



US00D513549S

(12) **United States Design Patent**
Schuster

(10) **Patent No.:** **US D513,549 S**
(45) **Date of Patent:** **** Jan. 10, 2006**

(54) **DEVICE FOR FILLING A BAG WITH PACKING MATERIALS**

2,827,931 A * 3/1958 Melvin 141/331
3,818,956 A * 6/1974 Chamberlain 248/99
4,485,855 A * 12/1984 Dillingham 248/99
5,259,426 A * 11/1993 Burleigh et al. 141/98

(75) Inventor: **Allen P. Schuster**, Fort Worth, TX (US)

* cited by examiner

(73) Assignee: **Doc Allen's Tool, Ltd.**, Fort Worth, TX (US)

Primary Examiner—Terry A. Wallace

(**) Term: **14 Years**

(74) *Attorney, Agent, or Firm*—Charles D. Gunter, Jr.

(21) Appl. No.: **29/209,088**

(57) **CLAIM**

(22) Filed: **Jul. 9, 2004**

The ornamental design for a device for filling a bag with packing materials, as shown and described.

(51) **LOC (8) Cl.** **09-09**

DESCRIPTION

(52) **U.S. Cl.** **D34/1; D7/700**

(58) **Field of Classification Search** **D7/700;**

D34/1, 10; D8/1; D15/150; D23/200; 248/95–101;
294/1.1, 55; 141/108, 316, 390, 95, 98, 297–300,
141/331–345

See application file for complete search history.

FIG. 1 is a front, perspective view of the device of the invention;

FIG. 2 is a side view of the device of FIG. 1, all other sides being symmetrical;

FIG. 3 is a top view of the device of FIG. 1;

FIG. 4 is a bottom view of the device of FIG. 1; and,

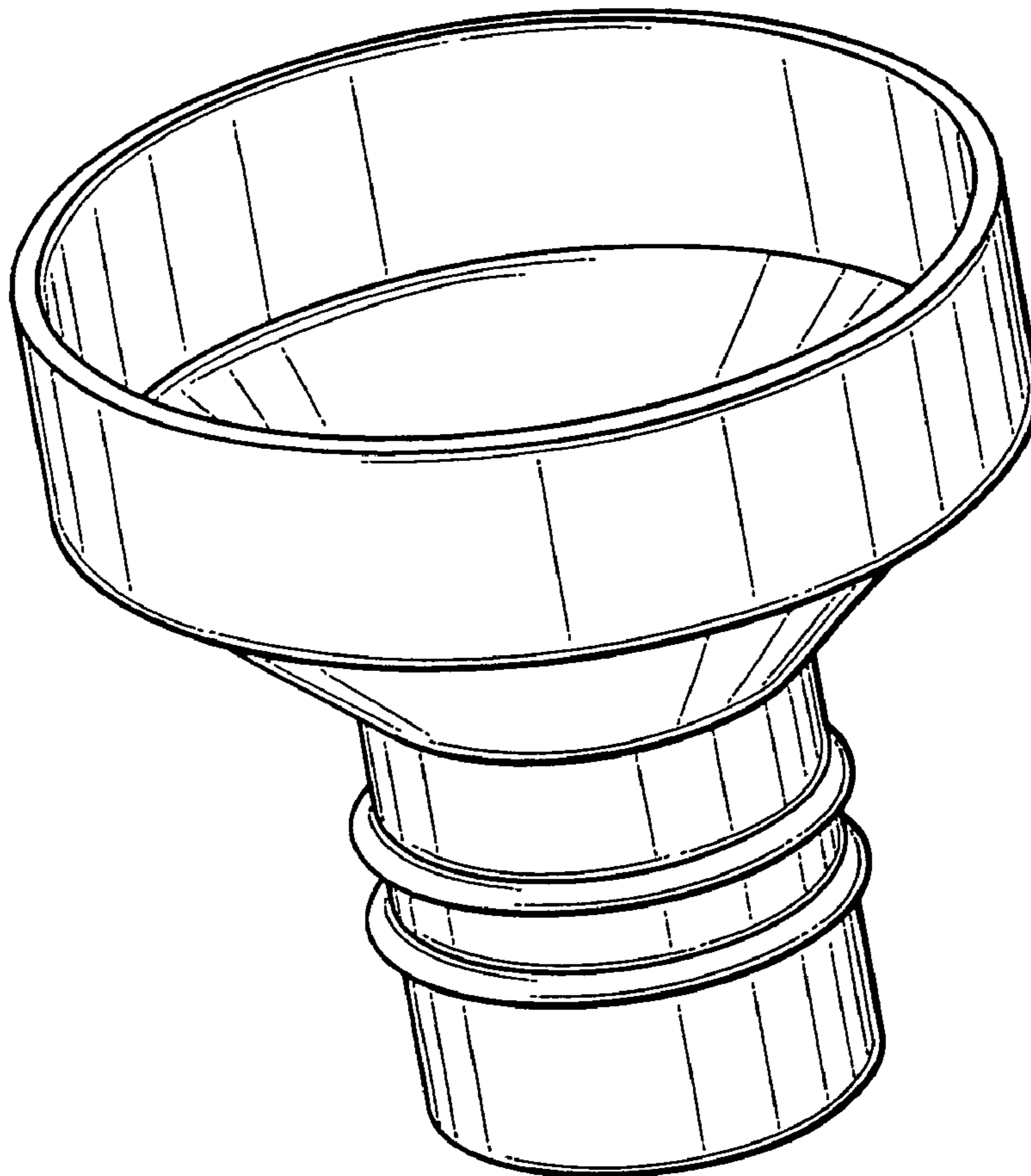
FIG. 5 is a perspective view of the device of the invention in place on a garbage bag showing its intended use, the garbage bag being shown in phantom lines and not forming a part of the invention.

(56) **References Cited**

U.S. PATENT DOCUMENTS

435,638 A * 9/1890 Barnes 141/341
645,199 A * 3/1900 Brooks 248/97
1,662,147 A * 3/1928 Farden 141/339

1 Claim, 2 Drawing Sheets



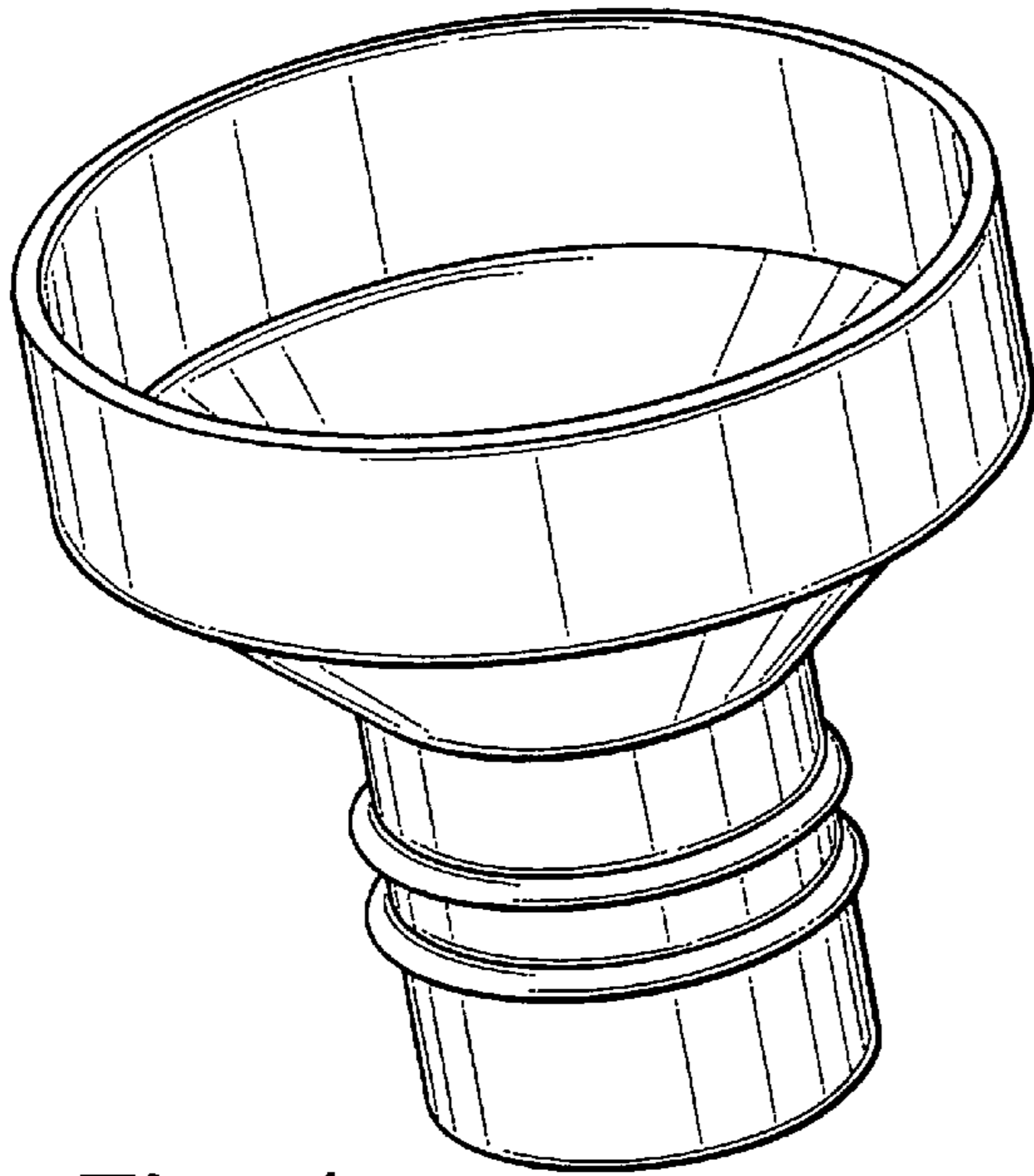


Fig. 1

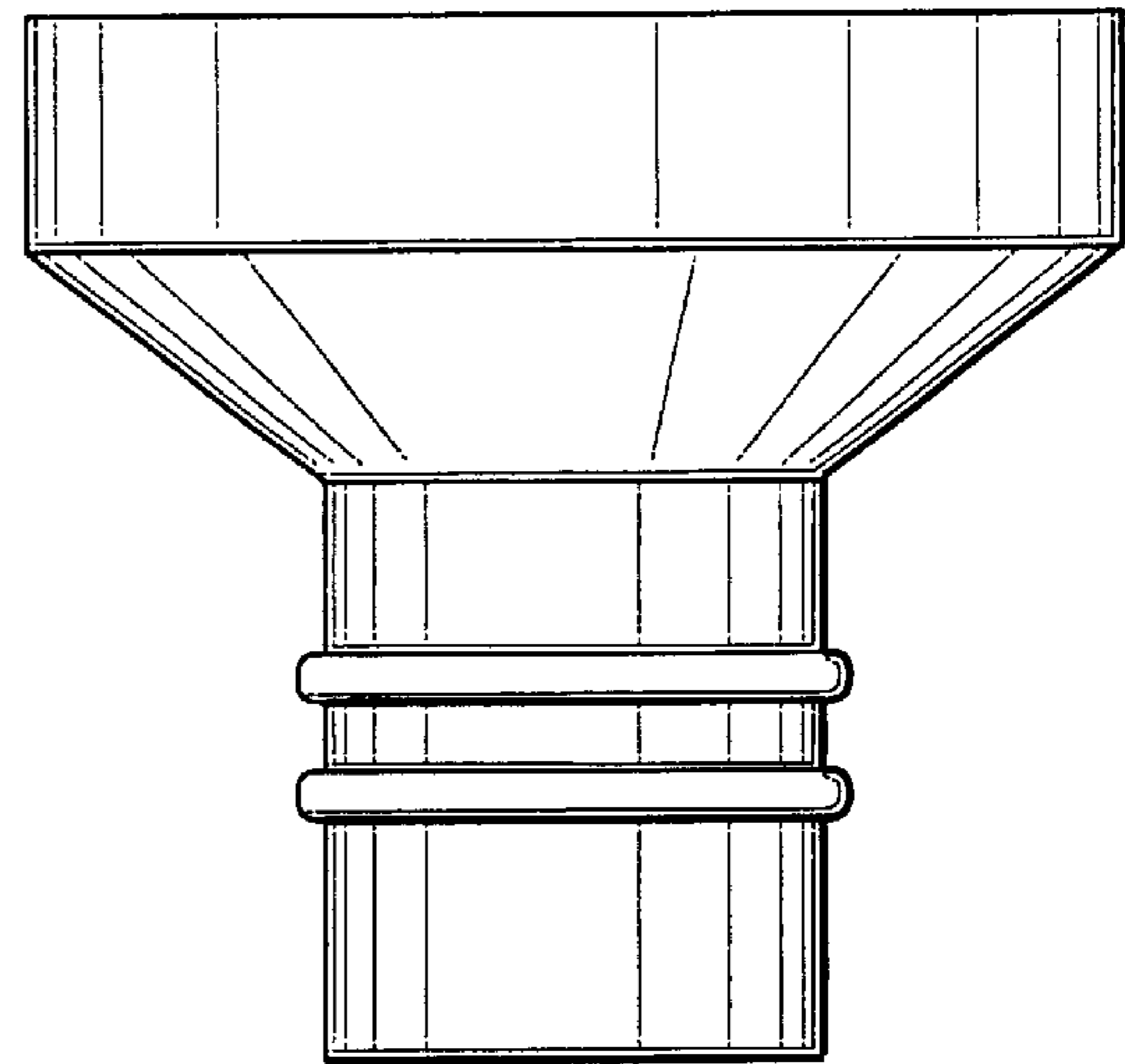


Fig. 2

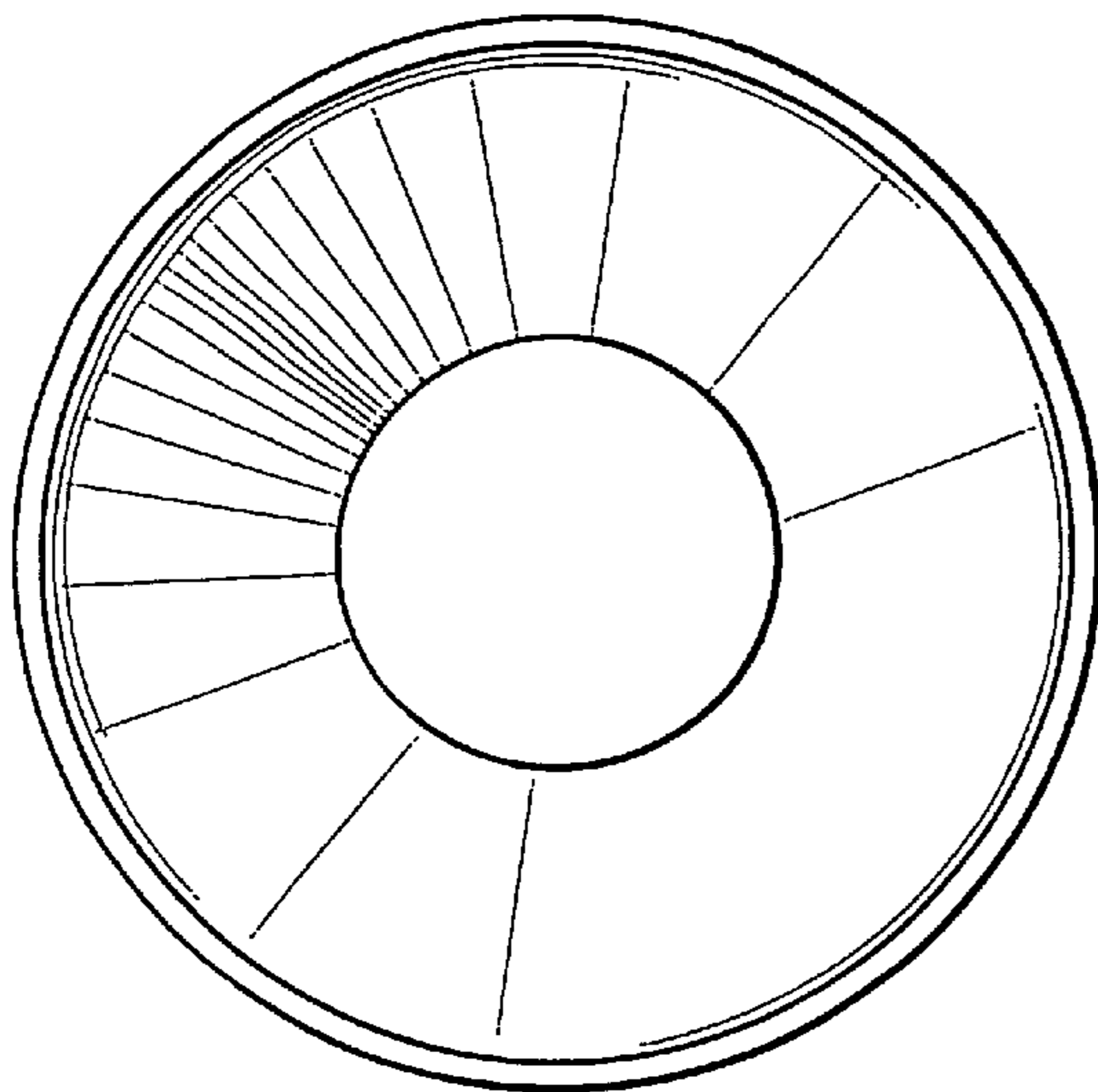


Fig. 3

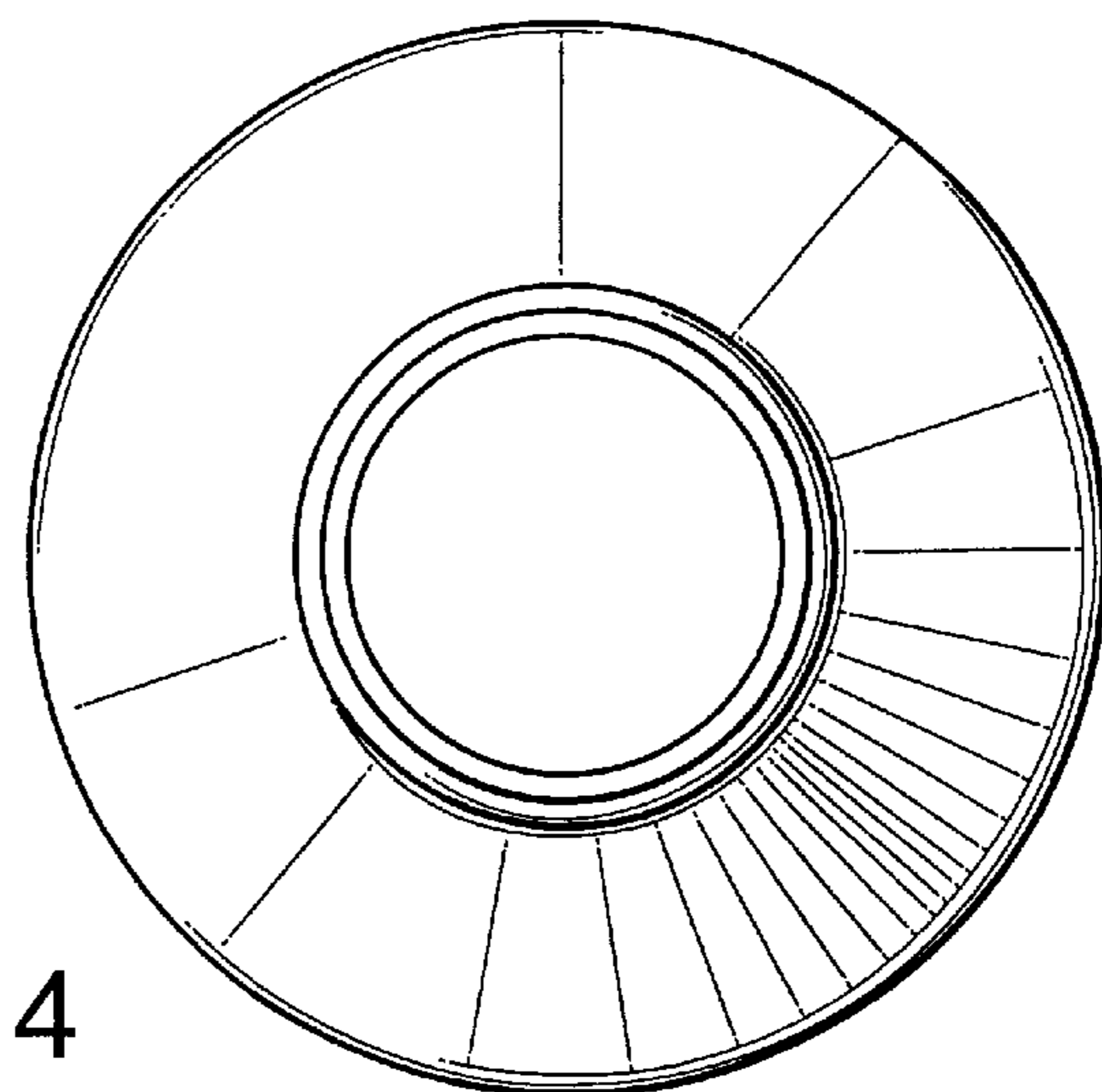


Fig. 4



Fig. 5