



US00D513548S

(12) **United States Design Patent**
Jeong

(10) **Patent No.:** **US D513,548 S**
(45) **Date of Patent:** **** Jan. 10, 2006**

(54) **DISH-WASHING MACHINE**

D495,102 S * 8/2004 Kaczmarek D32/3
D501,963 S * 2/2005 Kaczmarek D32/3

(75) Inventor: **Sang Moon Jeong**, Gyeonggi-do (KR)

* cited by examiner

(73) Assignee: **LG Electronics Inc.**, Seoul (KR)

Primary Examiner—Robert A. Delehanty
(74) *Attorney, Agent, or Firm*—Birch Stewart Kolasch & Birch LLP

(**) Term: **14 Years**

(21) Appl. No.: **29/212,833**

(57) **CLAIM**

(22) Filed: **Sep. 9, 2004**

The ornamental design for a dish-washing machine, as shown and described.

(30) **Foreign Application Priority Data**

Mar. 11, 2004 (KR) 30-2004-0006841

DESCRIPTION

(51) **LOC (8) Cl.** **15-05**

(52) **U.S. Cl.** **D32/2**

(58) **Field of Classification Search** D32/2-3,
D32/28; D7/348-349, 405-406; 134/113,
134/201; 312/31

FIG. 1 is a perspective view of a dish-washing machine showing my new design;
FIG. 2 is a front view thereof;
FIG. 3 is a rear view thereof;
FIG. 4 is a left side view thereof where the right side view is a mirror image;
FIG. 5 is a top plan view thereof; and,
FIG. 6 is a bottom plan view thereof.

See application file for complete search history.

(56) **References Cited**

U.S. PATENT DOCUMENTS

5,365,959 A * 11/1994 Favaro 134/113

1 Claim, 5 Drawing Sheets

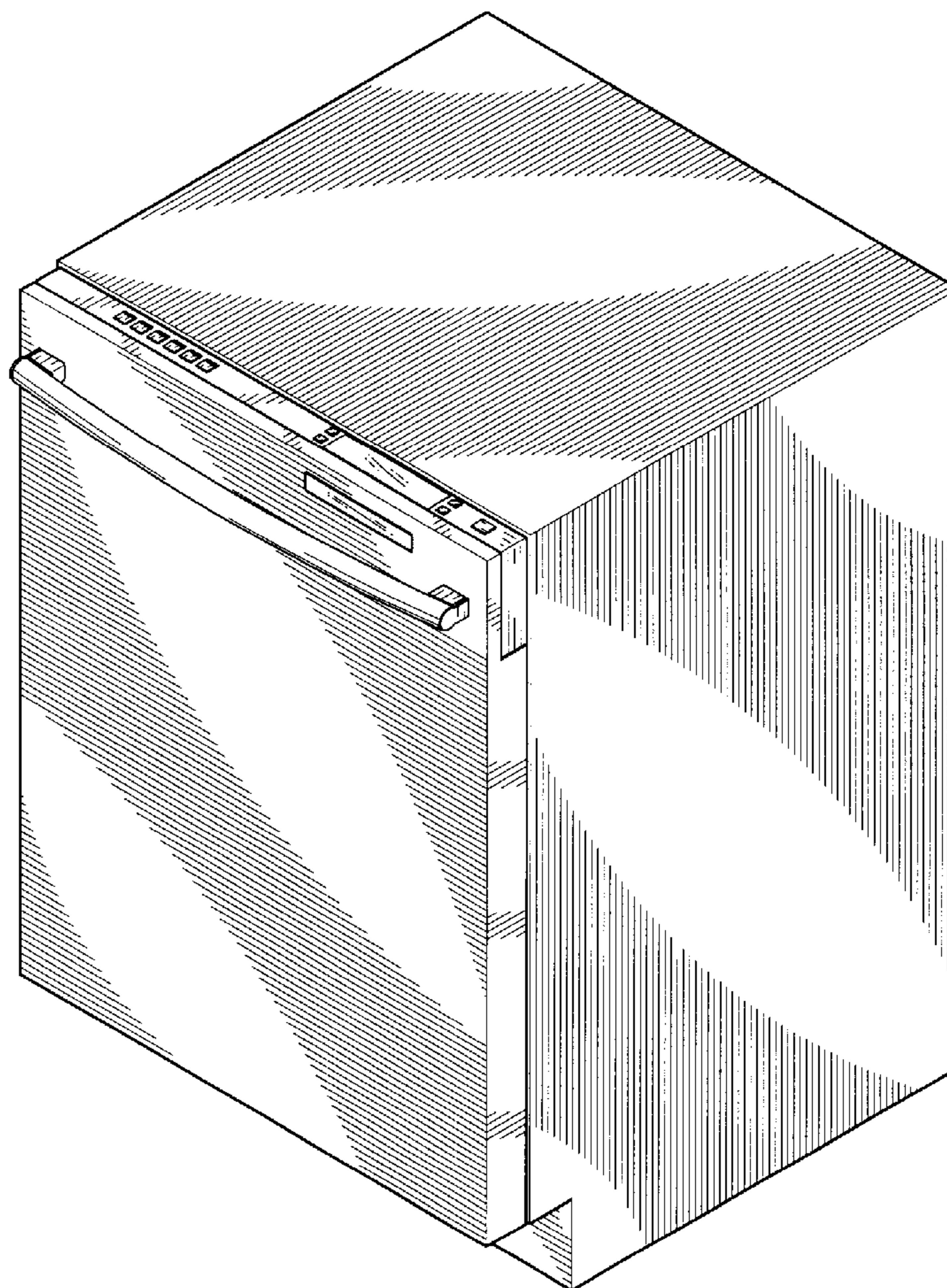


FIG. 1

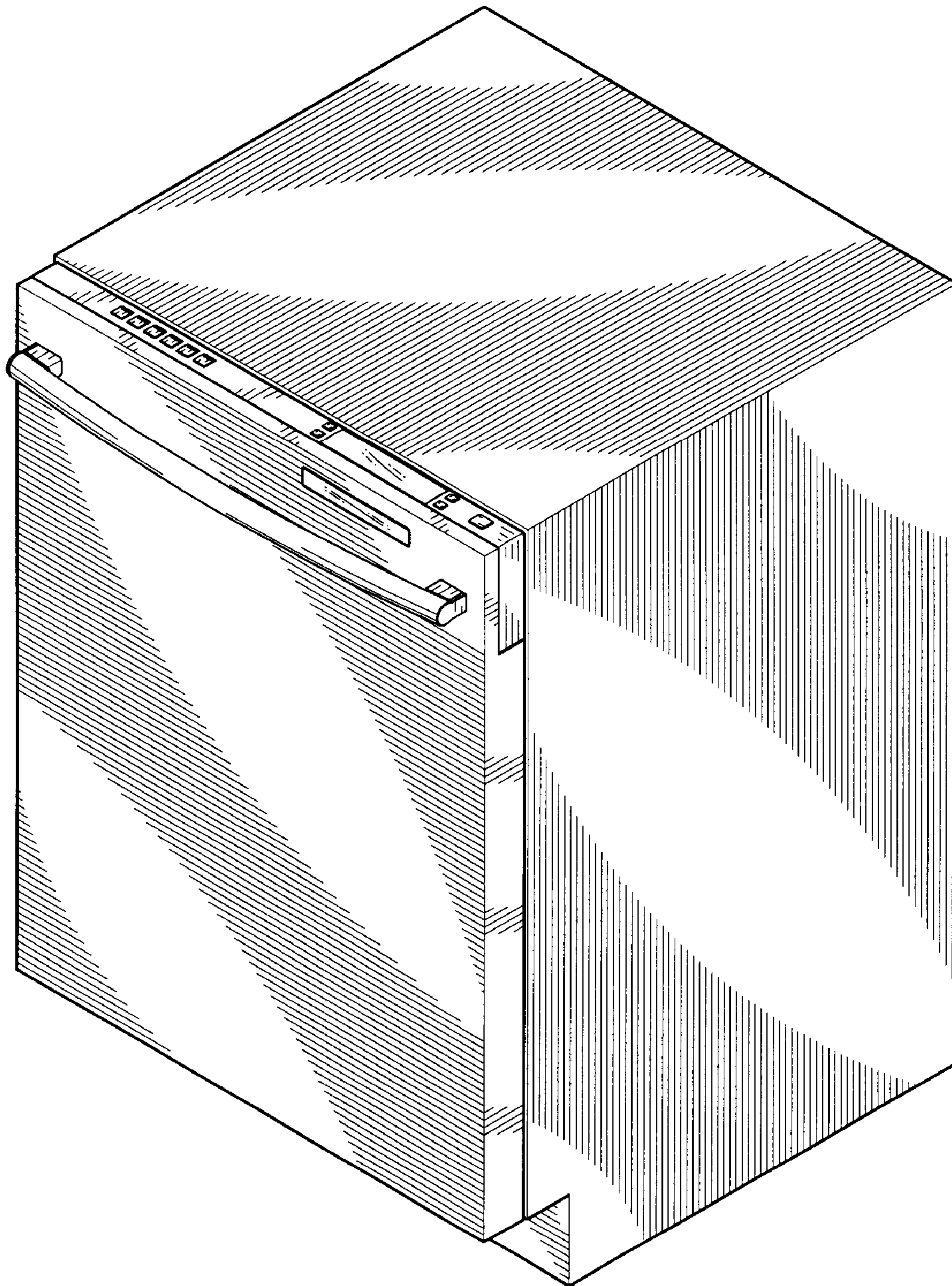


FIG. 2

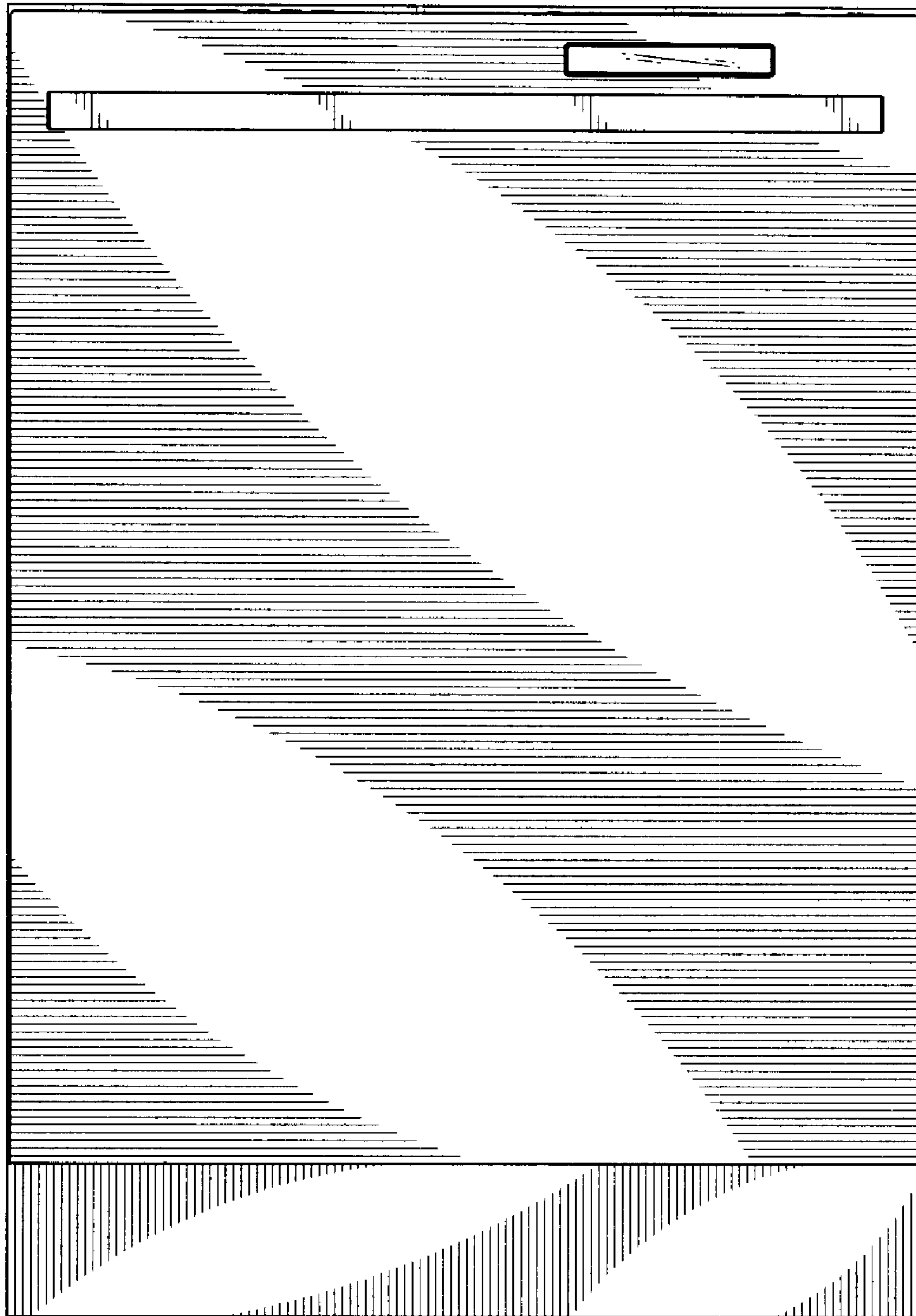


FIG. 3

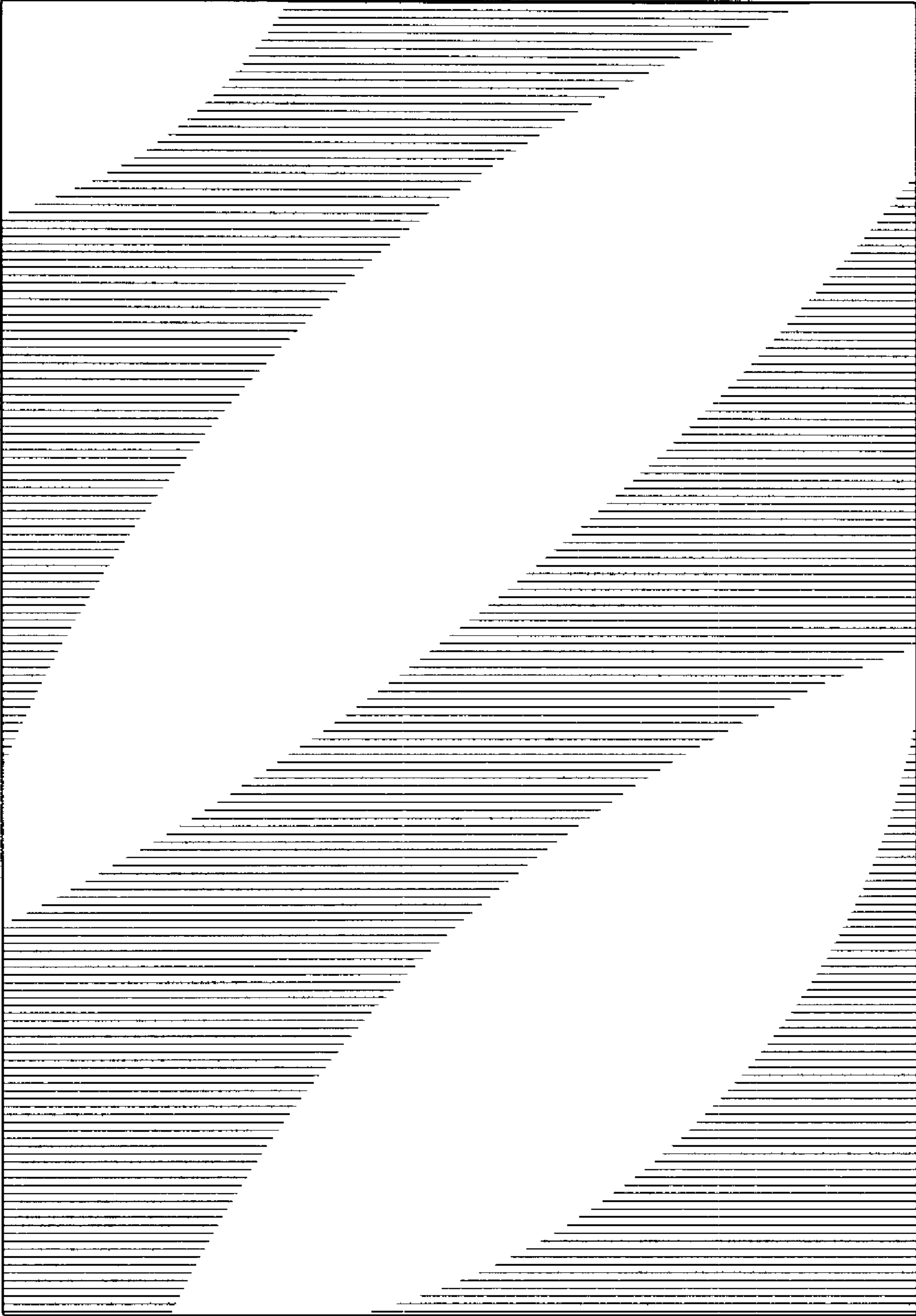


FIG. 4

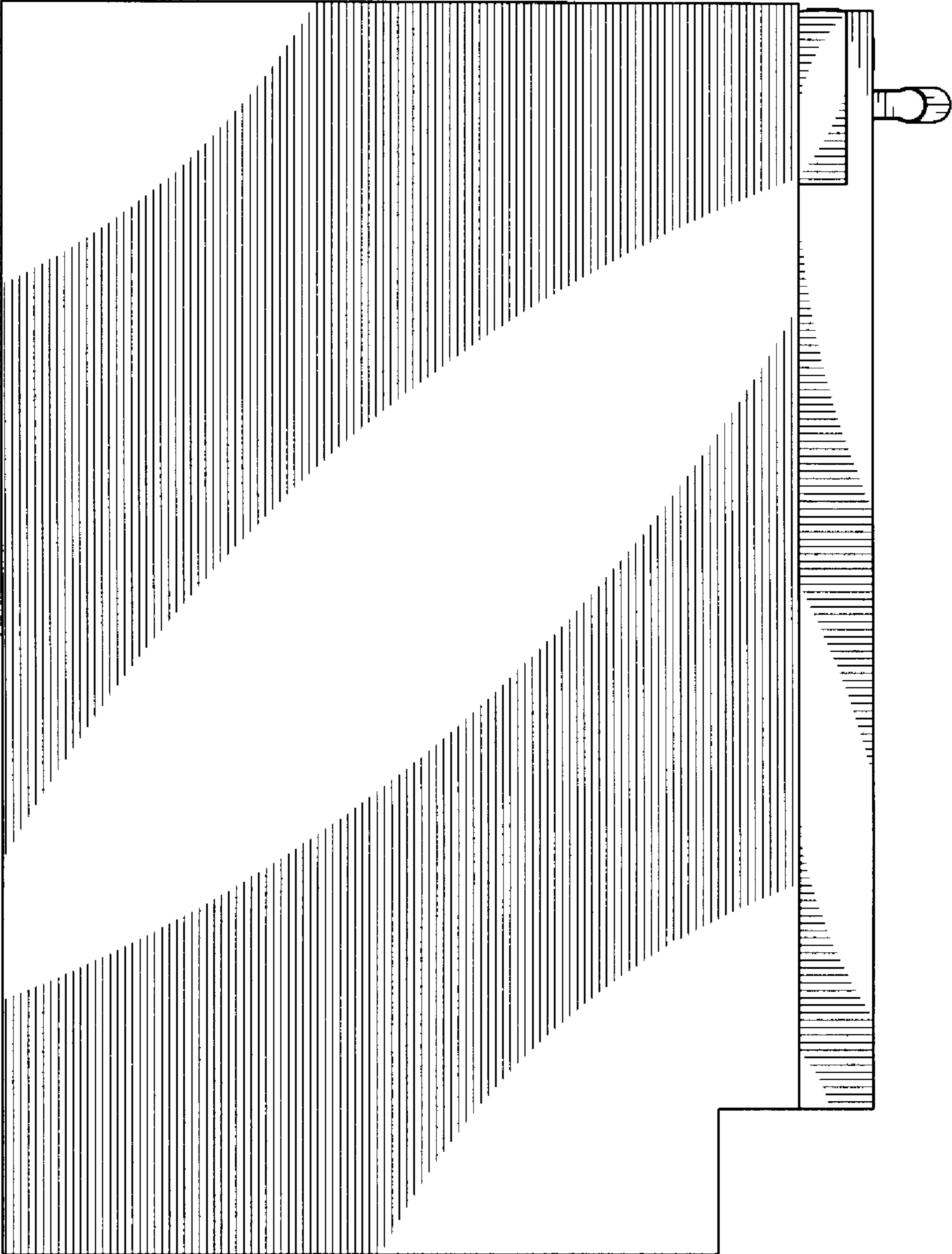


FIG. 5

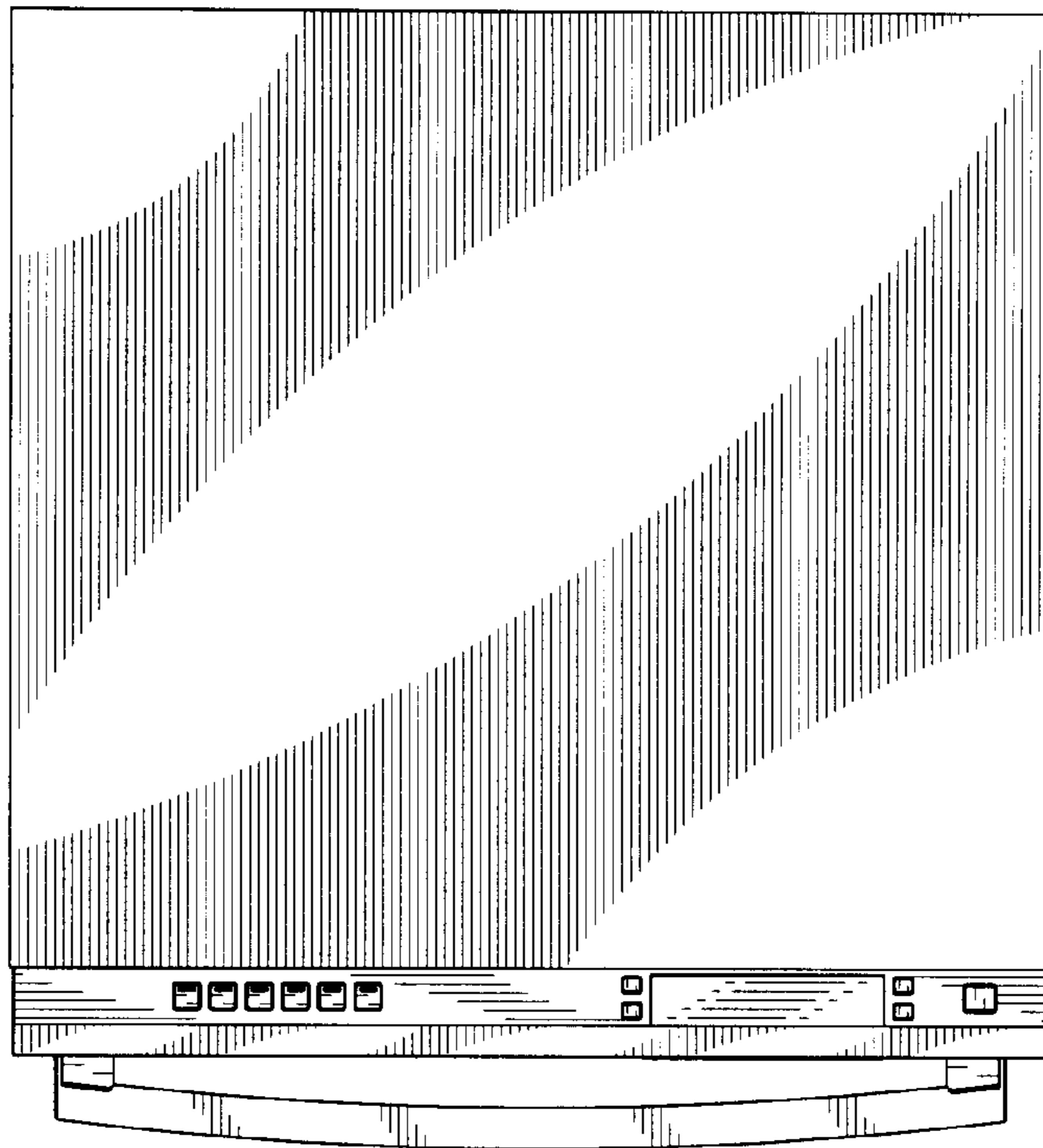


FIG. 6

