

US00D513546S

(12) **United States Design Patent**  
**Comerford**

(10) **Patent No.:** **US D513,546 S**  
(45) **Date of Patent:** **\*\* Jan. 10, 2006**

(54) **CAT TOY**

(76) **Inventor:** **Paul H. Comerford**, 38073 Augusta Dr., Murrieta, CA (US) 92563

(\*\*) **Term:** **14 Years**

(21) **Appl. No.:** **29/198,559**

(22) **Filed:** **Jan. 30, 2004**

(51) **LOC (8) Cl.** ..... **30-99**

(52) **U.S. Cl.** ..... **D30/160**

(58) **Field of Classification Search** ..... D30/160, D30/199; D21/398, 406, 465-467, 476, 478-479, D21/662, 681-682, 707, 711-713; D24/206-208, D24/211; 119/700, 702, 707-711; 132/248-249, 132/268; 273/160; 446/85, 124, 227, 397; 473/143, 281, 422, 571, 575-576, 580, 596, 473/612, 614; 482/114; 601/118-120, 131, 601/139

See application file for complete search history.

(56) **References Cited**

**U.S. PATENT DOCUMENTS**

824,560 A	*	6/1906	Martin	.....	473/575
D183,484 S	*	9/1958	Gaston	.....	D21/479
2,960,794 A	*	11/1960	Johns	.....	473/614
4,011,674 A	*	3/1977	Jacobson	.....	40/426
4,294,447 A	*	10/1981	Clark	.....	473/575

D318,150 S	*	7/1991	Eitel et al.	.....	D30/160
5,045,014 A	*	9/1991	Harkins	.....	D30/160
5,148,769 A	*	9/1992	Zelinger	.....	119/708
5,162,011 A	*	11/1992	Frisque	.....	446/397
D366,679 S	*	1/1996	Clements	.....	D30/160
5,575,241 A	*	11/1996	Line	.....	119/708
5,634,436 A	*	6/1997	Coombs et al.	.....	119/707
5,813,931 A	*	9/1998	Gormley	.....	473/575
D411,357 S	*	6/1999	Baiera et al.	.....	D30/160
6,705,960 B2	*	3/2004	Gormley	.....	473/575
D496,408 S	*	9/2004	Kessler	.....	D21/466

\* cited by examiner

*Primary Examiner*—Cathy Anne MacCormac  
(74) *Attorney, Agent, or Firm*—Loyal McKinley Hanson

(57) **CLAIM**

I claim the ornamental design for a cat toy, as shown.

**DESCRIPTION**

FIG. 1 is a perspective view showing the front, top, and left side of a cat toy embodying the design of my invention; FIG. 2 is an elevation view of the right side; FIG. 3 is an elevation view of the back; FIG. 4 is a plan view of the bottom; and, FIG. 5 is a perspective view of a second embodiment of FIG. 1 that includes eye-simulating graphics, ear-simulating graphics, and whiskers-simulating graphics.

**1 Claim, 3 Drawing Sheets**

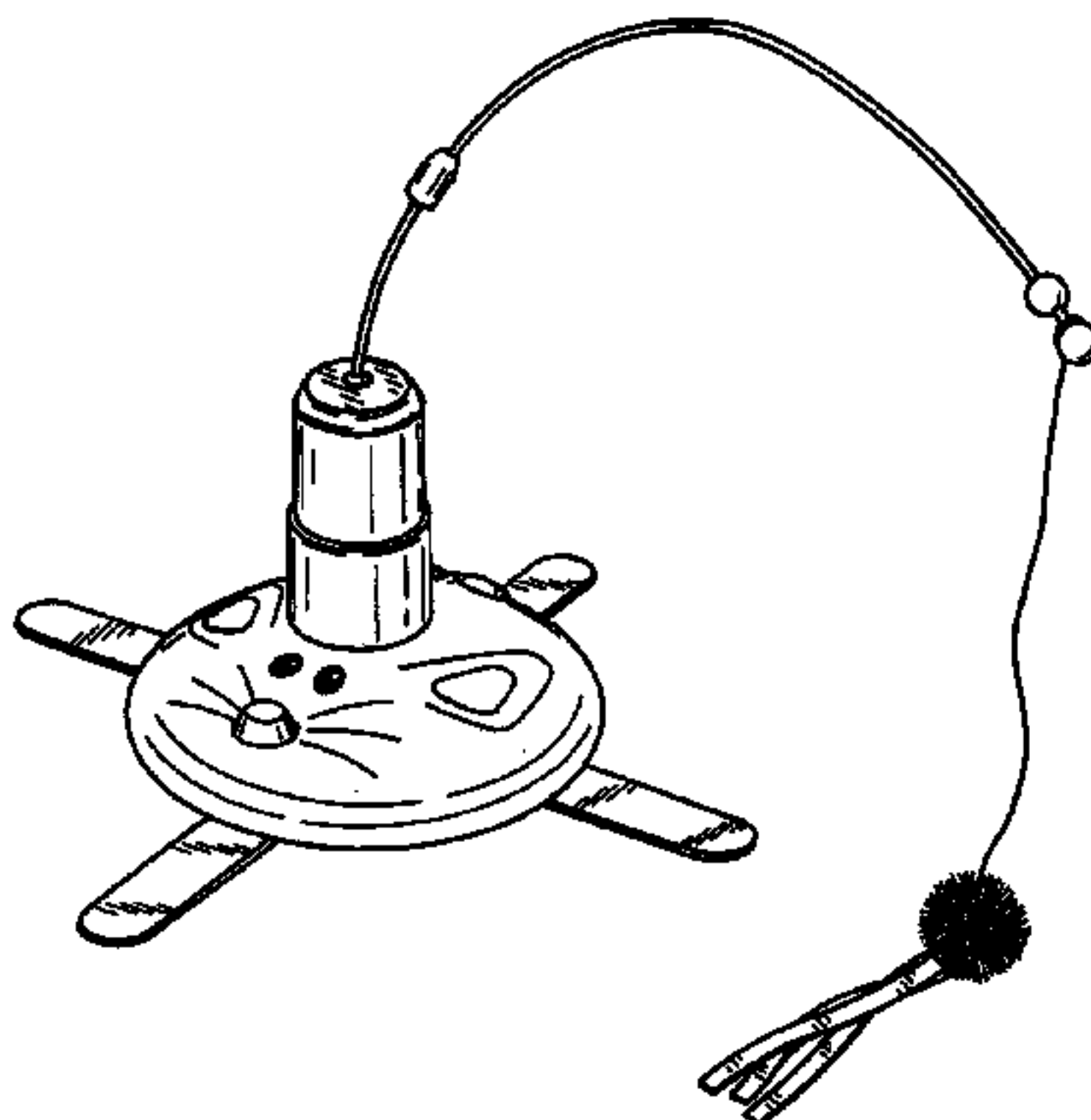
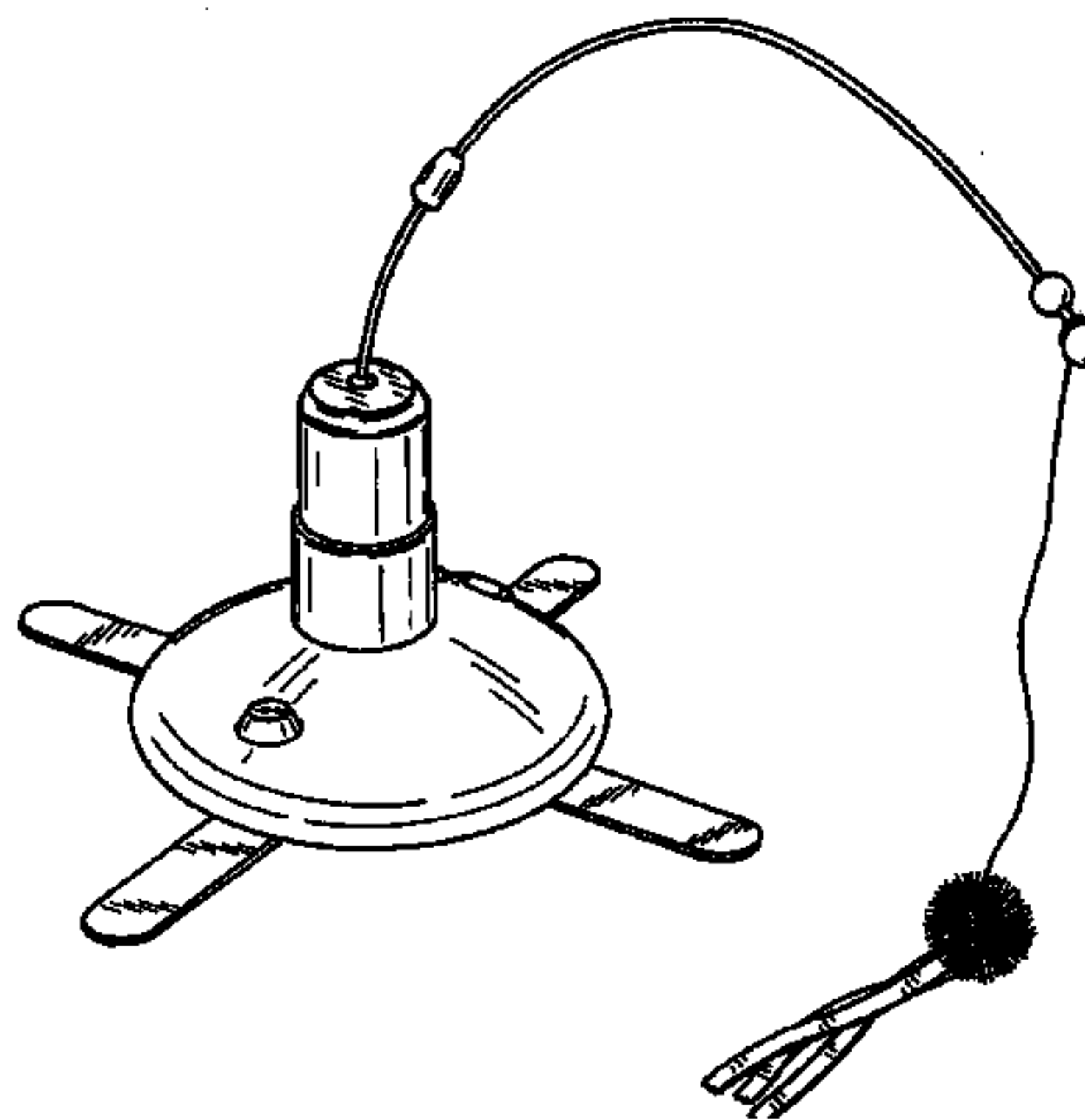


Fig. 1

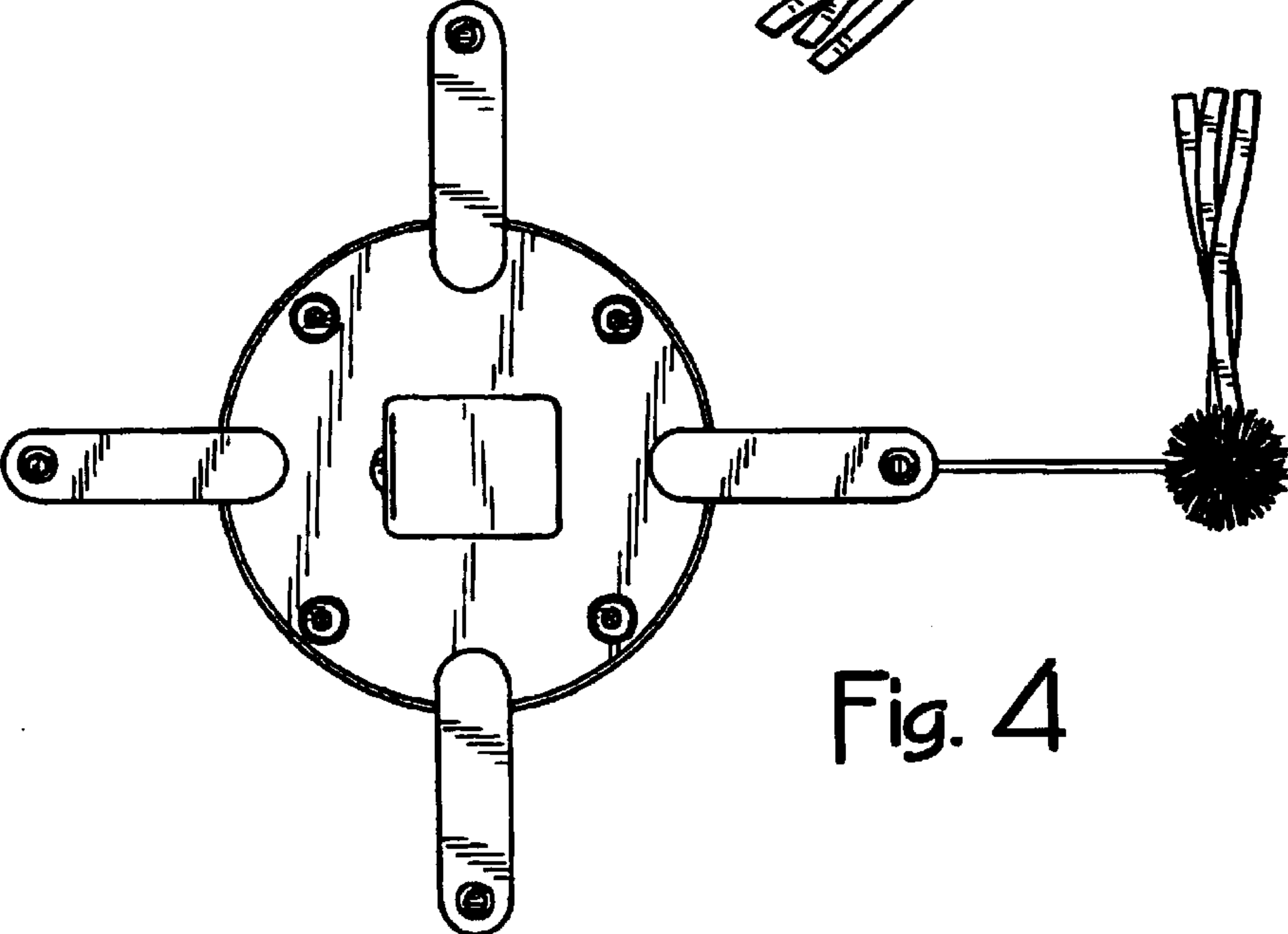
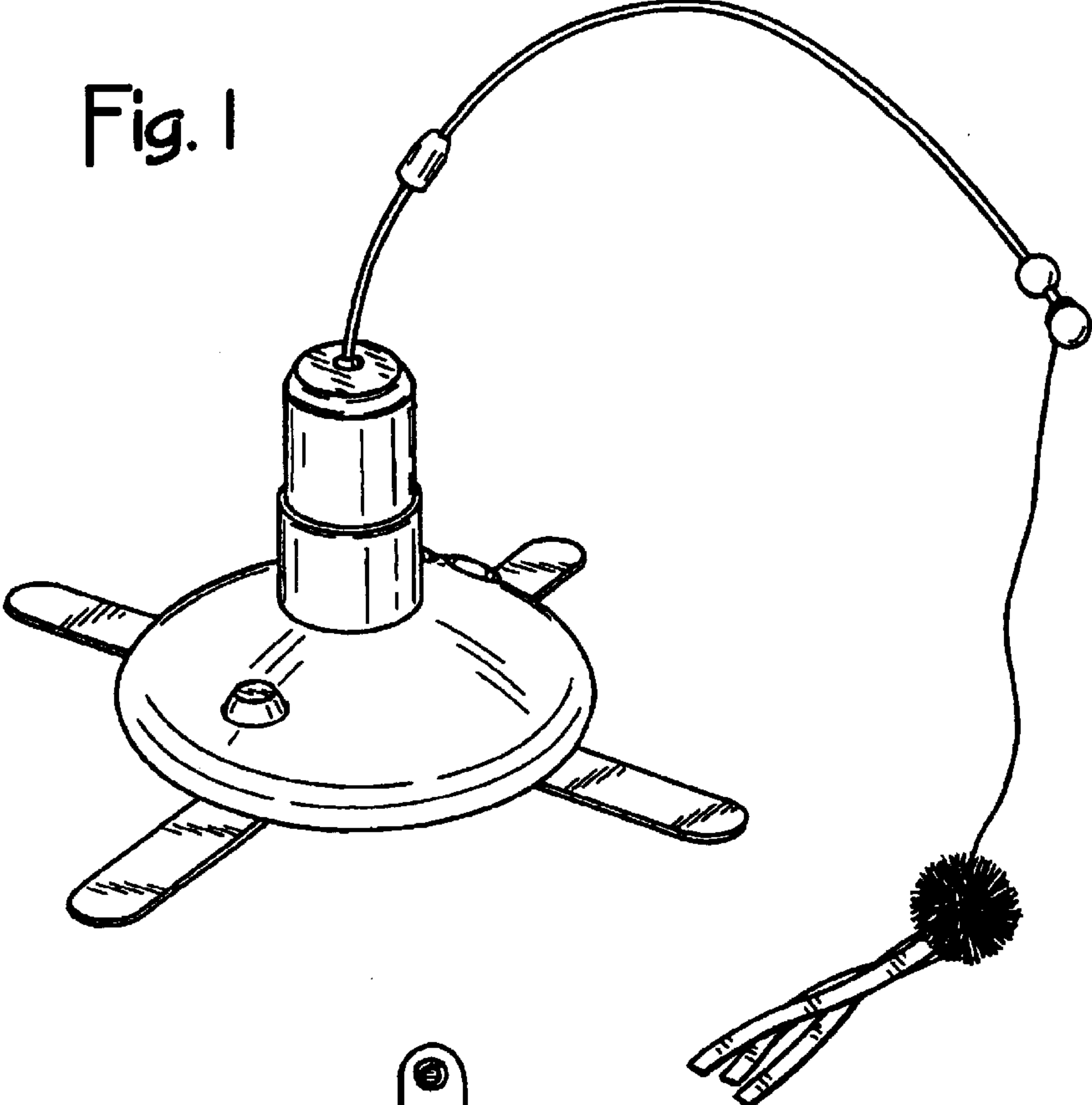


Fig. 4

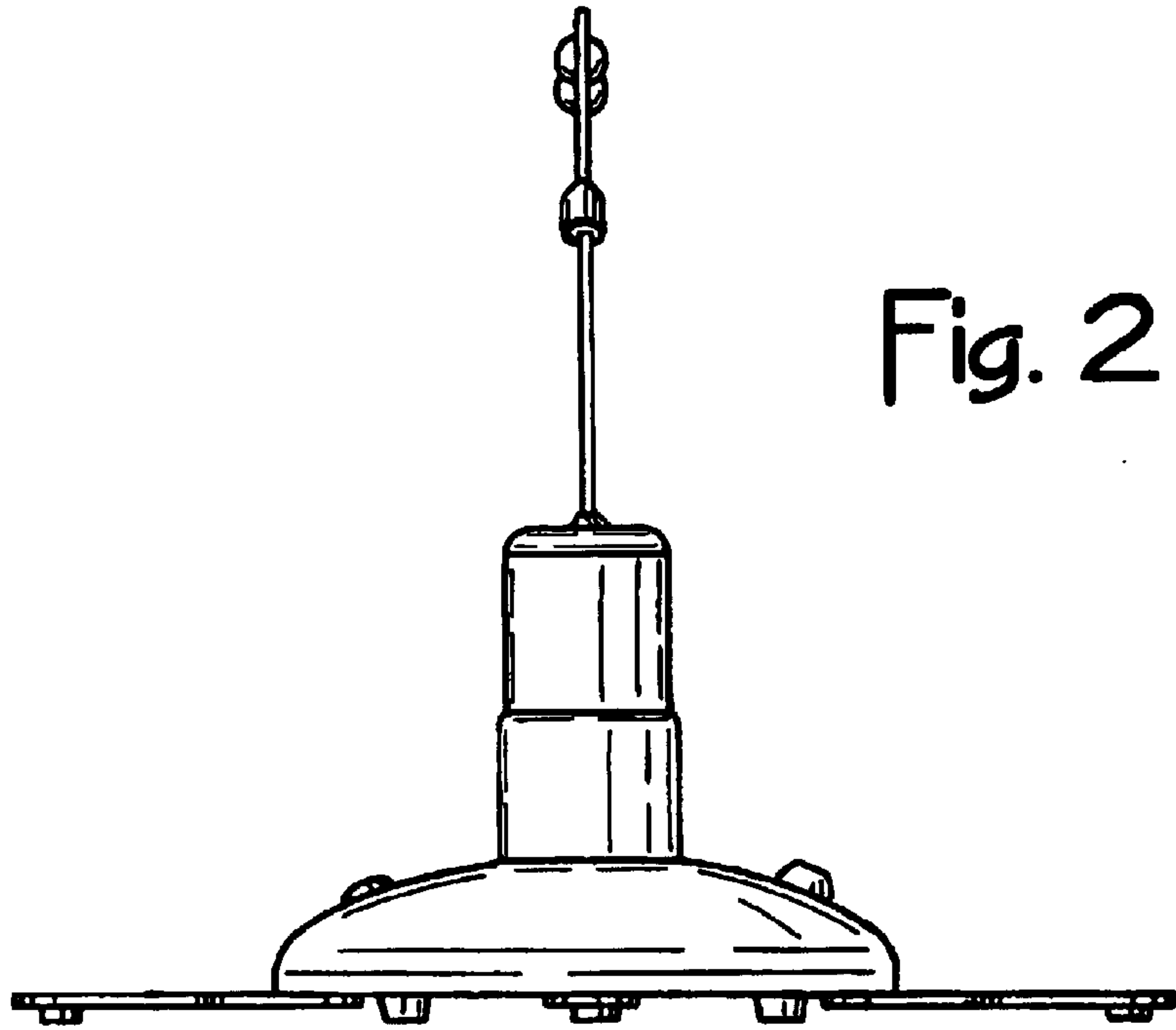


Fig. 2

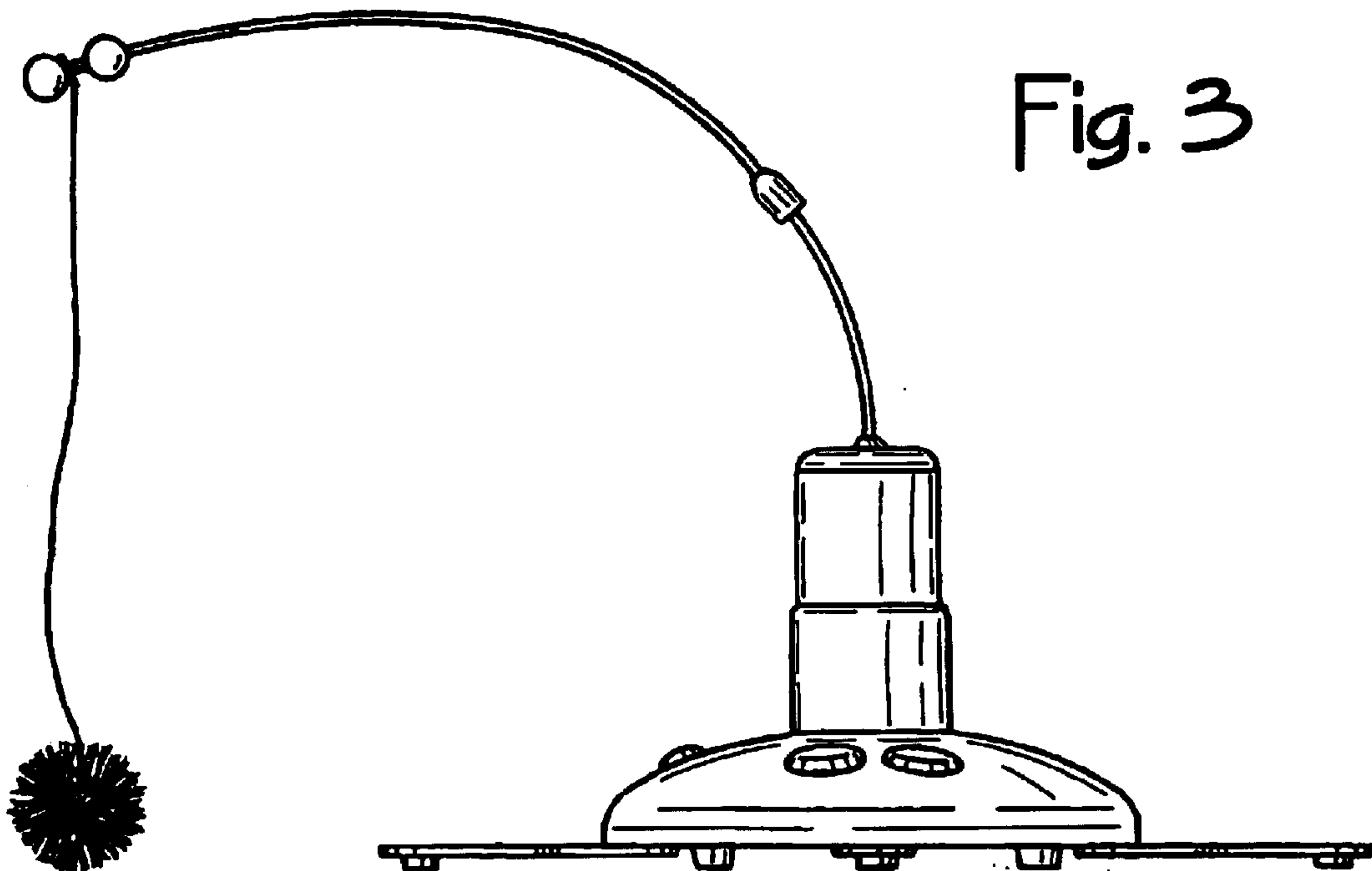


Fig. 3

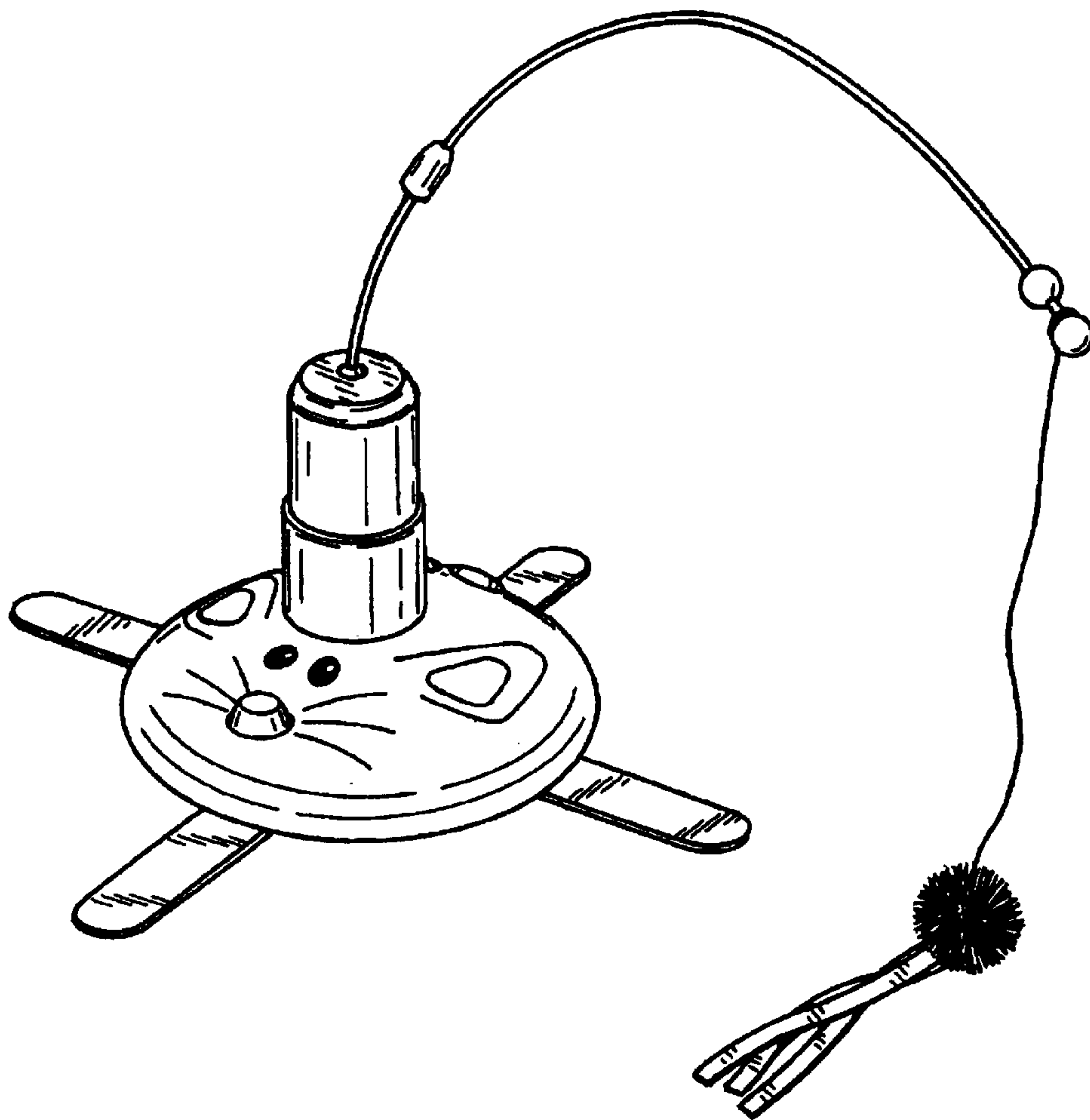


Fig. 5