



US00D513544S

(12) **United States Design Patent** (10) **Patent No.:** **US D513,544 S**  
**Weyand** (45) **Date of Patent:** **\*\* Jan. 10, 2006**

(54) **COMBINATION BIT**  
(75) **Inventor:** **Daniel J. Weyand**, Shadow Hills, CA (US)  
(73) **Assignee:** **Mikmar Bit Company L.L.C.**, Shadow Hills, CA (US)  
(\*\*) **Term:** **14 Years**

3,478,493 A 11/1969 Welton  
3,751,877 A 8/1973 Morgan  
D231,621 S 5/1974 Mitchel  
3,831,345 A \* 8/1974 Stubblefield ..... 54/6.1  
4,063,404 A 12/1977 Taylor  
D252,163 S 6/1979 Johnson  
4,274,246 A 6/1981 Stewart  
4,884,390 A 12/1989 Benjak et al.  
5,062,255 A 11/1991 Myler et al.  
D328,657 S \* 8/1992 Steele ..... D30/136  
D379,685 S \* 6/1997 Cooke ..... D30/138

(21) **Appl. No.:** **29/207,158**  
(22) **Filed:** **Jun. 8, 2004**

**Related U.S. Application Data**

(62) Division of application No. 29/194,040, filed on Nov. 17, 2003.  
(51) **LOC (8) Cl.** ..... **30-04**  
(52) **U.S. Cl.** ..... **D30/136**  
(58) **Field of Classification Search** ..... D30/136-140;  
54/7-8, 6.1; D8/382  
See application file for complete search history.

(56) **References Cited**

**U.S. PATENT DOCUMENTS**

D3,609 S 8/1869 Hegeman Jr.  
D3,746 S 11/1869 Hoover  
D17,158 S 3/1887 Monier  
478,867 A 7/1892 James  
496,222 A 4/1893 Gilbert  
D31,306 S 8/1899 Callis  
1,130,638 A 3/1915 Schlueter  
1,140,971 A 5/1915 Falls  
2,012,705 A 8/1935 Bergen  
2,017,021 A 10/1935 Tepper  
2,193,451 A 3/1940 Fryer  
2,413,426 A 12/1946 Askin  
2,448,276 A 8/1948 Ray  
D151,625 S 11/1948 Kelly  
2,460,912 A 2/1949 Wagner  
D156,125 S 11/1949 Kelly  
2,512,244 A 6/1950 De Wolfe  
2,669,817 A 2/1954 O'Donnell  
2,745,235 A 5/1956 Evans  
D193,351 S 8/1962 Kelly  
3,205,636 A 9/1965 Laningham

**OTHER PUBLICATIONS**

Horse bit design, Figure 1.  
Horse bit design, Figure 2.  
Horse bit design, Figure 3.  
First horse bit design, Figures 1A-1F.  
Second horse bit design, Figures 2A-2F.  
Third horse bit design, Figures 3A-3F.

\* cited by examiner

*Primary Examiner*—Pamela Burgess  
(74) *Attorney, Agent, or Firm*—Kolisch Hartwell, P.C.

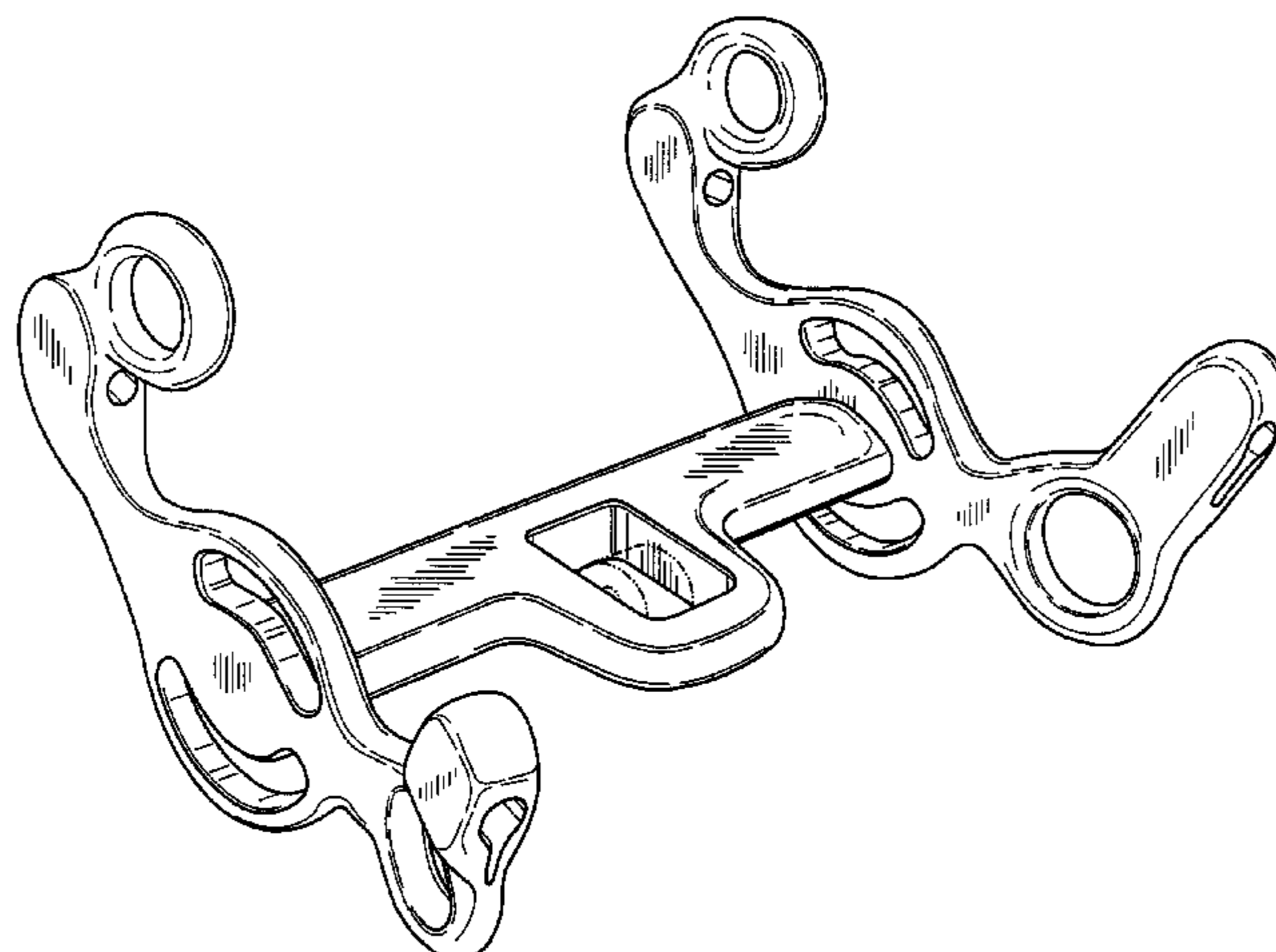
(57) **CLAIM**

I claim the ornamental design for a combination bit, as shown and described.

**DESCRIPTION**

FIG. 1 is a top right front perspective view of a combination bit showing an embodiment of my new design, the top left front perspective view being a mirror image thereof.  
FIG. 2 is a bottom plan view thereof.  
FIG. 3 is a top plan view thereof.  
FIG. 4 is a right side elevational view thereof, the left side elevational view being a mirror image thereof.  
FIG. 5 is a front elevational view thereof; and,  
FIG. 6 is a rear elevational view thereof.  
The broken or dashed lines shown in the drawings are for illustrative purposes only and form no part of the claimed design.  
The shading lines shown in the drawings represent the approximate three-dimensional contour of the design, and are not intended to indicate surface decoration.

**1 Claim, 3 Drawing Sheets**



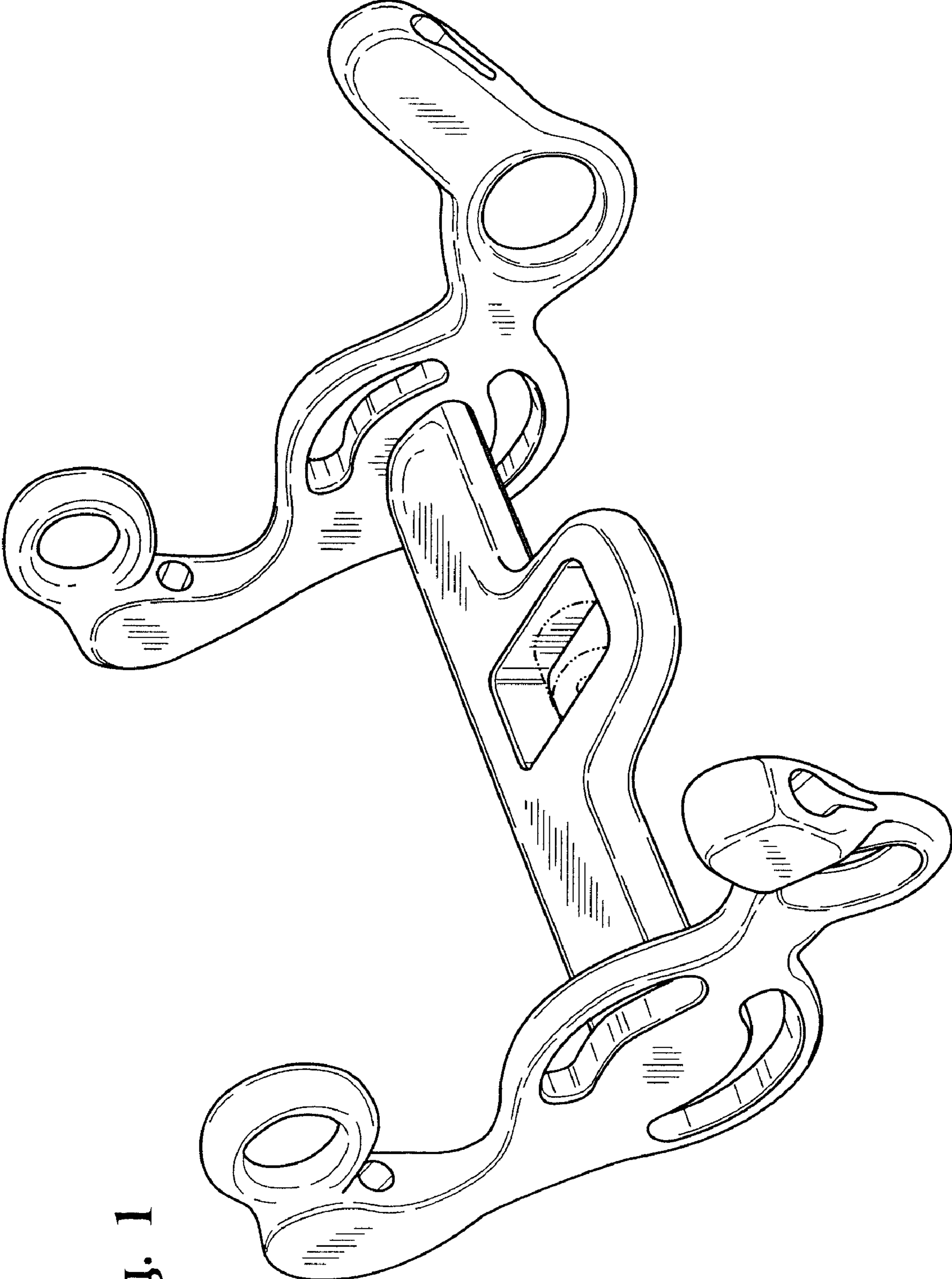


Fig. 1

Fig. 2

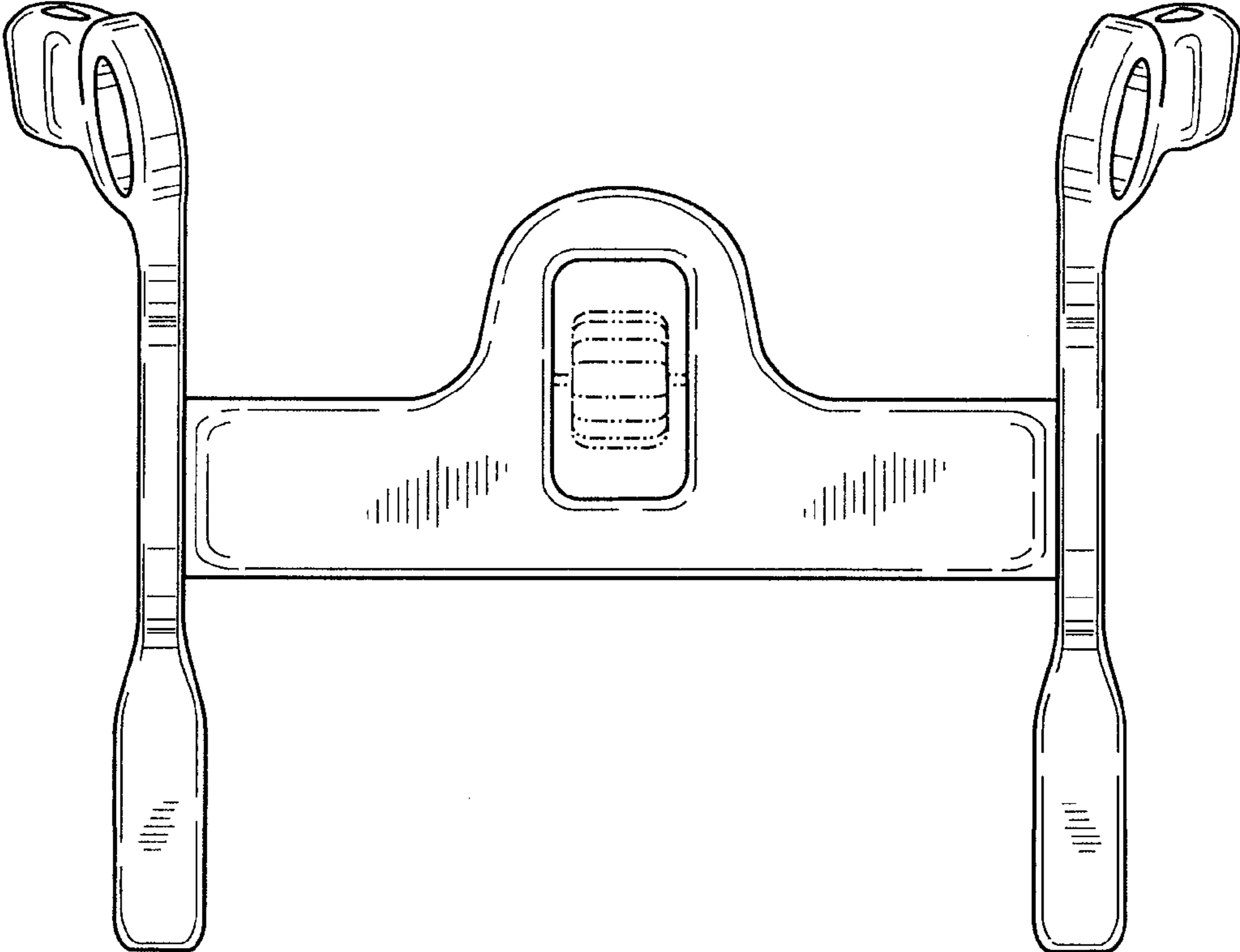


Fig. 3

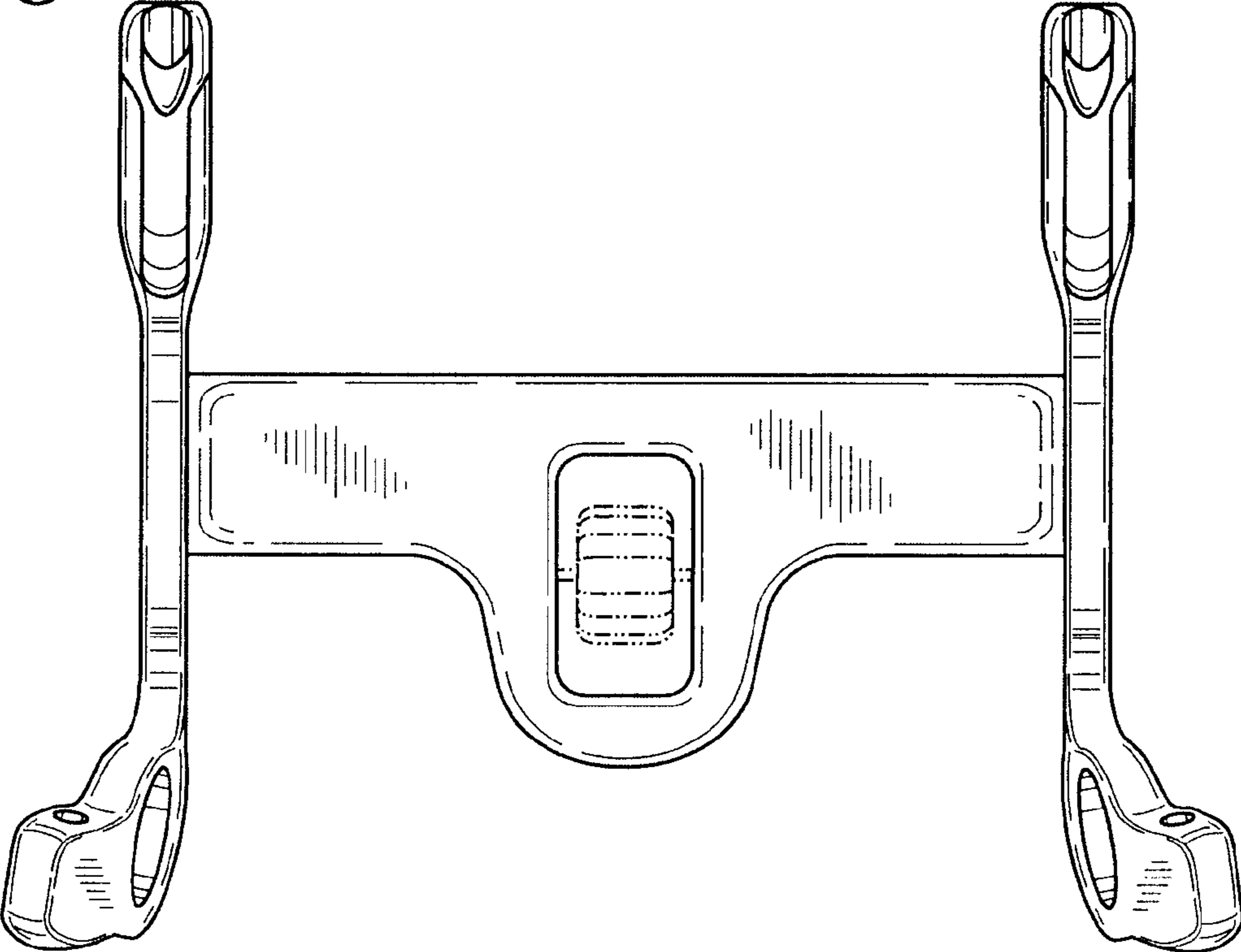


Fig. 4

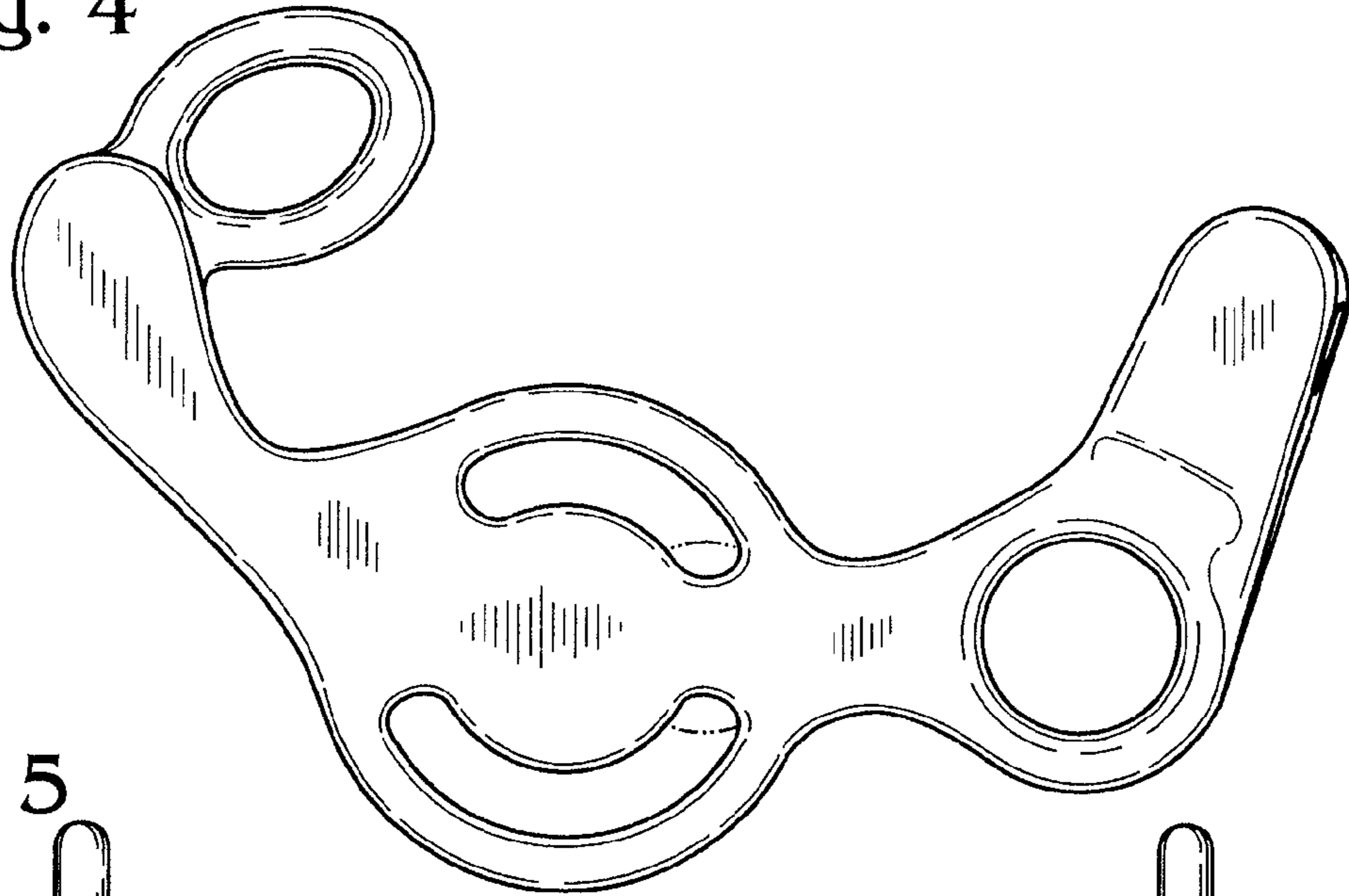


Fig. 5

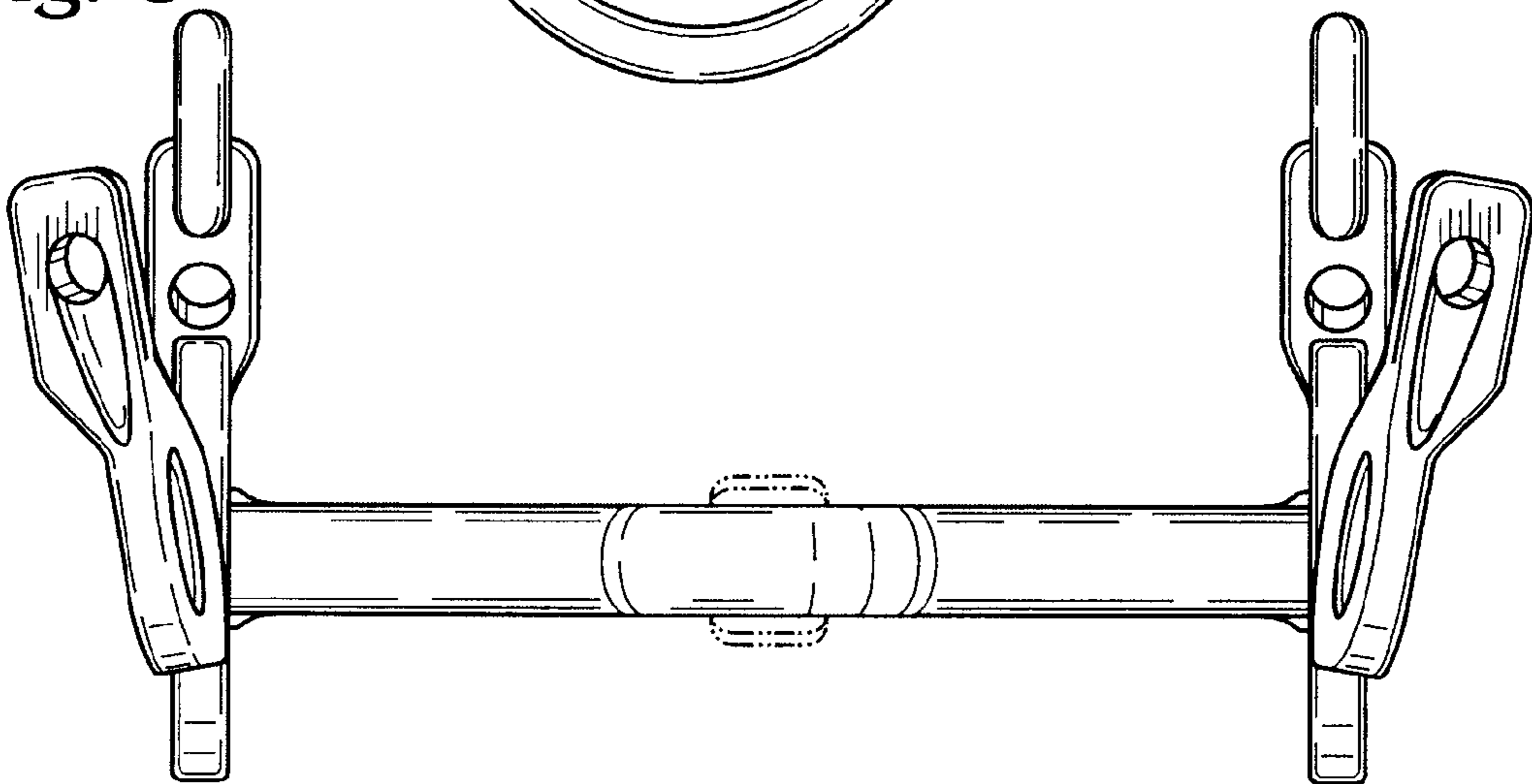


Fig. 6

