



US00D513540S

(12) **United States Design Patent**
Wonderley

(10) **Patent No.:** **US D513,540 S**
(45) **Date of Patent:** **** Jan. 10, 2006**

(54) **SURGICAL PREP RAZOR**

D467,387 S * 12/2002 Wonderley D28/45
D476,772 S * 7/2003 Wonderley D28/48

(75) Inventor: **Jeffrey W. Wonderley**, Fort Defiance,
VA (US)

* cited by examiner

(73) Assignee: **American Safety Razor Company**,
Verona, VA (US)

Primary Examiner—Jennifer Rivard
(74) *Attorney, Agent, or Firm*—McDermott Will & Emery
LLP

(**) Term: **14 Years**

(57) **CLAIM**

(21) Appl. No.: **29/208,665**

The ornamental design for a surgical prep razor, substan-
tially as shown and described.

(22) Filed: **Jul. 2, 2004**

DESCRIPTION

(51) **LOC (8) Cl.** **28-03**

(52) **U.S. Cl.** **D28/46; D24/133**

(58) **Field of Classification Search** D28/44–48;
606/131, 133; 30/32, 34.05, 34.2, 47, 48,
30/50, 41, 526, 527, 530, 532; D24/133

See application file for complete search history.

FIG. 1 is a front perspective view of the surgical prep razor
showing the new design;

FIG. 2 is a front view of the surgical prep razor;

FIG. 3 is a rear view of the surgical prep razor;

FIG. 4 is a side view of the surgical prep razor;

FIG. 5 is another side view of the surgical prep razor;

FIG. 6 is a top view of the surgical prep razor; and,

FIG. 7 is a bottom view of the surgical prep razor.

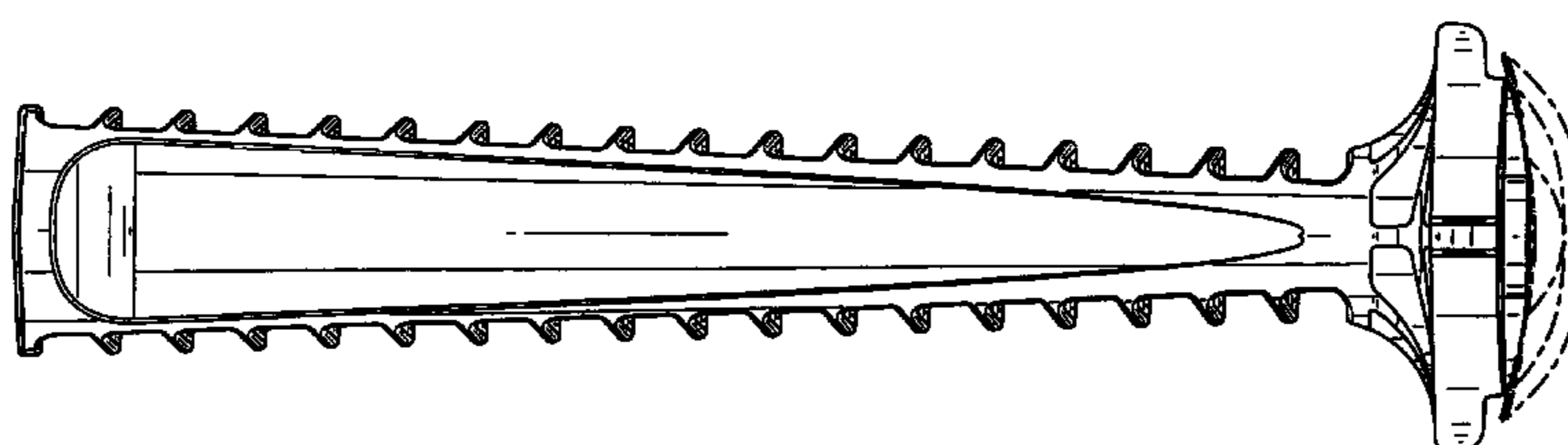
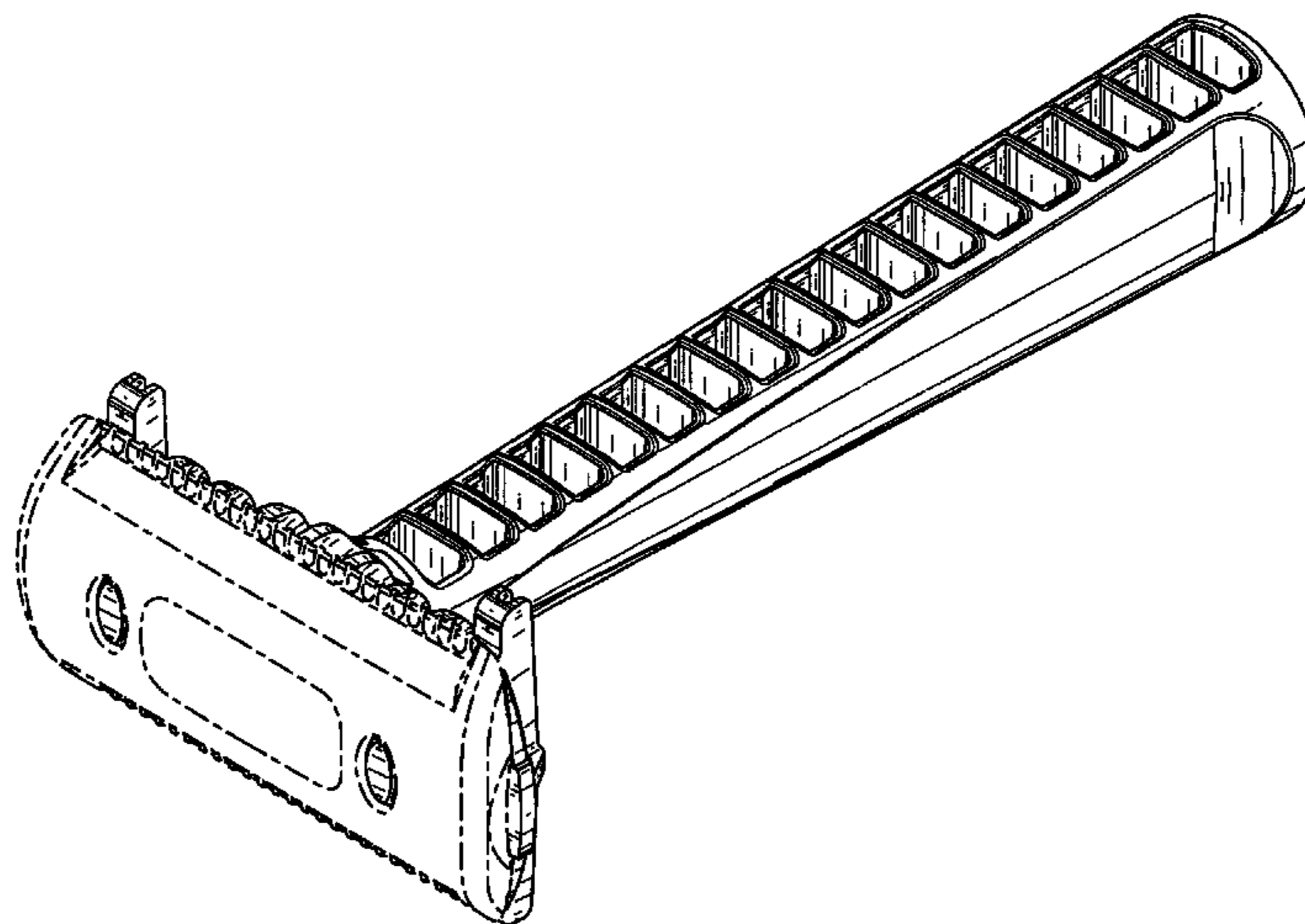
The broken lines are shown for illustrative purposes only
and form no part of the claimed design.

(56) **References Cited**

U.S. PATENT DOCUMENTS

3,583,262 A * 6/1971 Mullen 30/32
D224,481 S * 7/1972 Polsson D28/48
D248,578 S * 7/1978 Byrne D28/48

1 Claim, 6 Drawing Sheets



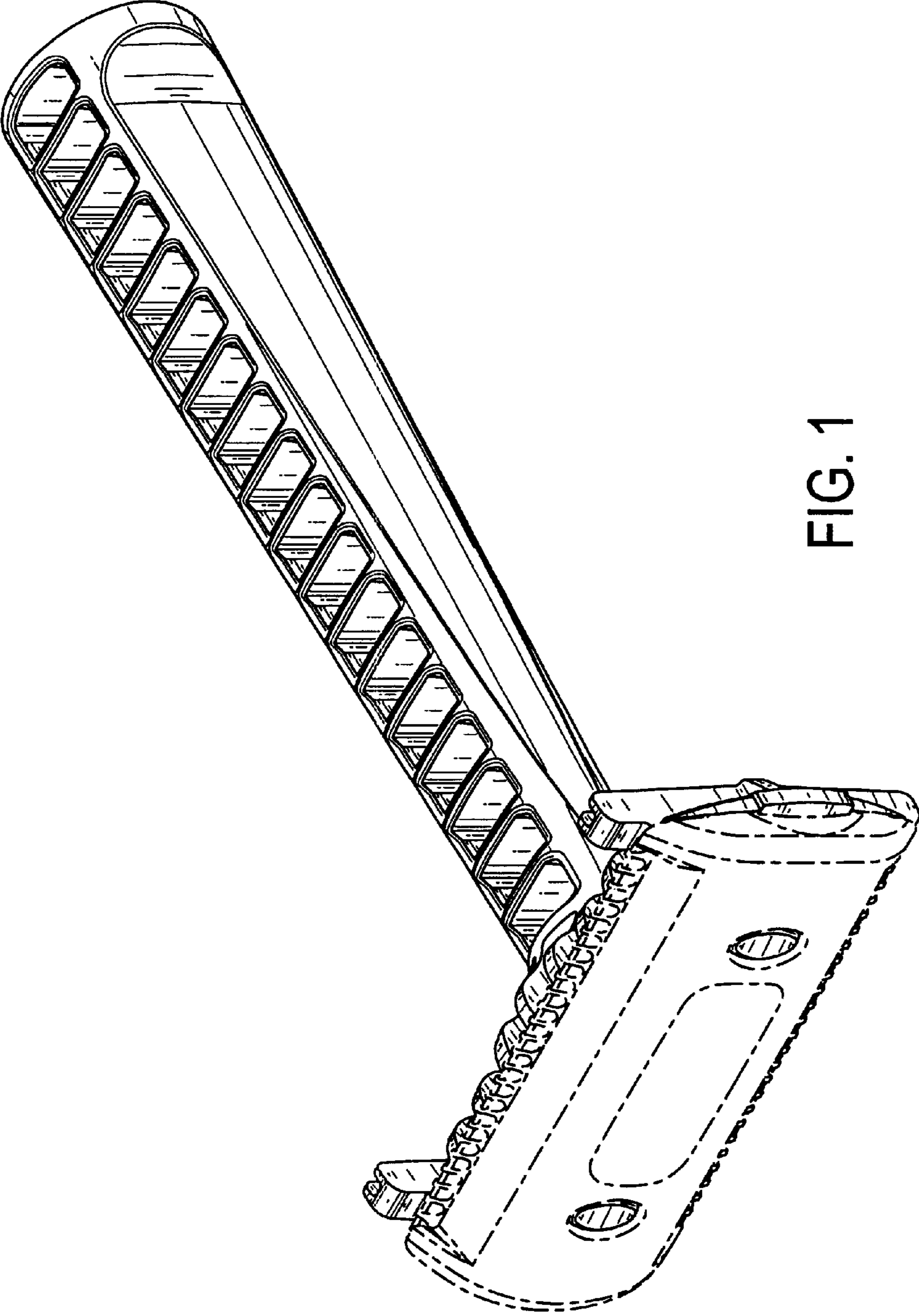


FIG. 1

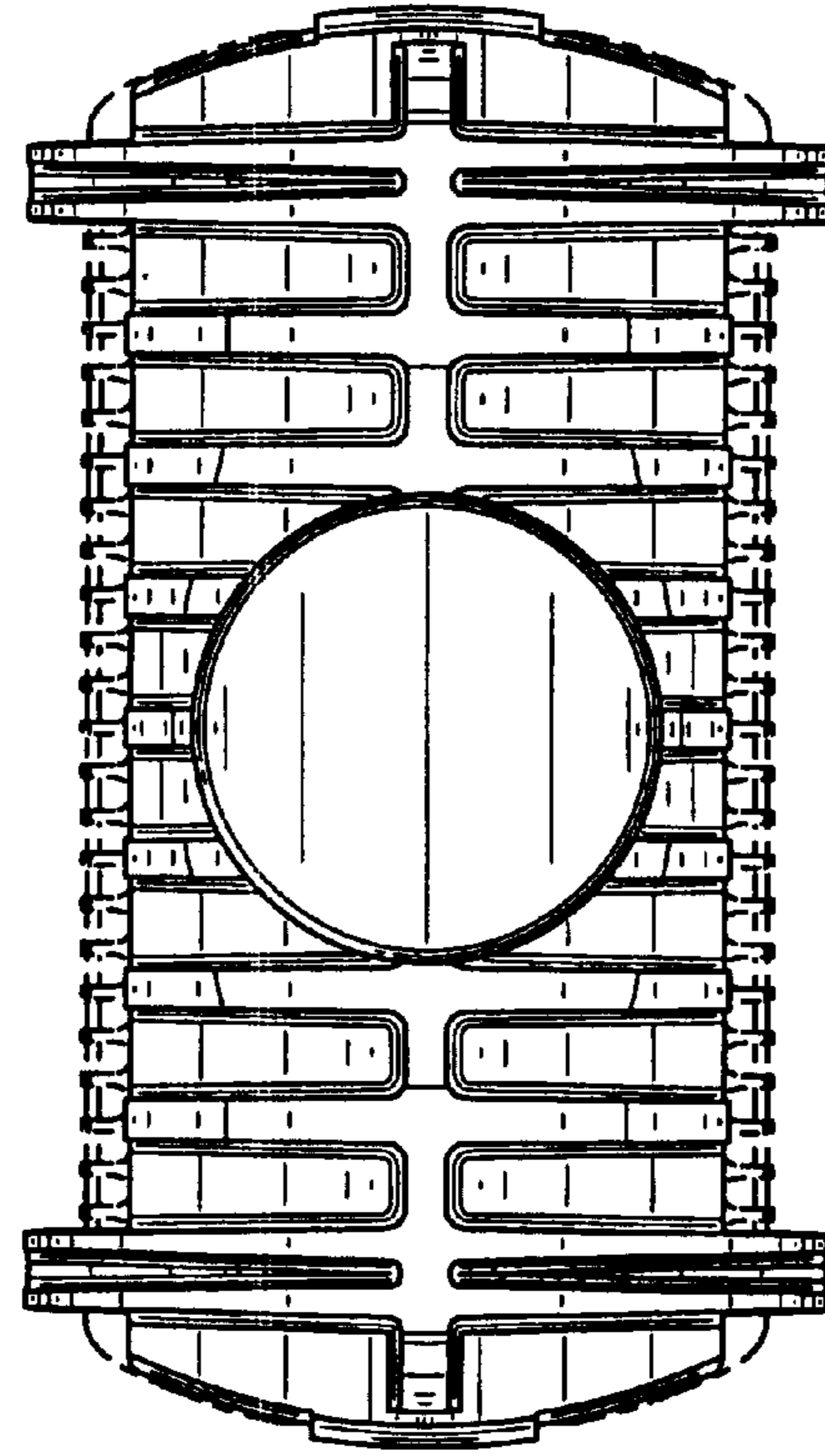


FIG. 3

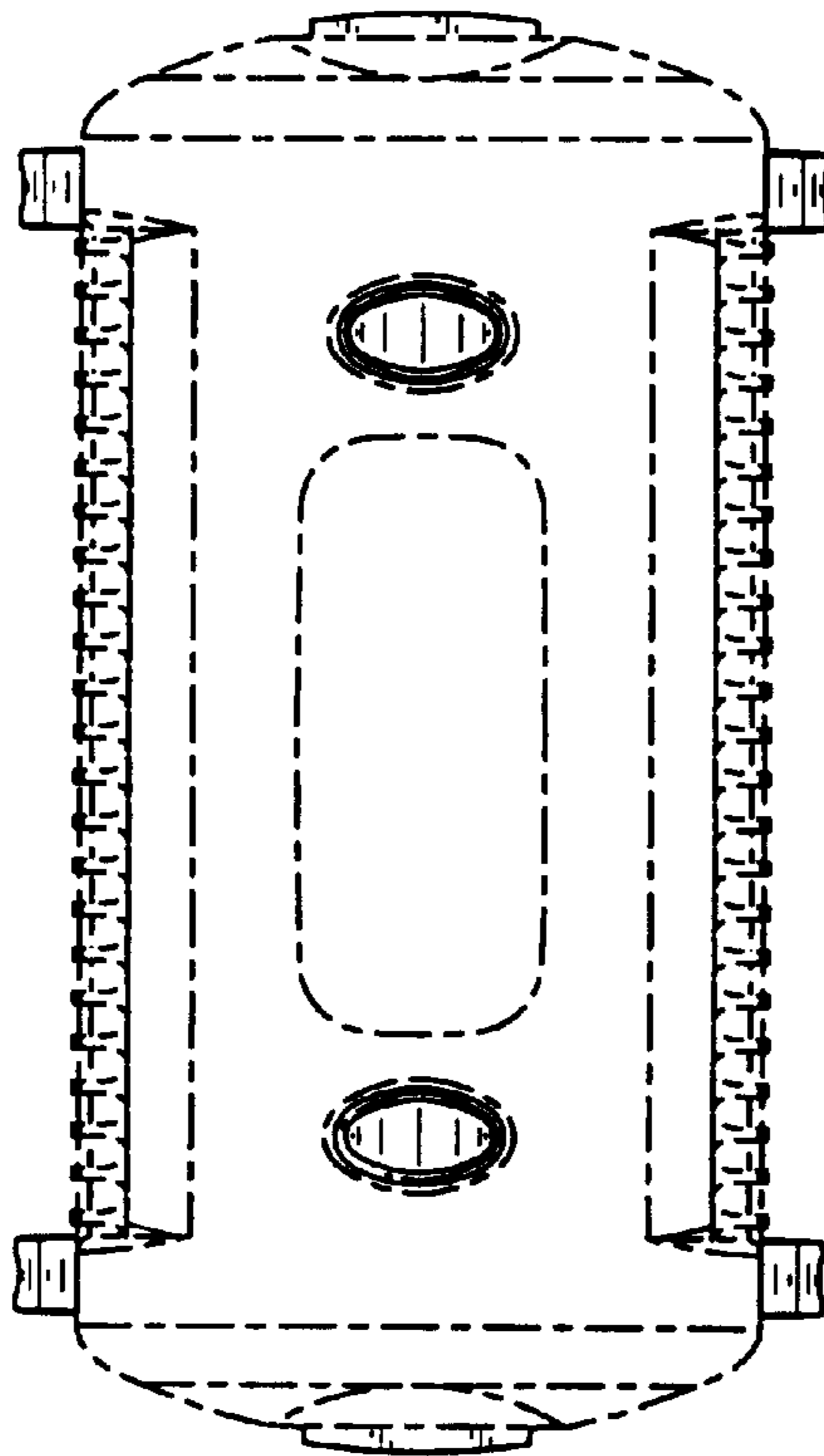


FIG. 2

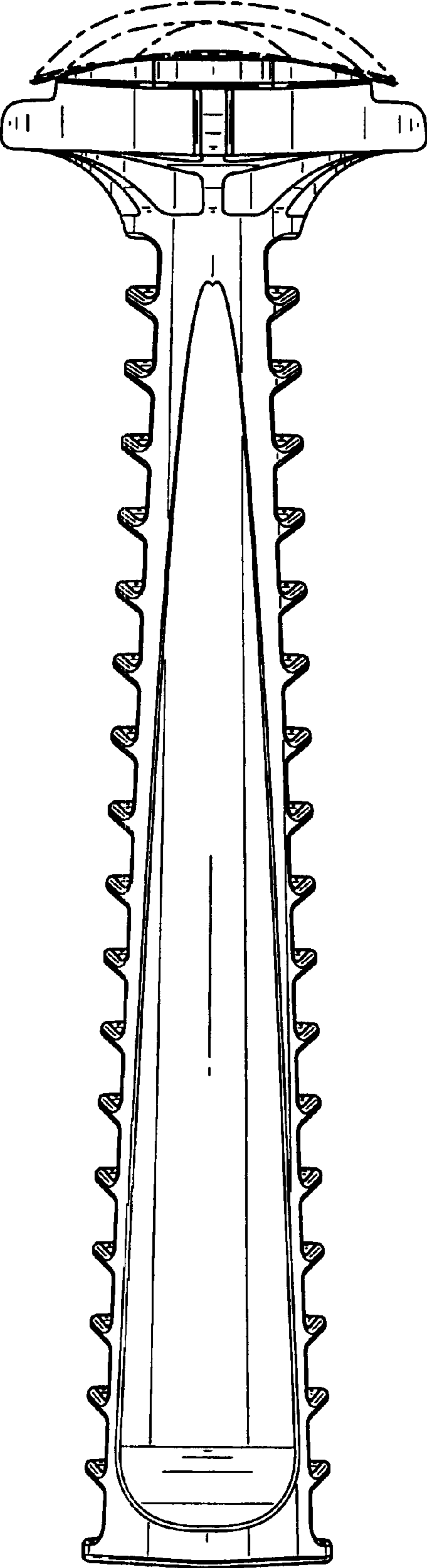


FIG. 4

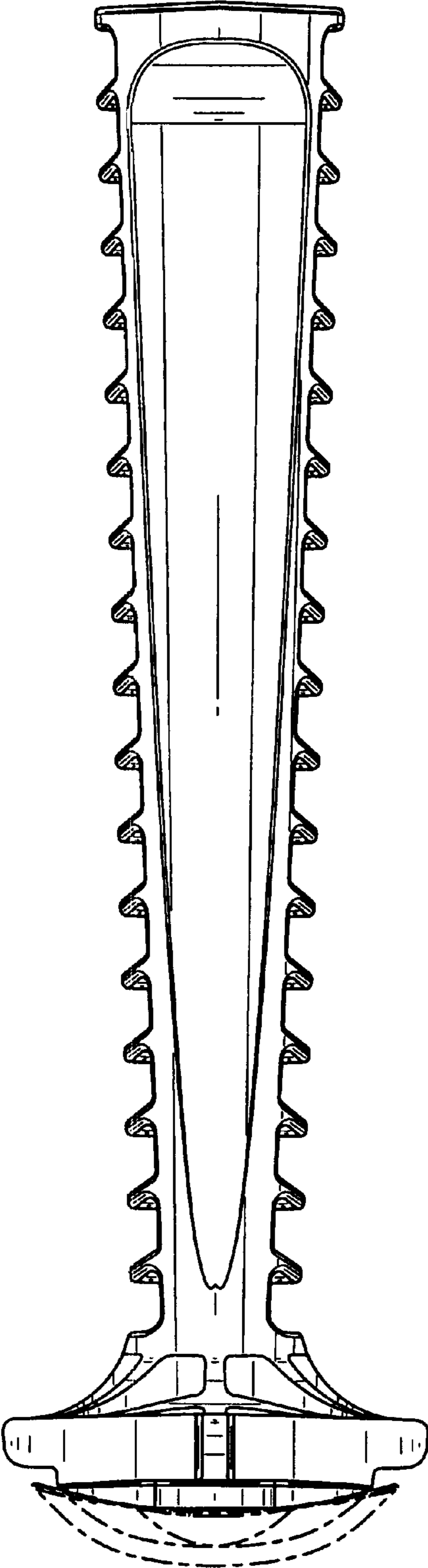


FIG. 5

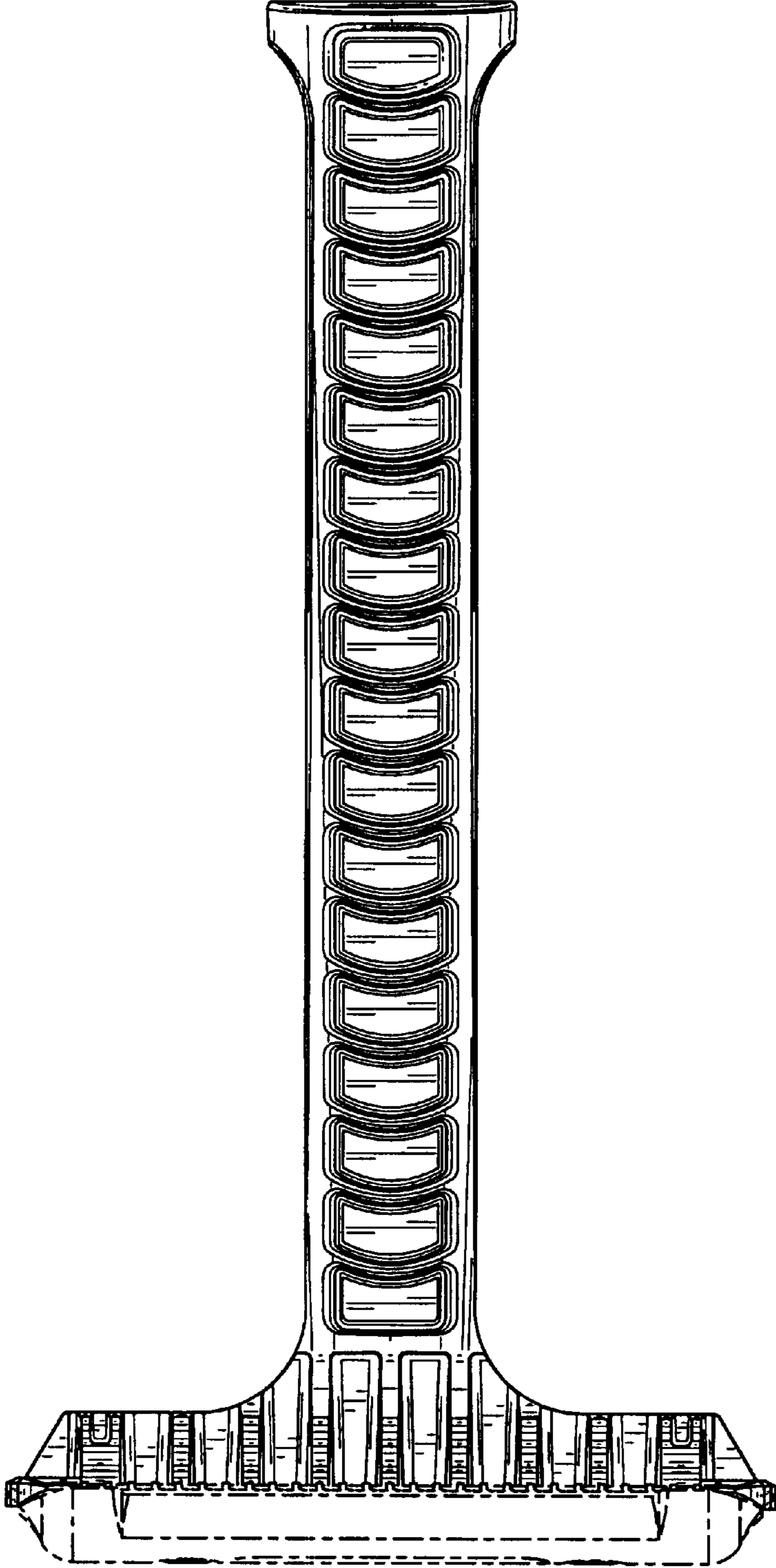


FIG. 6

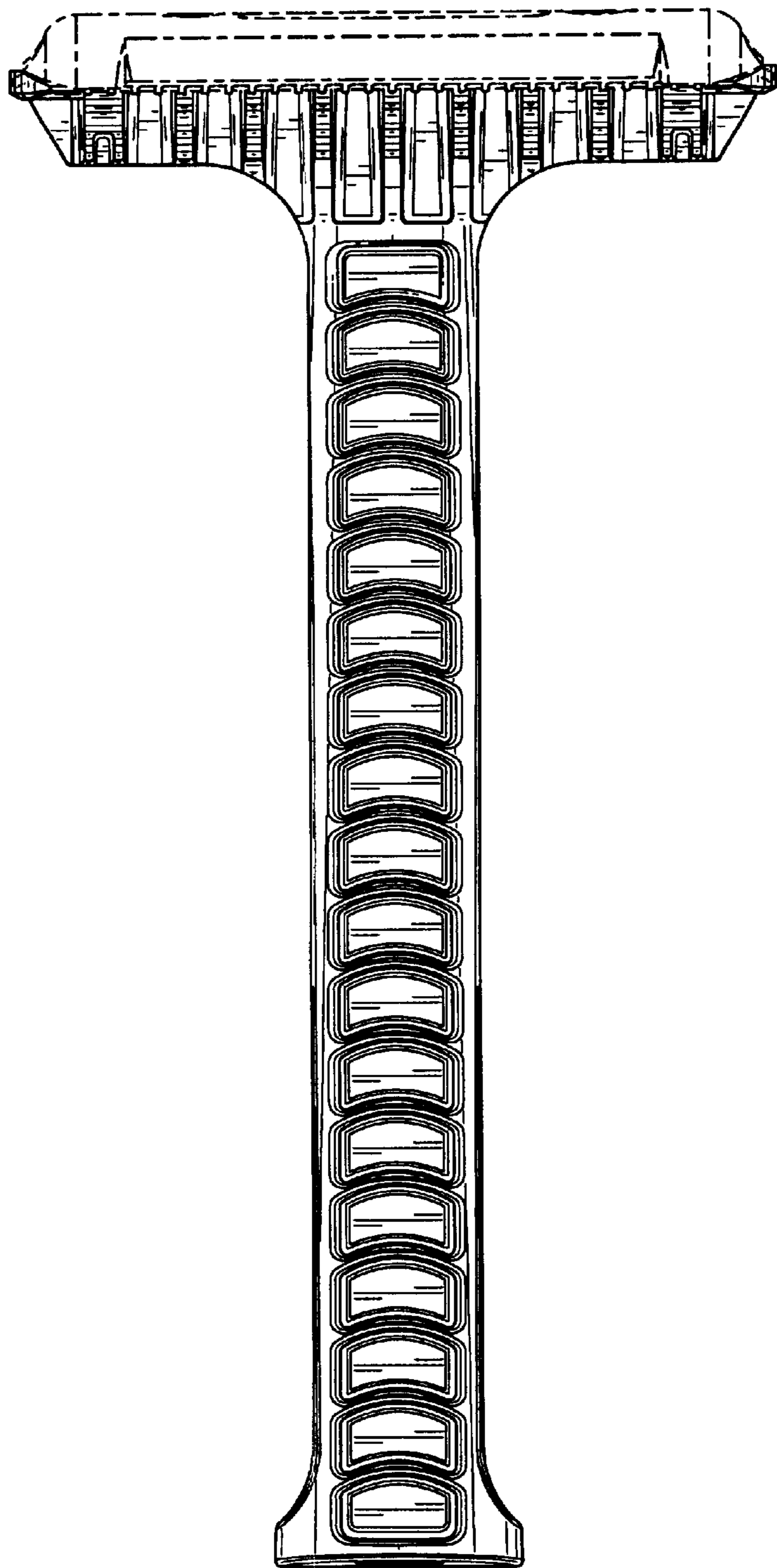


FIG. 7