



US00D513539S

(12) **United States Design Patent**
Yuen

(10) **Patent No.: US D513,539 S**
(45) **Date of Patent: ** Jan. 10, 2006**

(54) **RECHARGEABLE HALOGEN
SEARCHLIGHT WITH FLUORESCENT
AREA LIGHT**

D443,708 S * 6/2001 Lynch et al. D26/46
D485,628 S * 1/2004 Yuen D26/44

* cited by examiner

(76) Inventor: **Se Kit Yuen**, 6/F., Yau Lee Centre, 45
Hoi Yuen Road Kwun Tong, Hong
Kong (HK)

Primary Examiner—Marcus A. Jackson

(**) Term: **14 Years**

(57) **CLAIM**

The ornamental design for a rechargeable halogen search-
light with fluorescent area light, as shown and described.

(21) Appl. No.: **29/216,421**

DESCRIPTION

(22) Filed: **Nov. 1, 2004**

(30) **Foreign Application Priority Data**

Aug. 4, 2004 (HK) 0411733

(51) **LOC (8) Cl.** **26-02**

(52) **U.S. Cl.** **D26/46**

(58) **Field of Classification Search** D26/37-50;
362/157, 158, 171-174, 183-208
See application file for complete search history.

FIG. 1 is a front view showing my new design.
FIG. 2 is a rear side view thereof.
FIG. 3 is a side view thereof.
FIG. 4 is another side view thereof.
FIG. 5 is a plan view thereof.
FIG. 6 is an underneath view thereof.
FIG. 7 is a front isometric view with handle and area-light
opened thereof.
FIG. 8 is a front isometric view thereof; and,
FIG. 9 is a back isometric view thereof.

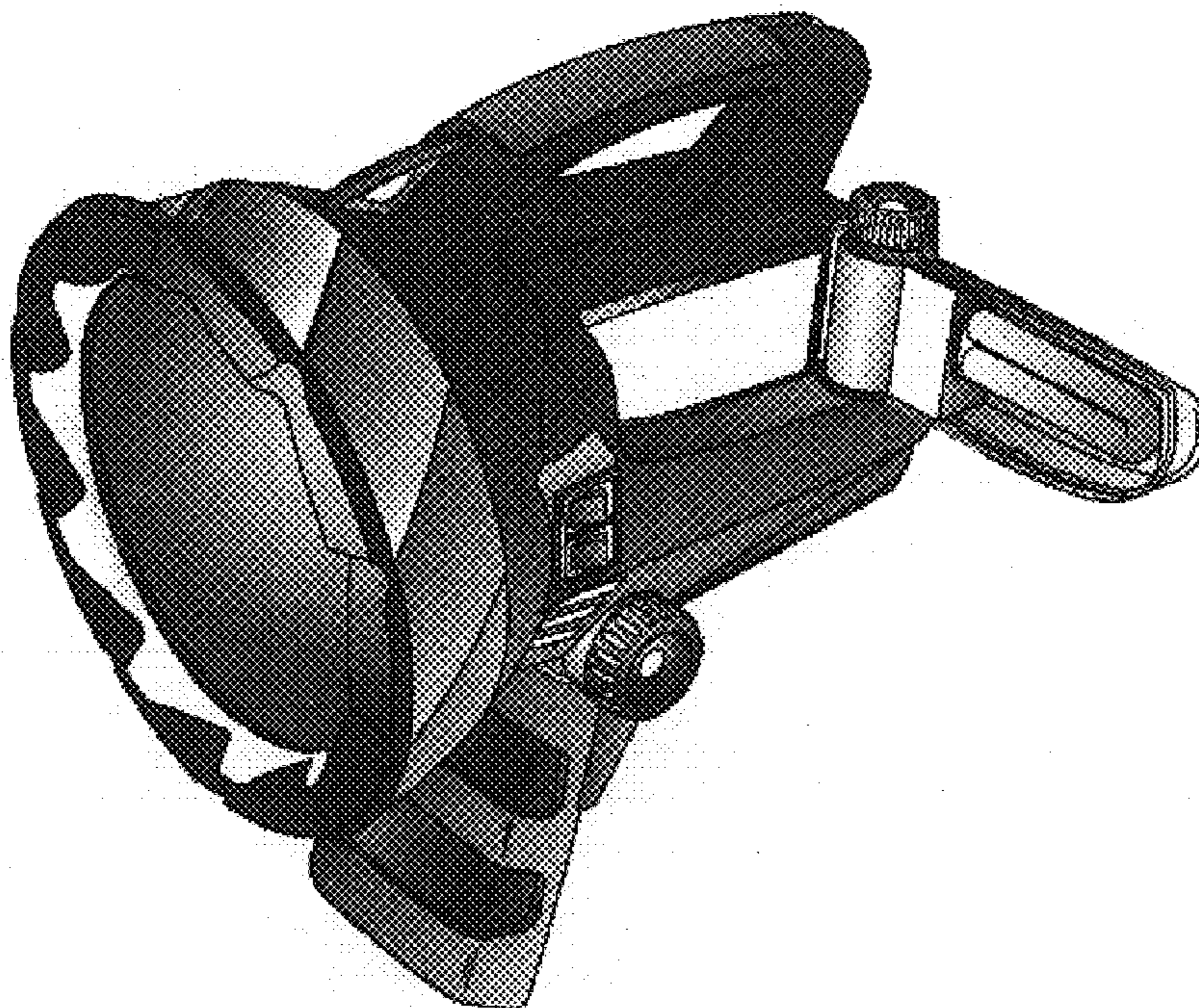
The surface(s) or portion(s) of the article not shown in the
drawing or described in the specification form(s) no part of
the claimed design.

(56) **References Cited**

U.S. PATENT DOCUMENTS

D430,323 S * 8/2000 Yuen D26/46
D437,434 S * 2/2001 Zeller D26/46

1 Claim, 9 Drawing Sheets



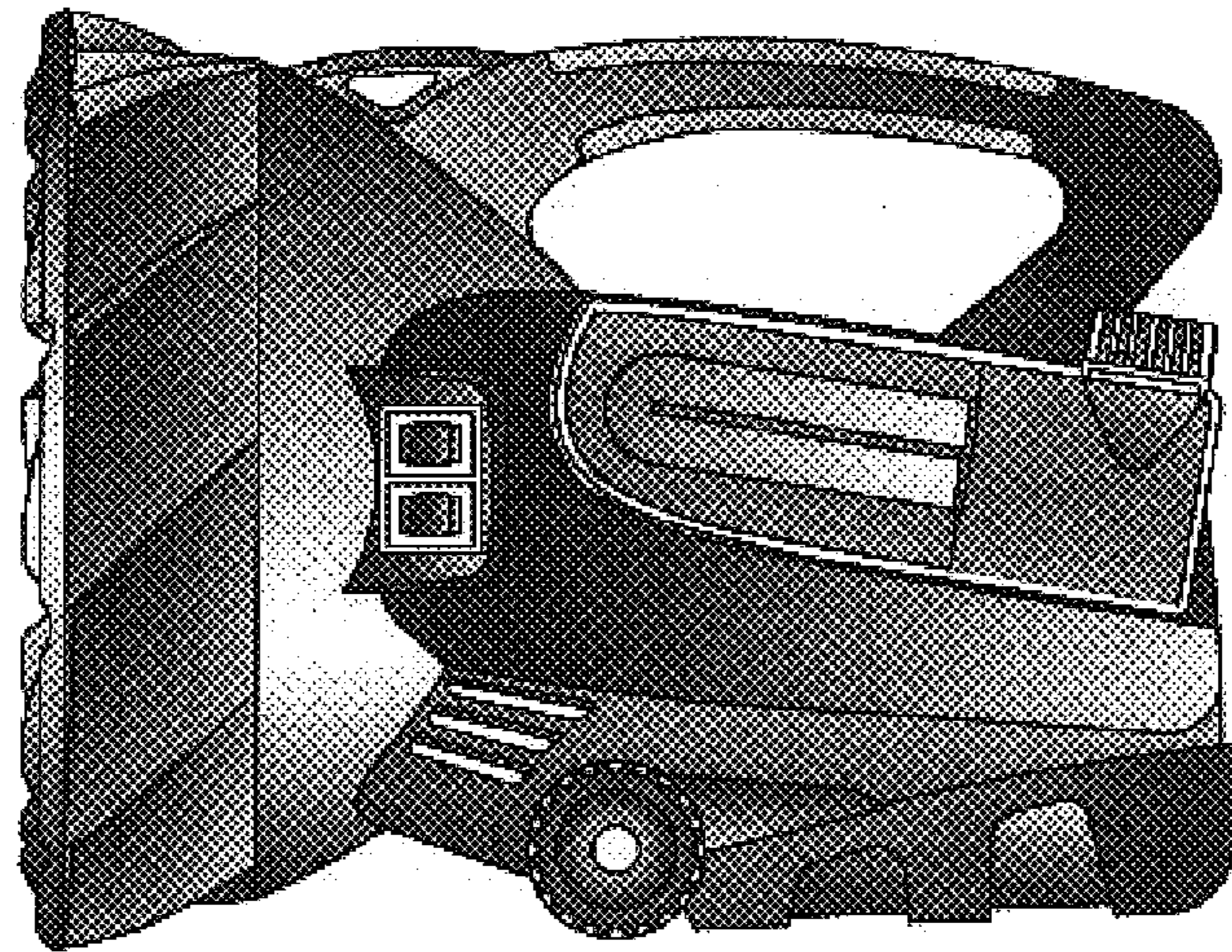


FIG. 1

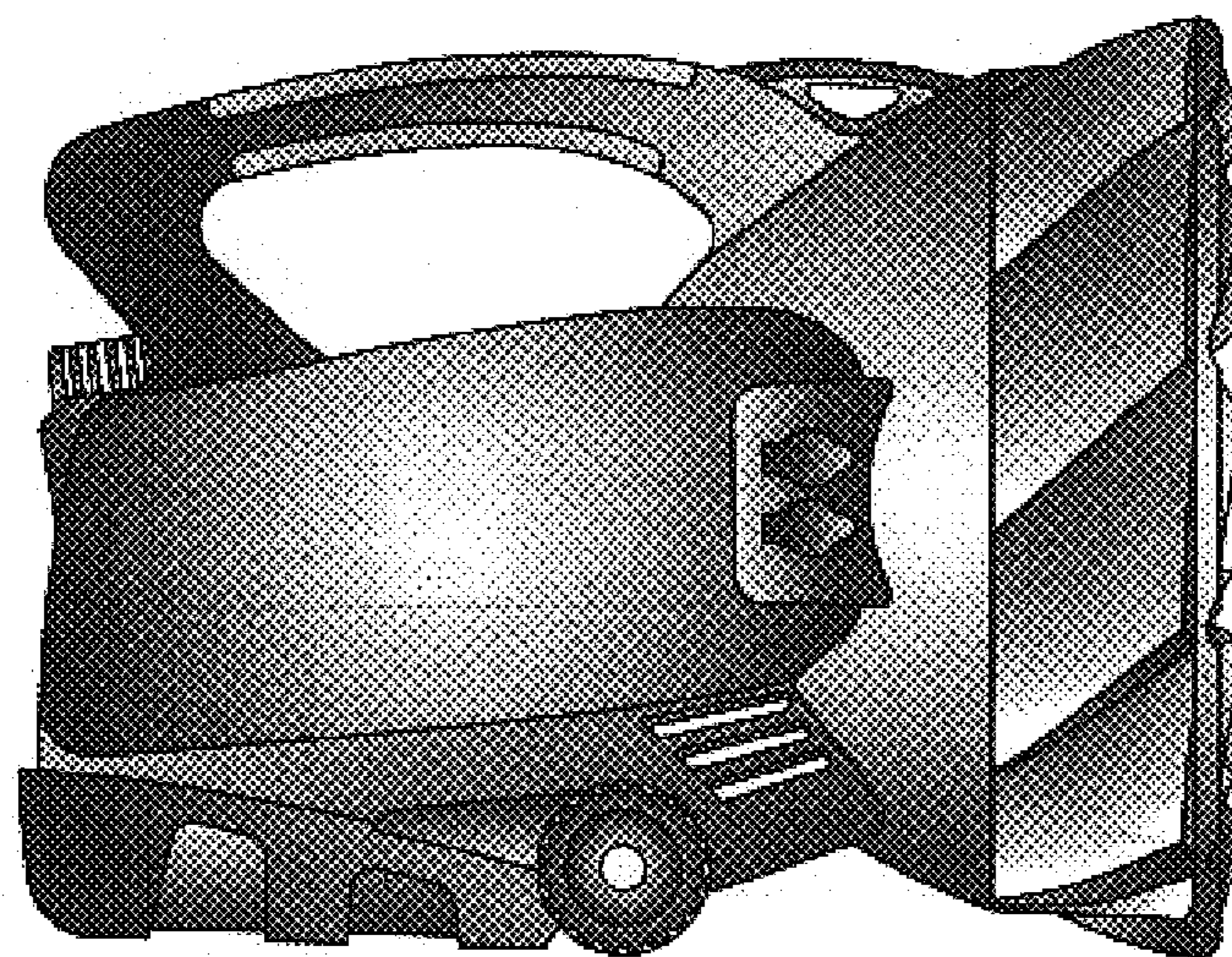


FIG. 2

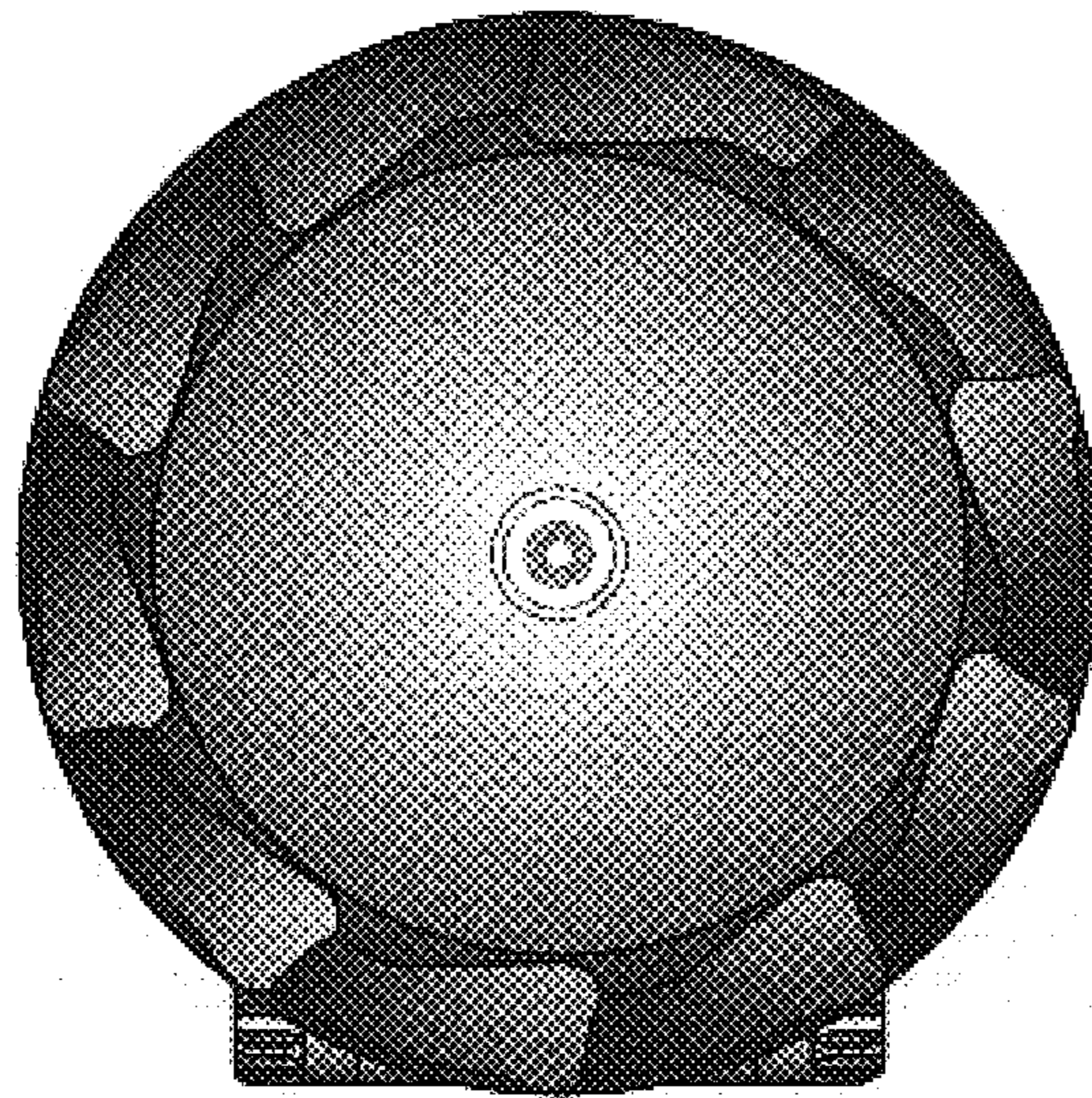


Fig. 3

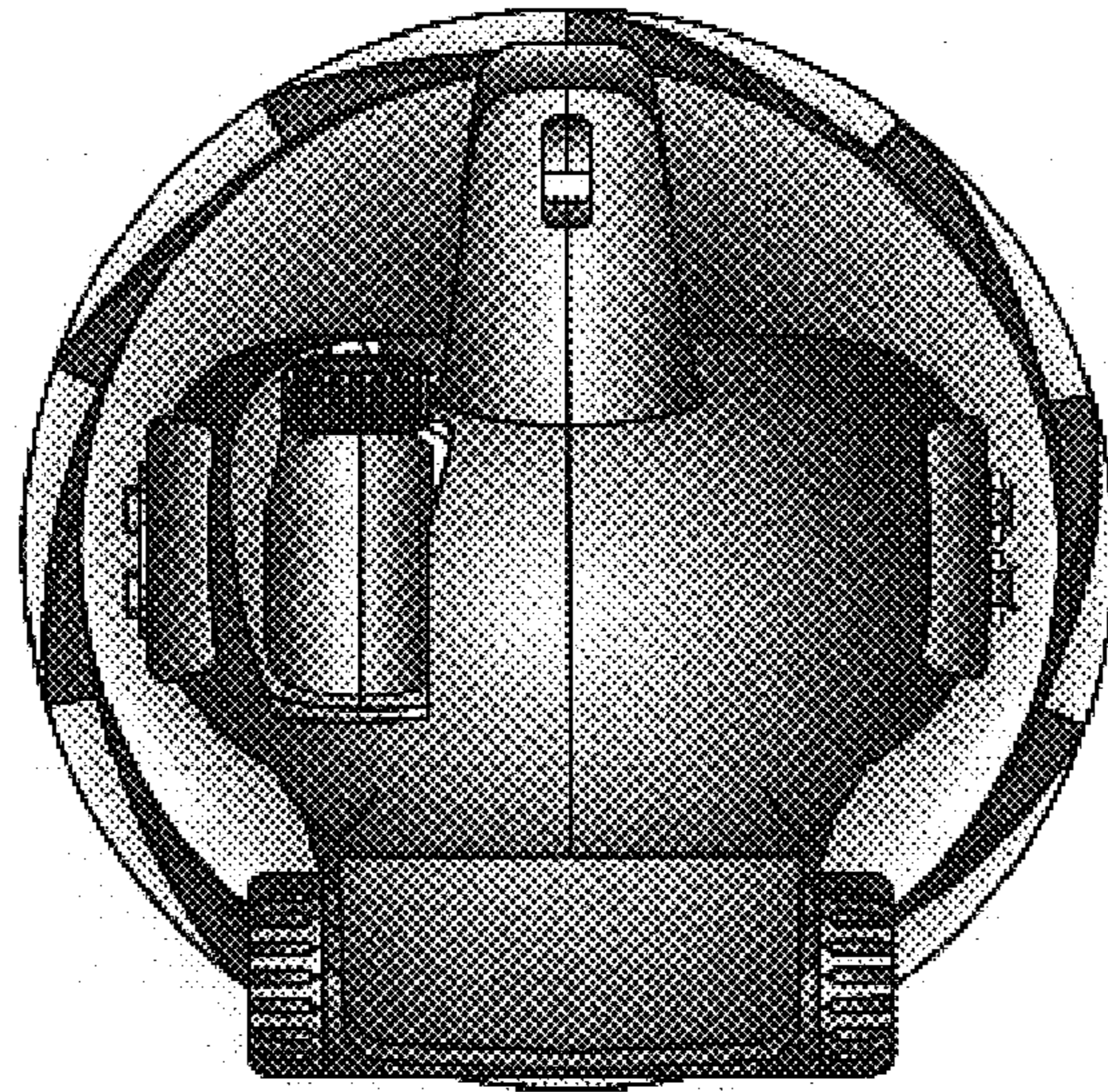


FIG. 4

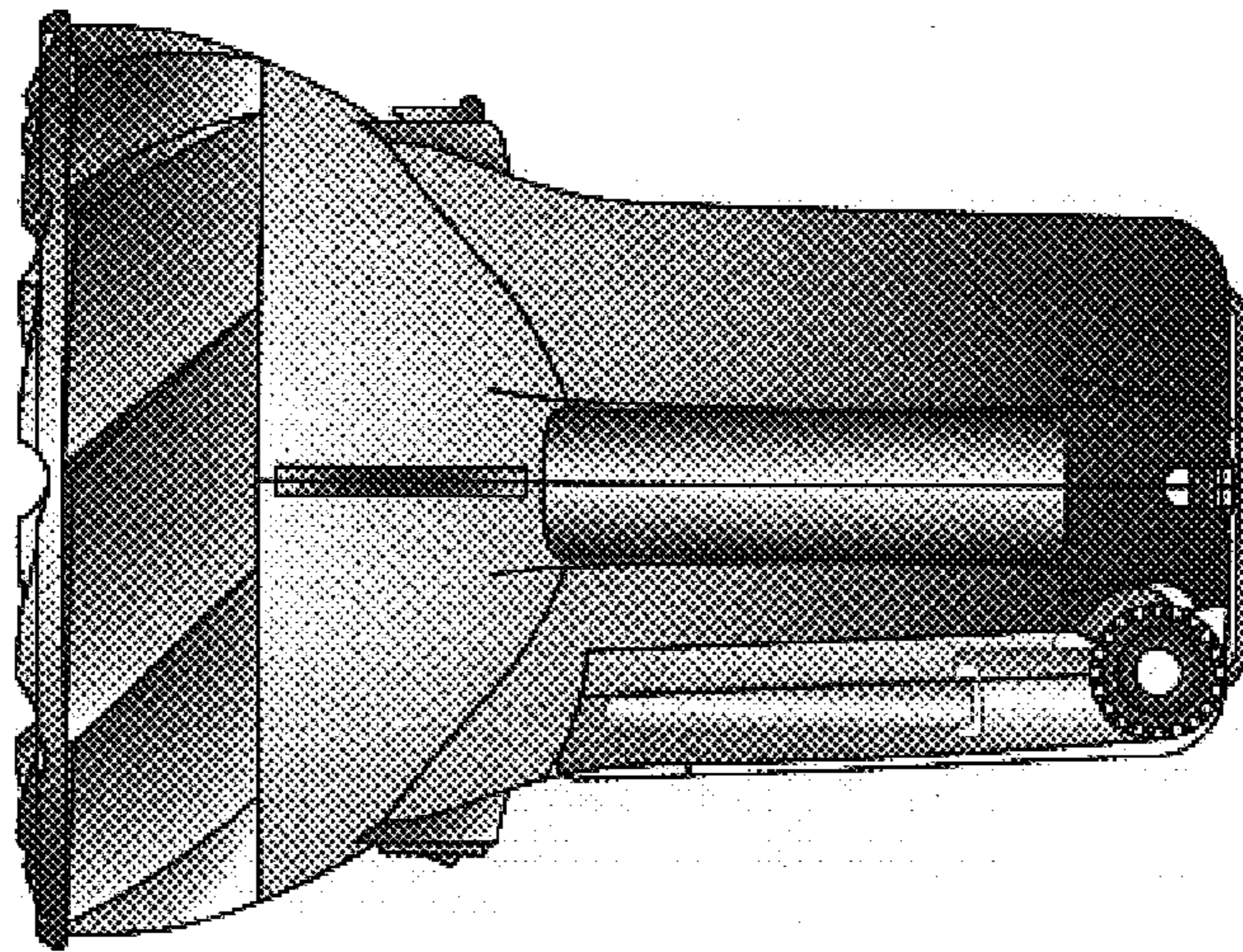


Fig. 5

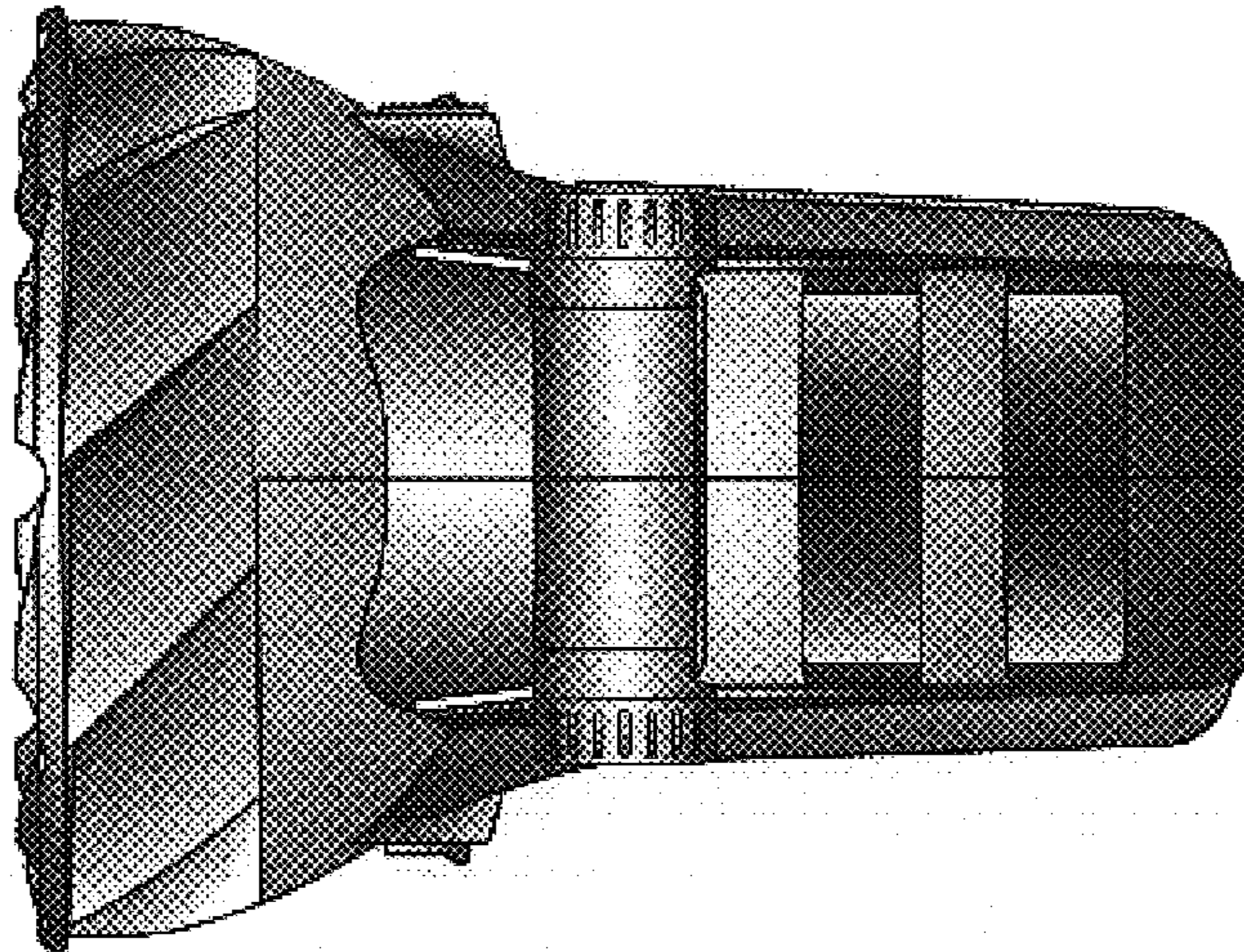


FIG. 6

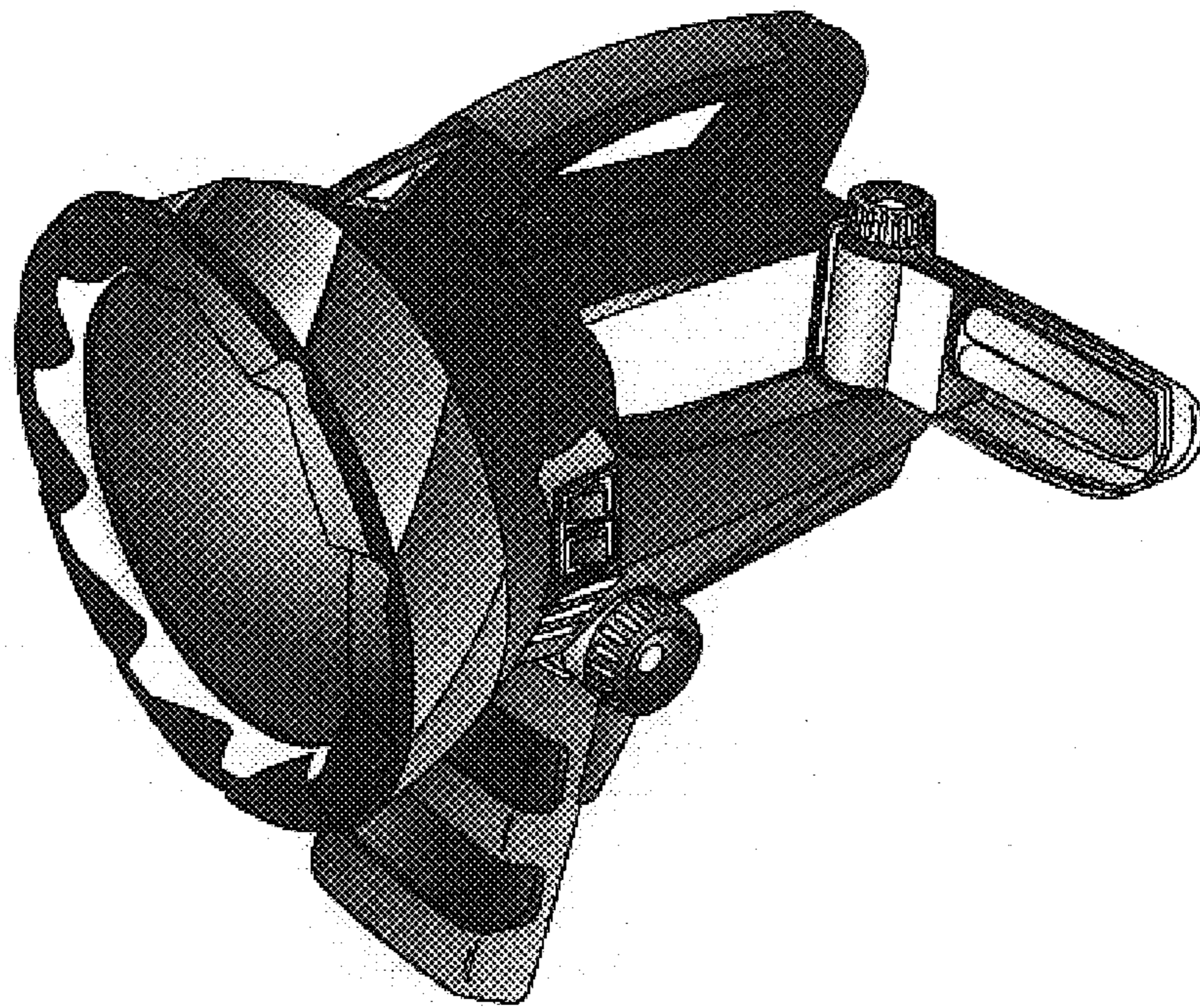


Fig. 7

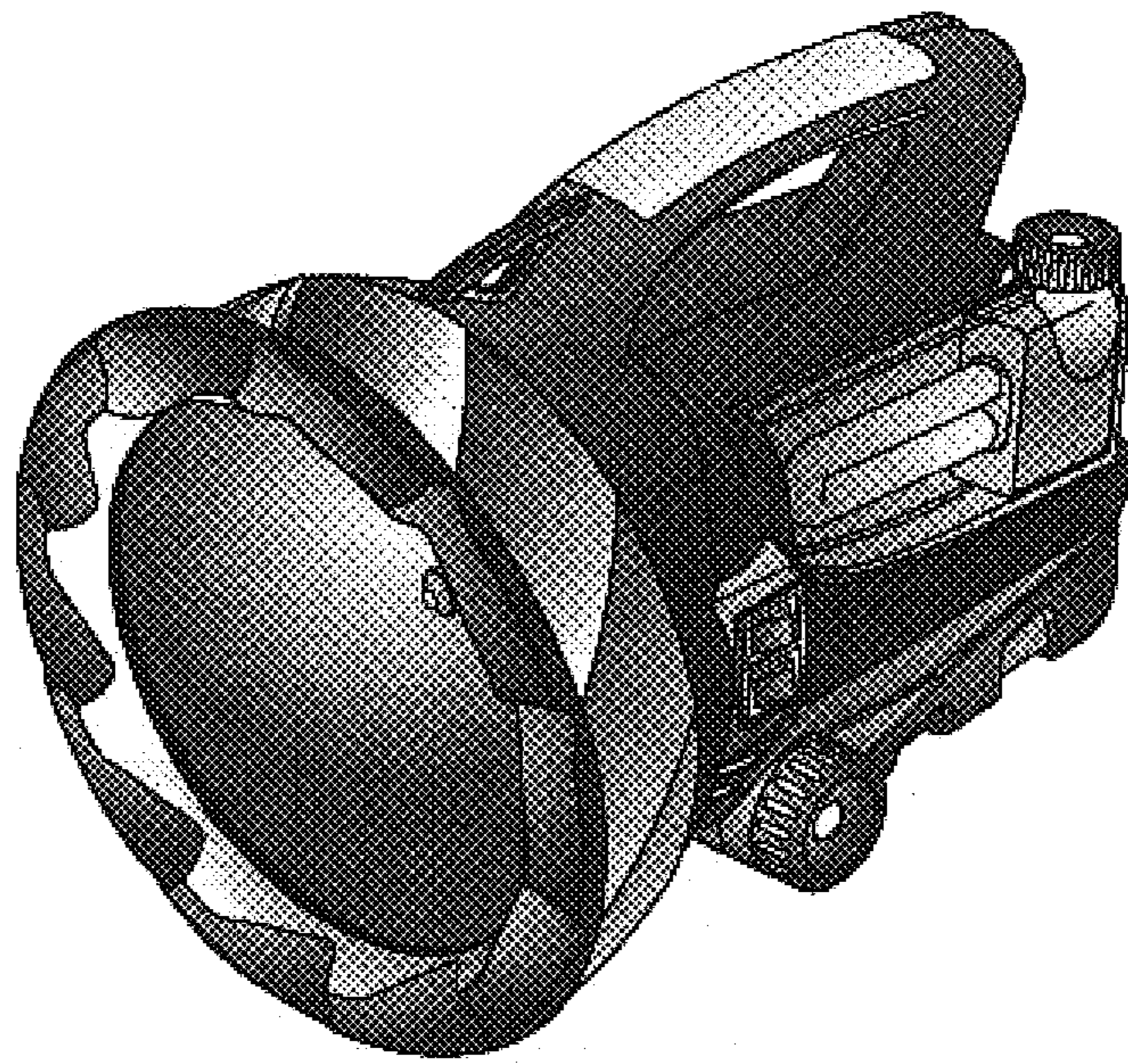


Fig. 8

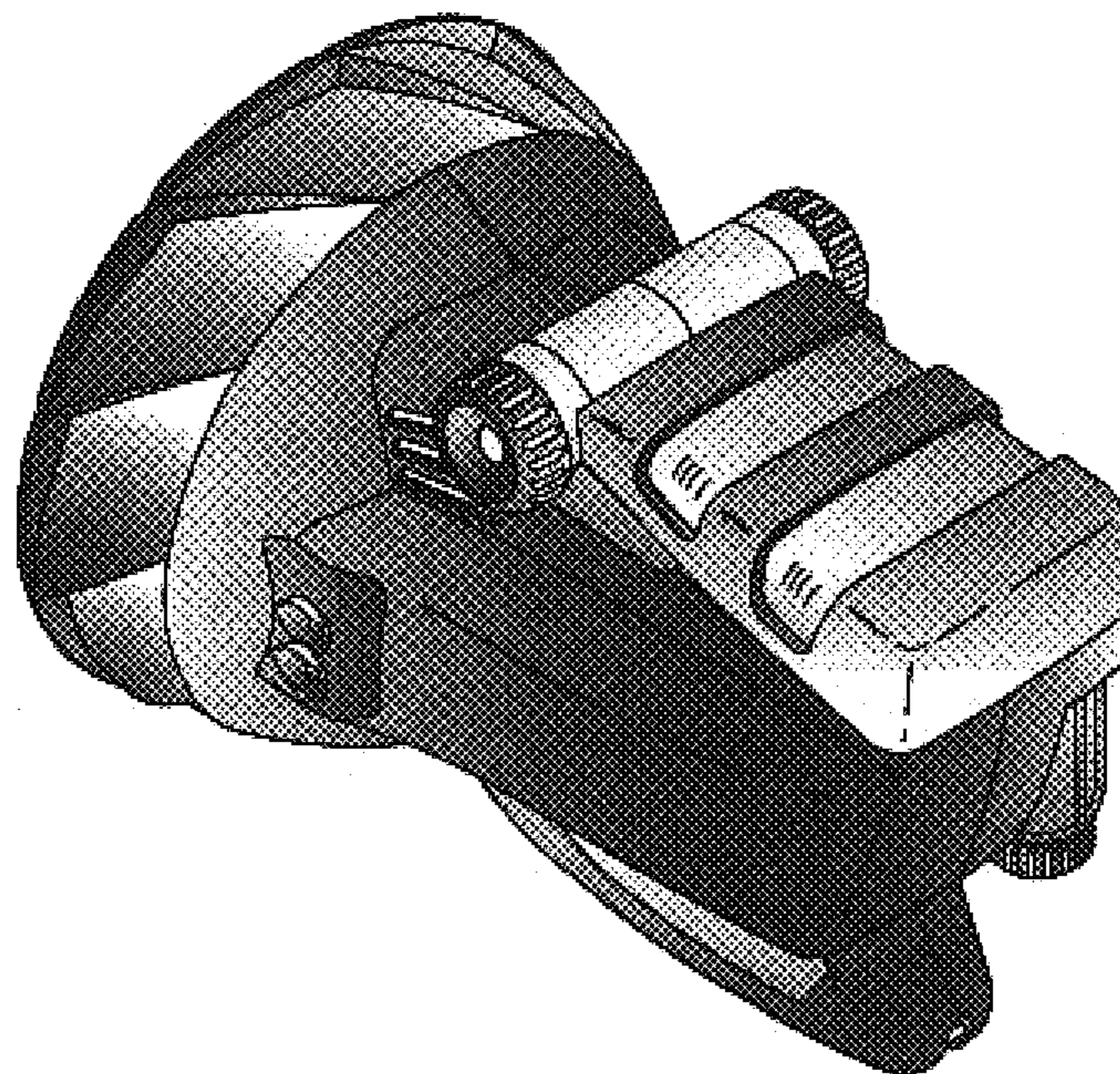


Fig. 9