



US00D513536S

(12) **United States Design Patent**
Walker

(10) **Patent No.:** **US D513,536 S**
(45) **Date of Patent:** **** Jan. 10, 2006**

(54) **POST BASE**

Primary Examiner—Doris Clark

(75) **Inventor:** **Simon Walker, Delta (CA)**

(57) **CLAIM**

(73) **Assignee:** **Peak Innovations Inc., Richmond (CA)**

The ornamental design for a post base, as shown and described.

(**) **Term:** **14 Years**

(21) **Appl. No.:** **29/216,725**

DESCRIPTION

(22) **Filed:** **Nov. 9, 2004**

(51) **LOC (8) Cl.** **25-01**

FIG. 1 is a top perspective view of my post base;

(52) **U.S. Cl.** **D25/133**

FIG. 2 is a bottom perspective view thereof;

(58) **Field of Classification Search** D25/133,
D25/134; 256/65.14

FIG. 3 is a top plan view thereof;

See application file for complete search history.

FIG. 4 is a front elevation thereof, where the rear, left-hand side and right-hand side elevations are identical; and,

(56) **References Cited**

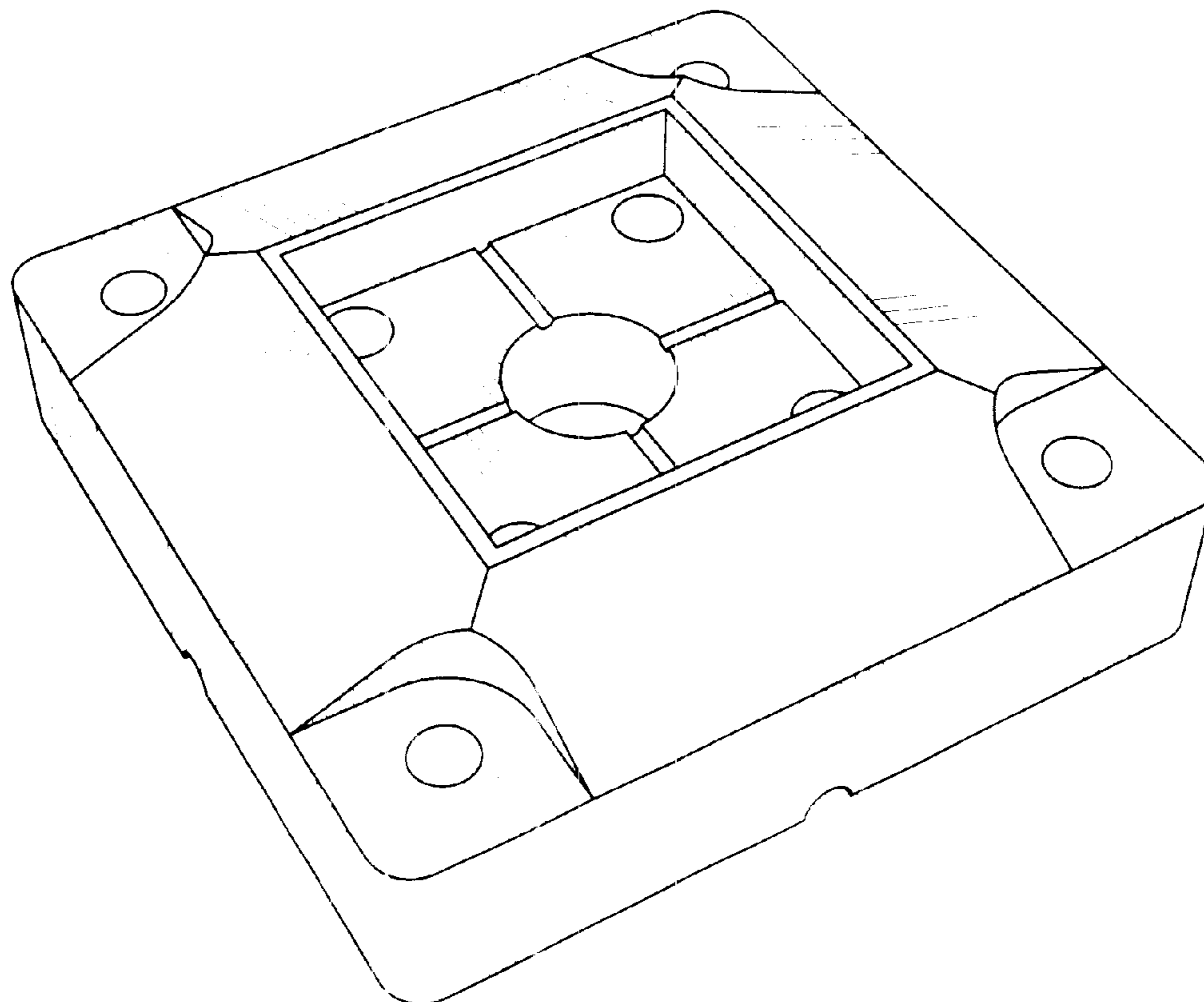
FIG. 5 is a bottom plan view of thereof.

U.S. PATENT DOCUMENTS

D429,008 S * 8/2000 Kohlberger et al. D25/133

* cited by examiner

1 Claim, 2 Drawing Sheets



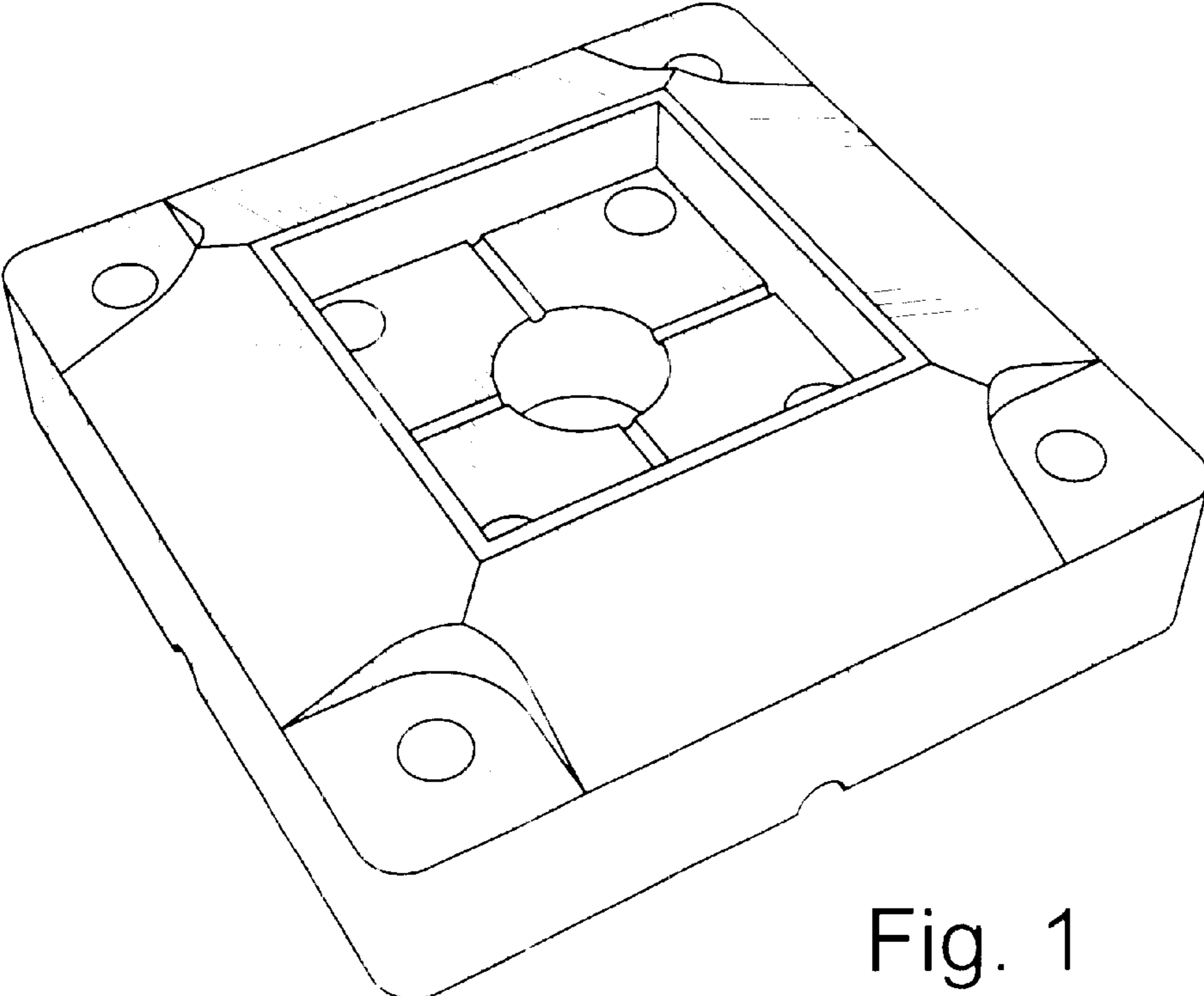


Fig. 1

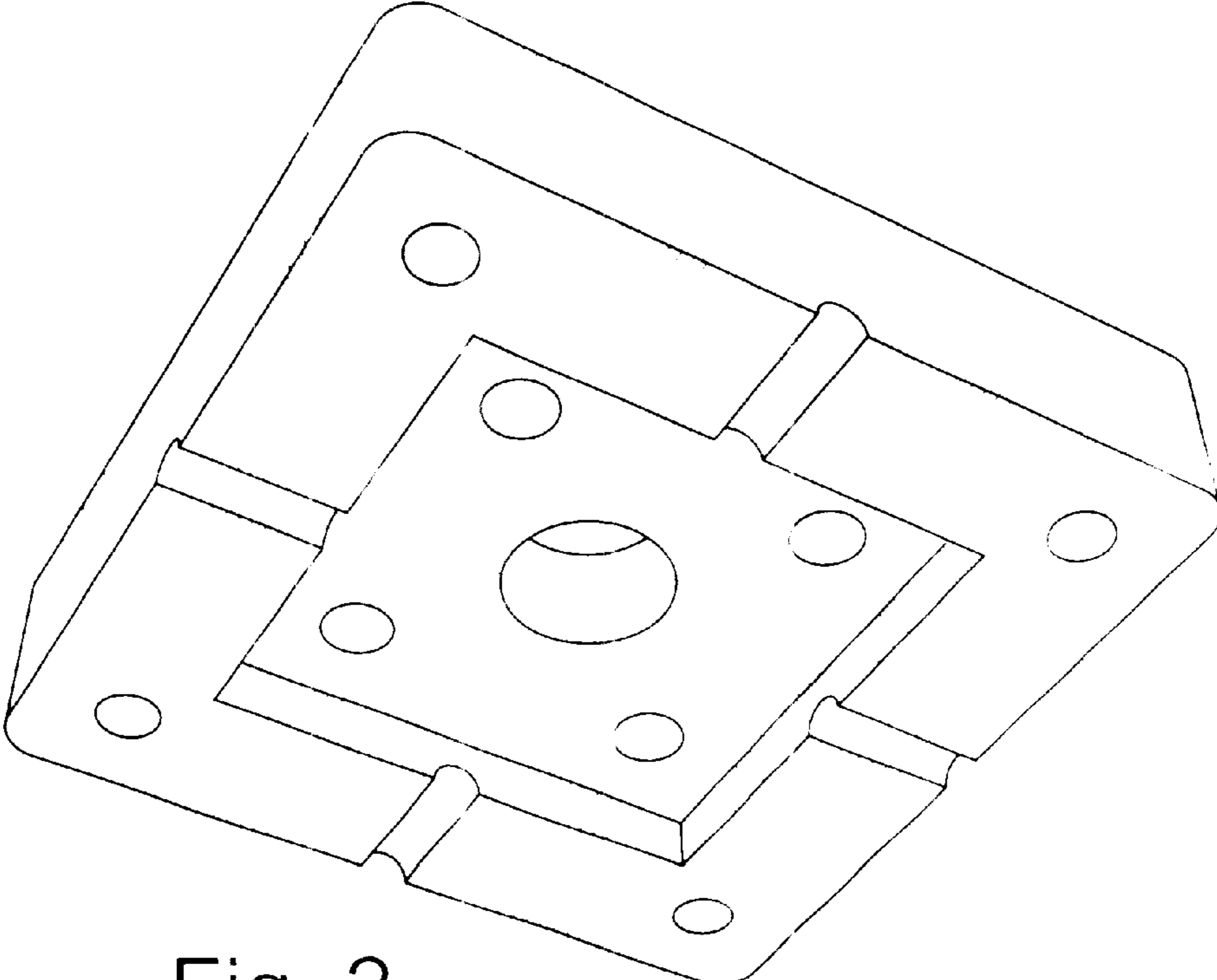


Fig. 2

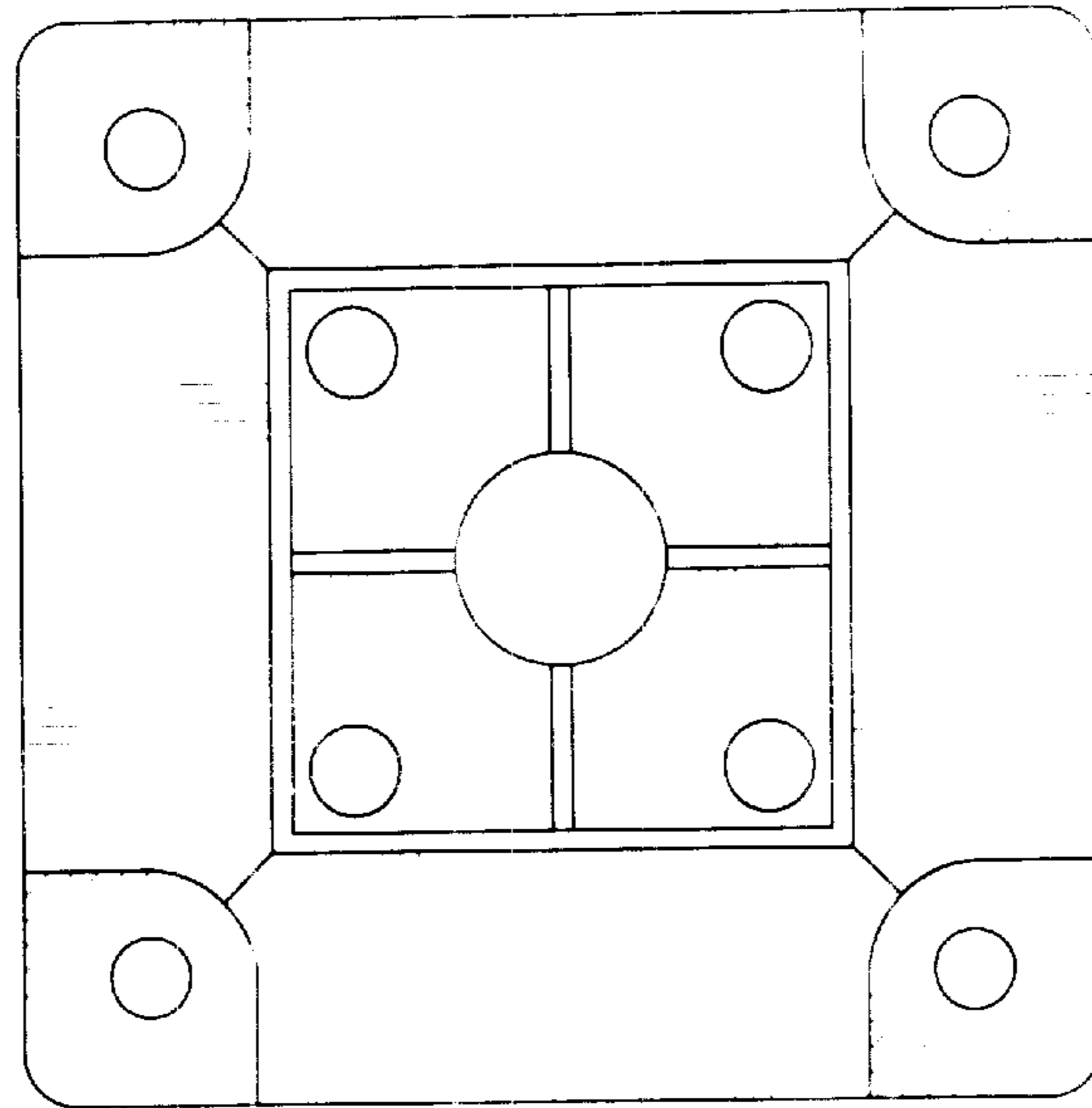


Fig. 3

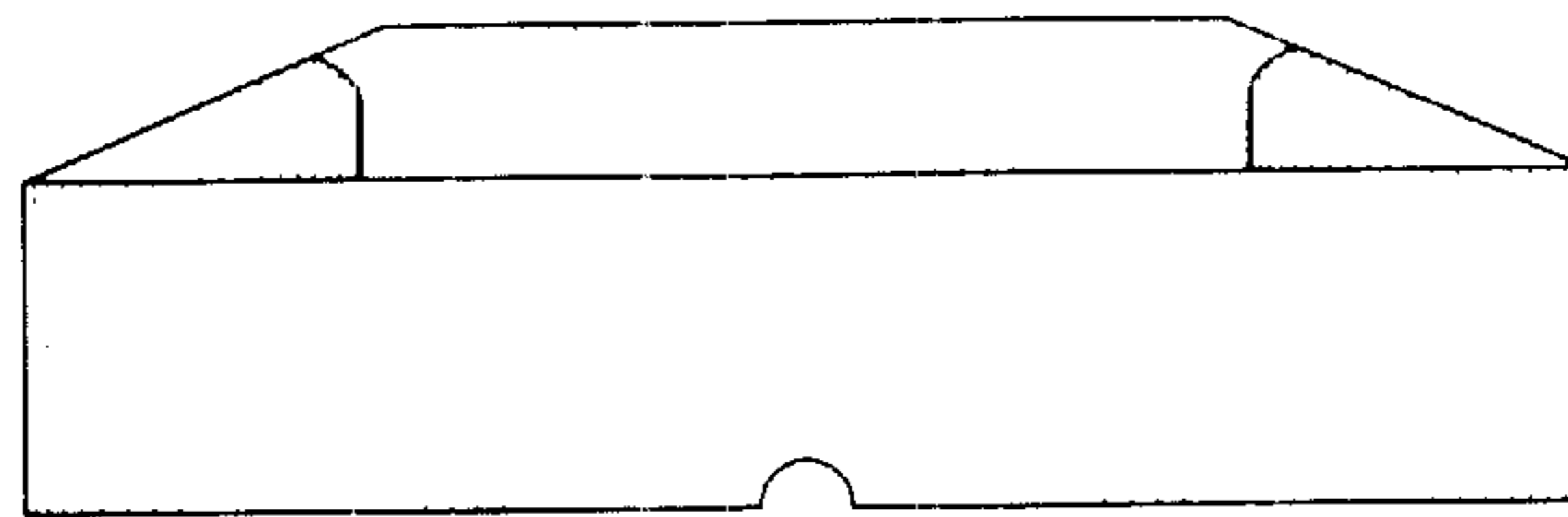


Fig. 4

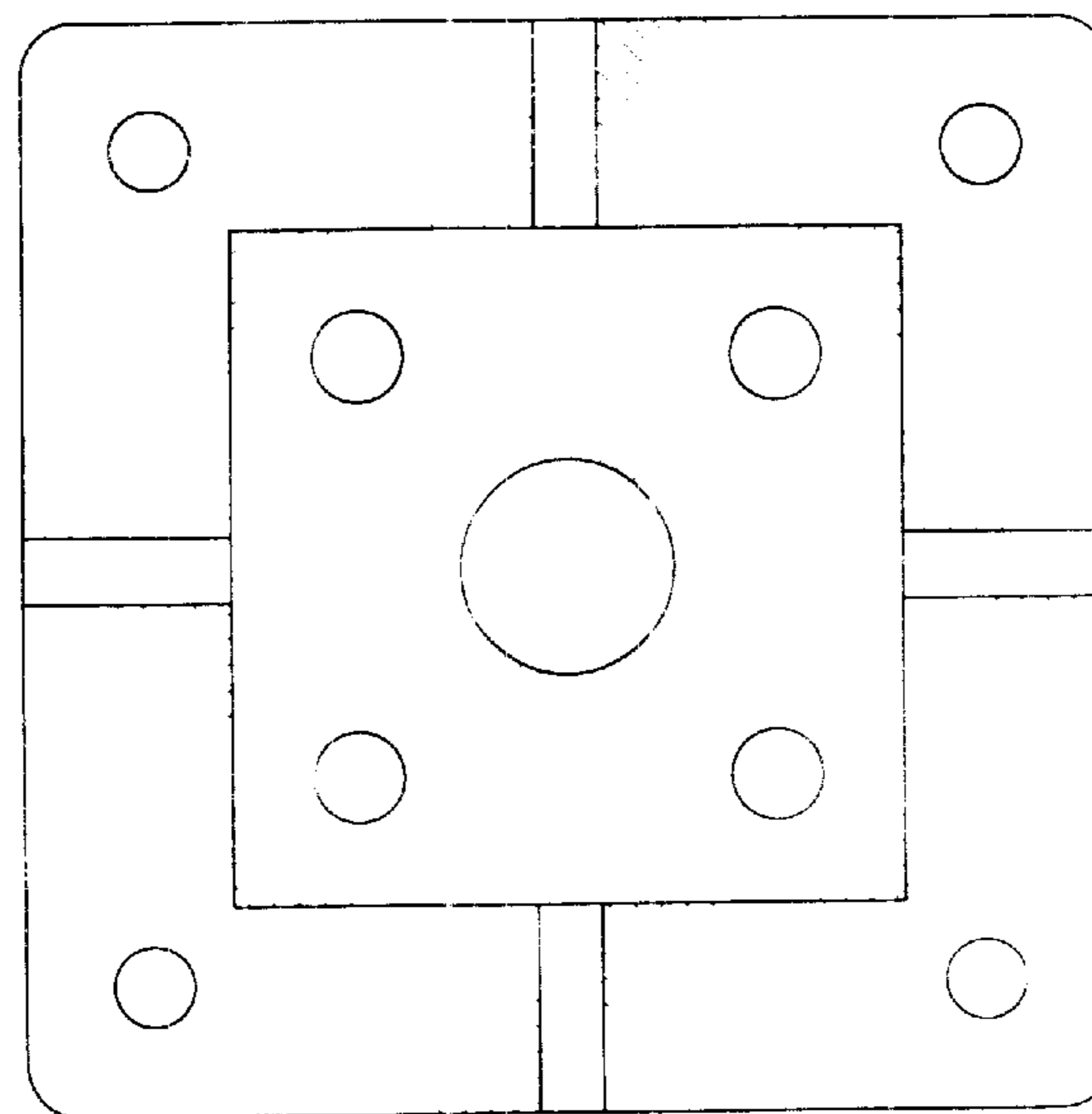


Fig. 5