



US00D513535S

(12) **United States Design Patent**  
**Fischer**

(10) **Patent No.:** **US D513,535 S**  
(45) **Date of Patent:** **\*\* Jan. 10, 2006**

(54) **SLATWALL GROOVE COVER**

(76) **Inventor:** **James R. Fischer**, 1717 Twin Oaks  
La., Sheboygan, WI (US) 53083

(\*\*) **Term:** **14 Years**

(21) **Appl. No.:** **29/220,881**

(22) **Filed:** **Jan. 7, 2005**

(51) **LOC (8) Cl.** ..... **25-01**

(52) **U.S. Cl.** ..... **D25/119**

(58) **Field of Classification Search** ..... D25/119,  
D25/138, 58, 163, 123; 52/36.5, 36.6; 211/41.15,  
211/134, 162, 87.01, 90.01, 94.01; 312/132  
See application file for complete search history.

(56) **References Cited**

**U.S. PATENT DOCUMENTS**

|                |        |         |       |         |
|----------------|--------|---------|-------|---------|
| 4,938,366 A *  | 7/1990 | Carroll | ..... | 211/55  |
| D408,558 S *   | 4/1999 | Levy    | ..... | D25/119 |
| 6,363,645 B1 * | 4/2002 | Hunter  | ..... | 40/618  |

\* cited by examiner

*Primary Examiner*—Doris Clark

(74) *Attorney, Agent, or Firm*—Andrus, Scales, Starke &  
Sawall, LLP

(57) **CLAIM**

The ornamental design of the slatwall groove cover, as shown and described.

**DESCRIPTION**

FIG. 1 is a perspective view of the new slatwall groove cover design having a rear wall and a U-shaped portion having front and intermediate walls, and with its length and height shown in broken lines;

FIG. 2 is a front view of the slatwall groove cover;

FIG. 3 is a rear view of the slatwall groove cover;

FIG. 4 is a top end view of the slatwall groove cover;

FIG. 5 is a bottom end view of the slatwall groove cover;

FIG. 6 is a side view of the slatwall groove cover; and,

FIG. 7 is a side view of two slatwall groove cover, it having a U-shaped portion fitting around a lower lip of one panel of a multi-panel slatwall, and a hanger held by the slatwall and engaged by the slatwall groove cover, said slatwall, a groove cover, and hanger being shown in phantom.

The side view opposite FIGS. 6 is a mirror image. The broken lines showing the multi-panel slatwall and hanger in FIG. 7 are for illustrative purposes only and form no part of the claimed design. The remaining broken lines in the drawings are to disclose the indeterminate length of the slatwall groove cover and the indeterminate height of its front, rear and intermediate walls.

**1 Claim, 4 Drawing Sheets**

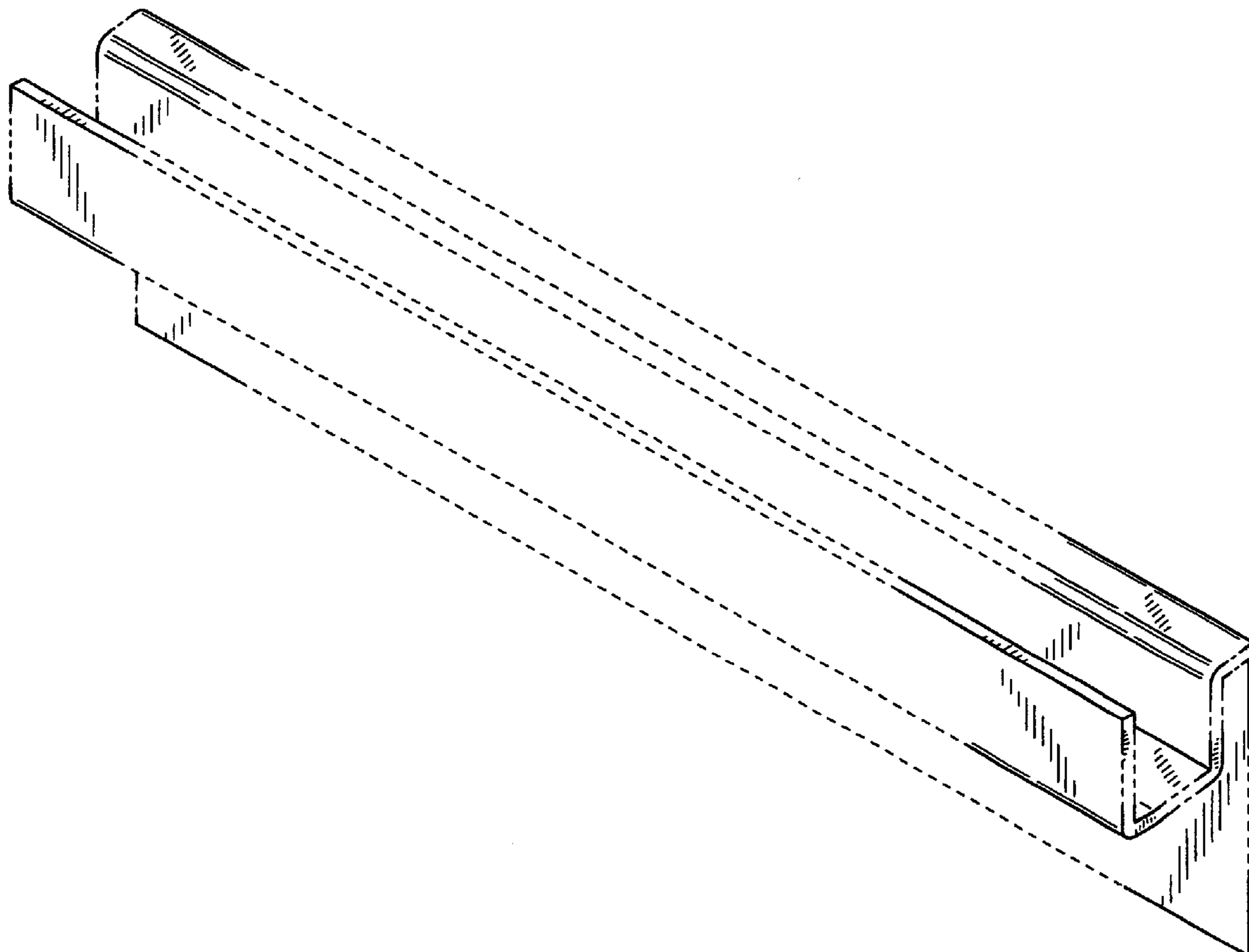


FIG. 1

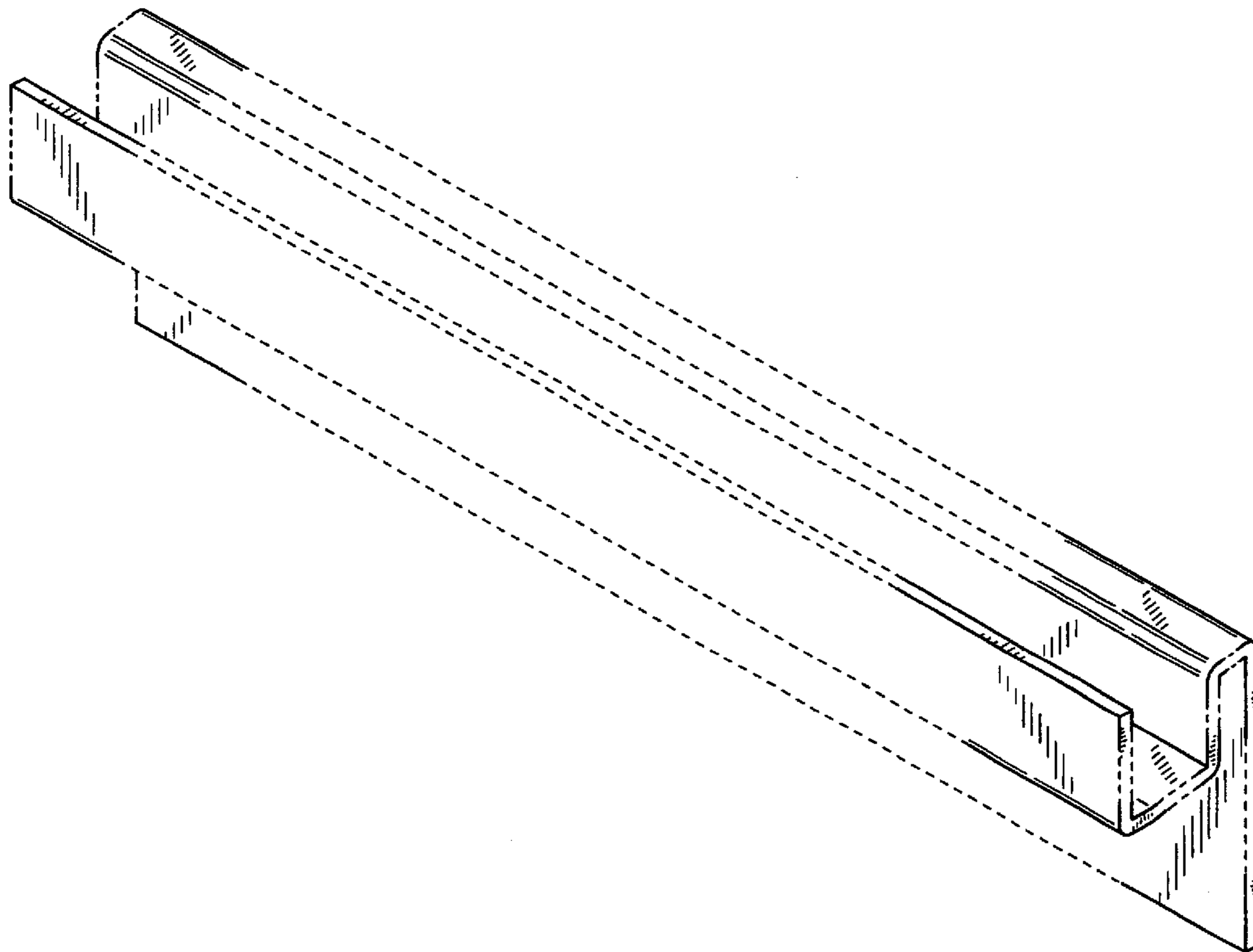


FIG. 2

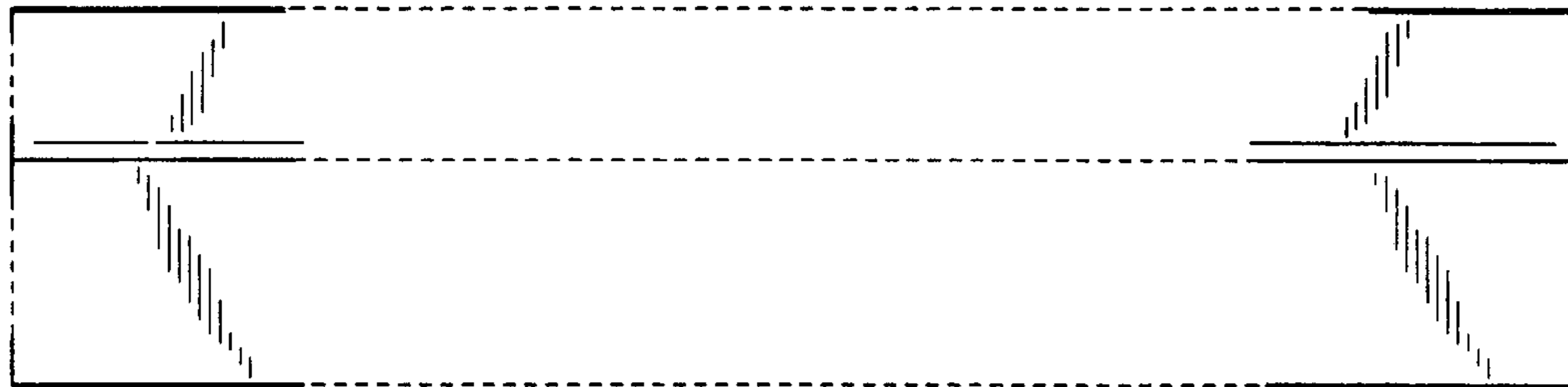


FIG. 3



FIG. 4

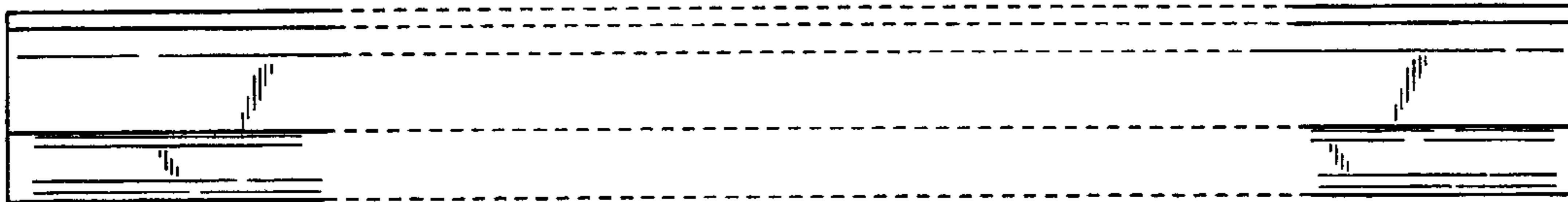


FIG. 5

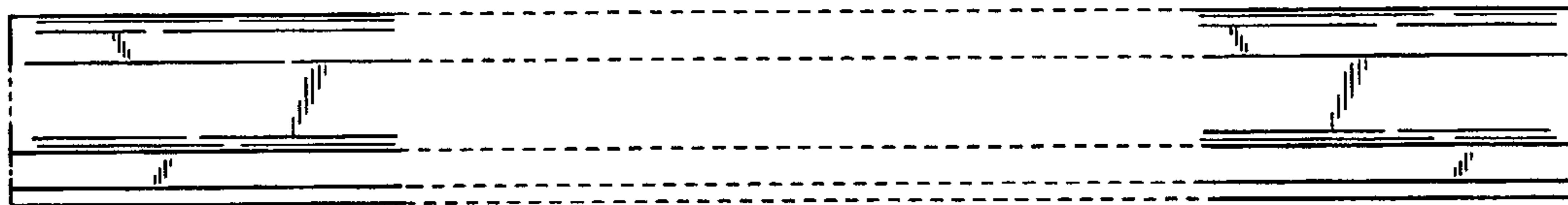
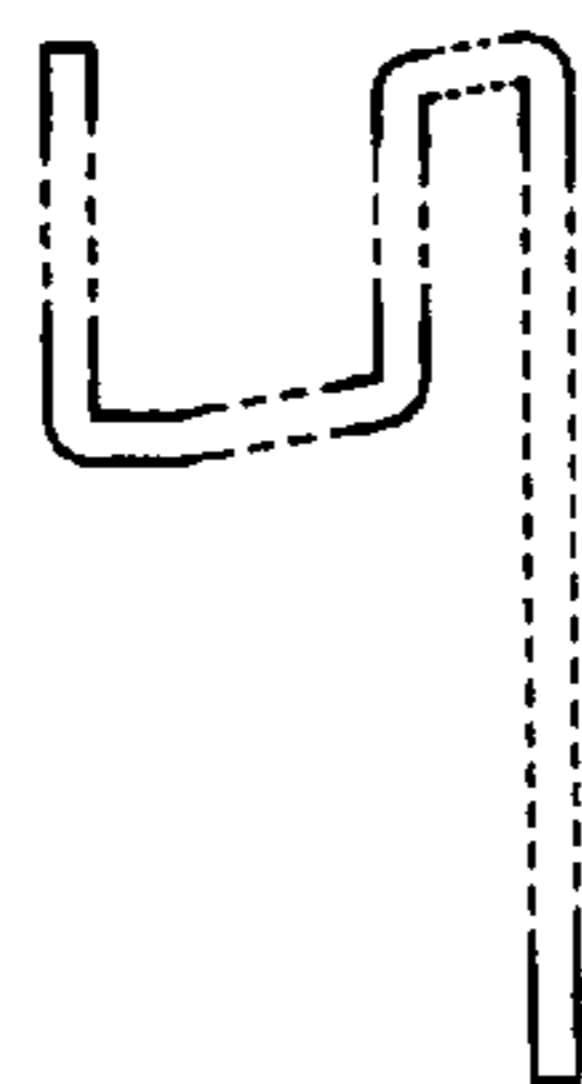


FIG. 6



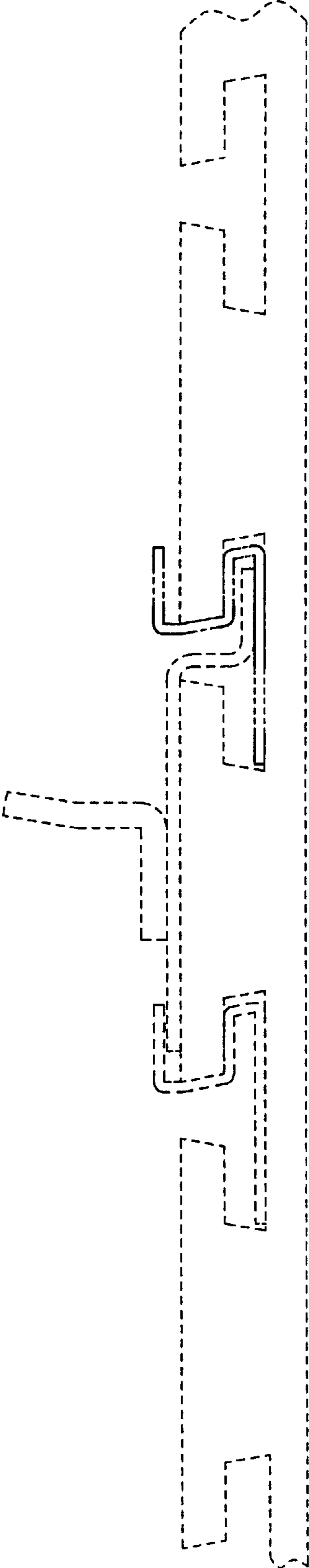


FIG. 7