



US00D513532S

(12) **United States Design Patent**
Flores

(10) **Patent No.:** **US D513,532 S**
(45) **Date of Patent:** **** Jan. 10, 2006**

- (54) **PORTION OF A CEILING FAN HOUSING**
 - (75) Inventor: **Miguel Flores**, Riverside, CA (US)
 - (73) Assignee: **Minka Lighting, Inc.**, Corona, CA (US)
 - (**) Term: **14 Years**
 - (21) Appl. No.: **29/211,397**
 - (22) Filed: **Aug. 16, 2004**
 - (51) **LOC (8) Cl.** **23-04**
 - (52) **U.S. Cl.** **D23/411**
 - (58) **Field of Classification Search** D23/377,
D23/379, 385, 411, 413; 416/5; 392/364;
D26/59, 81–88, 72; 362/96
- See application file for complete search history.

(56) **References Cited**

U.S. PATENT DOCUMENTS

- D392,033 S * 3/1998 Jaspers-Fayer D23/377
- D396,101 S * 7/1998 Jaspers-Fayer D23/377
- D402,026 S * 12/1998 Chuang et al. D23/377
- D484,233 S * 12/2003 Bucher et al. D23/377

OTHER PUBLICATIONS

- Minka Aire; *The Art of Air Management*; Jan. 2000; Churchill Model; pp. 16–17.
- Minka Aire; *The Art of Air Management*; Jan. 2000; Clasique Model; pp. 20–21.
- Minka Aire; *The Art of Air Management*; Jan. 2002; Chantal Model; pp. 34–35.
- Minka Aire; *The Art of Air Management*; Jan. 2004; Napoli Model; pp. 30–31.

Home Lighting & Accessories; Jun. 2004; Summer Collections/Savoy House Model; pp. 50–51.
Item No. 839142ST; Iron Pendant Similar Iron Scrollwork; Fine Art Lamps 2003.
Item No. Unknown; Similar Carved Scrollwork; from Montaaage Vini Collection; Montaaage 2003.

* cited by examiner

Primary Examiner—Lisa Lichtenstein

(74) *Attorney, Agent, or Firm*—Baker & McKenzie LLP

(57) **CLAIM**

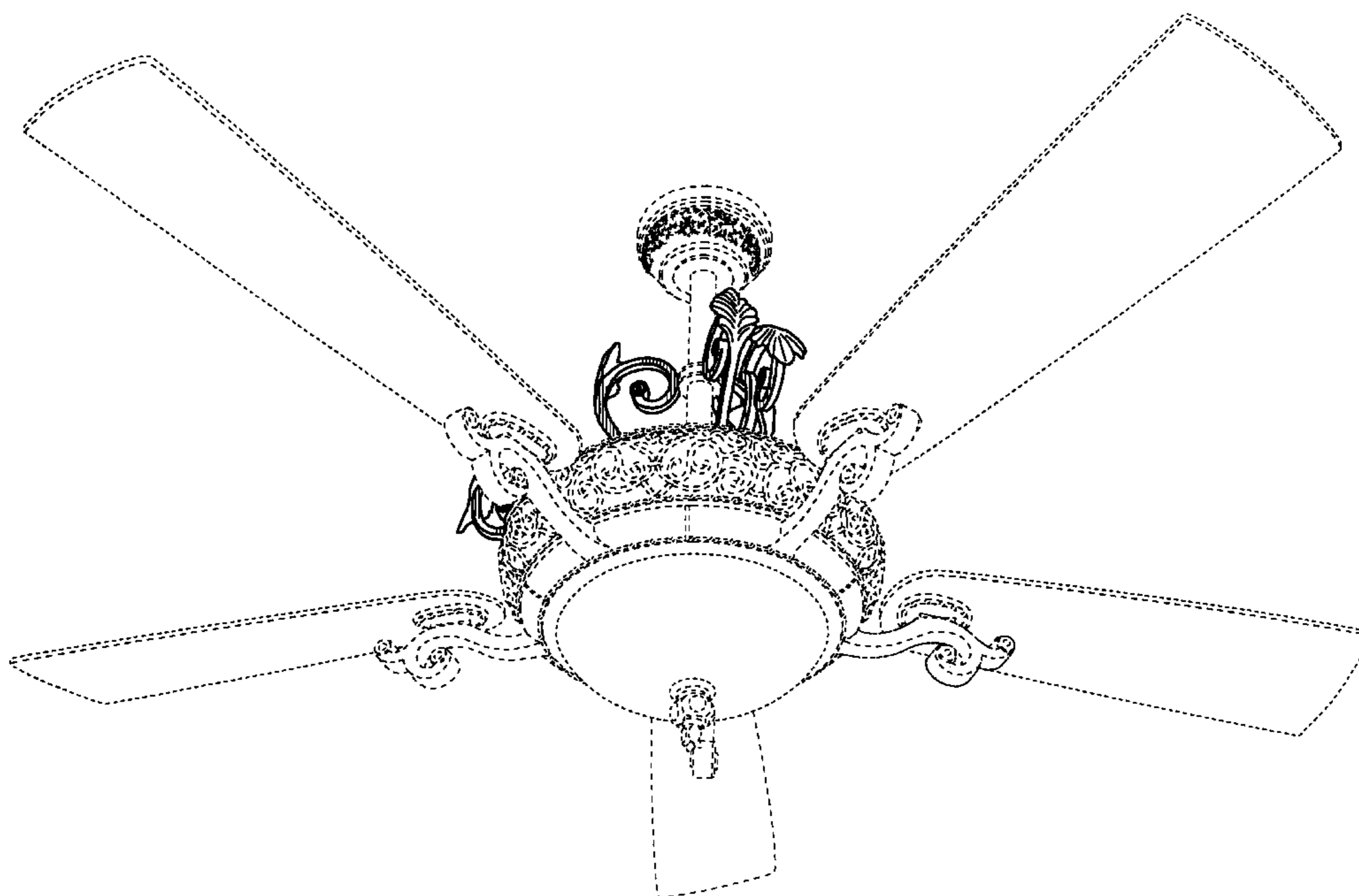
The ornamental design for the portion of a ceiling fan housing, as shown and described.

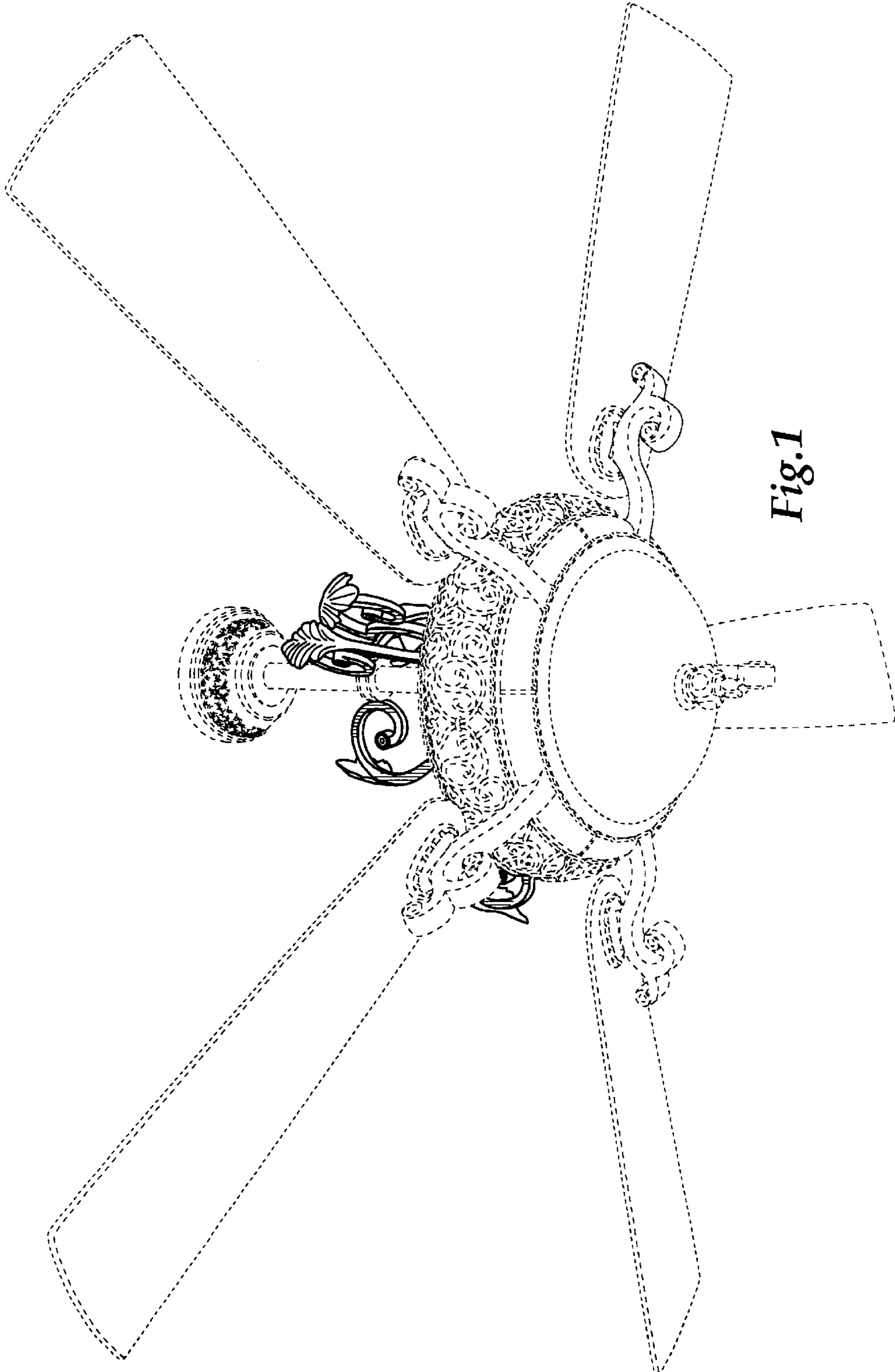
DESCRIPTION

FIG. 1 is a perspective view from below of a portion of a ceiling fan housing in accordance with my design;
FIG. 2 is an enlarged perspective view from below of the portion of a ceiling fan housing in accordance with my design;
FIG. 3 is a reduced bottom plan view of the portion of a ceiling fan housing in accordance with my design;
FIG. 4 is a reduced top plan view of the portion of a ceiling fan housing in accordance with my design;
FIG. 5 is a front elevation view of the portion of a ceiling fan housing in accordance with my design; and,
FIG. 6 is a side elevation view of the portion of a ceiling fan housing in accordance with my design.

The broken lines showing environmental structure are for illustrative purposes and form no part of the claimed design.

1 Claim, 6 Drawing Sheets





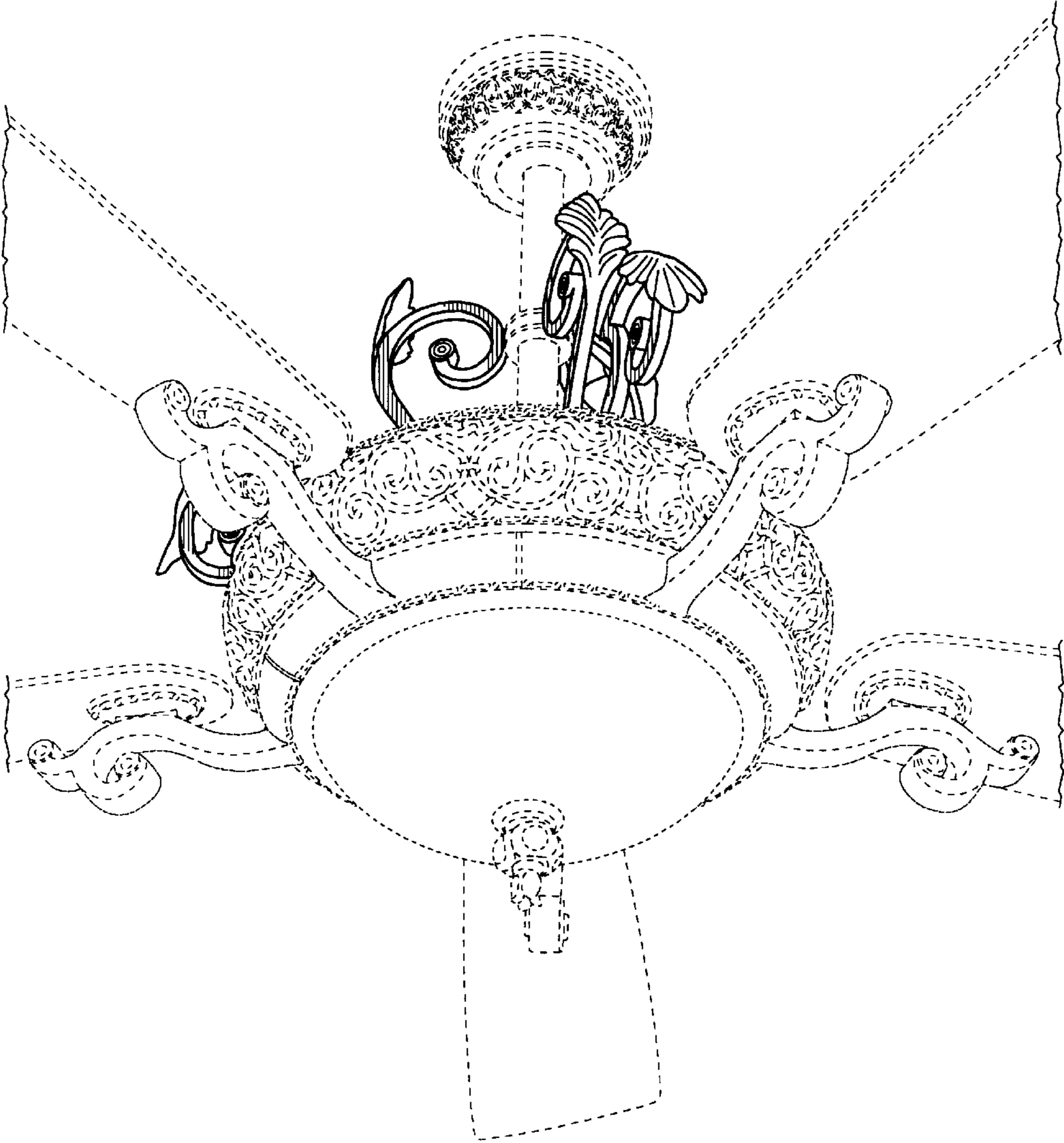


Fig.2

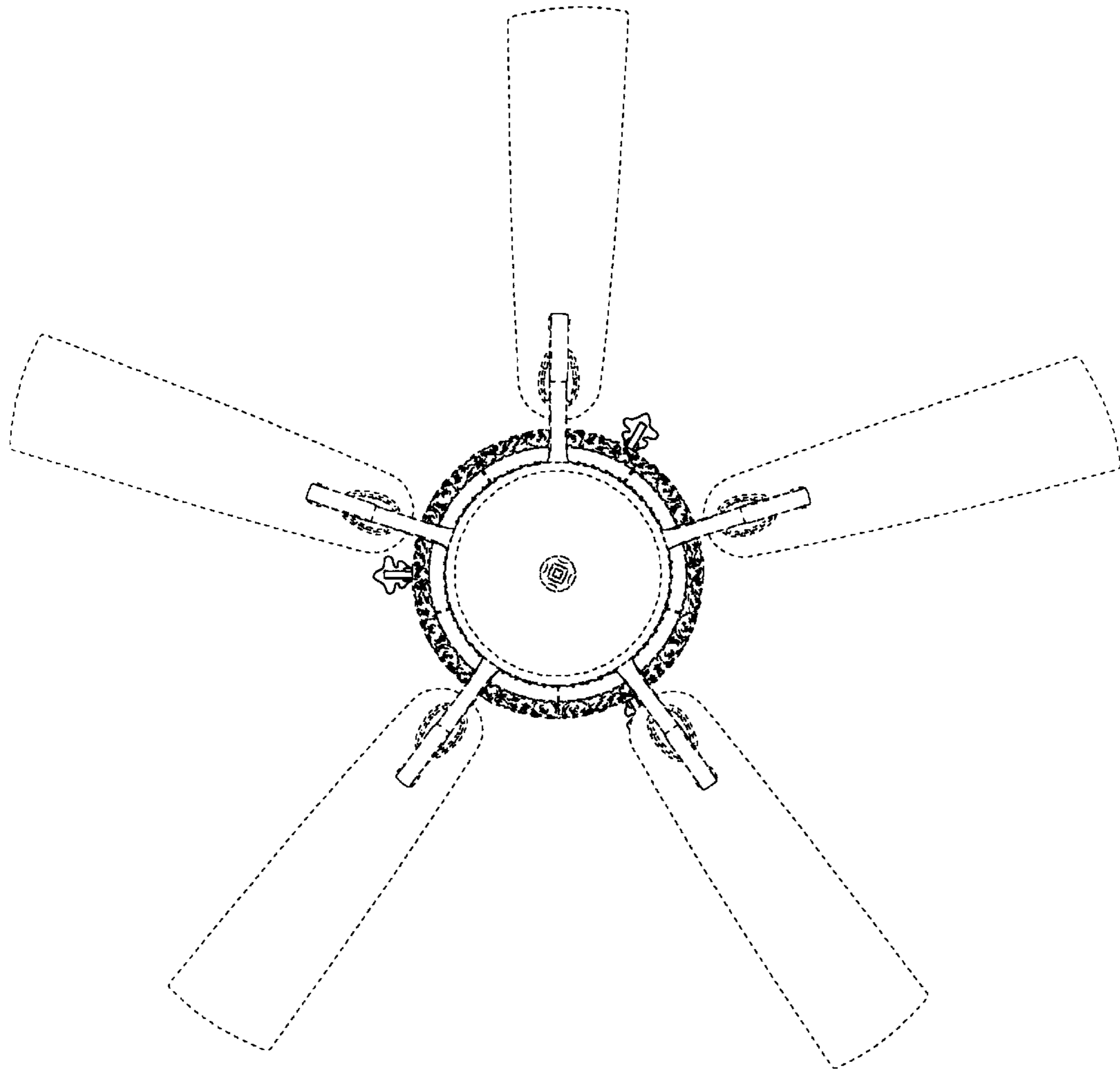


Fig.3

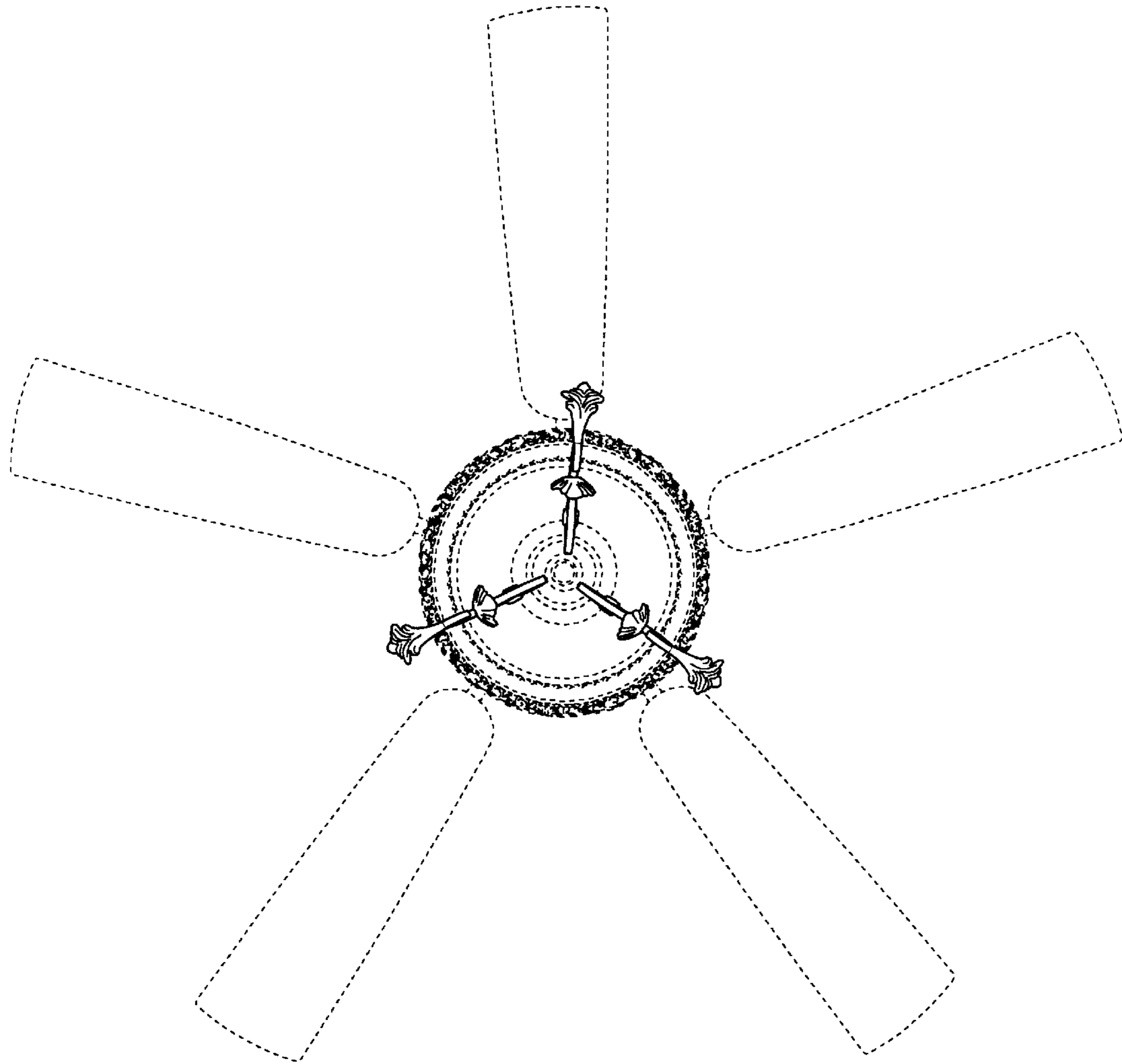


Fig.4

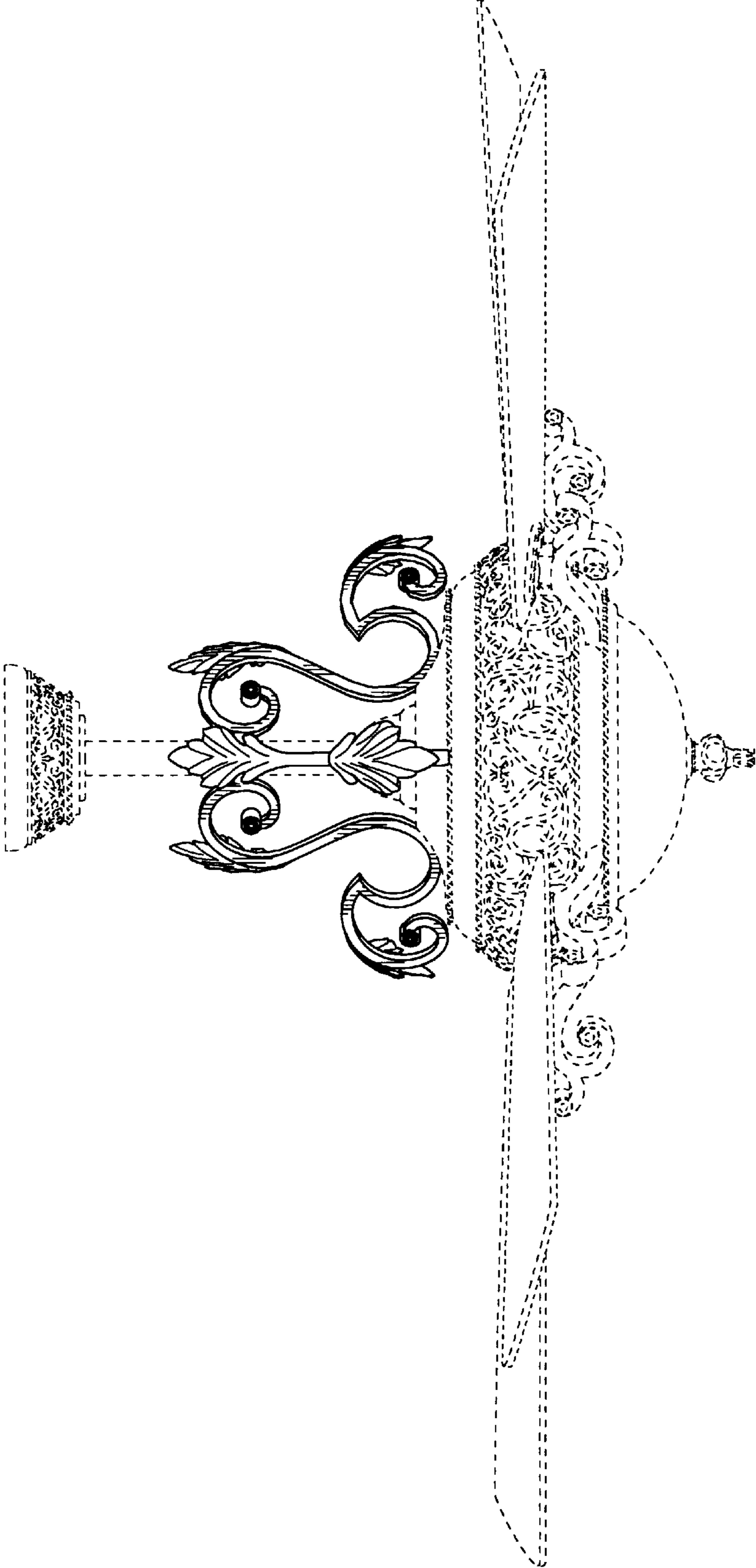


Fig.5

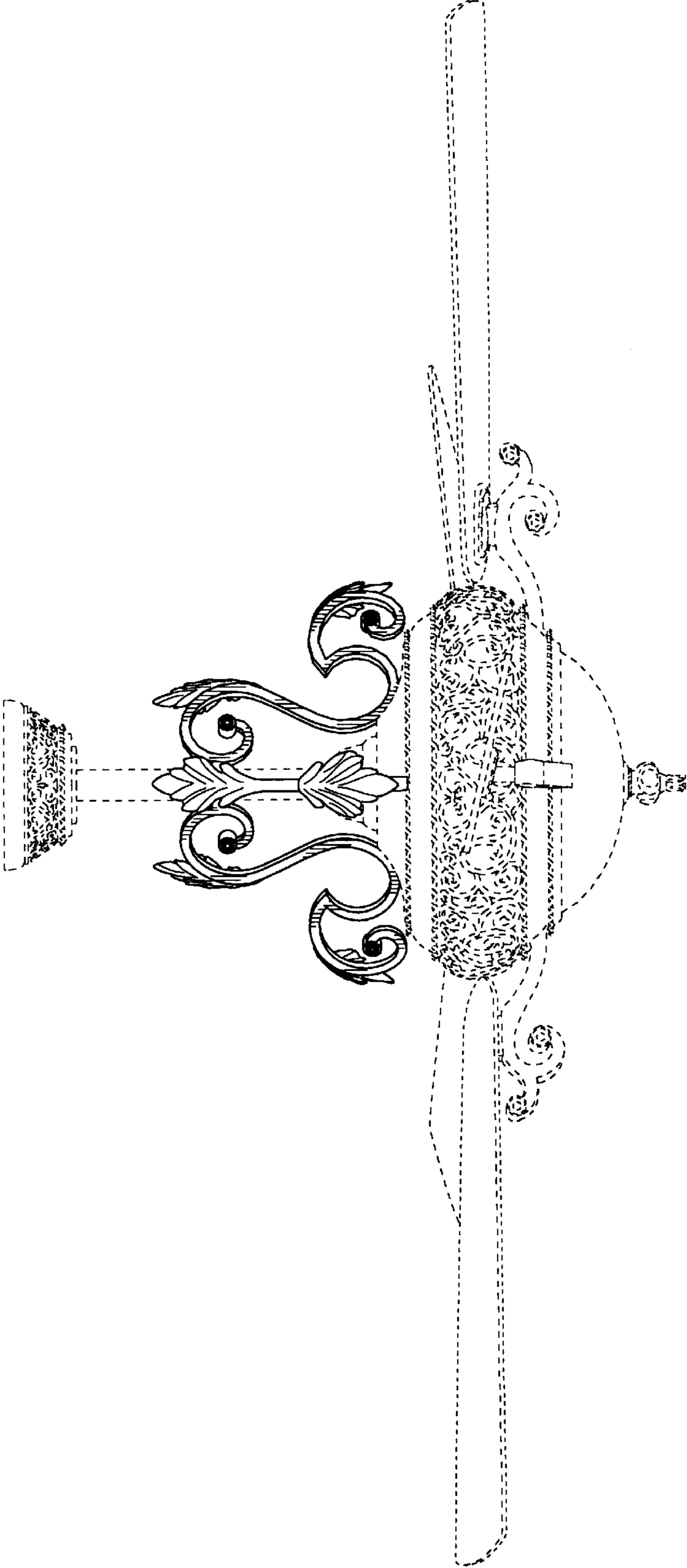


Fig.6