



US00D513531S

(12) **United States Design Patent**
Hidalgo

(10) **Patent No.:** **US D513,531 S**
(45) **Date of Patent:** **** Jan. 10, 2006**

- (54) **CEILING FAN BLADE IRON**
- (75) Inventor: **Rolando Hidalgo**, Orange, CA (US)
- (73) Assignee: **Minka Lighting, Inc.**, Corona, CA (US)
- (**) Term: **14 Years**
- (21) Appl. No.: **29/206,339**
- (22) Filed: **May 27, 2004**
- (51) **LOC (8) Cl.** **23-04**
- (52) **U.S. Cl.** **D23/411**
- (58) **Field of Classification Search** D23/377,
D23/379, 385, 411; 392/364; 416/5, 210 R
See application file for complete search history.

(56) **References Cited**

U.S. PATENT DOCUMENTS

D352,997 S	*	11/1994	DiPasquale	D23/411
D454,630 S	*	3/2002	Hidalgo	D23/377
D480,129 S	*	9/2003	Curtin	D23/377
D480,797 S	*	10/2003	Young	D23/411

OTHER PUBLICATIONS

- Minka Aire—The Art of Air Management, p. 19, Jan. 1998, Minka Lighting, Inc., USA.
- Minka Aire—The Art of Air Management, p. 31, Jan. 1998, Minka Lighting, Inc., USA.
- U.S. Appl. No. 29/206,380, filed May 27, 2004, Rolando Hidalgo.
- U.S. Appl. No. 29/206,346, filed May 27, 2004, Rolando Hidalgo.
- U.S. Appl. No. 29/206,379, filed May 27, 2004, Rolando Hidalgo.

Minka Aire 2000; p. 24, Jan. 2000, Minka Lighting, Inc. USA.

Minka Aire 2004; pp. 42–43, Jan. 2004, Minka Lighting, Inc. USA.

* cited by examiner

Primary Examiner—Lisa Lichtenstein

(74) *Attorney, Agent, or Firm*—Baker & McKenzie LLP

(57) **CLAIM**

The ornamental design for the ceiling fan blade iron, as shown and described.

DESCRIPTION

FIG. 1 is a perspective view from below of a ceiling fan blade iron in accordance with my design, including the environment thereof;

FIG. 2 is a perspective view from below of a ceiling fan blade iron in accordance with my design;

FIG. 3 is a top plan view of the ceiling fan blade iron in accordance with my design;

FIG. 4 is a bottom plan view of the ceiling fan blade iron in accordance with my design;

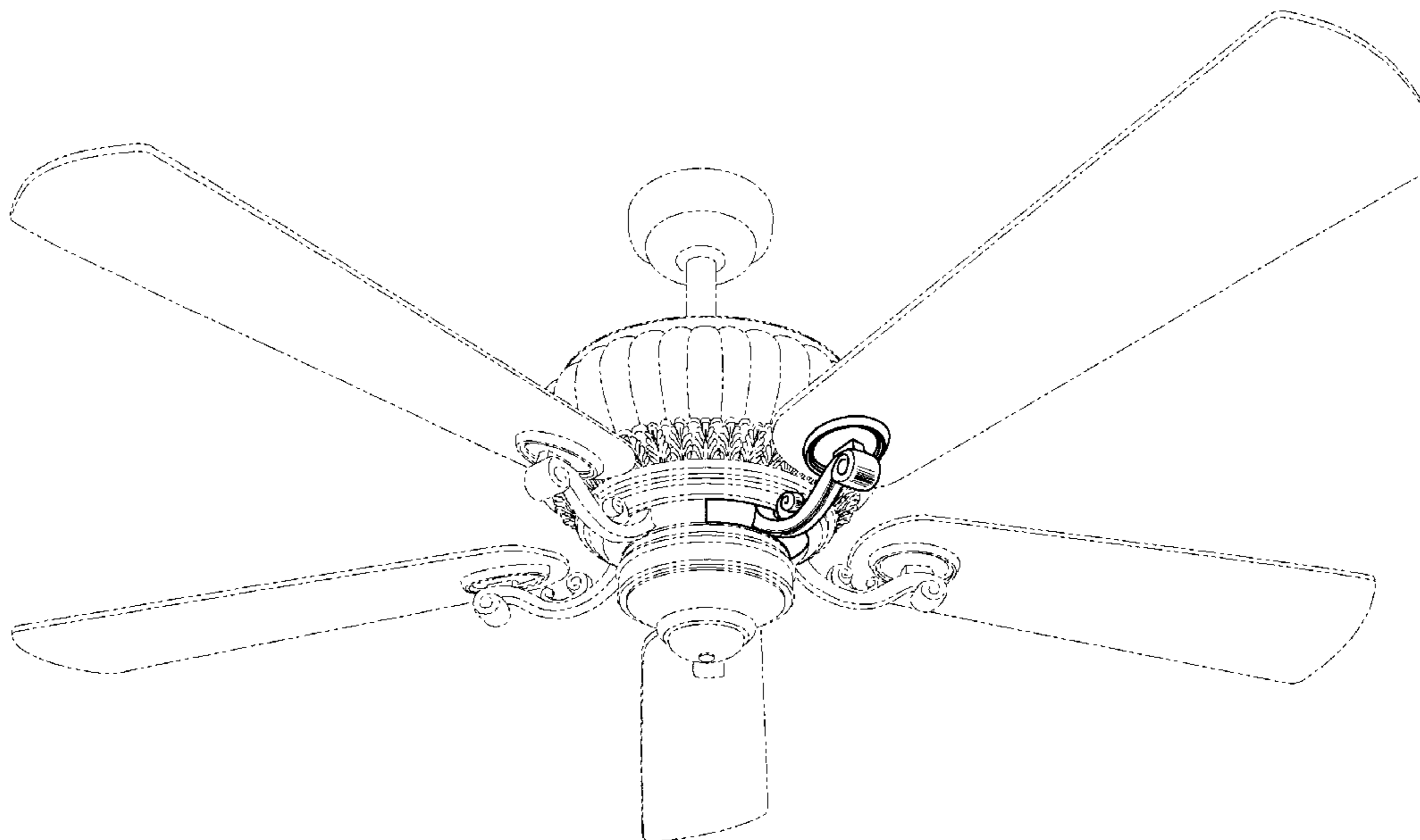
FIG. 5 is a side elevation view of the ceiling fan blade iron in accordance with my design the opposite side being a mirror image of that shown;

FIG. 6 is a distal view of the ceiling fan blade iron in accordance with my design; and,

FIG. 7 is a proximal view of the ceiling fan blade iron in accordance with my design.

The broken lines showing environmental structure are for illustrative purposes and form no part of the claimed design.

1 Claim, 3 Drawing Sheets



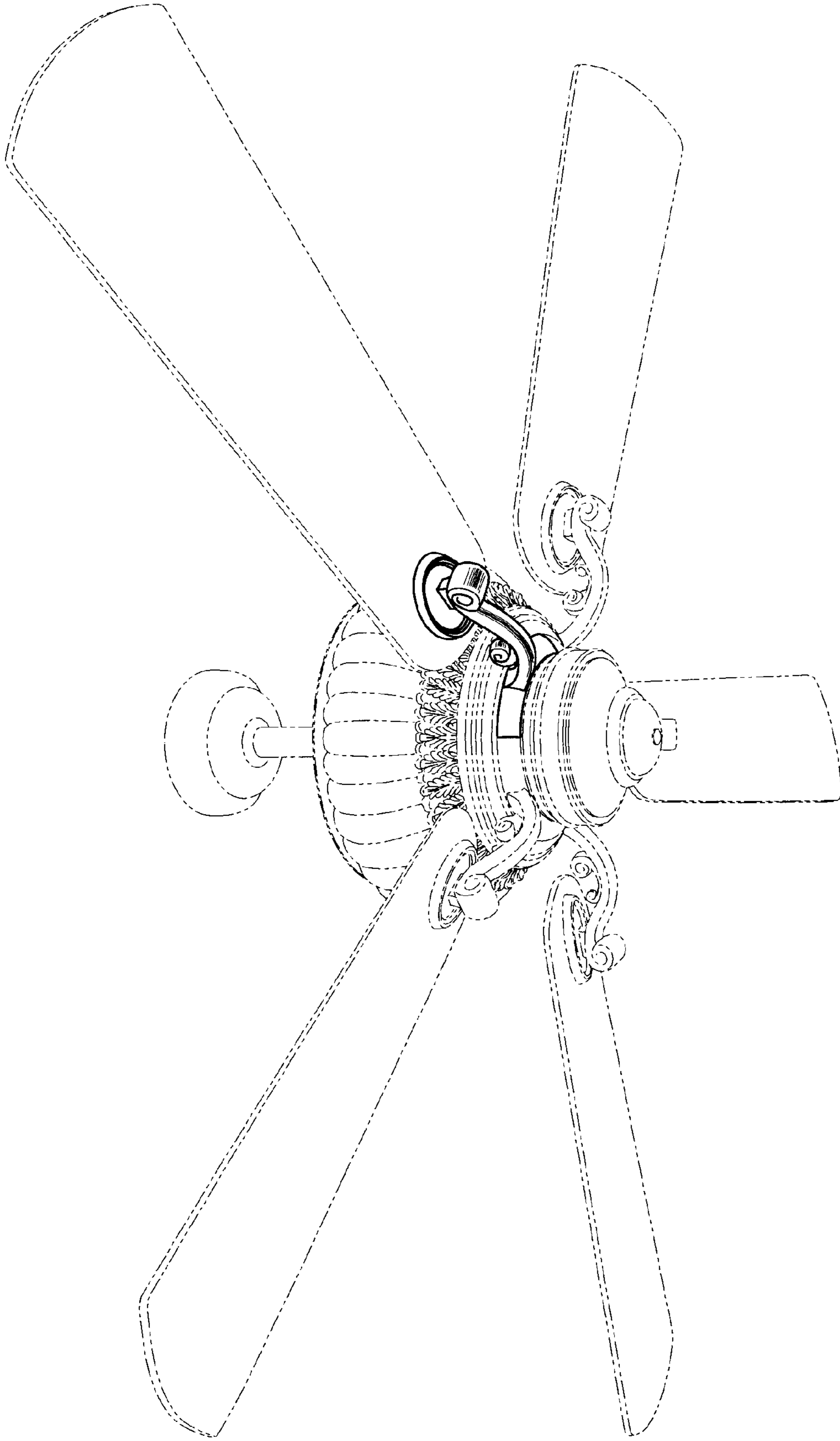


Fig. 1

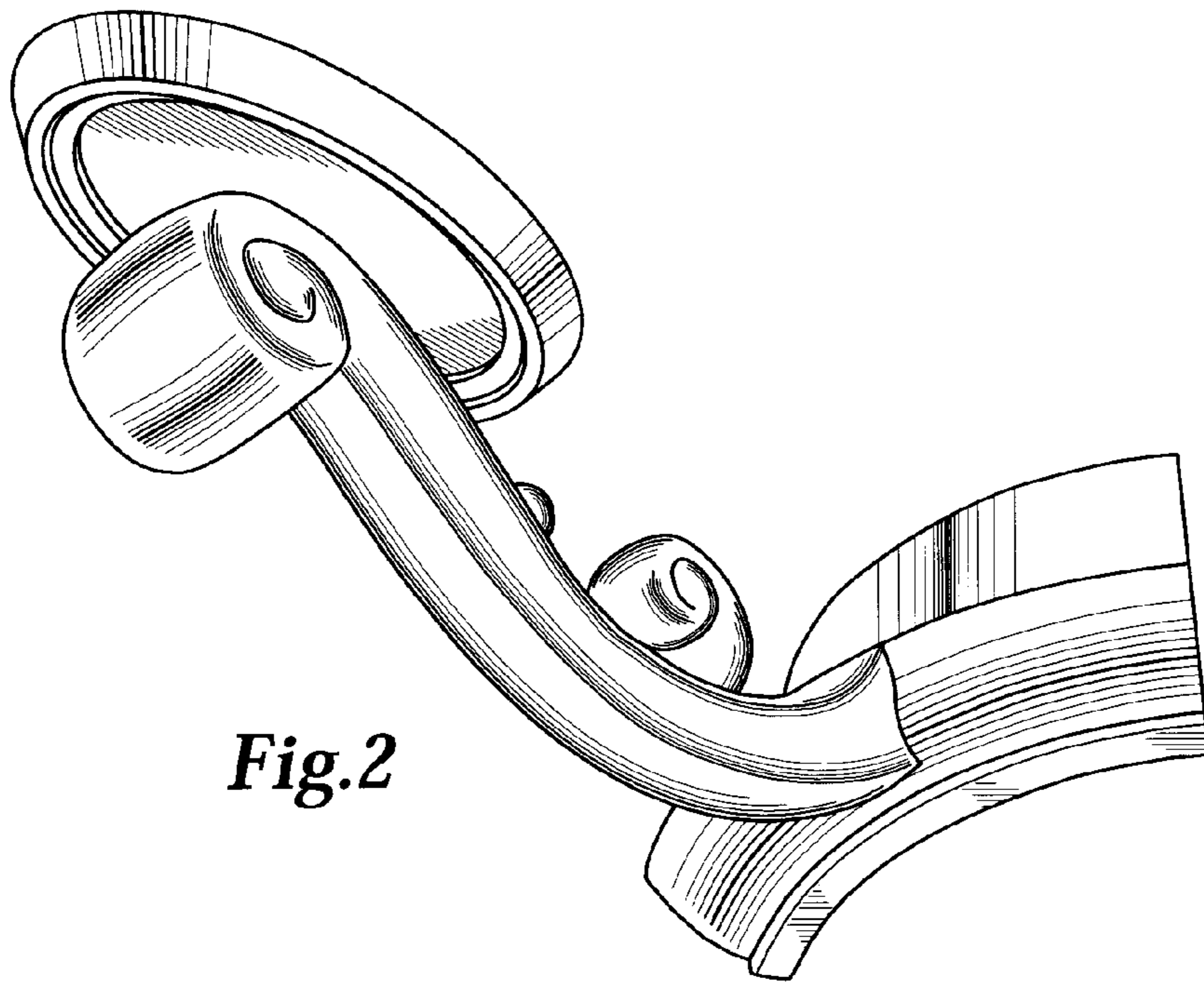


Fig. 2

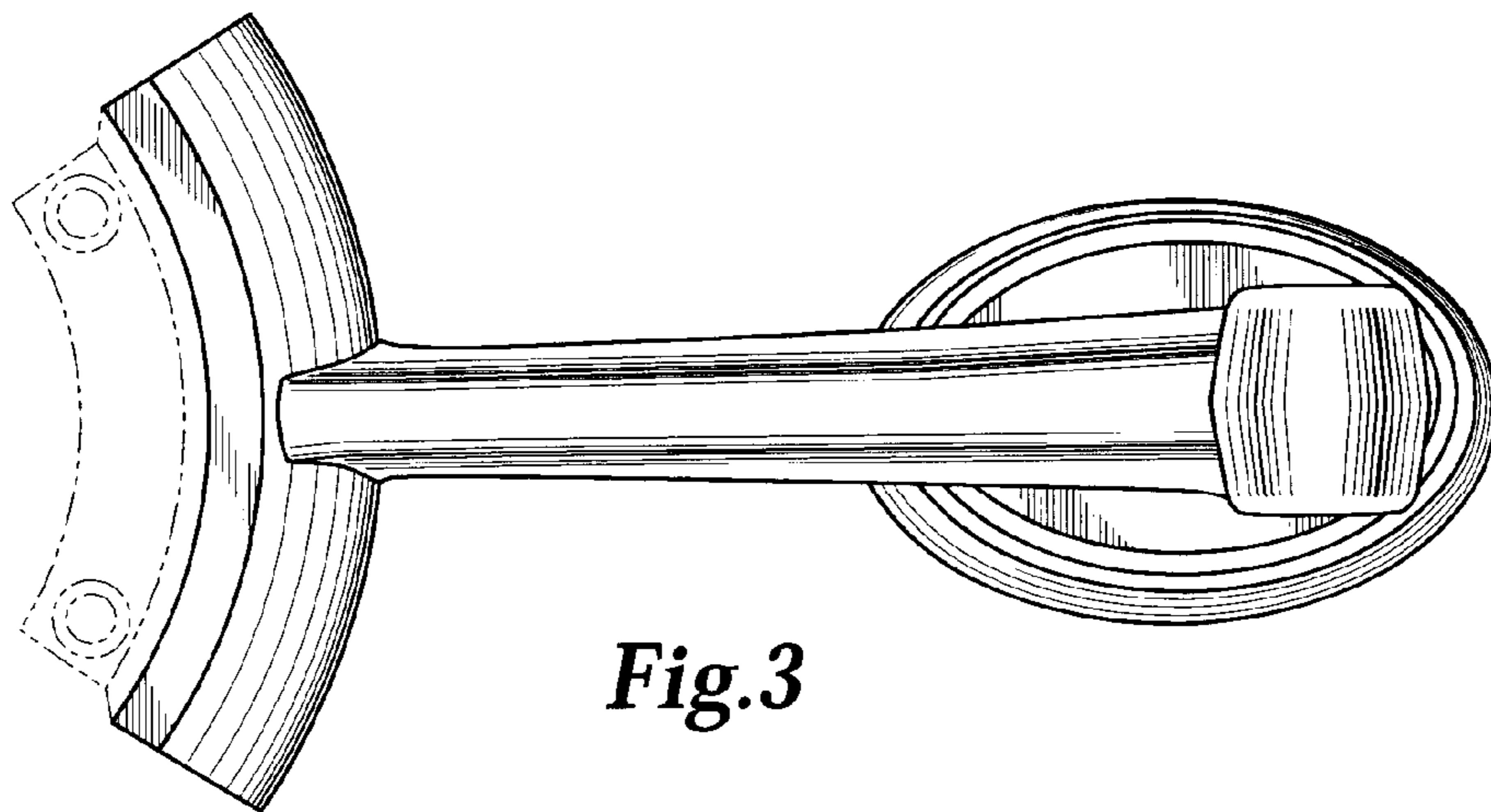


Fig. 3

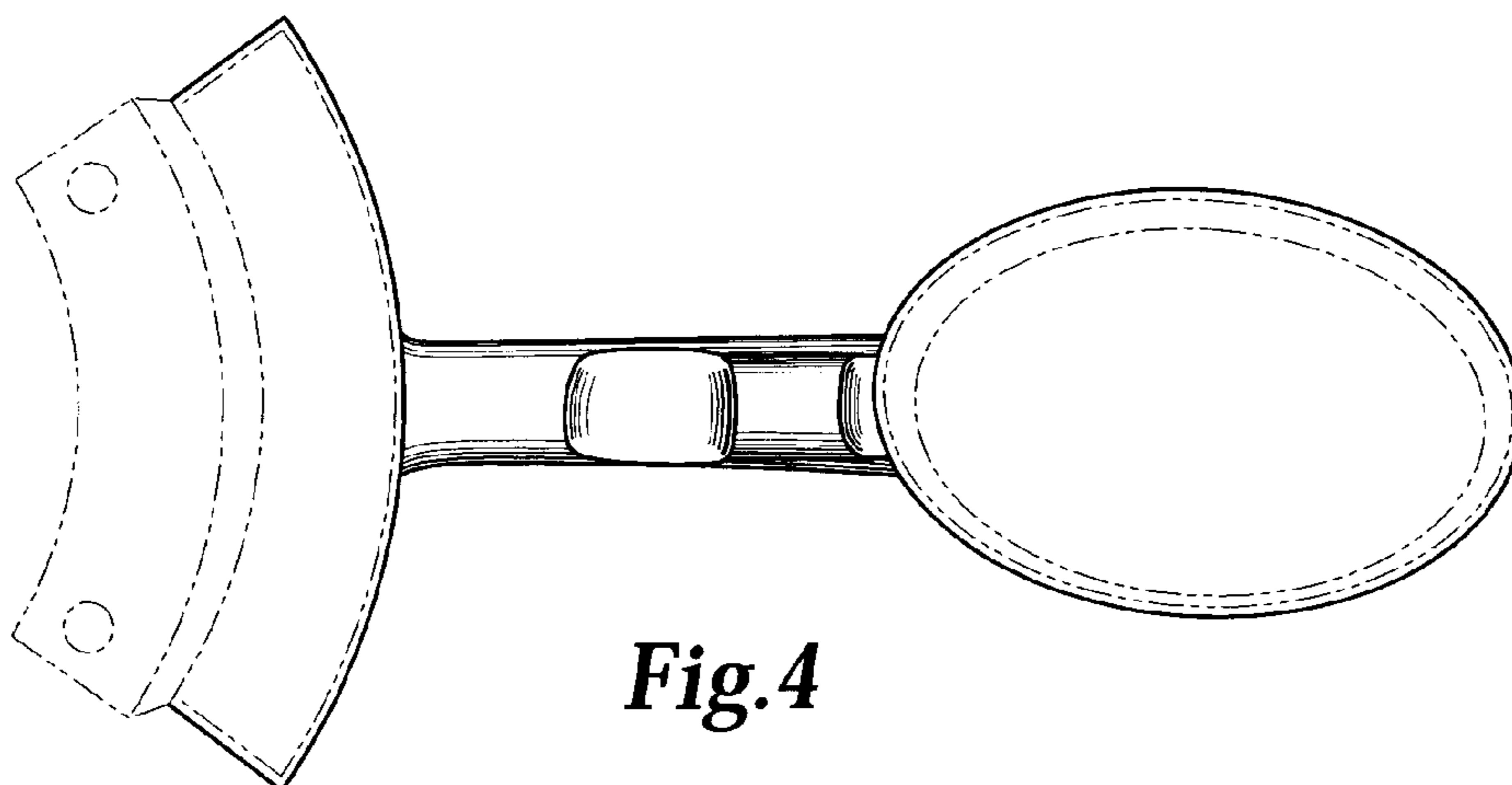


Fig. 4

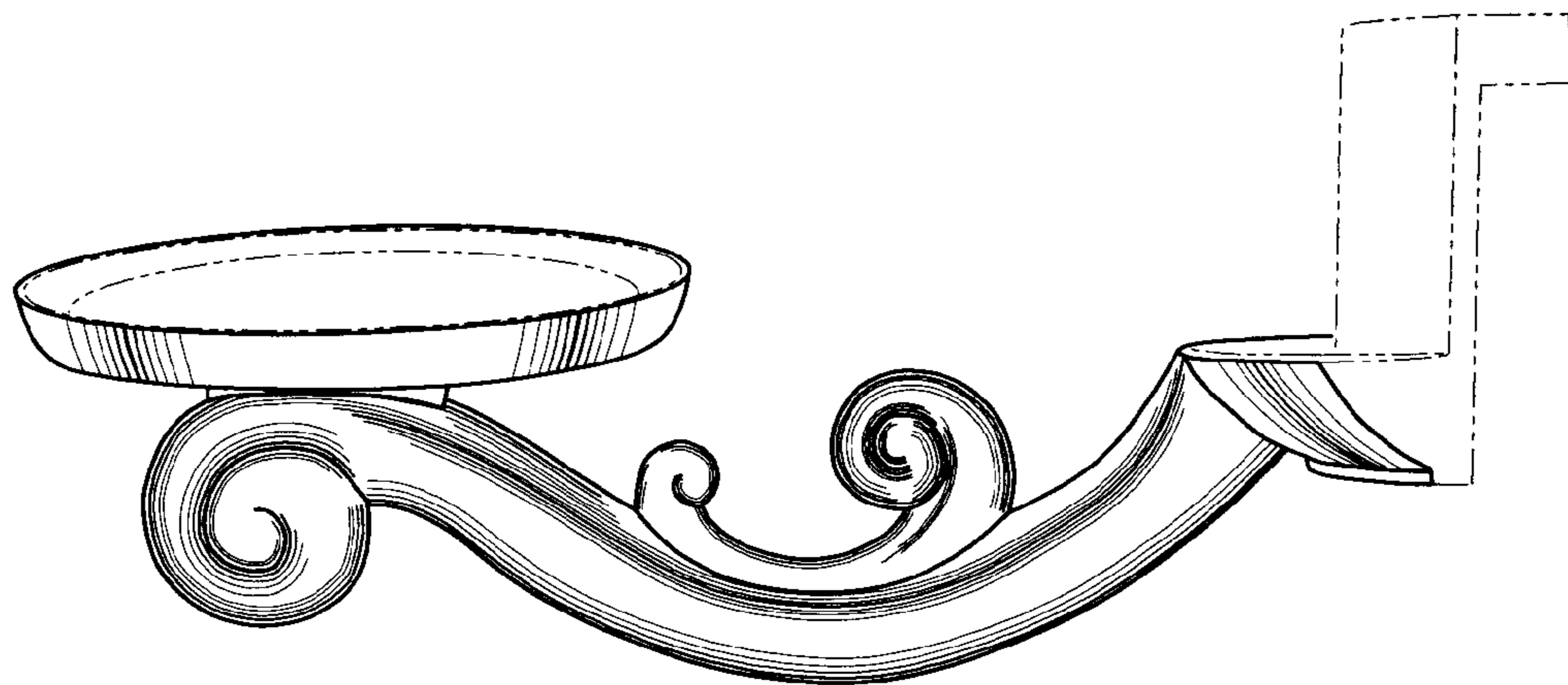


Fig.5

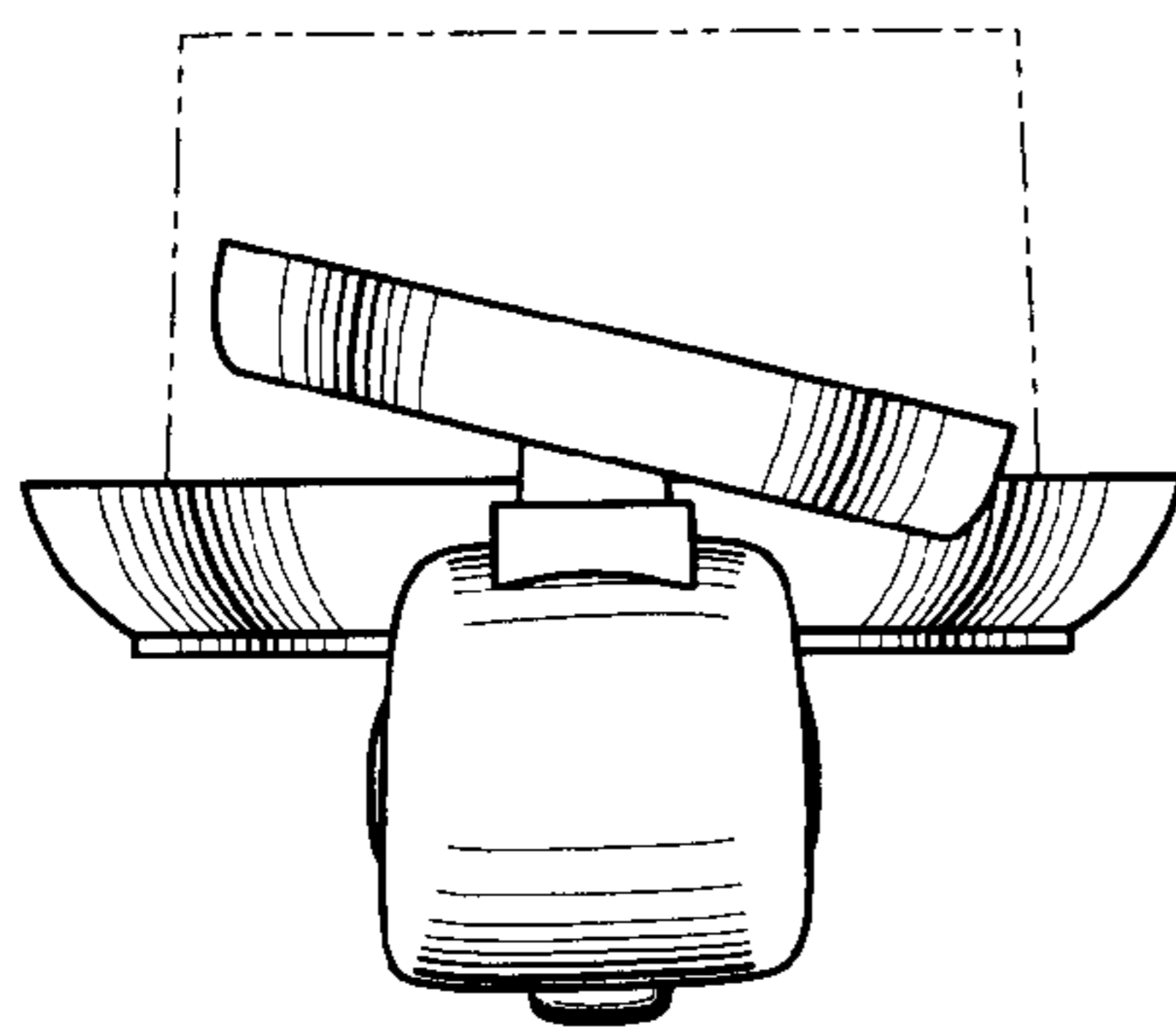


Fig.6

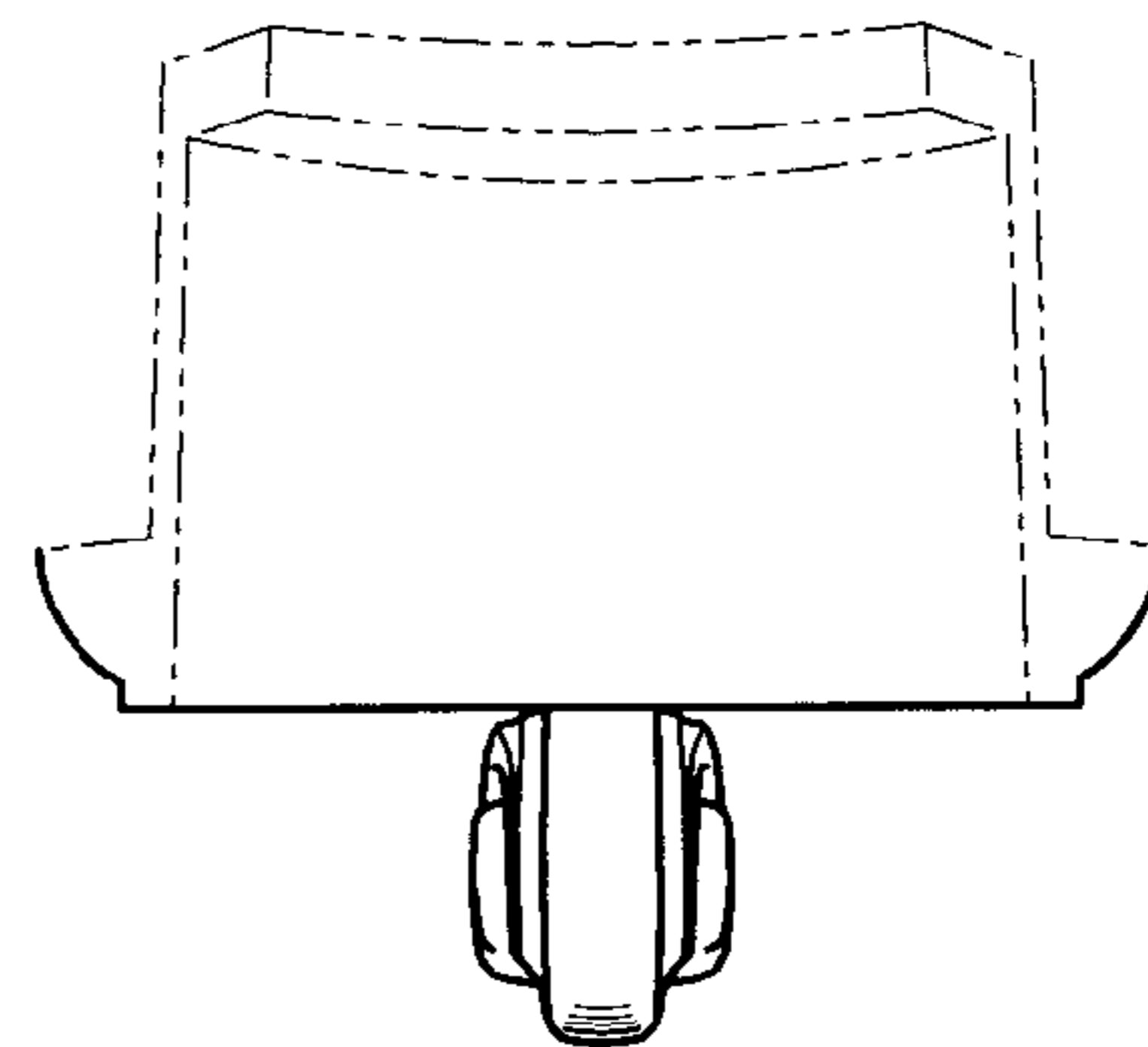


Fig.7