



US00D513530S

(12) **United States Design Patent**
Chen et al.

(10) **Patent No.: US D513,530 S**
(45) **Date of Patent: ** Jan. 10, 2006**

(54) **FAN**
(75) Inventors: **Te-Fu Chen**, Taoyuan Hsien (TW);
Tsung-Yu Lei, Taoyuan Hsien (TW);
Hao-Wen Ko, Taoyuan Hsien (TW);
Hao-Ming Chen, Taoyuan Hsien (TW)

D487,800 S * 3/2004 Chen et al. D23/370
6,749,398 B2 * 6/2004 Lu et al. 415/121.2

* cited by examiner

(73) Assignee: **Delta Electronics Inc.**, Taoyuan Hsien (TW)

Primary Examiner—Lisa Lichtenstein
(74) *Attorney, Agent, or Firm*—Birch, Stewart, Kolasch & Birch, LLP

(**) Term: **14 Years**

(57) **CLAIM**

The ornamental design for a fan, as shown and described herein.

(21) Appl. No.: **29/202,512**

(22) Filed: **Apr. 1, 2004**

DESCRIPTION

(51) **LOC (8) Cl.** **23-04**

(52) **U.S. Cl.** **D23/379**

(58) **Field of Classification Search** D23/379,
D23/370, 371; 415/213.1, 214.1

See application file for complete search history.

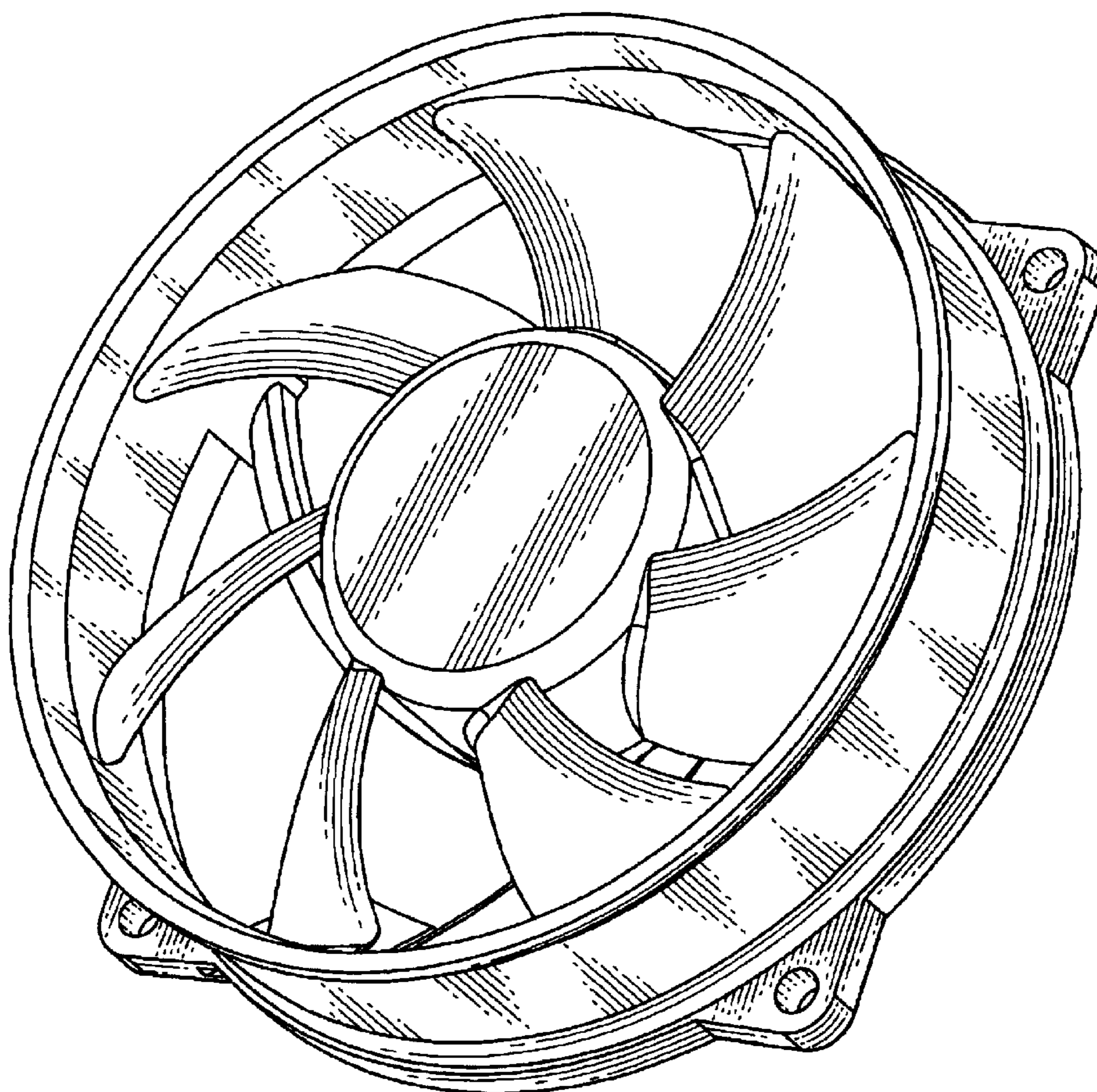
FIG. 1 is a perspective view of a fan;
FIG. 2 is a right side elevational view thereof;
FIG. 3 is a top plan view thereof;
FIG. 4 is a front elevational view thereof;
FIG. 5 is a bottom plan view thereof;
FIG. 6 is a left side elevational view thereof; and,
FIG. 7 is a rear elevational view thereof.

(56) **References Cited**

U.S. PATENT DOCUMENTS

D297,761 S * 9/1988 Shiraki D23/385

1 Claim, 7 Drawing Sheets



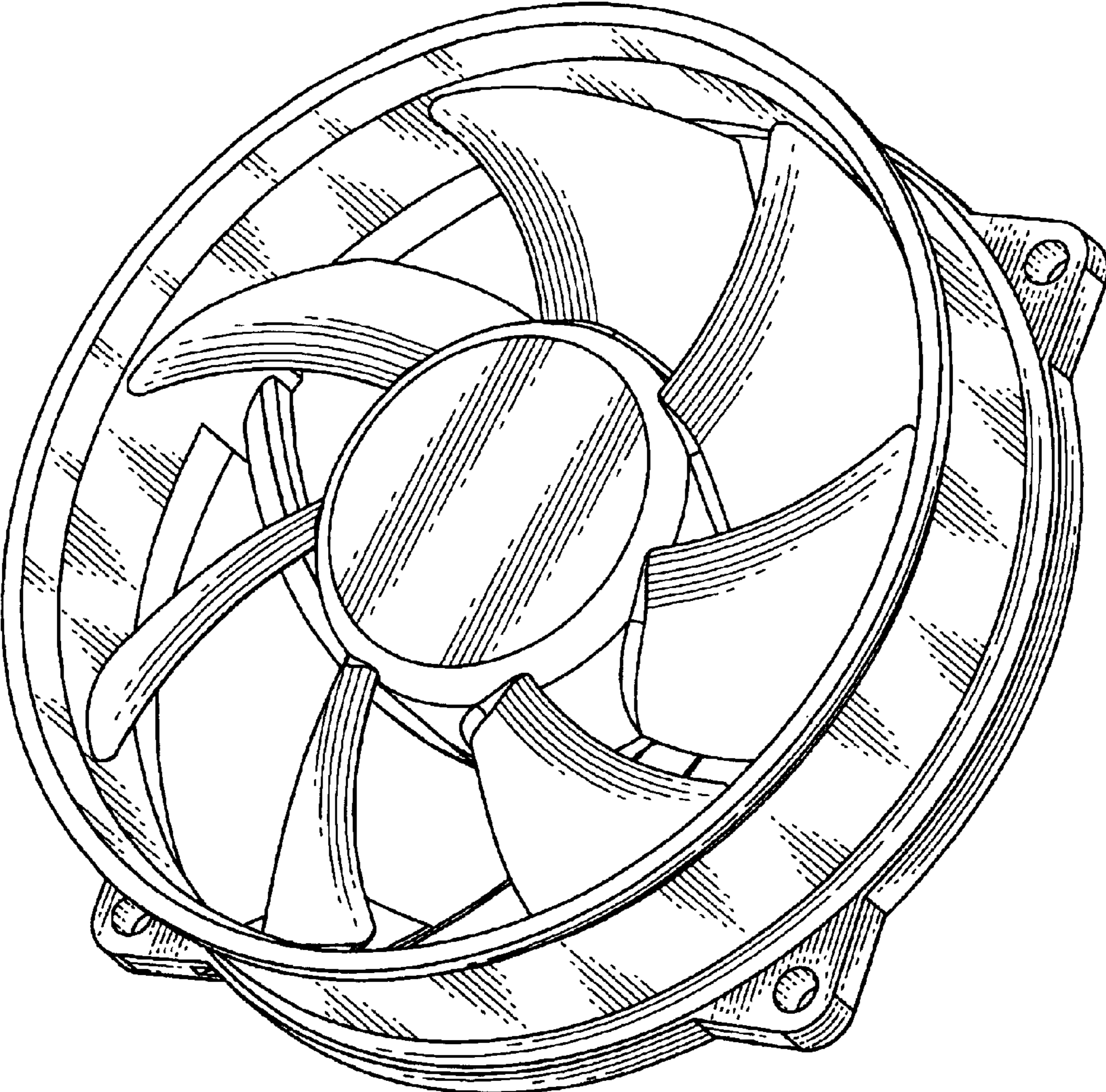


FIG. 1

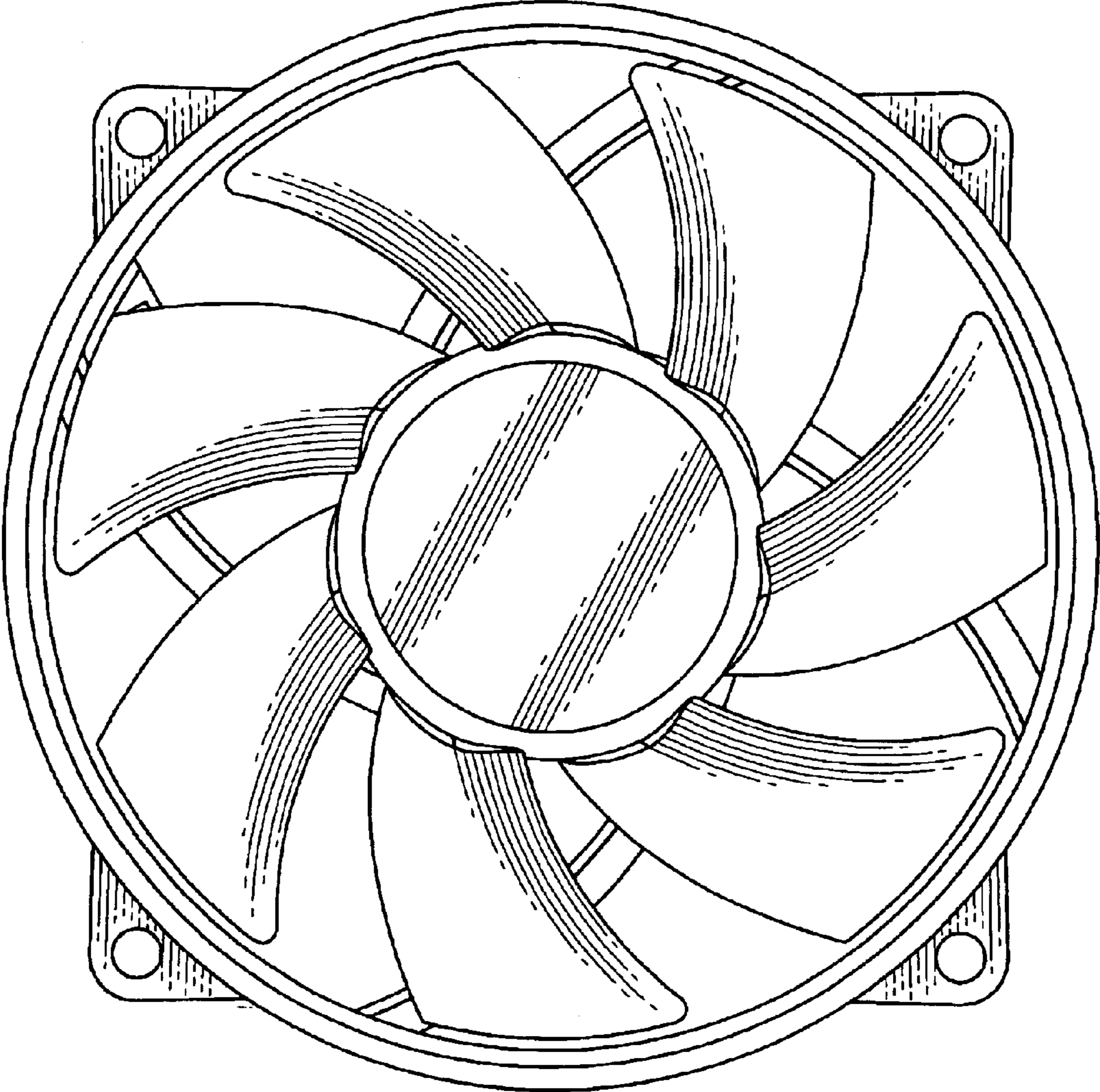


FIG. 2

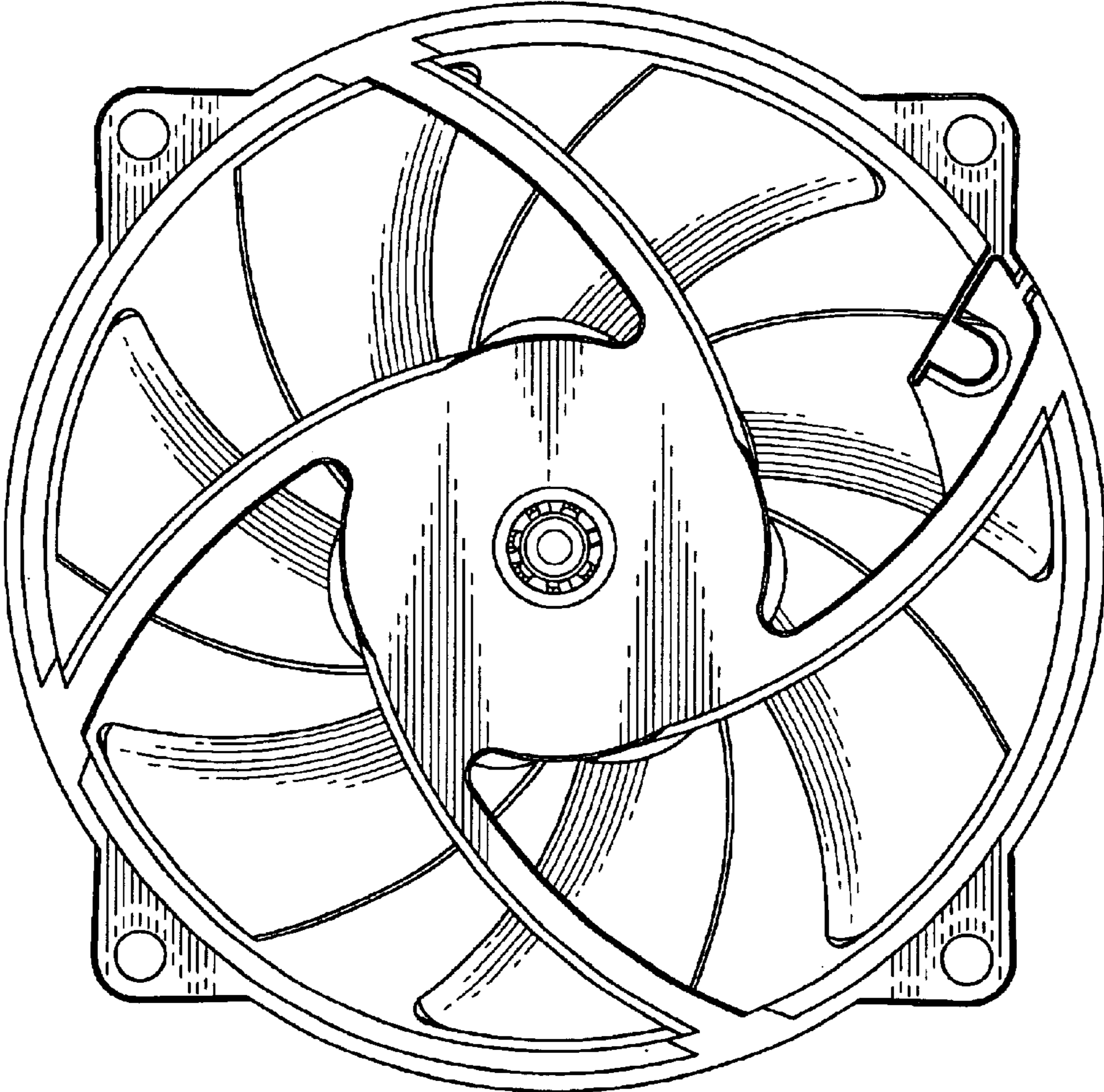


FIG. 3

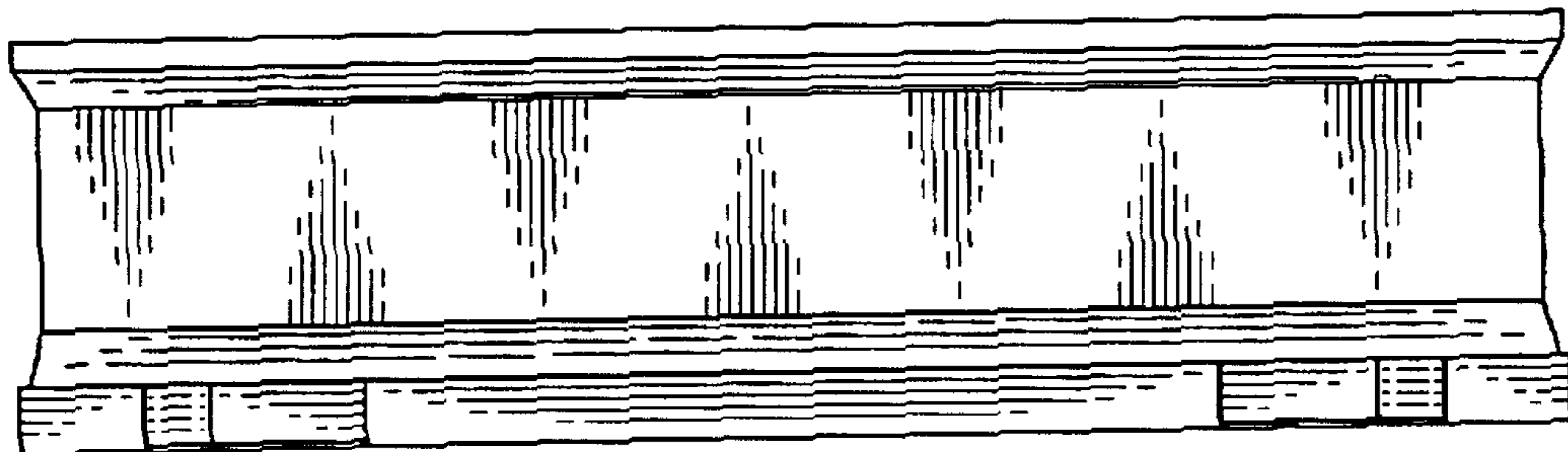


FIG. 4

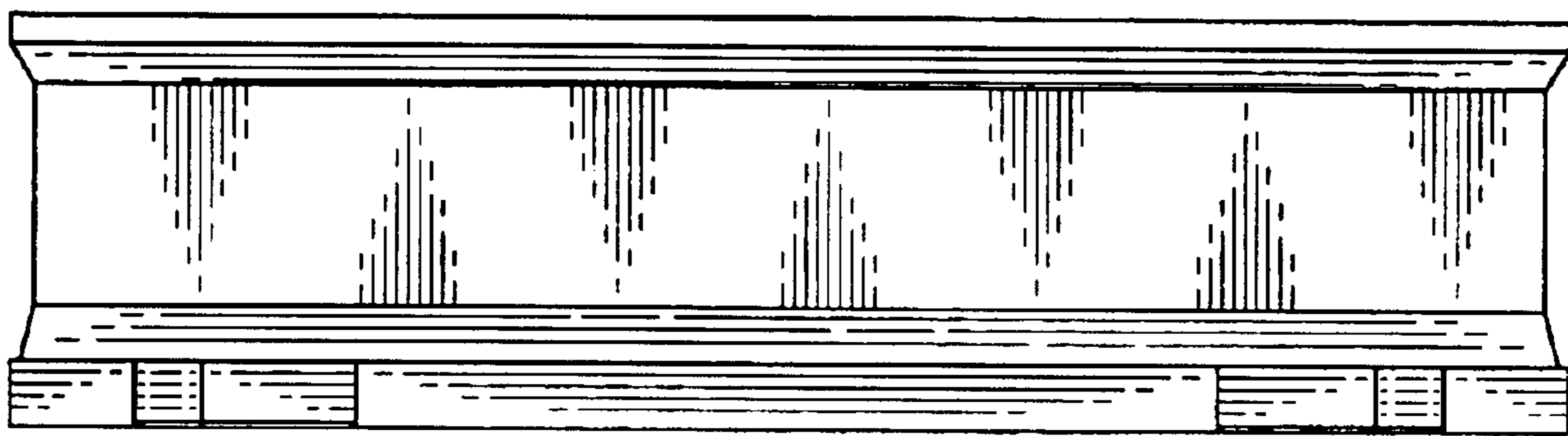


FIG. 5

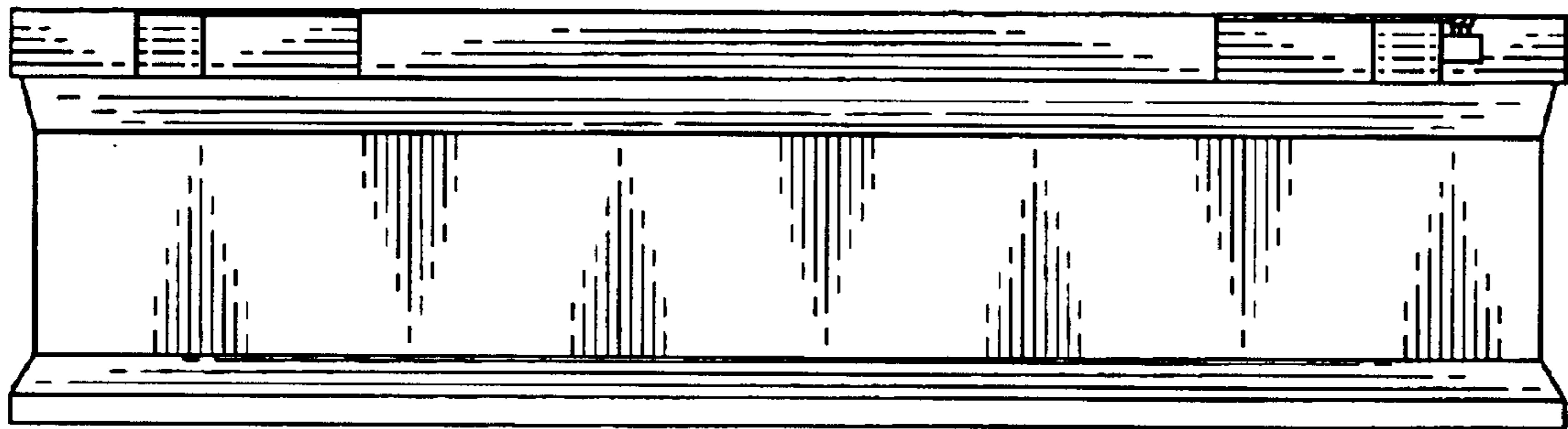


FIG. 6

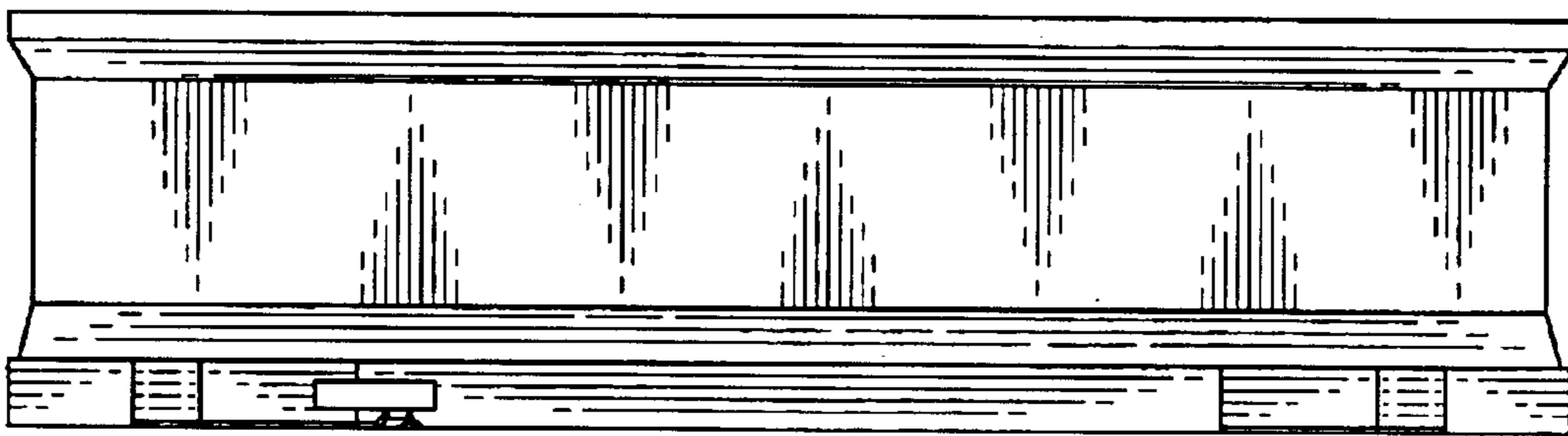


FIG. 7