



US00D513526S

(12) **United States Design Patent**
Marshall

(10) **Patent No.:** **US D513,526 S**
(45) **Date of Patent:** **** Jan. 10, 2006**

(54) **SANITARY FAUCET**

(75) **Inventor:** **Chris Marshall**, Cumming, GA (US)

(73) **Assignee:** **Hansgrohe AG**, Schiltach (DE)

(**) **Term:** **14 Years**

(21) **Appl. No.:** **29/195,433**

(22) **Filed:** **Dec. 11, 2003**

(51) **LOC (8) Cl.** **23-01**

(52) **U.S. Cl.** **D23/238**

(58) **Field of Classification Search** D23/238-257;
4/675-678; 137/801

See application file for complete search history.

(56) **References Cited**

U.S. PATENT DOCUMENTS

D428,965 S	*	8/2000	Slothower	D23/238
D460,150 S	*	7/2002	Rexach	D23/238
D479,309 S	*	9/2003	Haug et al.	D23/238
D479,310 S	*	9/2003	Ziemann	D23/238
D503,777 S	*	4/2005	Costello et al.	D23/255

OTHER PUBLICATIONS

Brochure by KOHLER, two pages, 2003.

Catalog by MOEN, p. 21, 2003.

KWC—catalog entitled “Water Pearls”, two pages, 2003.

* cited by examiner

Primary Examiner—Louis S. Zarfes

Assistant Examiner—Gregory Andoll

(74) *Attorney, Agent, or Firm*—Duane Morris LLP

(57) **CLAIM**

The ornamental design for a sanitary faucet, as shown and described.

DESCRIPTION

FIG. 1: is a side perspective view of the sanitary faucet showing my new design;

FIG. 2: is a side elevation view thereof;

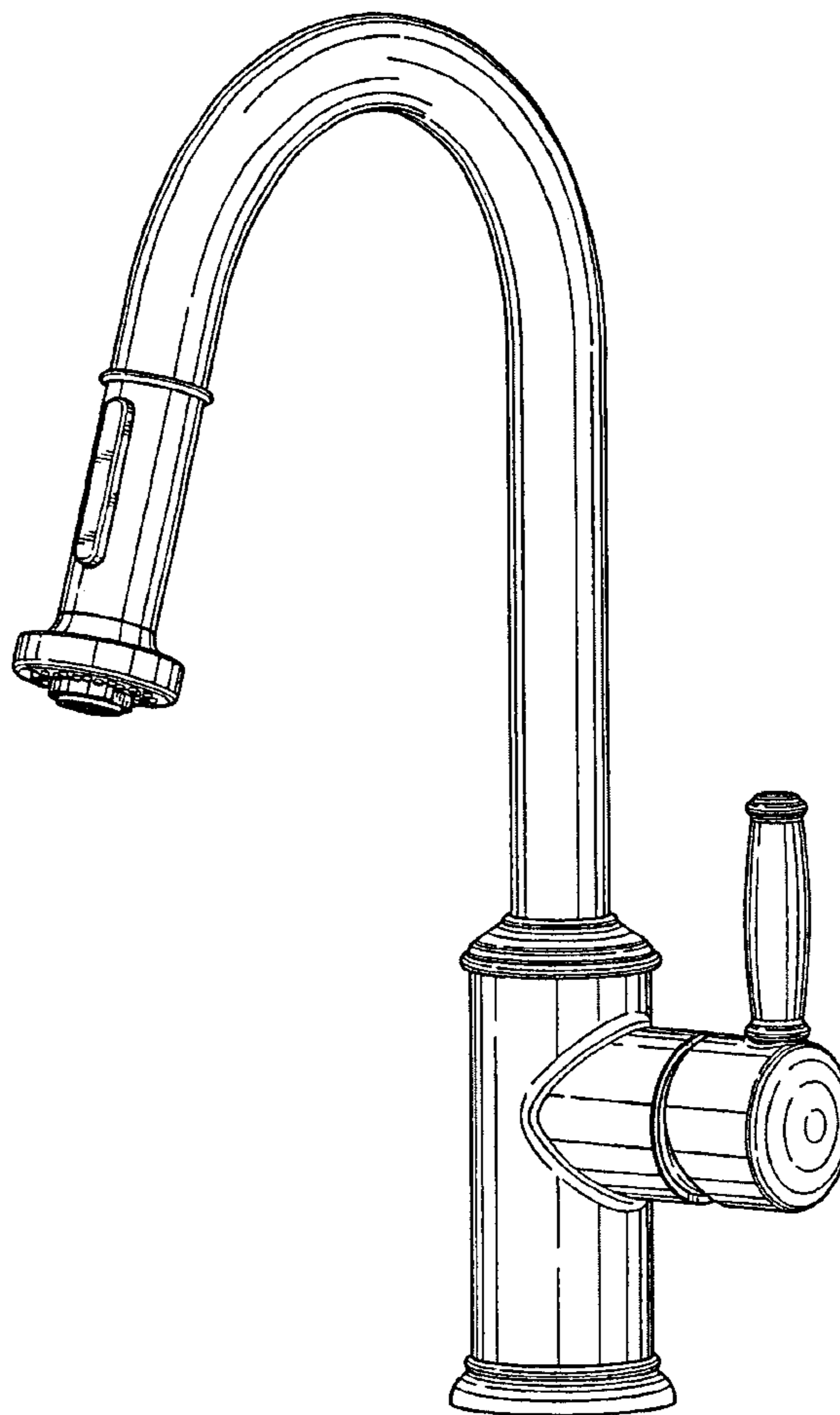
FIG. 3: is the opposite side elevation view thereof;

FIG. 4: is a front elevation view thereof;

FIG. 5: is a rear elevation view thereof; and,

FIG. 6: is a top plan view thereof.

1 Claim, 5 Drawing Sheets



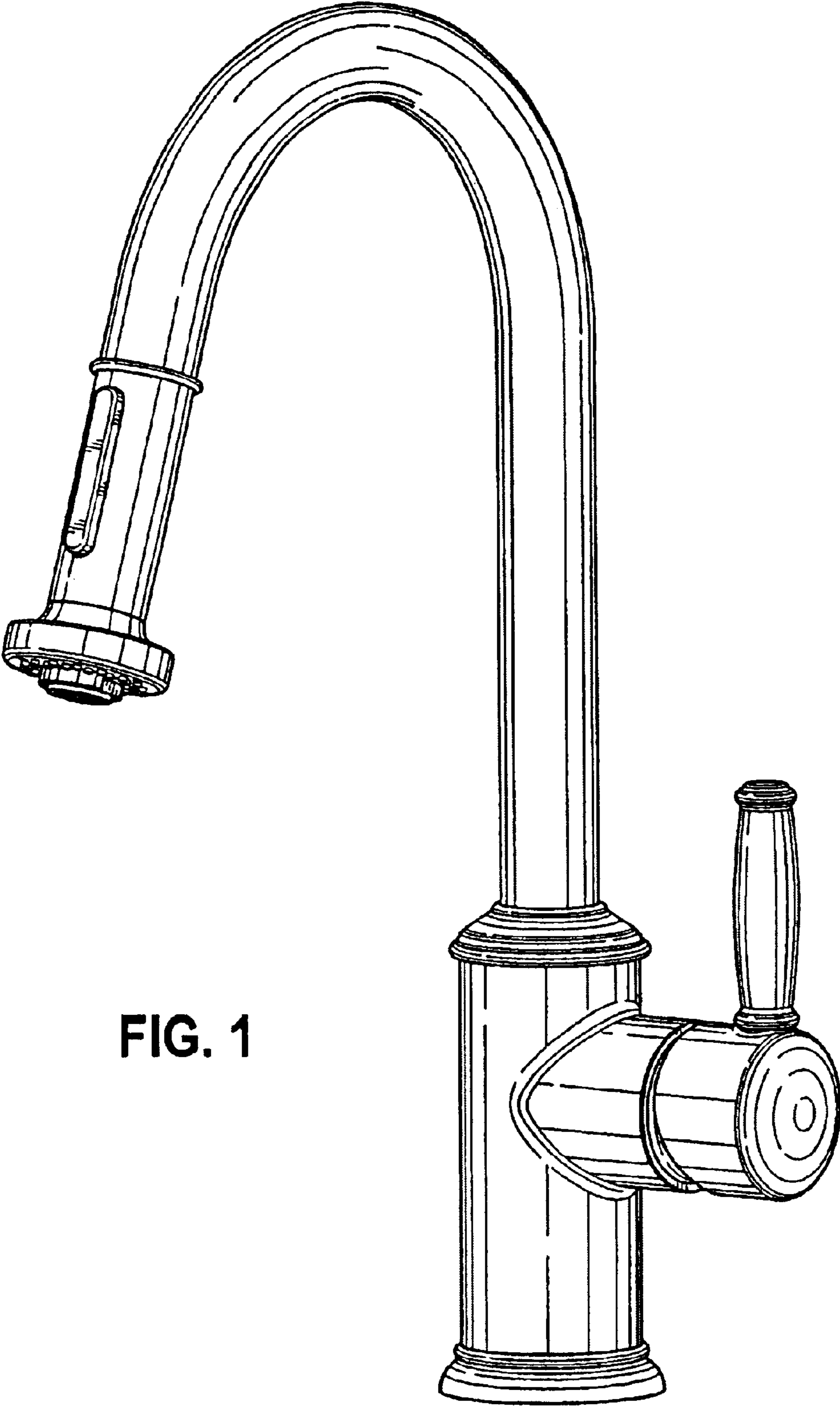


FIG. 1

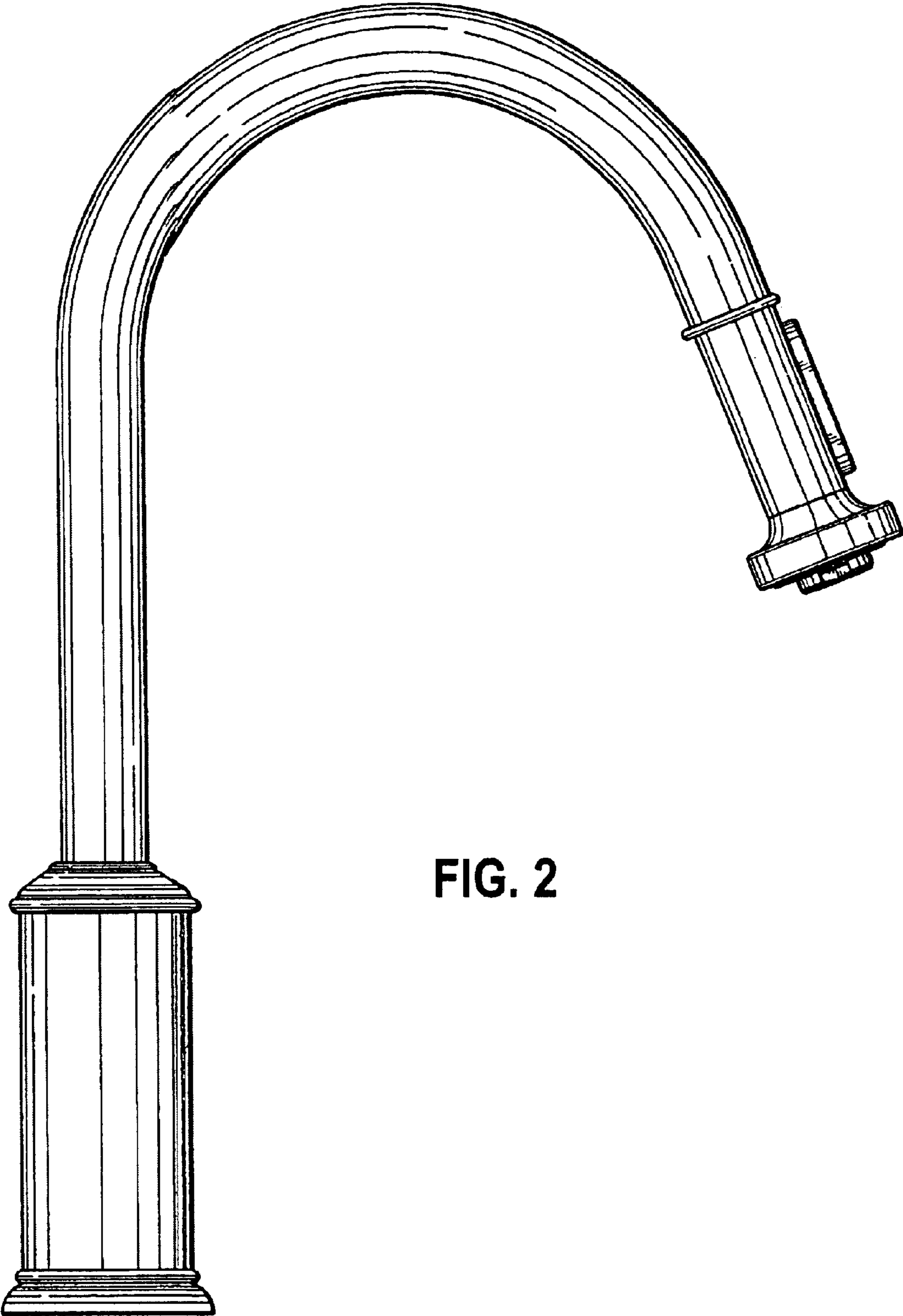


FIG. 2

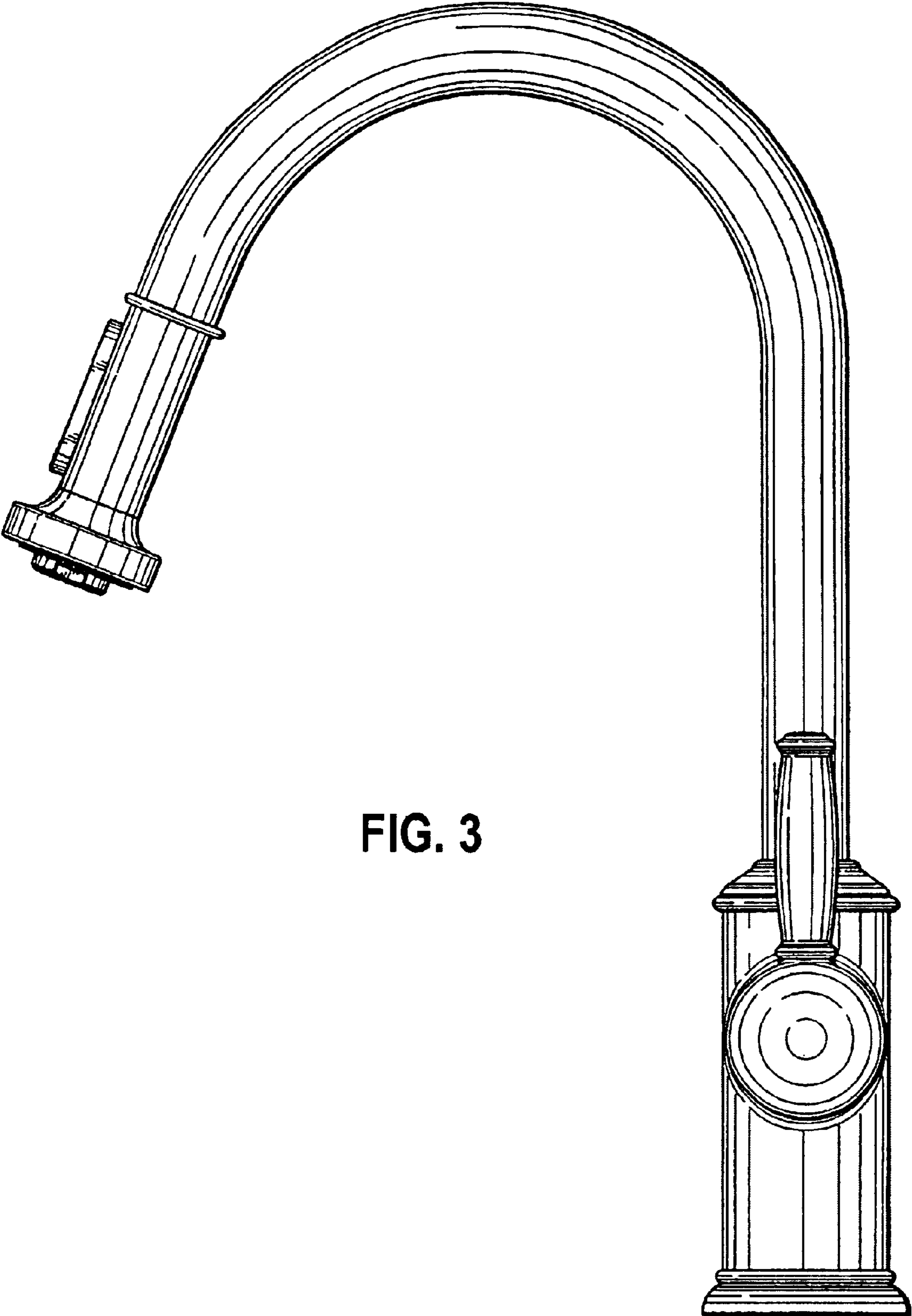
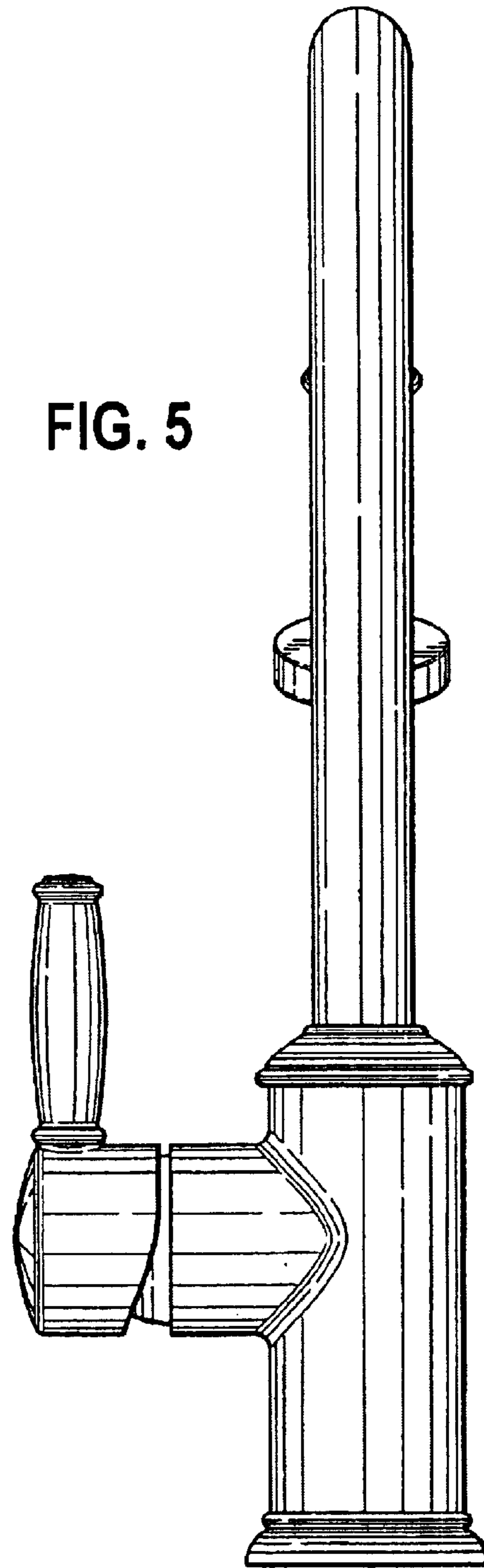
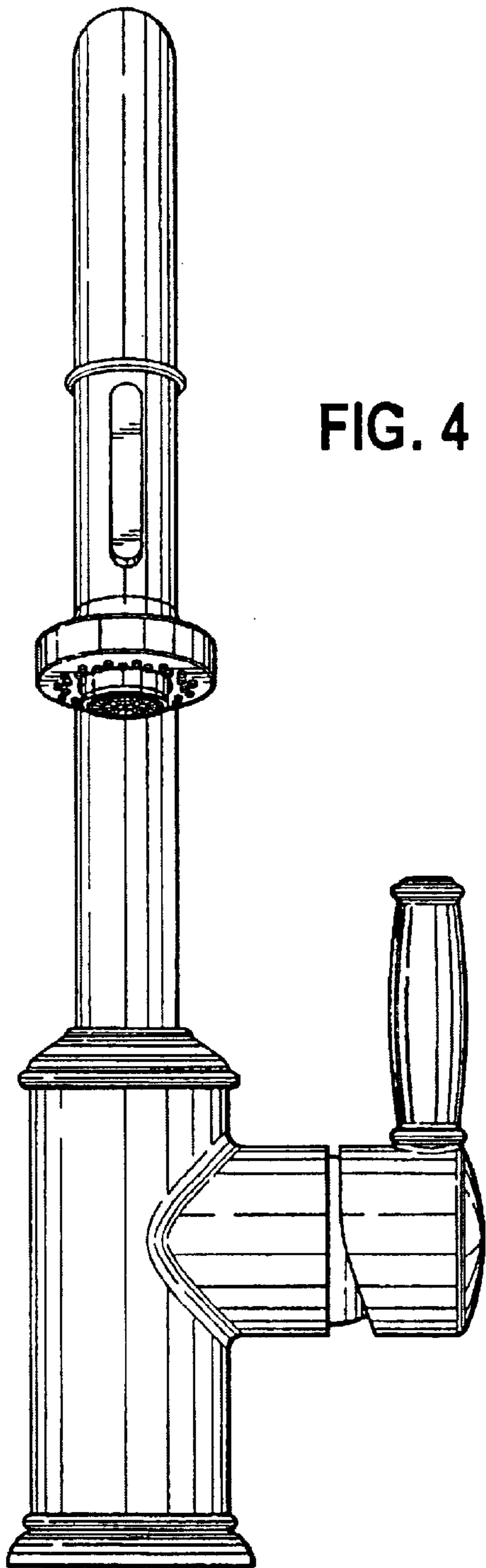


FIG. 3



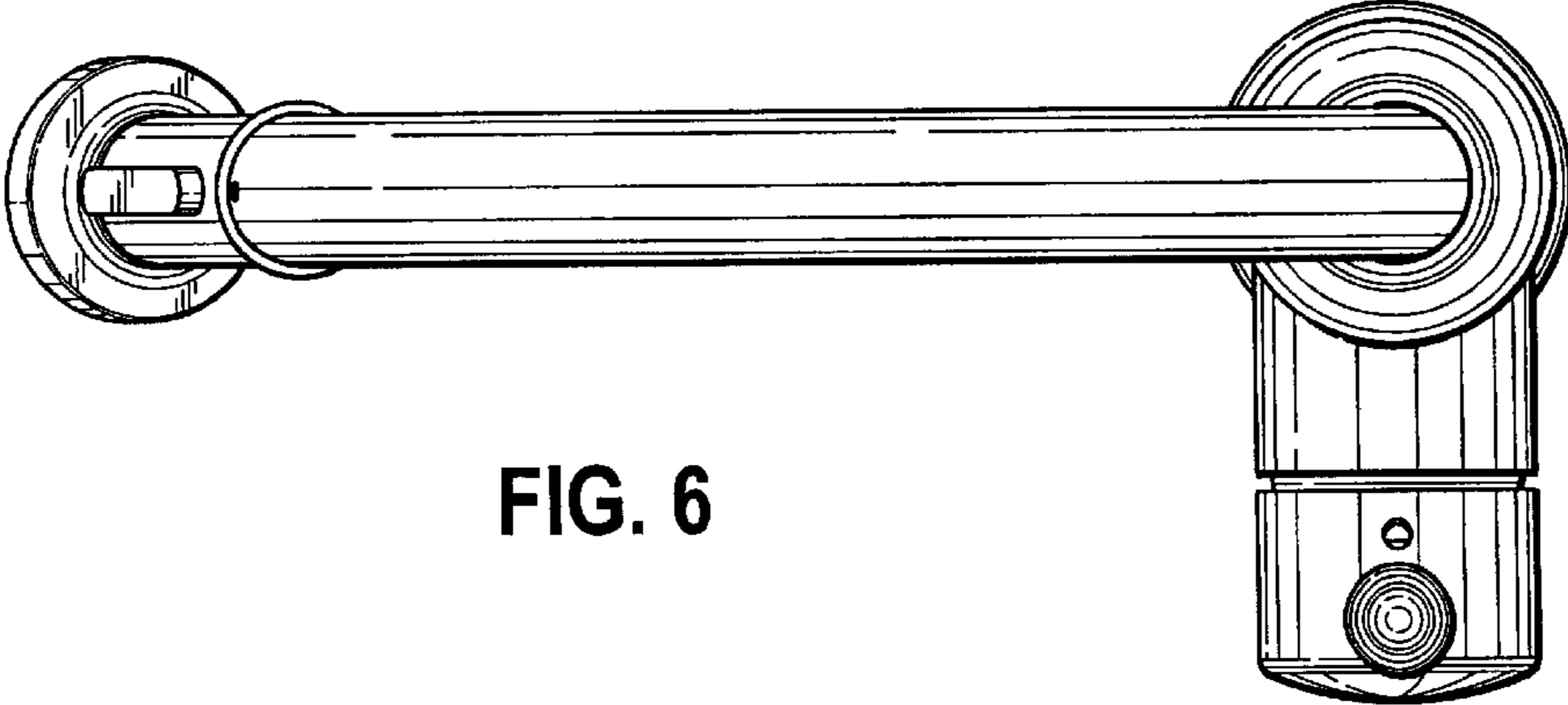


FIG. 6