

US00D513525S

(12) **United States Design Patent**
Haug et al.

(10) **Patent No.: US D513,525 S**
(45) **Date of Patent: ** Jan. 10, 2006**

(54) **HAND SHOWER**

(75) Inventors: **Andreas Haug**, Stuttgart (DE); **Tom Schonherr**, Stuttgart (DE); **Andreas Dimitriadis**, Lorch (DE); **Fabian Kollmann**, Stuttgart (DE)

(73) Assignee: **Hansgrohe AG** (DE)

(**) Term: **14 Years**

(21) Appl. No.: **29/211,010**

(22) Filed: **Aug. 10, 2004**

(30) **Foreign Application Priority Data**

Feb. 11, 2004 (EM) 000131719-0006

(51) **LOC (8) Cl.** **23-01**

(52) **U.S. Cl.** **D23/223**

(58) **Field of Classification Search** D23/213,
D23/223, 229, 230; 239/282, 283
See application file for complete search history.

(56) **References Cited**

U.S. PATENT DOCUMENTS

D313,267 S * 12/1990 Lenci et al. D23/213
D326,311 S * 5/1992 Lenci et al. D23/223

D452,897 S * 1/2002 Gillette et al. D23/223
D471,953 S * 3/2003 Colligan et al. D23/213
D485,887 S * 1/2004 Luetngen et al. D23/223
D492,004 S * 6/2004 Haug et al. D23/213
D497,974 S * 11/2004 Haug et al. D23/223
D498,514 S * 11/2004 Haug et al. D23/223

* cited by examiner

Primary Examiner—Robin V. Taylor

(74) *Attorney, Agent, or Firm*—Kwadjo Adusei-Poku;
Lloyd D. Doigan

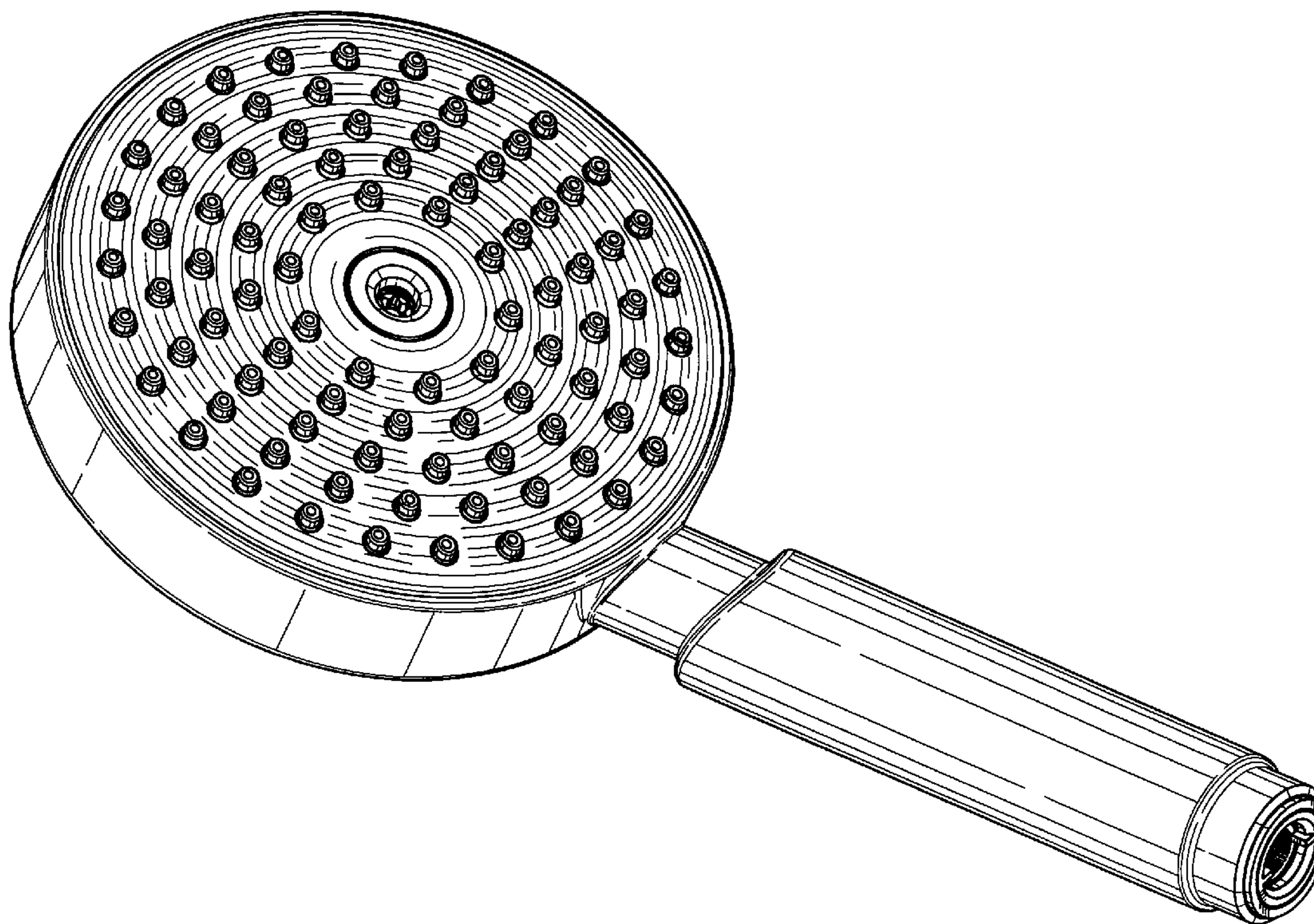
(57) **CLAIM**

The ornamental design for a hand shower, as shown and described.

DESCRIPTION

FIG. 1 is a front perspective view of a hand shower showing our new design;
FIG. 2 is a bottom plan view thereof;
FIG. 3 is a right side elevational view thereof, the left side being a mirror image thereof;
FIG. 4 is a top plan view thereof;
FIG. 5 is a front elevational view thereof; and,
FIG. 6 is a rear elevational view thereof.

1 Claim, 5 Drawing Sheets



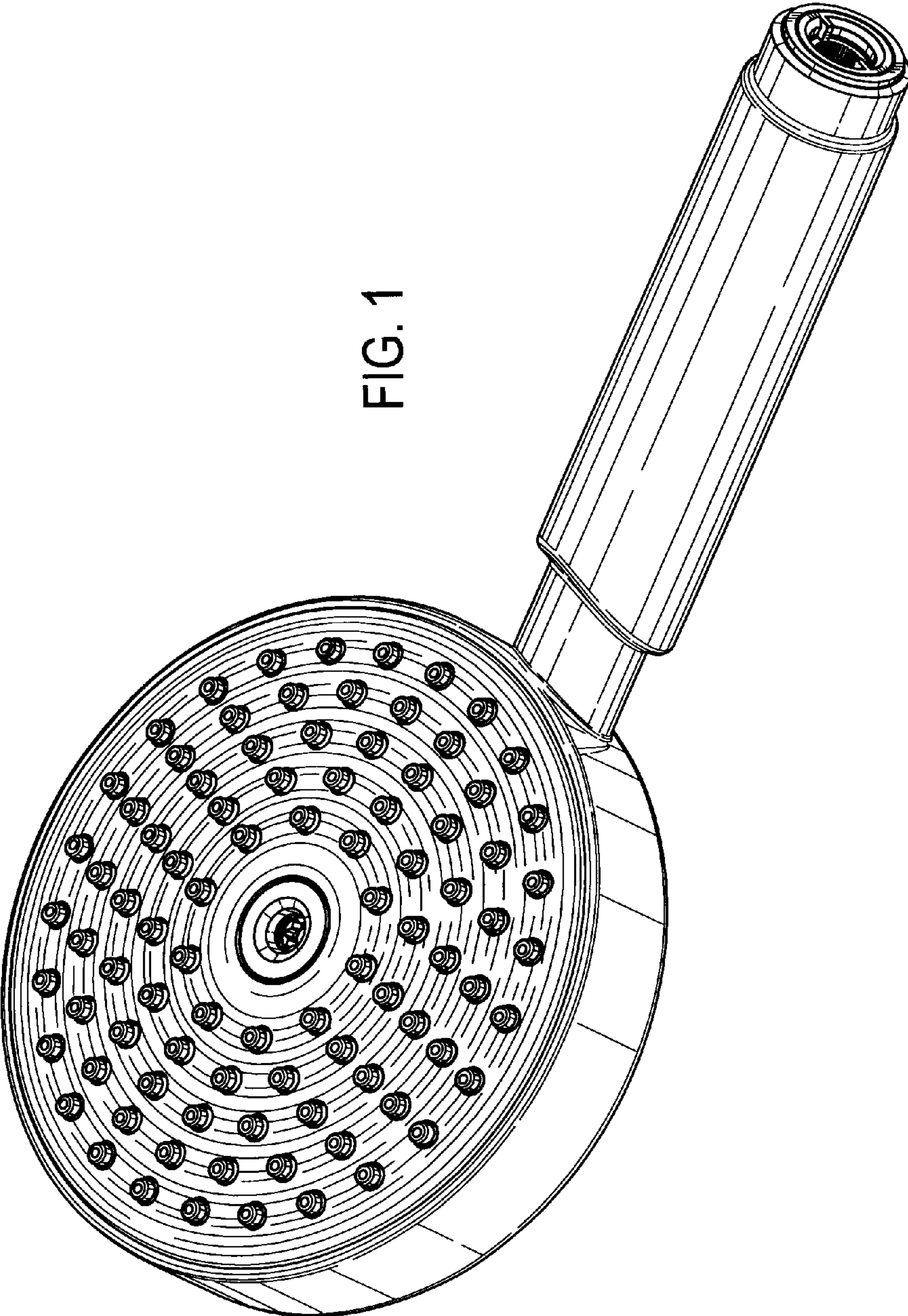


FIG. 1

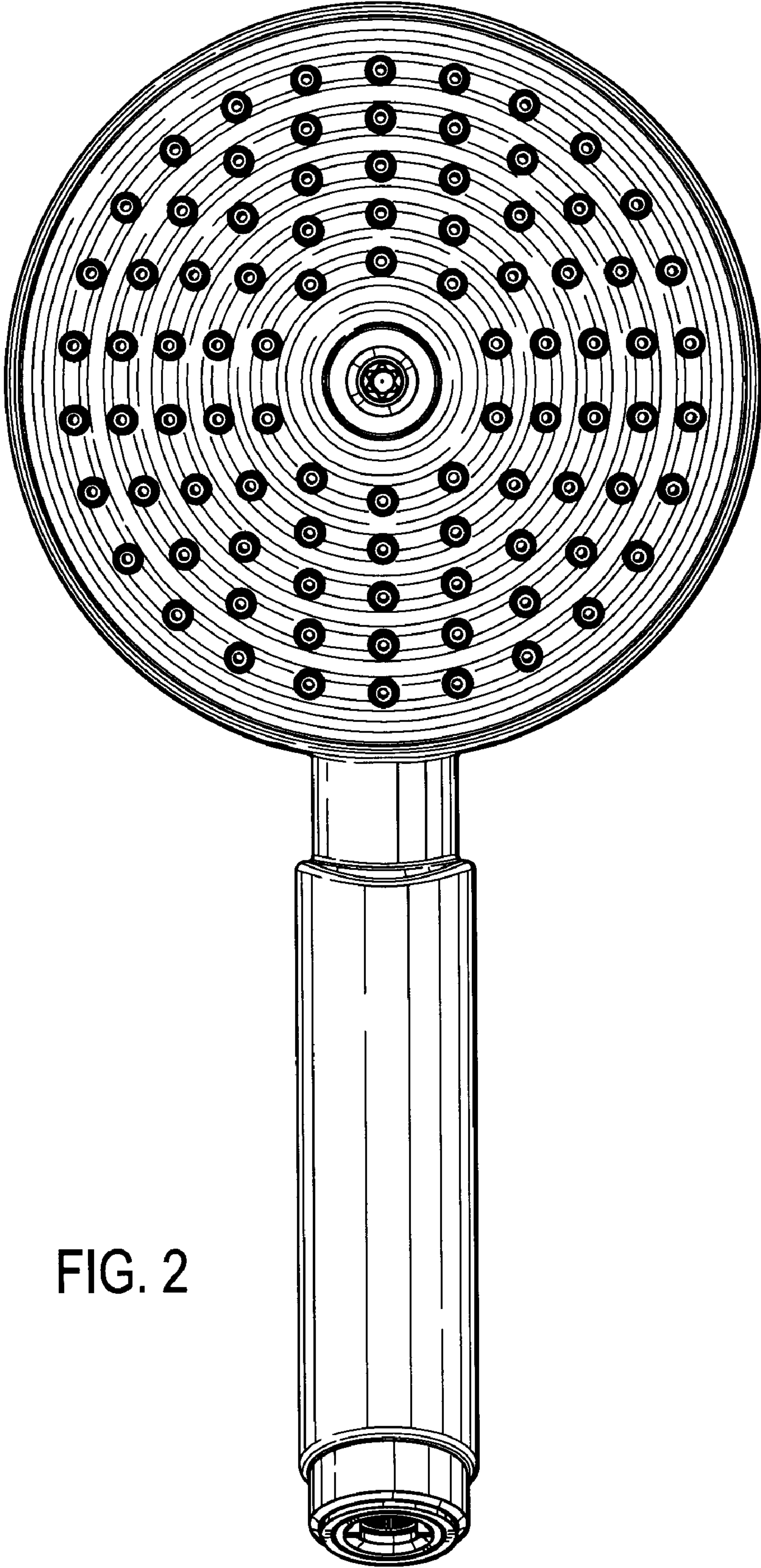


FIG. 2

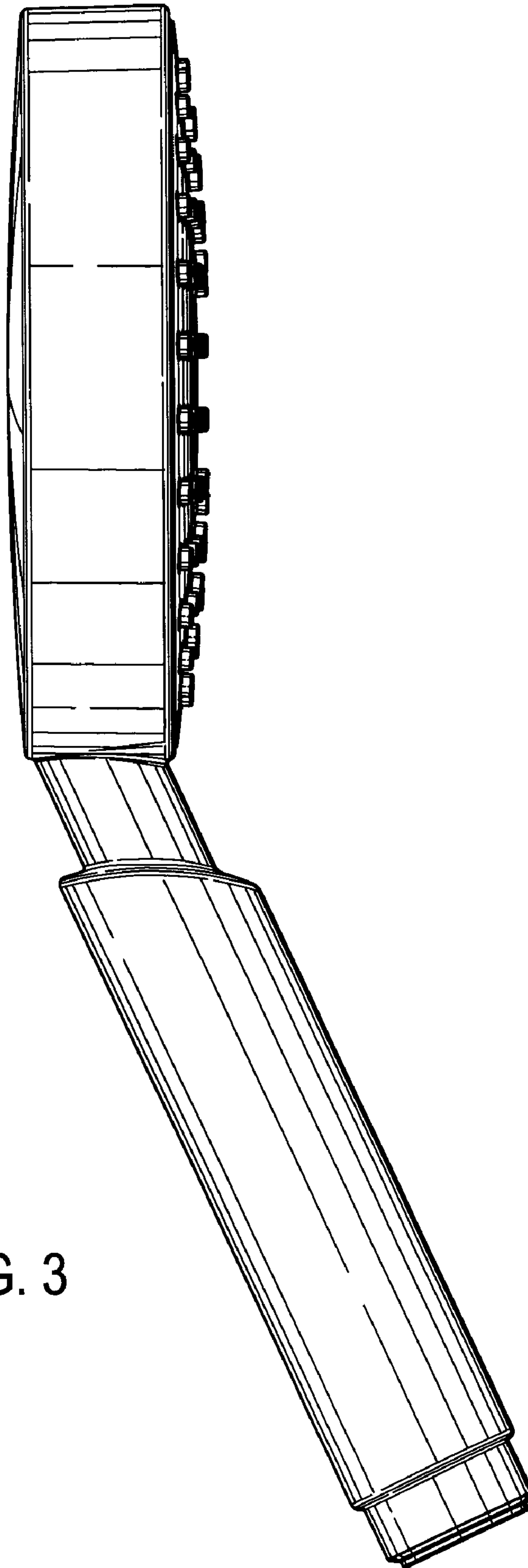


FIG. 3

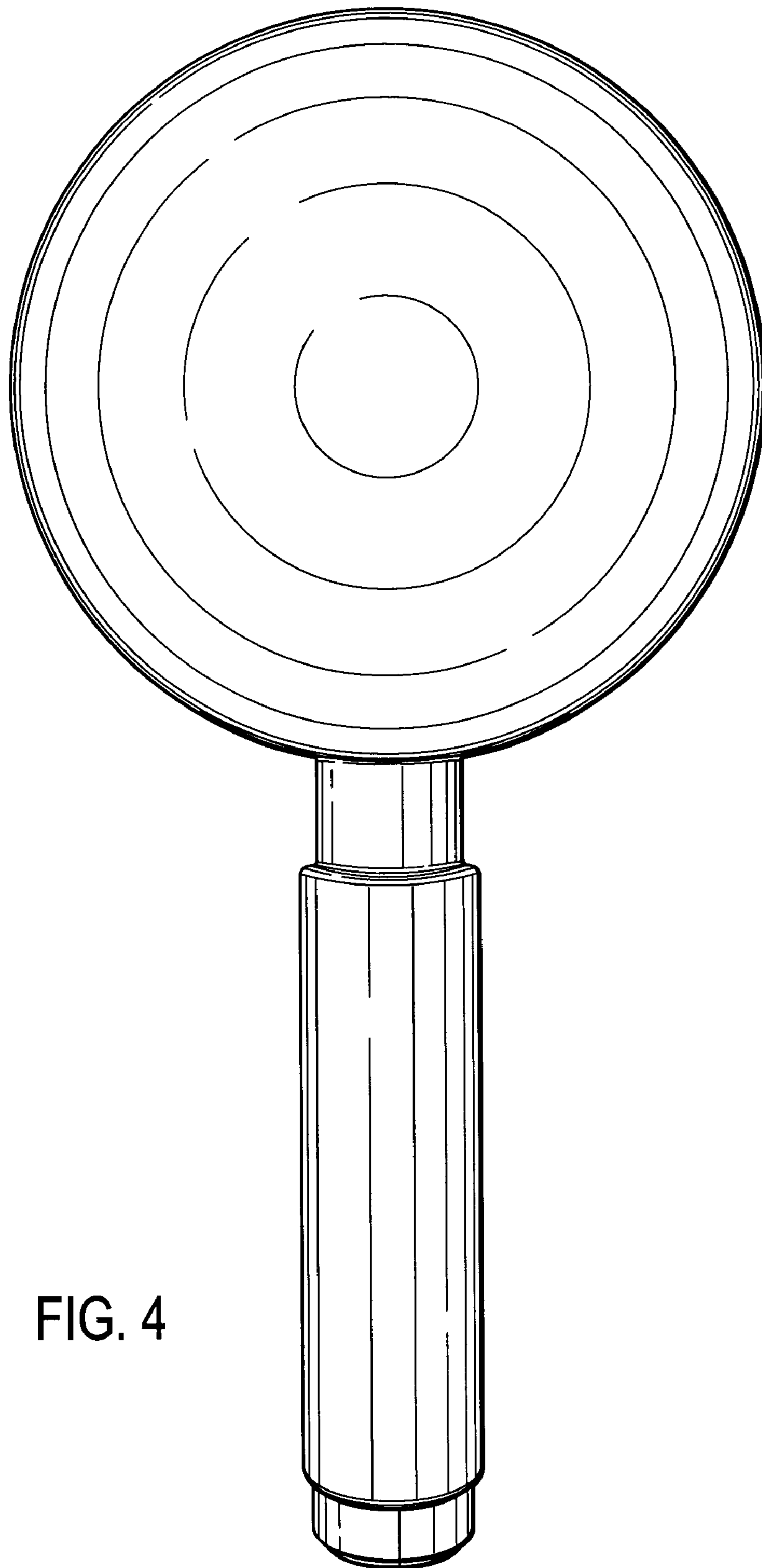


FIG. 4

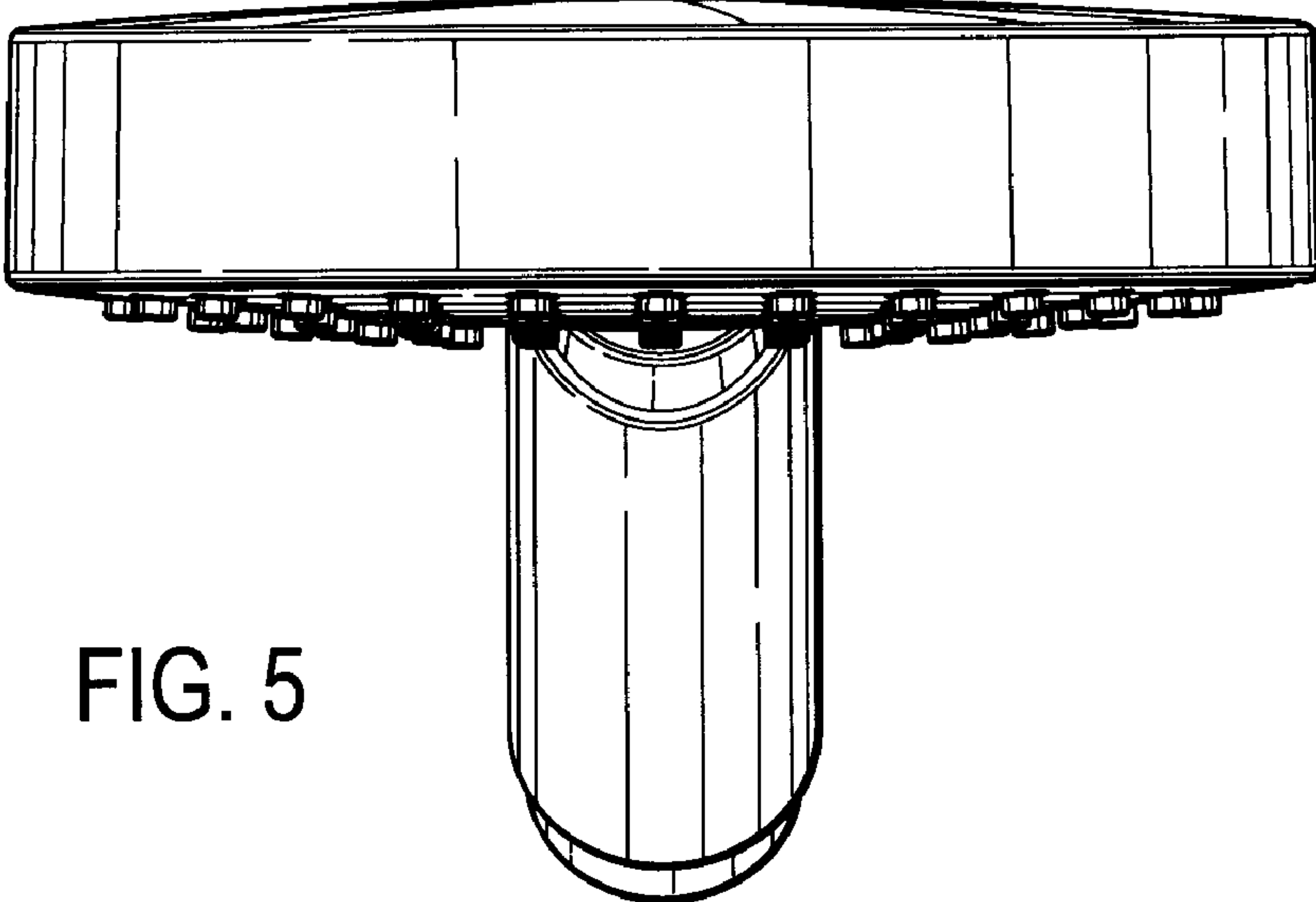


FIG. 5

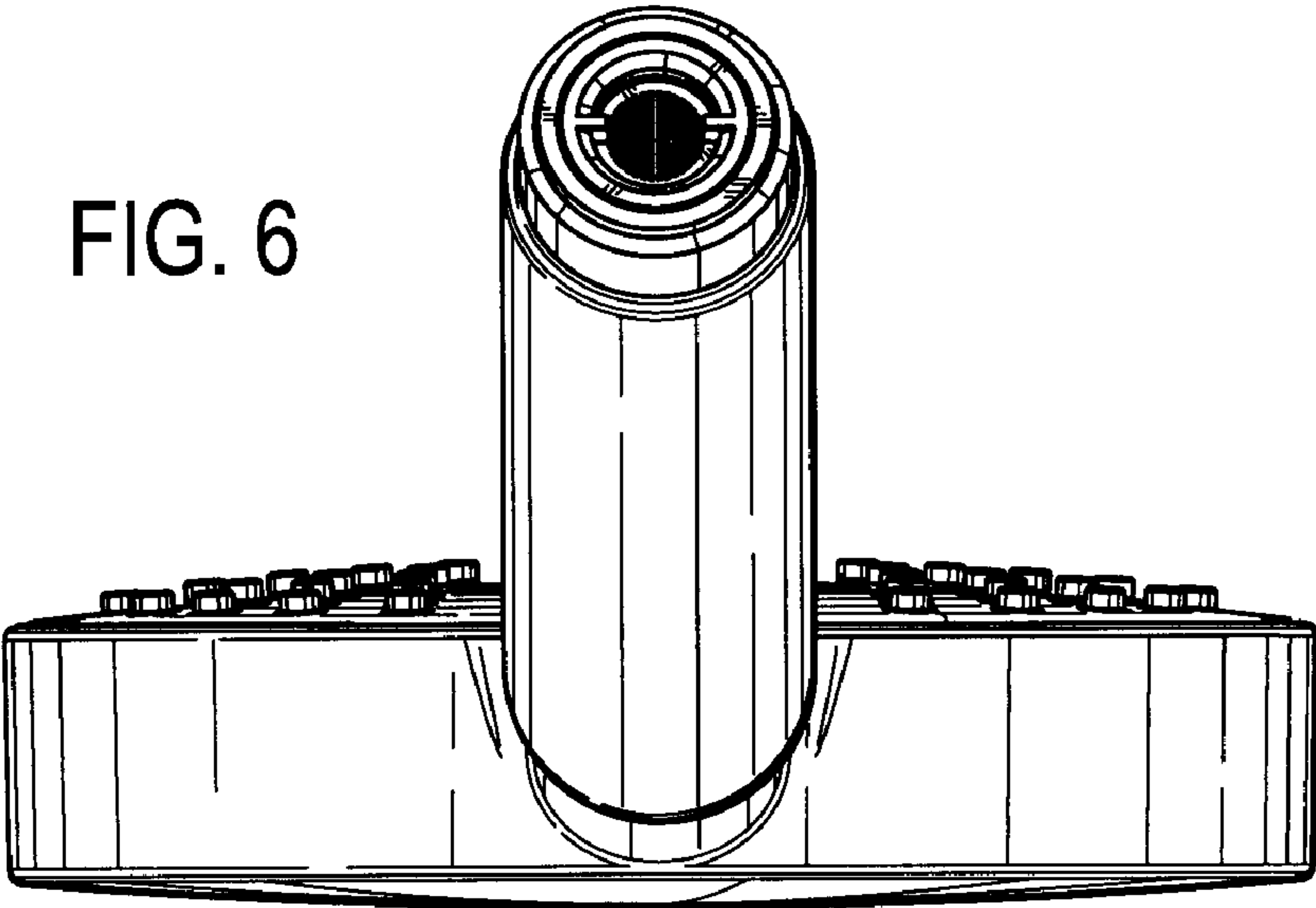


FIG. 6