



US00D513523S

(12) **United States Design Patent**
Crouch

(10) **Patent No.:** **US D513,523 S**
(45) **Date of Patent:** **** Jan. 10, 2006**

(54) **COMBINED GAMING MACHINE AND TOP BOX DISPLAY**

(75) Inventor: **Philip Clive Crouch**, Newington (AU)

(73) Assignee: **Ainsworth Game Technology Limited**,
New South Wales (AU)

(**) Term: **14 Years**

(21) Appl. No.: **29/212,544**

(22) Filed: **Sep. 2, 2004**

Related U.S. Application Data

(62) Division of application No. 29/182,957, filed on Jun. 4, 2003, now Pat. No. Des. 498,267.

(51) **LOC (8) Cl.** **21-03**

(52) **U.S. Cl.** **D21/370**

(58) **Field of Classification Search** D21/325,
D21/329, 369-371, 374, 385; 273/138.1;
463/16-17, 20, 46-47

See application file for complete search history.

(56) **References Cited**

U.S. PATENT DOCUMENTS

D275,117 S * 8/1984 Heywood D21/370
D278,069 S * 3/1985 Wichinsky et al. D21/370
D301,494 S * 6/1989 Gutknecht D21/385

D378,604 S * 3/1997 Brettschneider D21/370
D380,014 S * 6/1997 Yang D21/370
D381,700 S * 7/1997 Brettschneider D21/370
5,813,914 A * 9/1998 McKay et al. 463/46
D419,201 S * 1/2000 de Haas D21/370
D450,096 S * 11/2001 Legras et al. D21/385
D458,311 S * 6/2002 Seelig et al. D21/370
D463,504 S * 9/2002 Stephan D21/325
D467,284 S * 12/2002 Yamanaka D21/370

* cited by examiner

Primary Examiner—Sandra L. Morris

(74) *Attorney, Agent, or Firm*—Tucker Ellis & West LLP

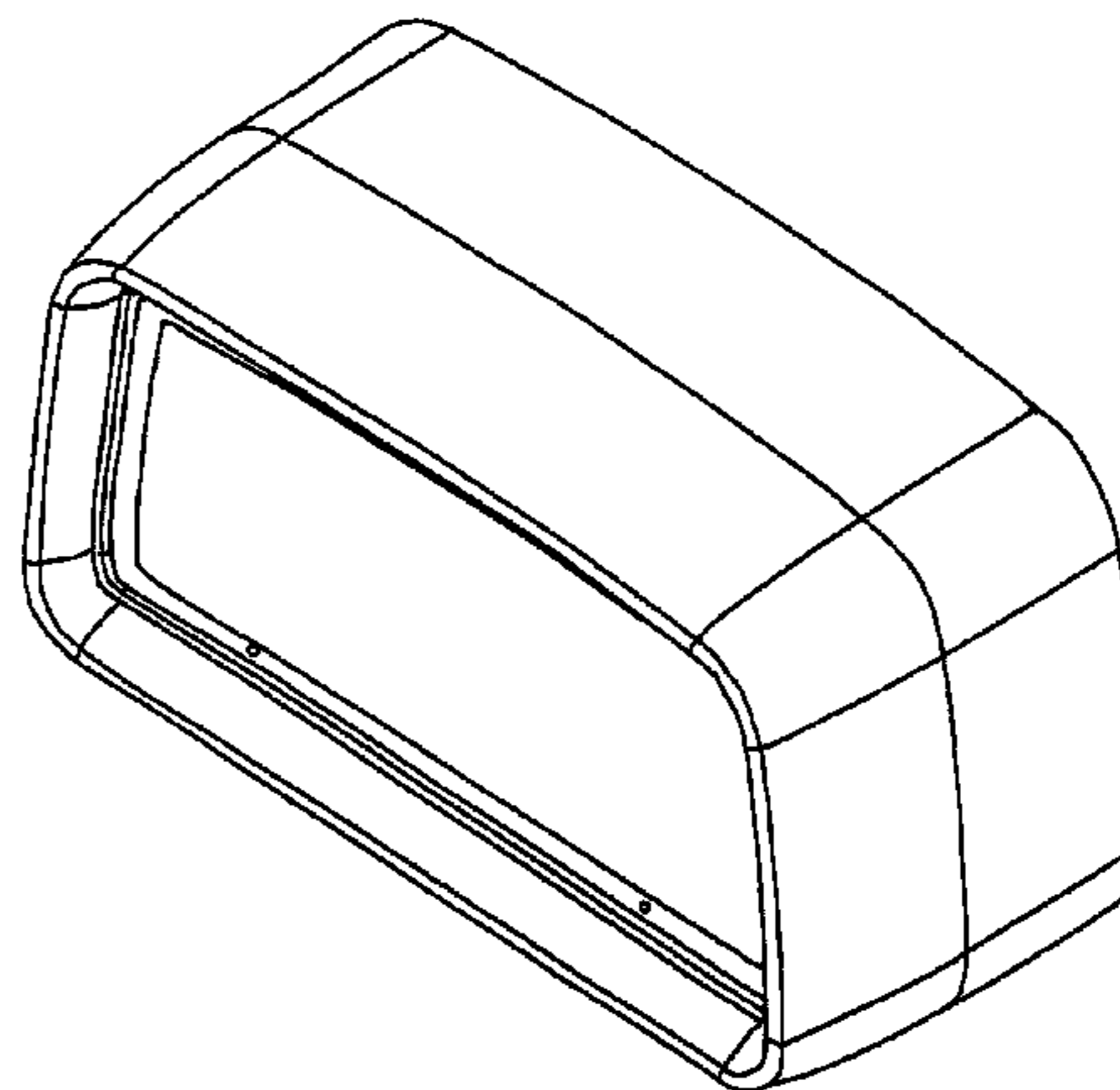
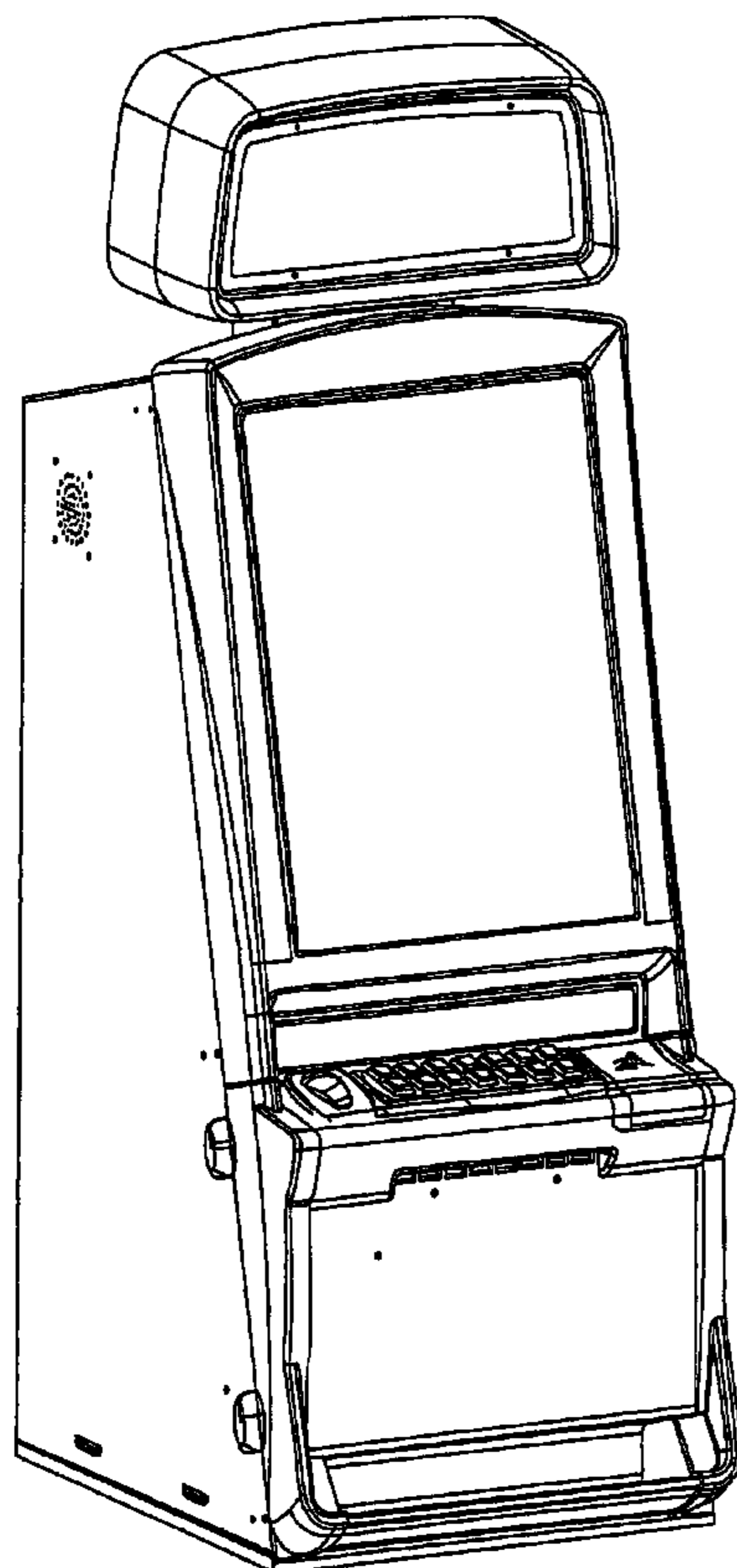
(57) **CLAIM**

The ornamental design for a combined gaming machine and top box display, as shown and described.

DESCRIPTION

FIG. 1 is a front perspective view of the combined gaming machine and top box display;
FIG. 2 is a perspective view of the top box display, shown separately for ease of illustration;
FIG. 3 is a right elevational view thereof;
FIG. 4 is a left elevational view thereof top box display;
FIG. 5 is a top plan view thereof;
FIG. 6 is a front elevational view thereof; and,
FIG. 7 is a bottom view thereof.

1 Claim, 3 Drawing Sheets



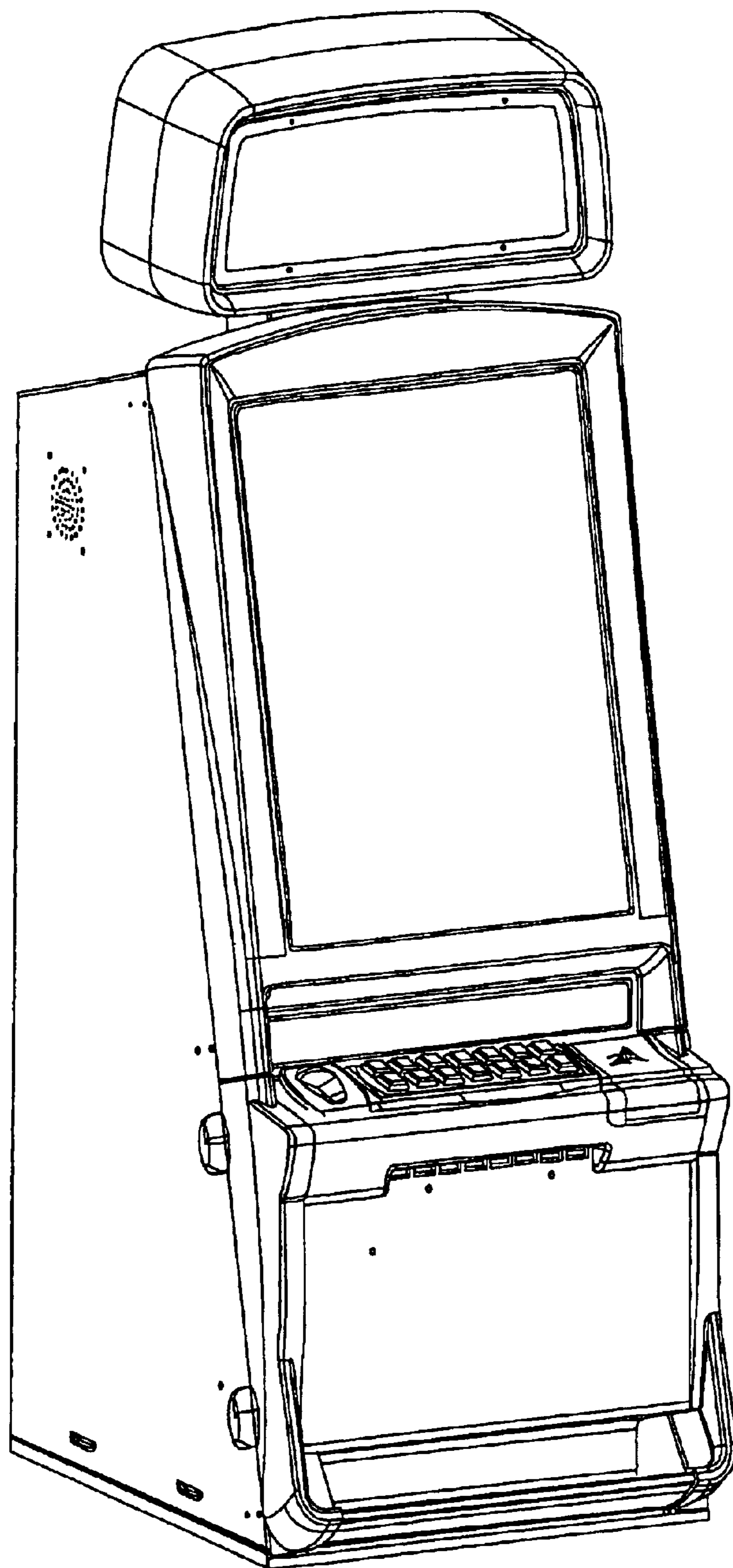


Fig. 1

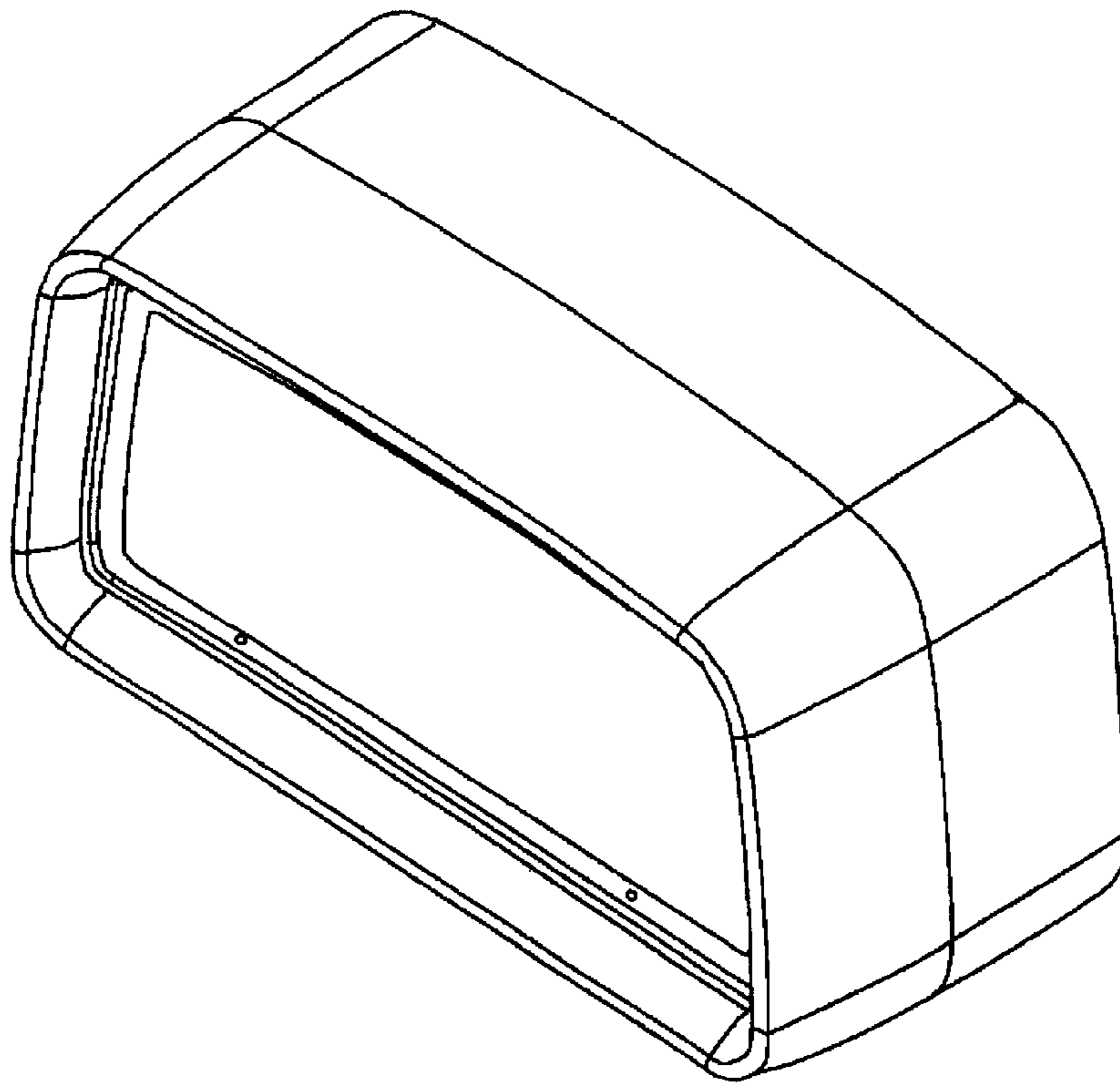


Fig. 2

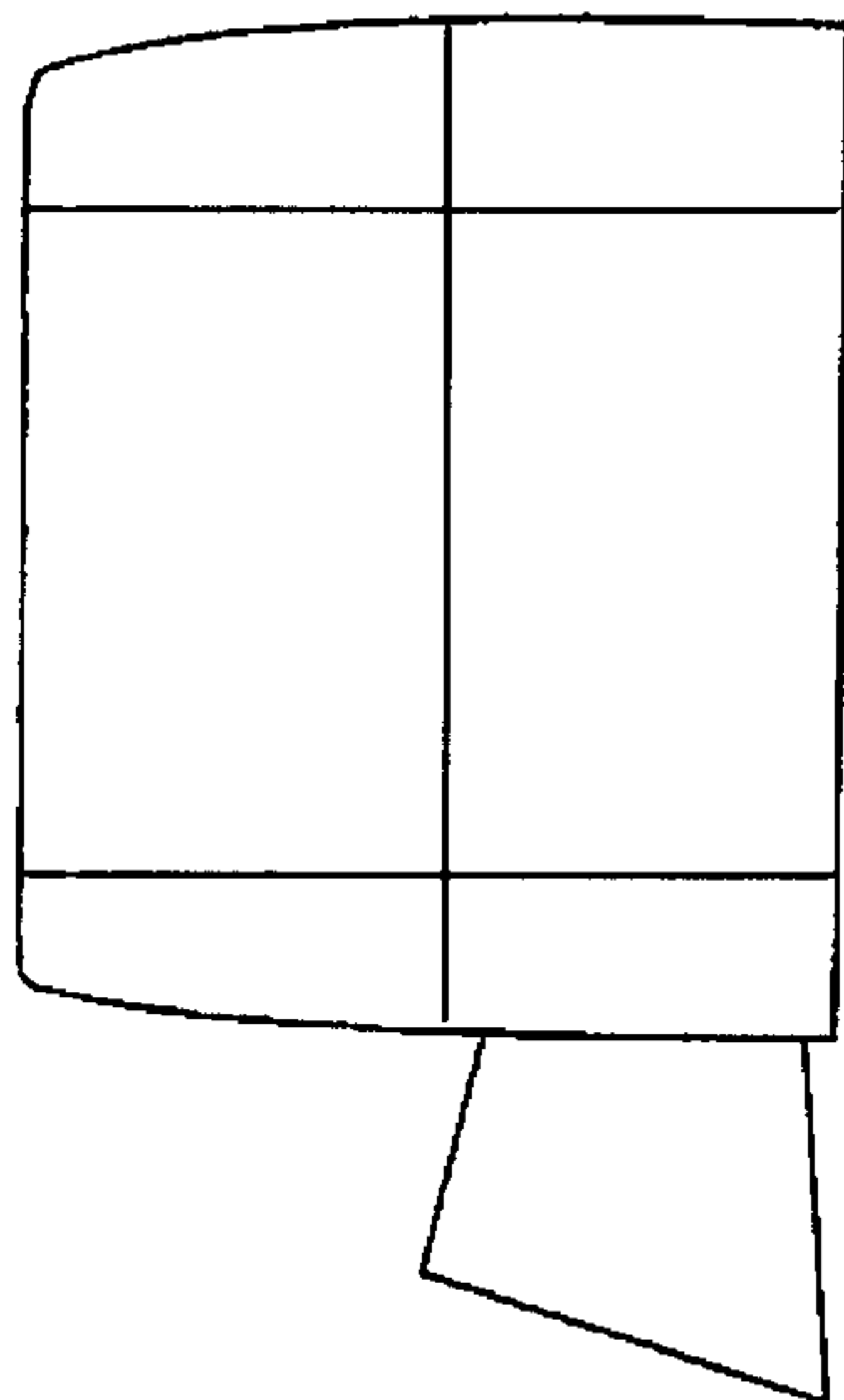


Fig. 3

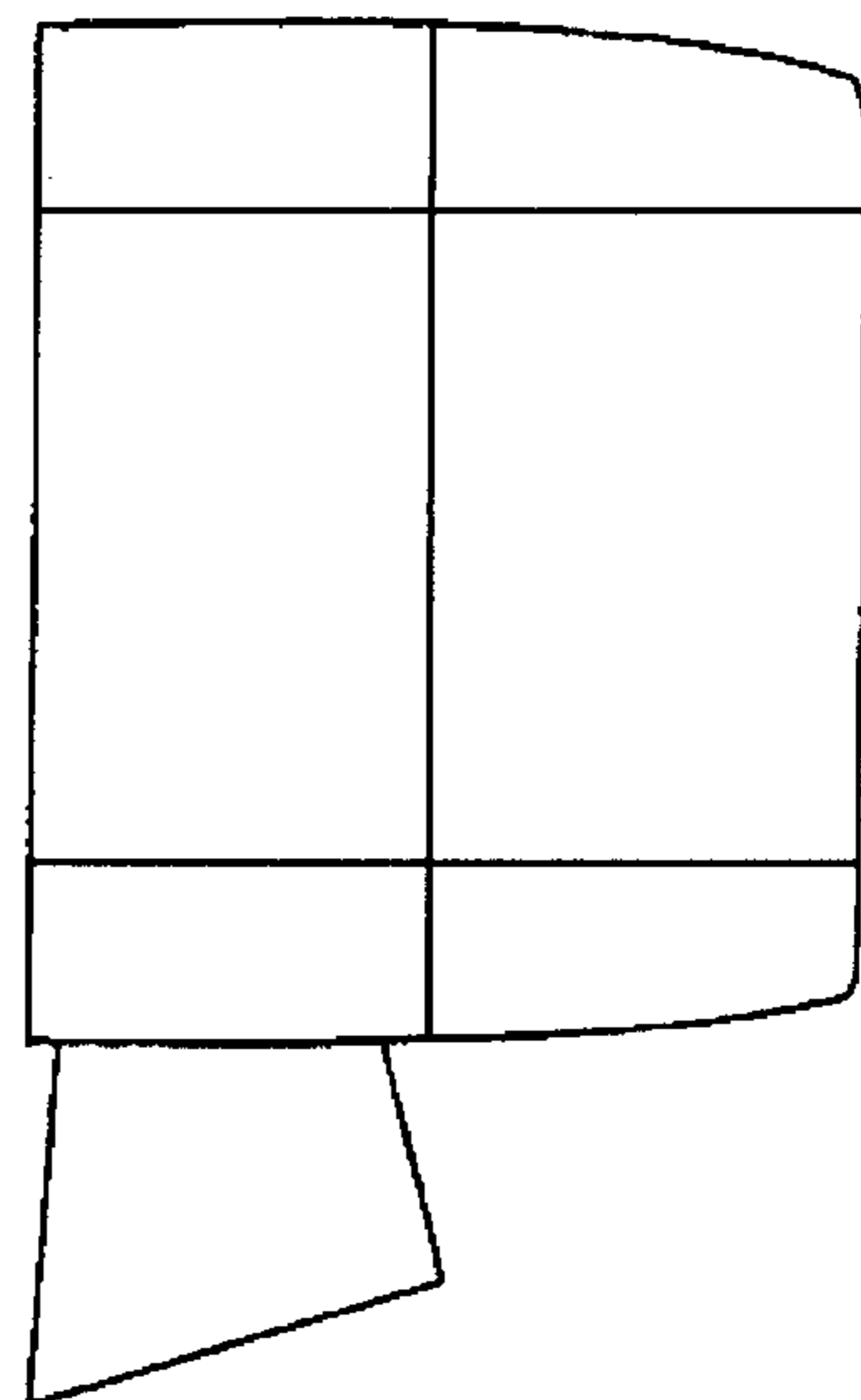


Fig. 4

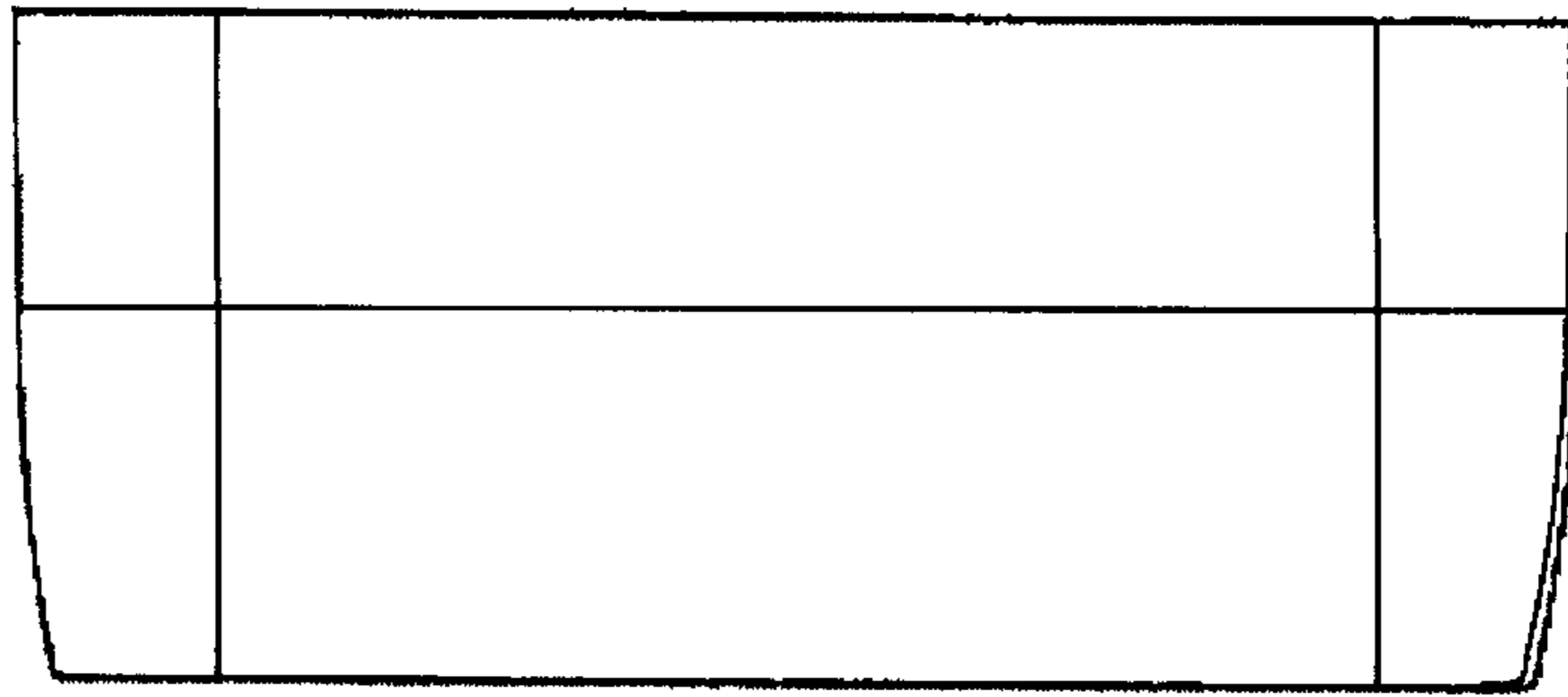


Fig. 5

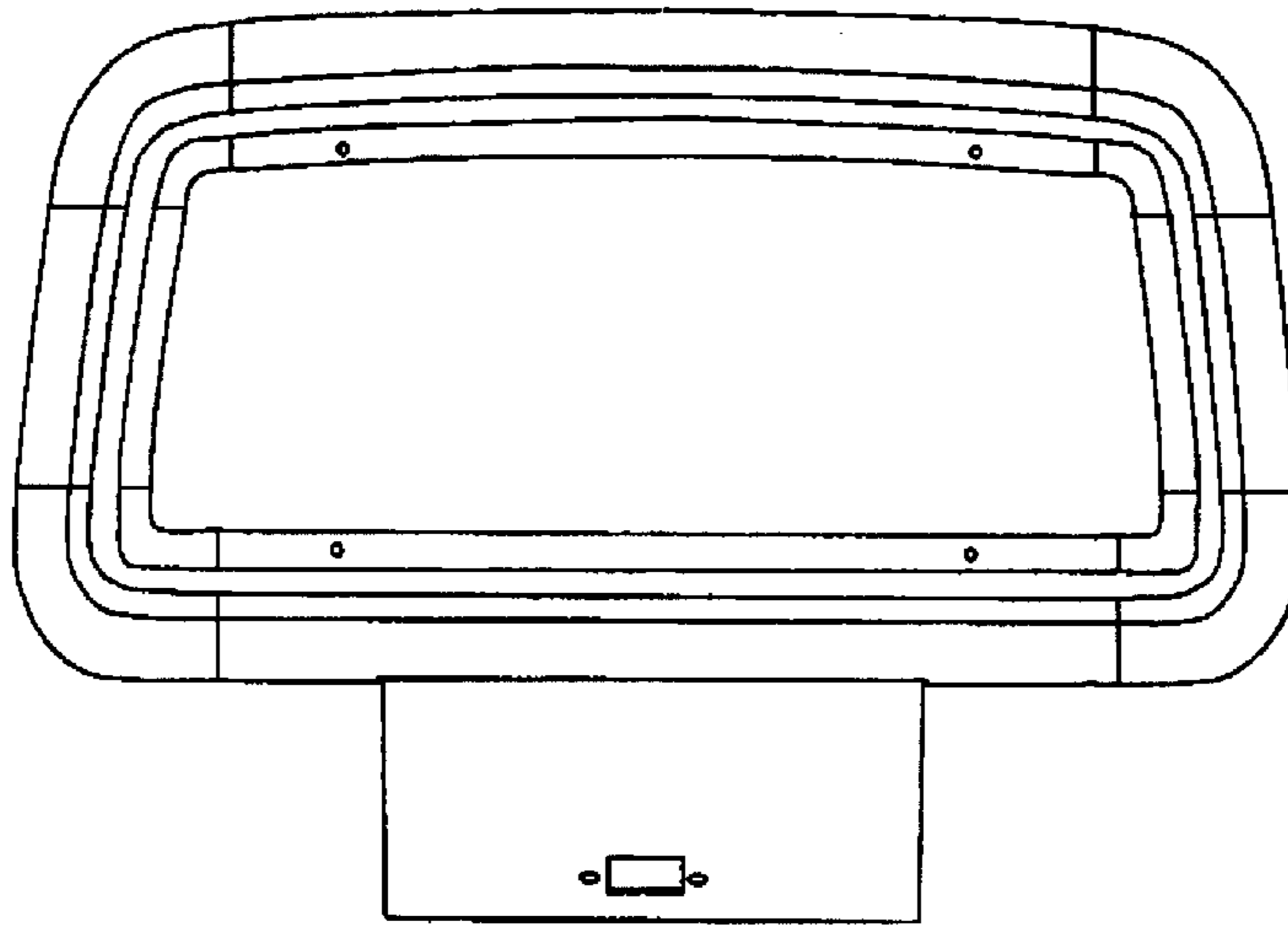


Fig. 6

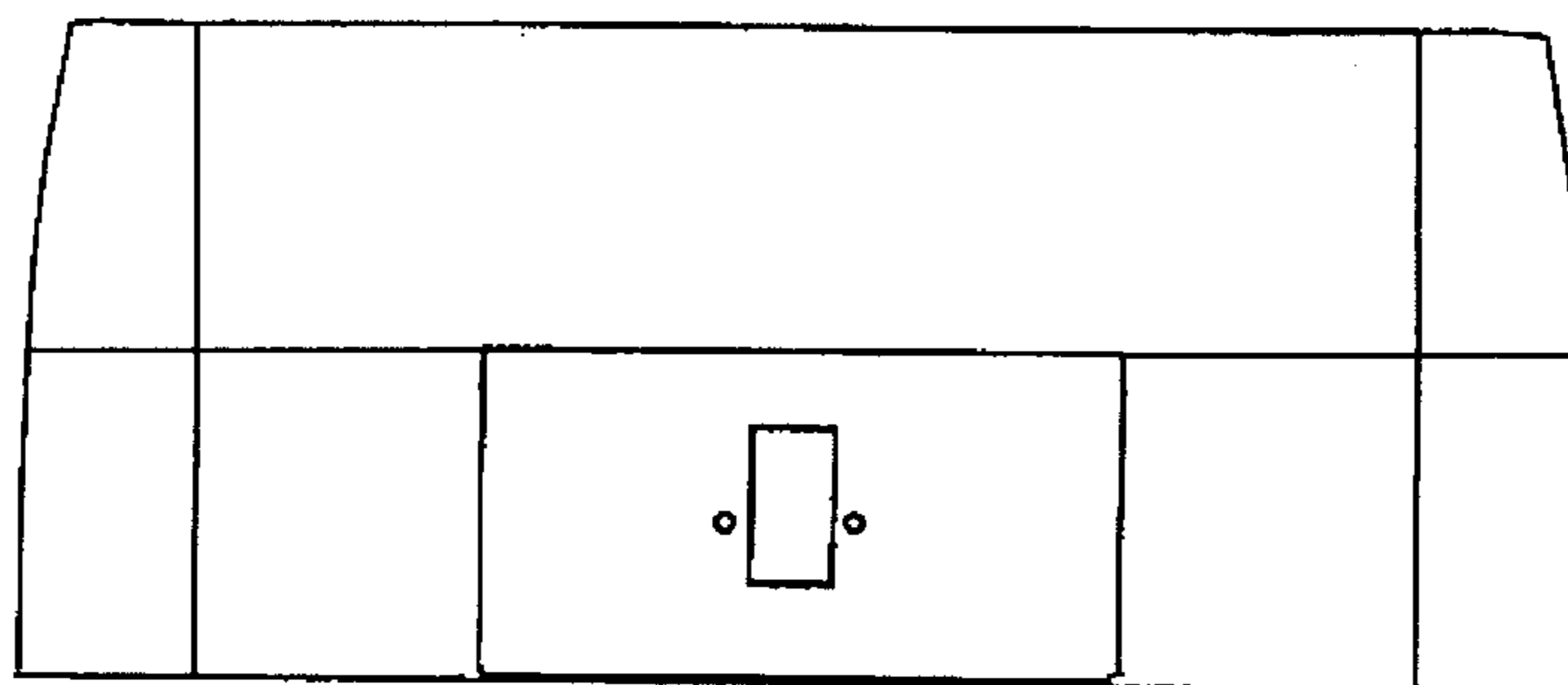


Fig. 7