



US00D513521S

(12) **United States Design Patent**
Hsu

(10) **Patent No.: US D513,521 S**
(45) **Date of Patent: ** Jan. 10, 2006**

(54) **CLIP CONTAINER**

6,786,358 B1 * 9/2004 Suzuki 221/212

(76) Inventor: **Nick Hsu**, 8F-1, No. 424, Chungming Rd., Taichung (TW)

* cited by examiner

(**) Term: **14 Years**

Primary Examiner—Martie K. Holtje
(74) *Attorney, Agent, or Firm*—Jackson Walker, LLP

(21) Appl. No.: **29/219,119**

(57) **CLAIM**

(22) Filed: **Dec. 13, 2004**

The ornamental design for a clip container, as shown and described.

(51) **LOC (8) Cl. 19-02**

DESCRIPTION

(52) **U.S. Cl. D19/75; D19/95**

(58) **Field of Search D19/65, 75, 70, D19/76, 77, 86, 95, 99, 100; 206/214, 224, 371, 818, 338-340, 39-39.7; 221/71, 72, 154, 208, 212, 312 C, 192; D6/515, 518**

FIG. 1 is a perspective view of the clip container showing my new design;

FIG. 2 is a front view thereof;

FIG. 3 is a rear view thereof;

FIG. 4 is a left side view thereof;

FIG. 5 is a right side view thereof;

FIG. 6 is a top view thereof;

FIG. 7 is a bottom view thereof; and,

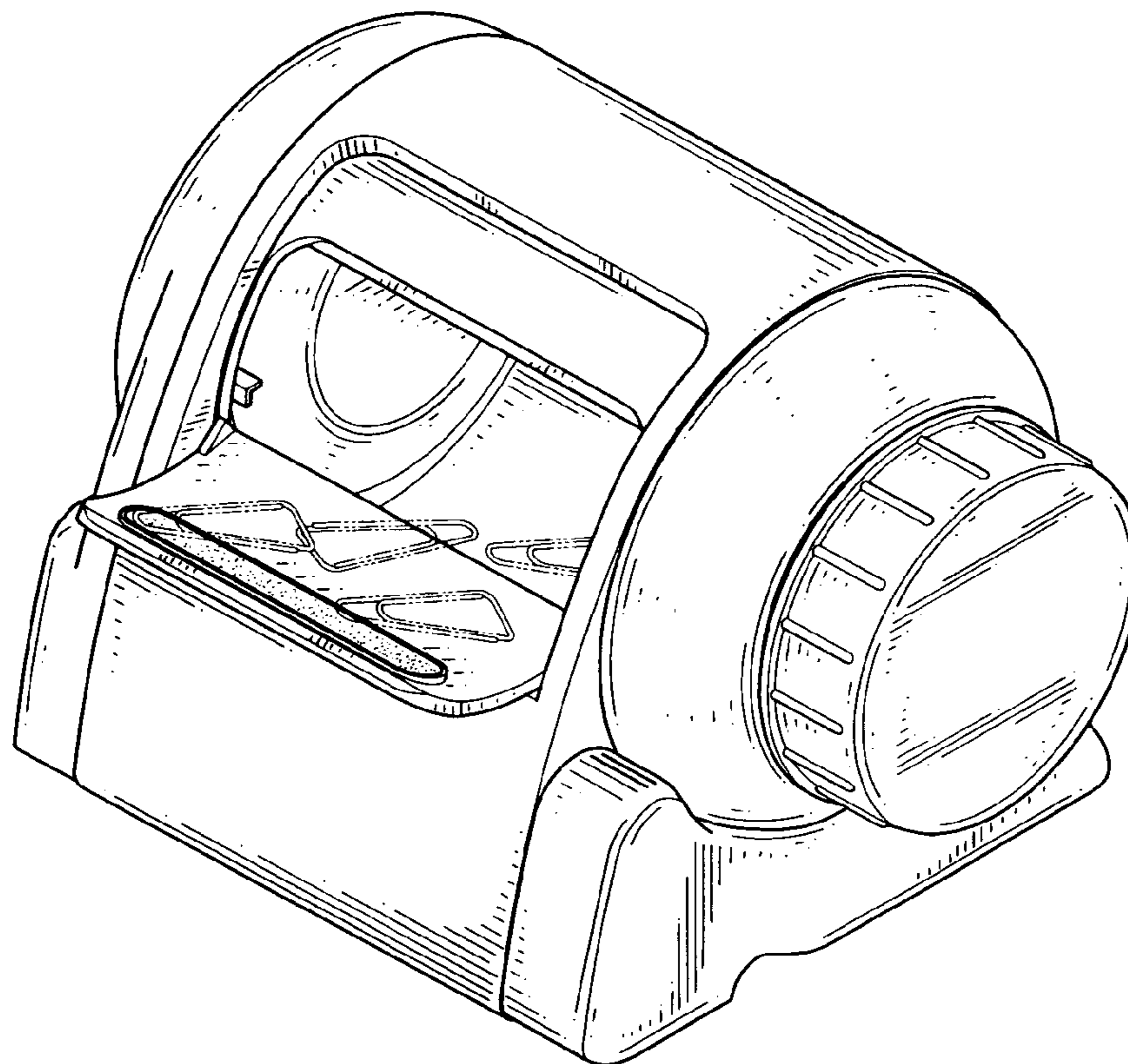
FIG. 8 is an operational perspective view of the clip container that contains multiple paper clips inside, wherein some paper clips are magnetically attracted by a cover of the clip container; wherein, the broken lines are shown for illustrative purposes only and form no part of the claimed design.

(56) **References Cited**

U.S. PATENT DOCUMENTS

1,613,622 A	*	1/1927	O'Malley	221/192
2,234,868 A	*	3/1941	Laudien	221/186
2,950,841 A	*	8/1960	Cornwell	221/154
4,047,637 A	*	9/1977	Grunstad et al.	206/818
4,796,780 A	*	1/1989	Huang	206/340
5,096,091 A	*	3/1992	Heu	221/212
D327,914 S	*	7/1992	Tsay	D19/75
D432,170 S	*	10/2000	Chan	D19/75

1 Claim, 5 Drawing Sheets



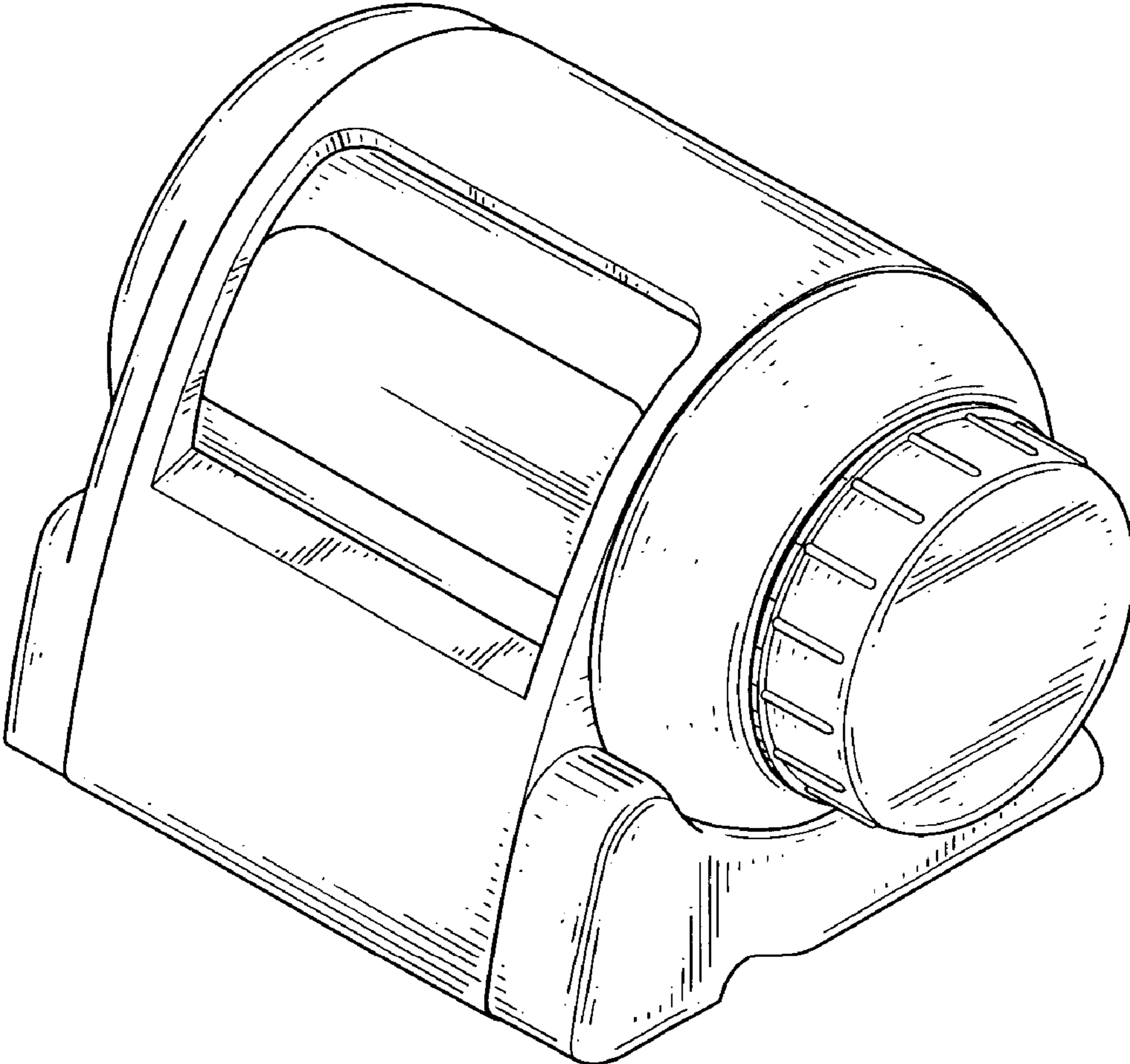


FIG.1

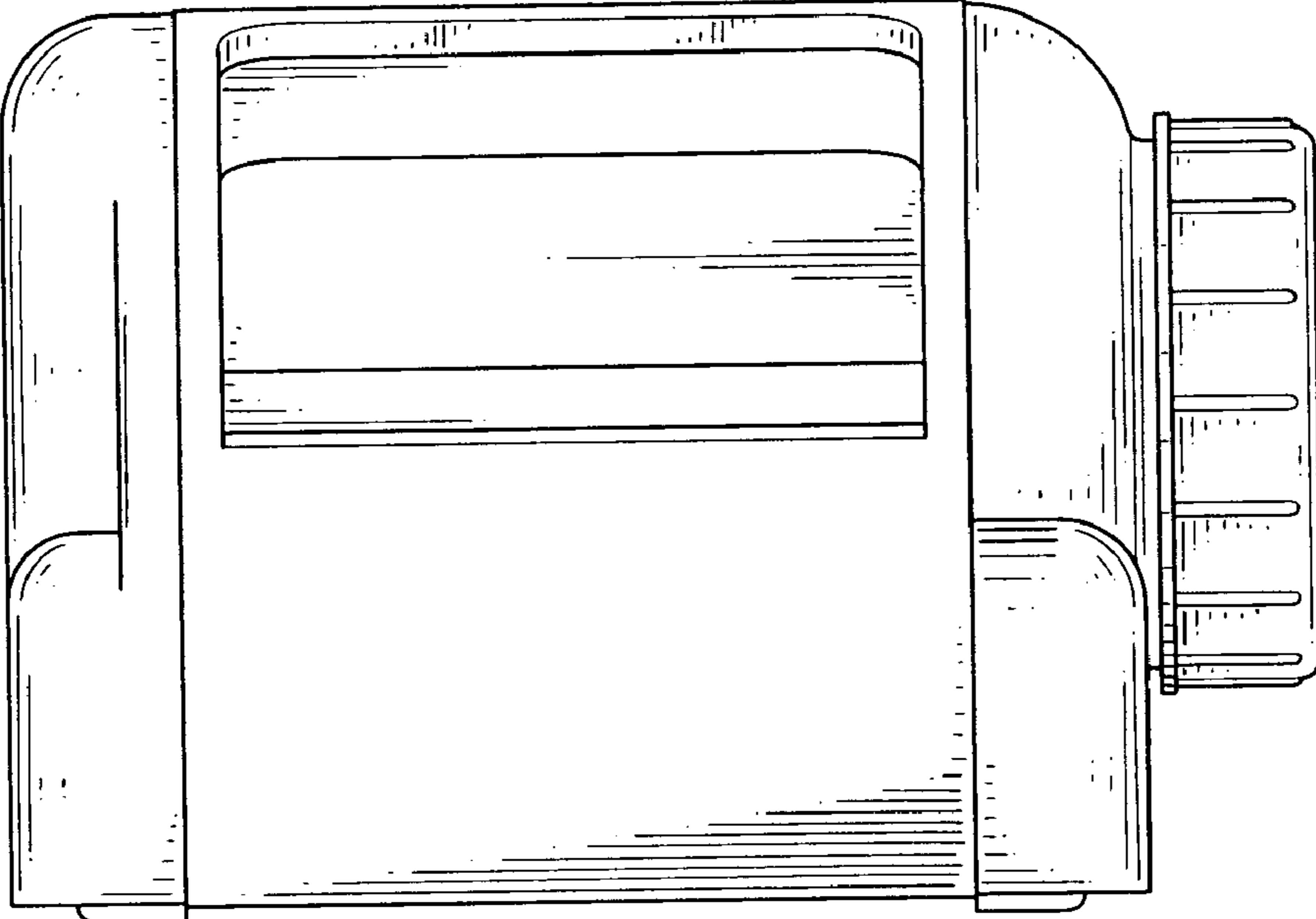


FIG. 2

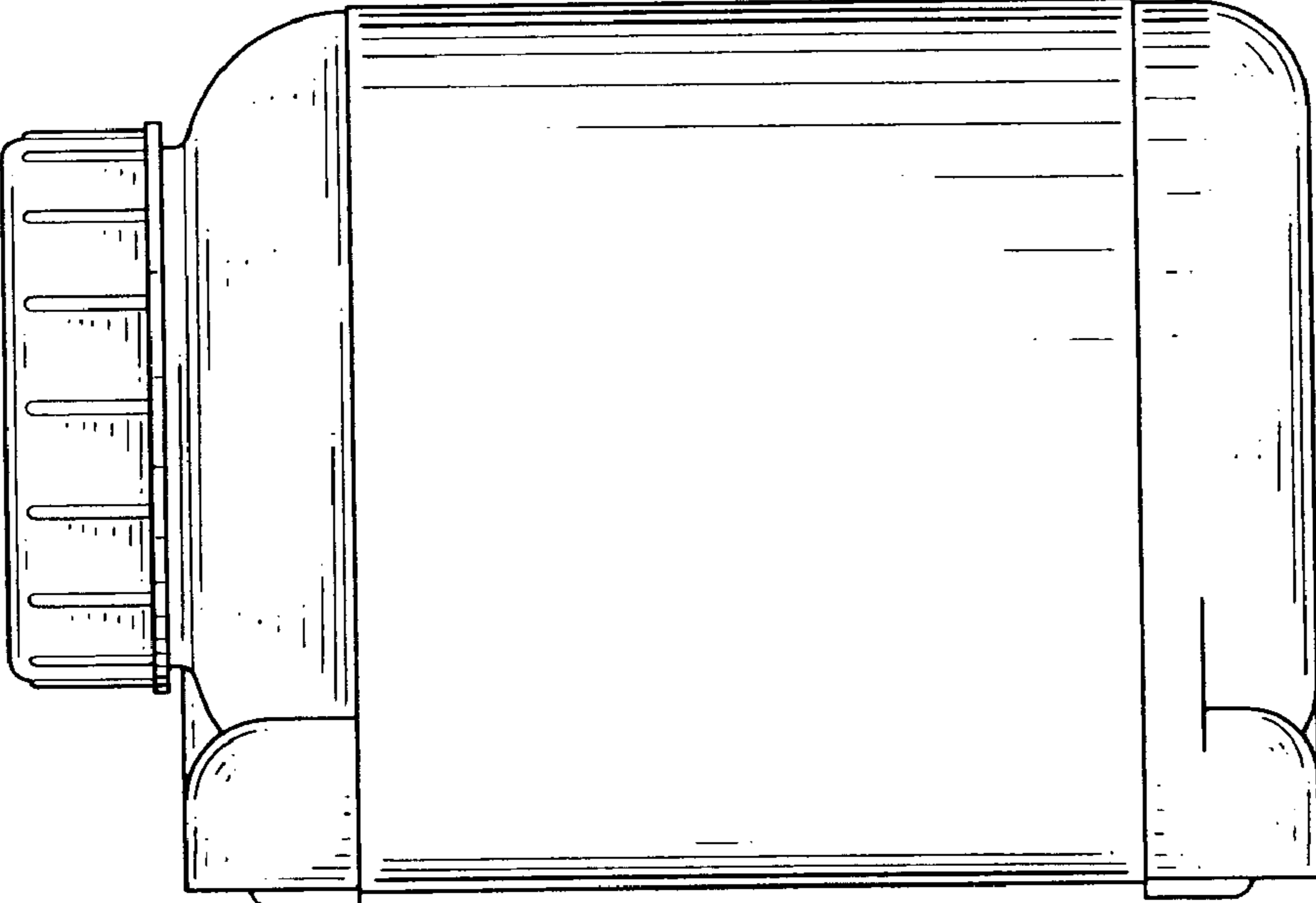


FIG. 3

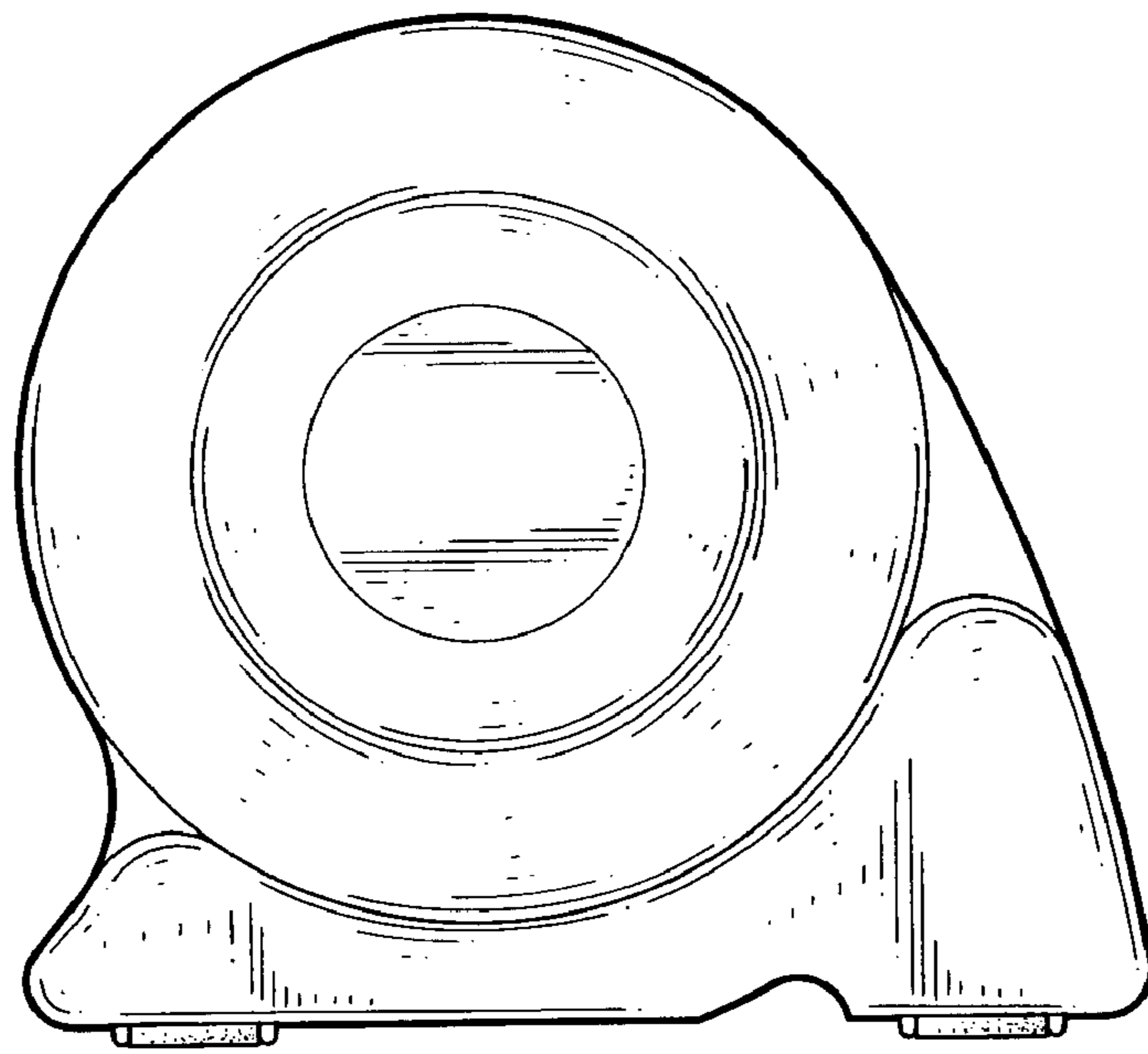


FIG.4

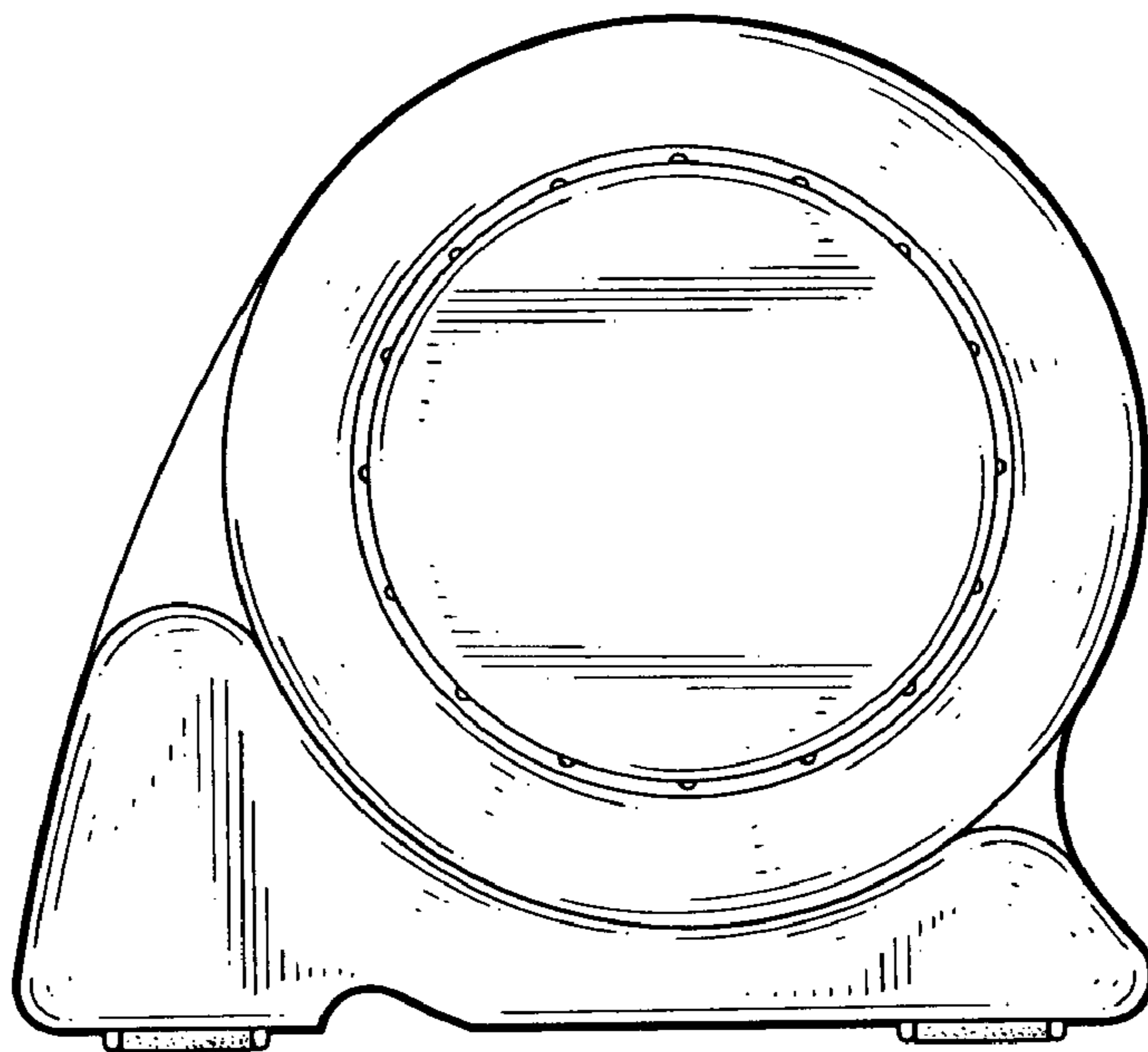


FIG.5

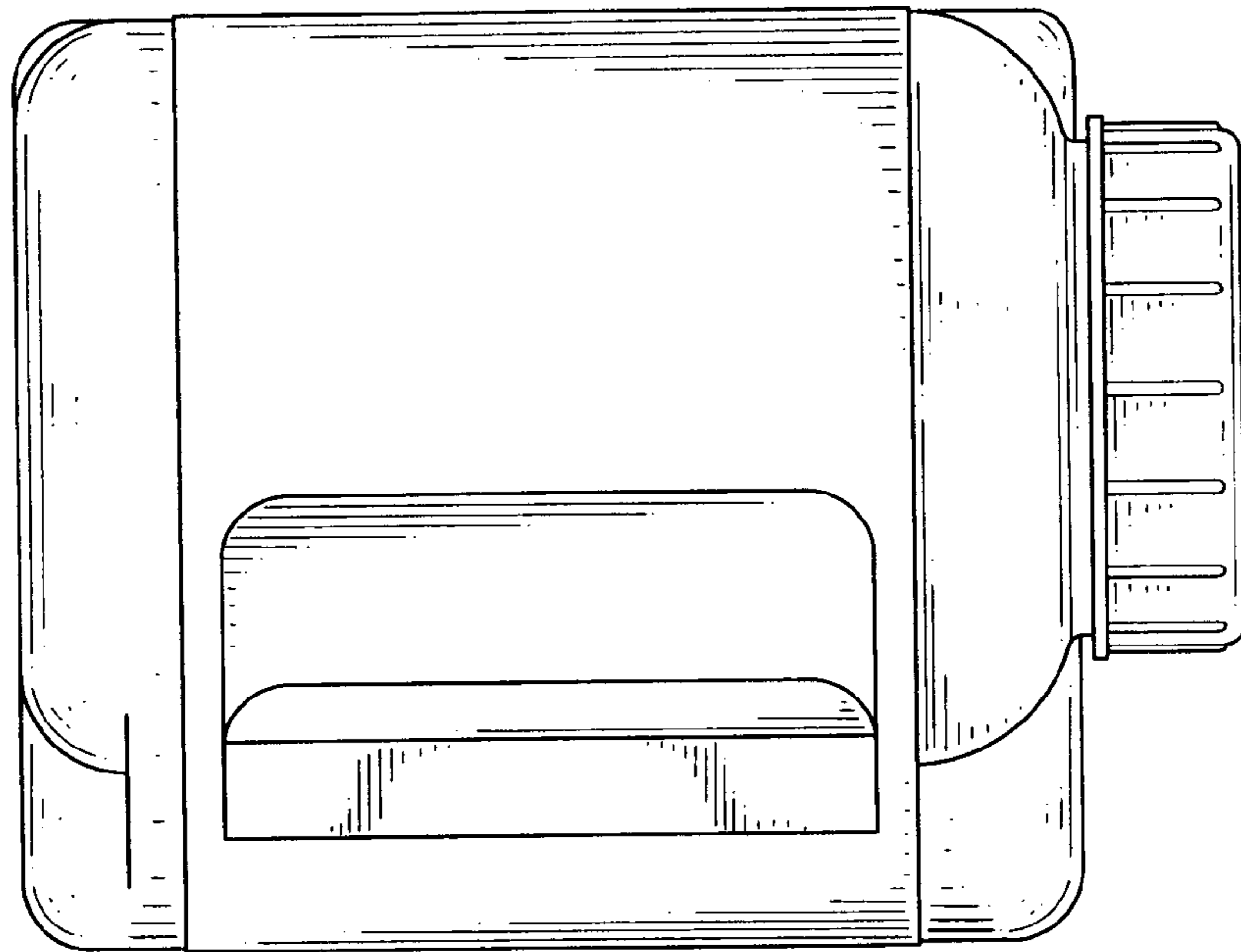


FIG. 6

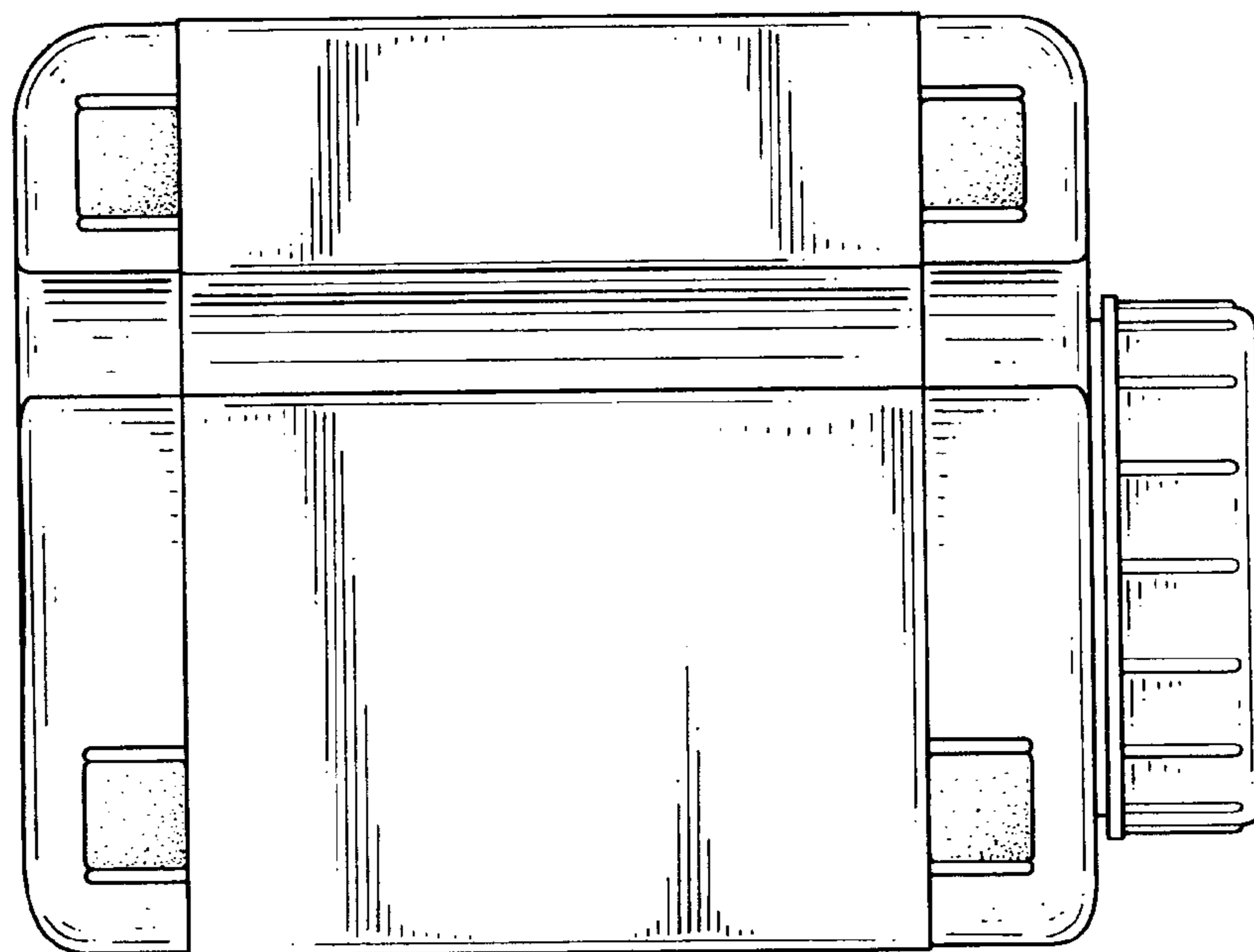


FIG. 7

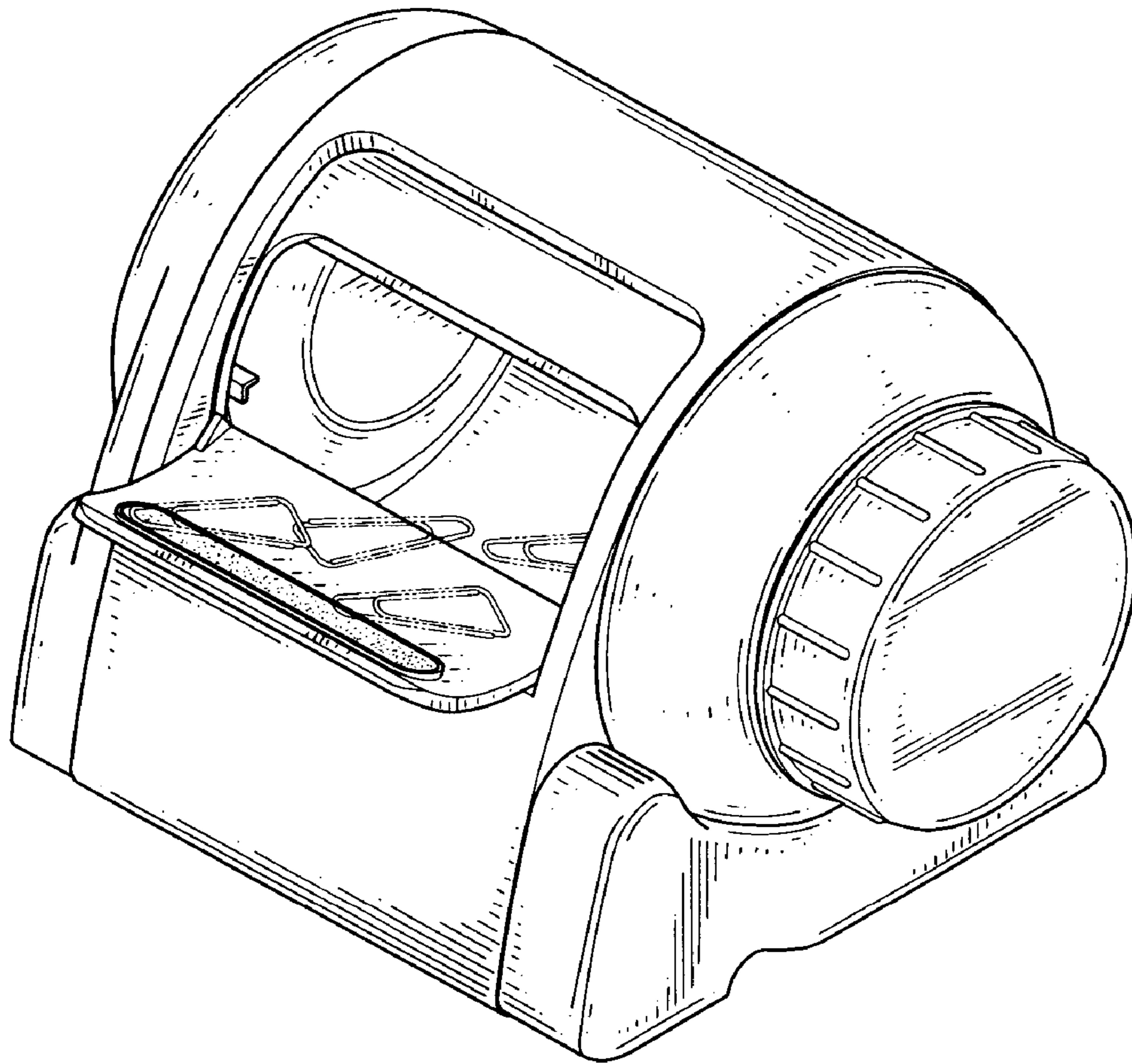


FIG.8