



US00D513520S

(12) **United States Design Patent**
Piltz et al.

(10) **Patent No.:** **US D513,520 S**
(45) **Date of Patent:** **** Jan. 10, 2006**

- (54) **TAPE DISPENSER**
- (75) Inventors: **Henrich Piltz**, Muenster (DE);
Matthias Rhode, Kaarst (DE)
- (73) Assignee: **Henkel Kommanditgesellschaft auf Aktien**, Duesseldorf (DE)
- (**) Term: **14 Years**
- (21) Appl. No.: **29/227,481**
- (22) Filed: **Apr. 12, 2005**

- 2,553,658 A 5/1951 Larson
- D190,781 S 6/1961 Reinecke
- D290,266 S 6/1987 Zucker
- D358,172 S 5/1995 Zier
- D361,089 S 8/1995 Teng
- D404,430 S 1/1999 Shen
- D430,213 S 8/2000 Huang
- 6,311,923 B1 11/2001 Tsai

Primary Examiner—Jeffrey Asch
Assistant Examiner—Elizabeth Albert
 (74) *Attorney, Agent, or Firm*—Stephen D. Harper; Glenn E. J. Murphy

Related U.S. Application Data

- (62) Division of application No. 29/209,630, filed on Jul. 19, 2004.
- (51) **LOC (8) Cl.** **19-02**
- (52) **U.S. Cl.** **D19/69**
- (58) **Field of Classification Search** D19/66,
D19/67, 68, 69, 70; 156/523, 527, 540, 577;
206/411; 225/6, 25, 39, 77; 242/588, 588.1,
242/588.2, 588.3, 588.6, 598.5
See application file for complete search history.

(56) **References Cited**
U.S. PATENT DOCUMENTS

D145,773 S 10/1946 Bronfman

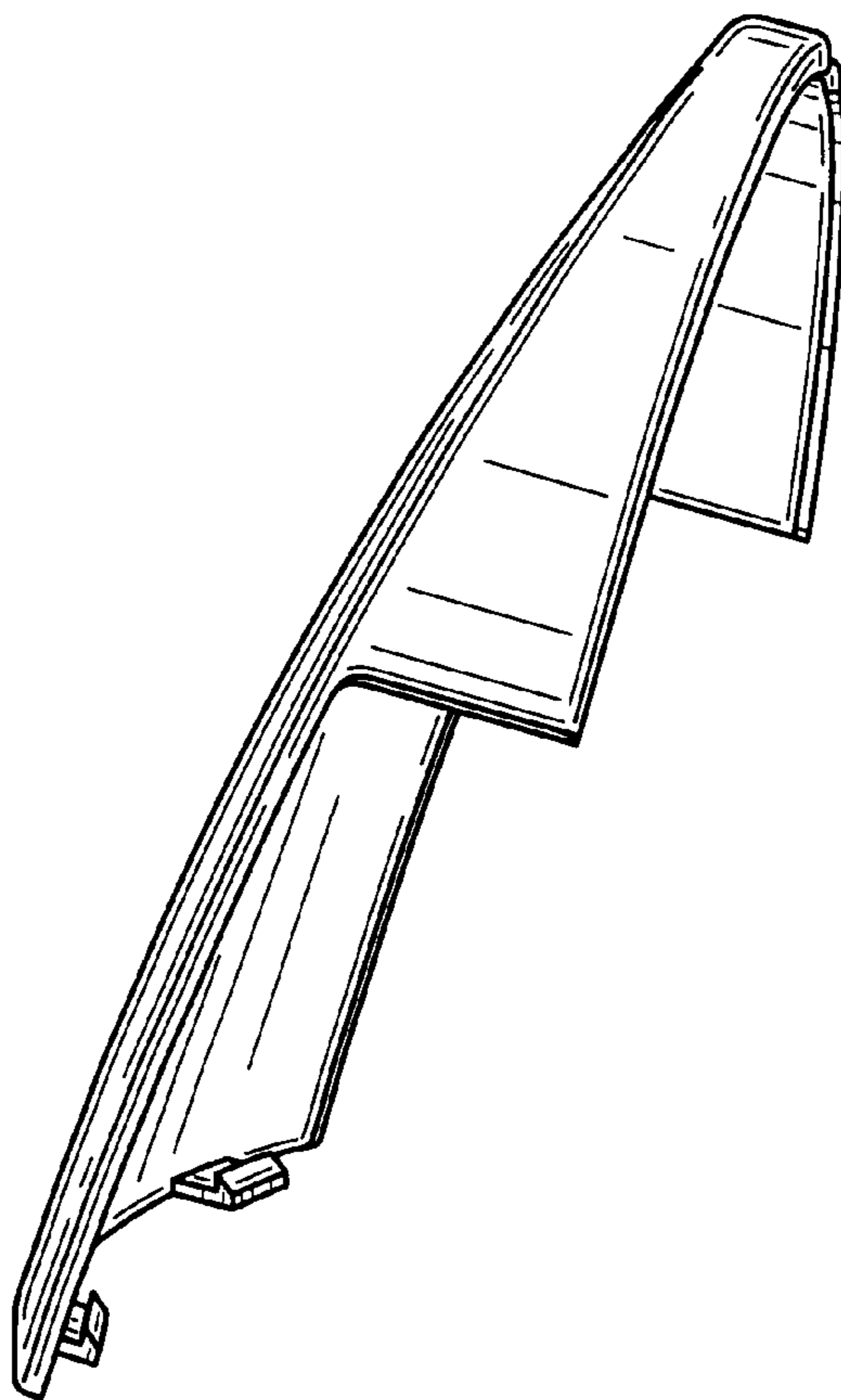
(57) **CLAIM**

The ornamental design for a tape dispenser, as shown and described.

DESCRIPTION

FIG. 1 is a top left rear perspective view of a tape dispenser according to the new design;
 FIG. 2 is a front elevation view thereof;
 FIG. 3 is a rear elevation view thereof;
 FIG. 4 is a left elevation view thereof;
 FIG. 5 is a right elevation view thereof;
 FIG. 6 is a top plan view thereof; and,
 FIG. 7 is a bottom plan view thereof.

1 Claim, 3 Drawing Sheets



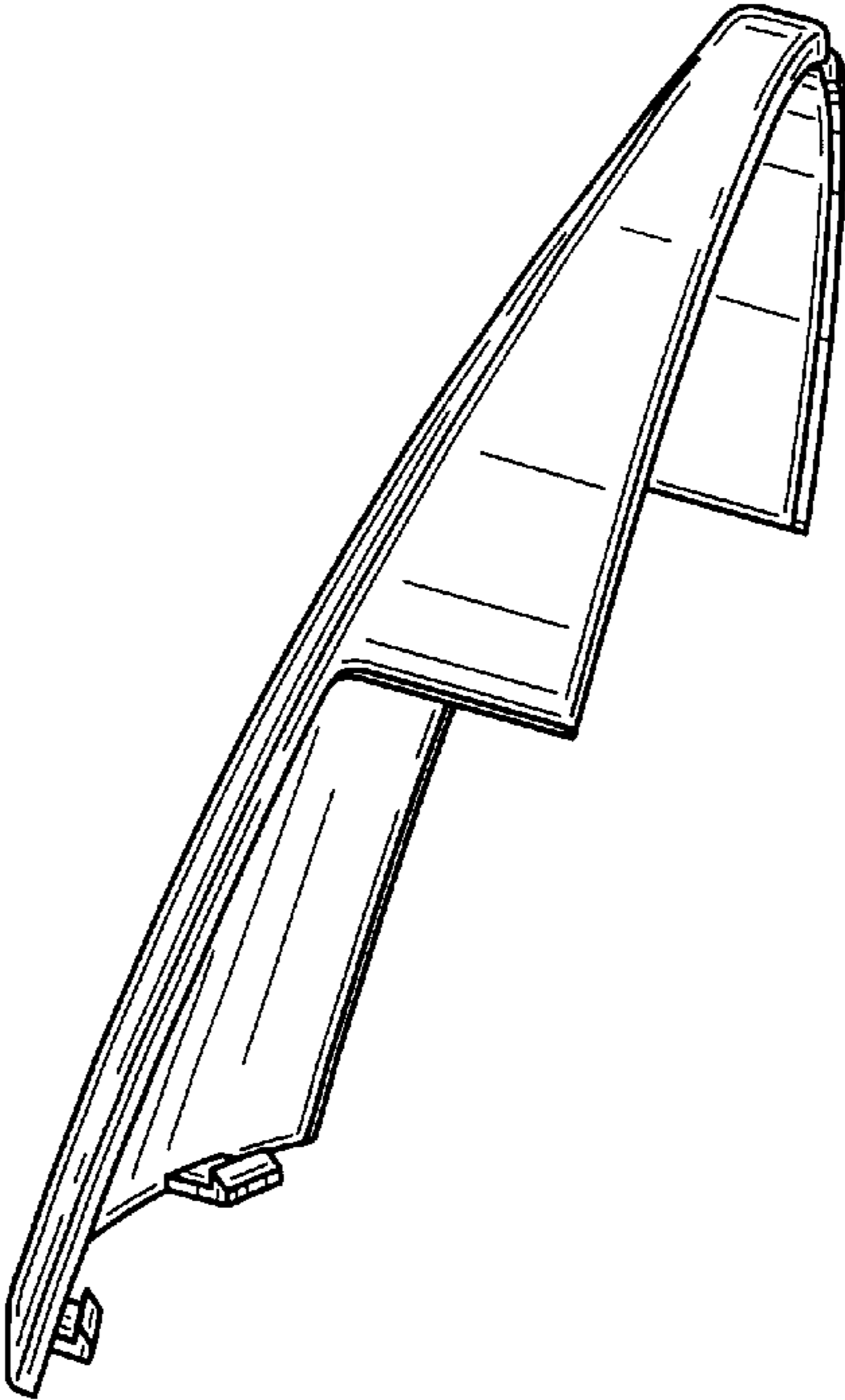


FIG. 1

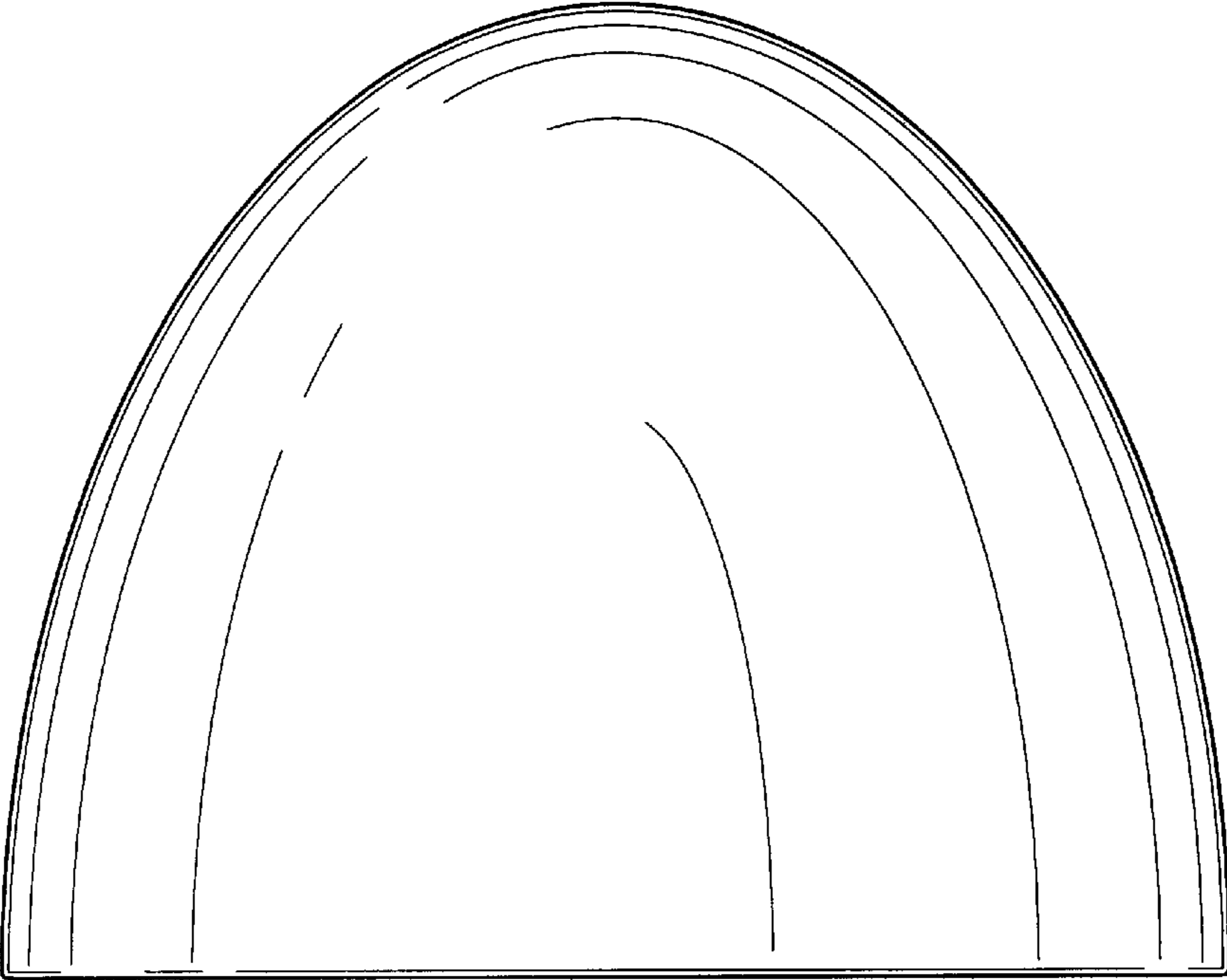


FIG. 2

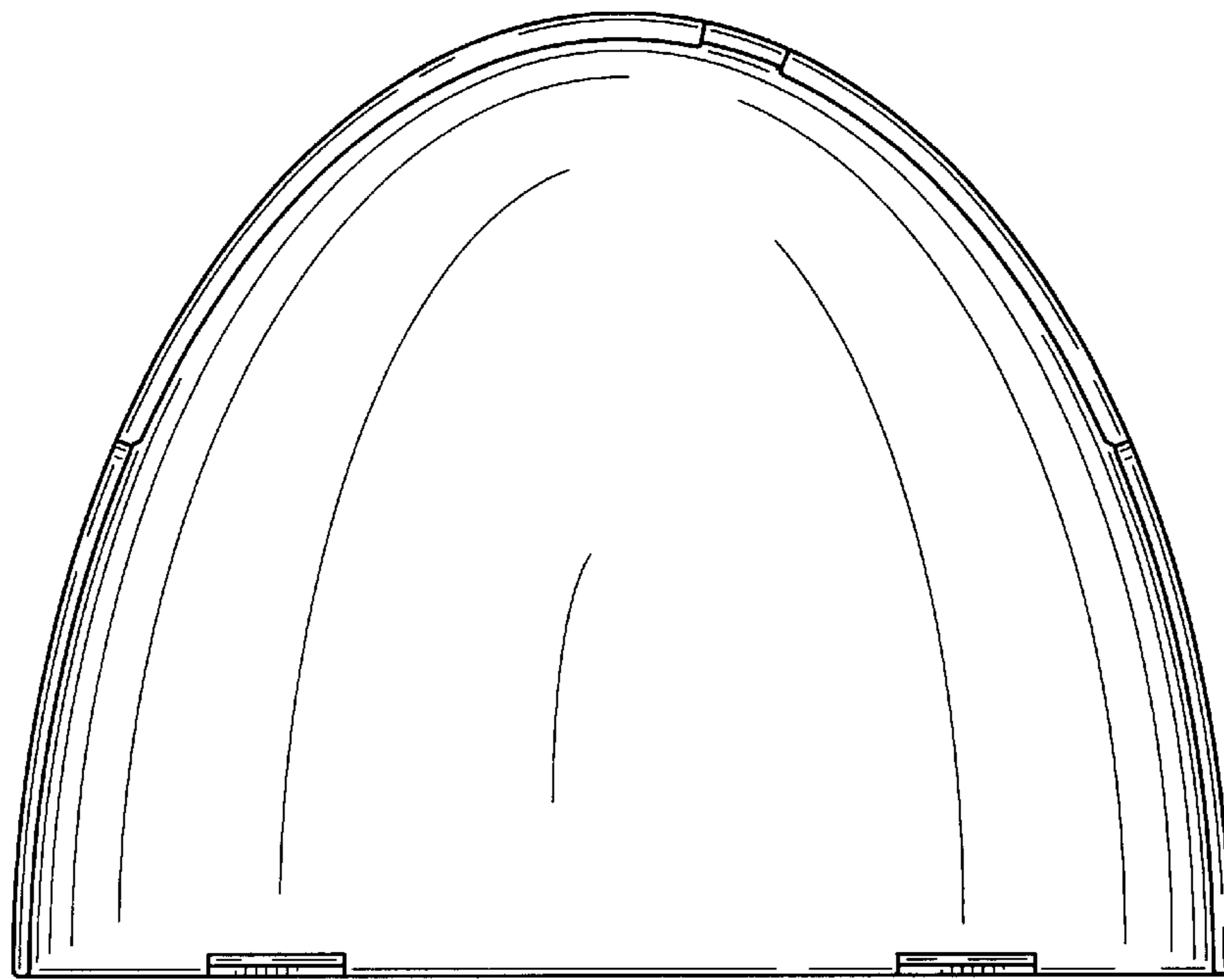


FIG. 3

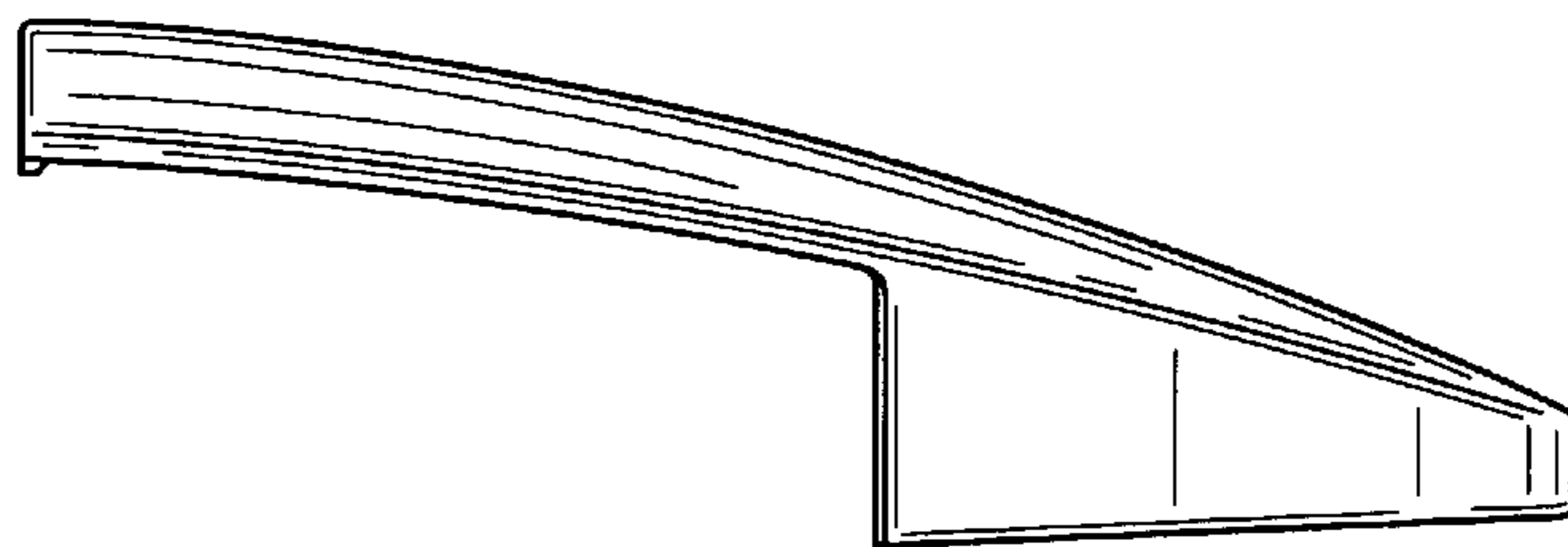


FIG. 4

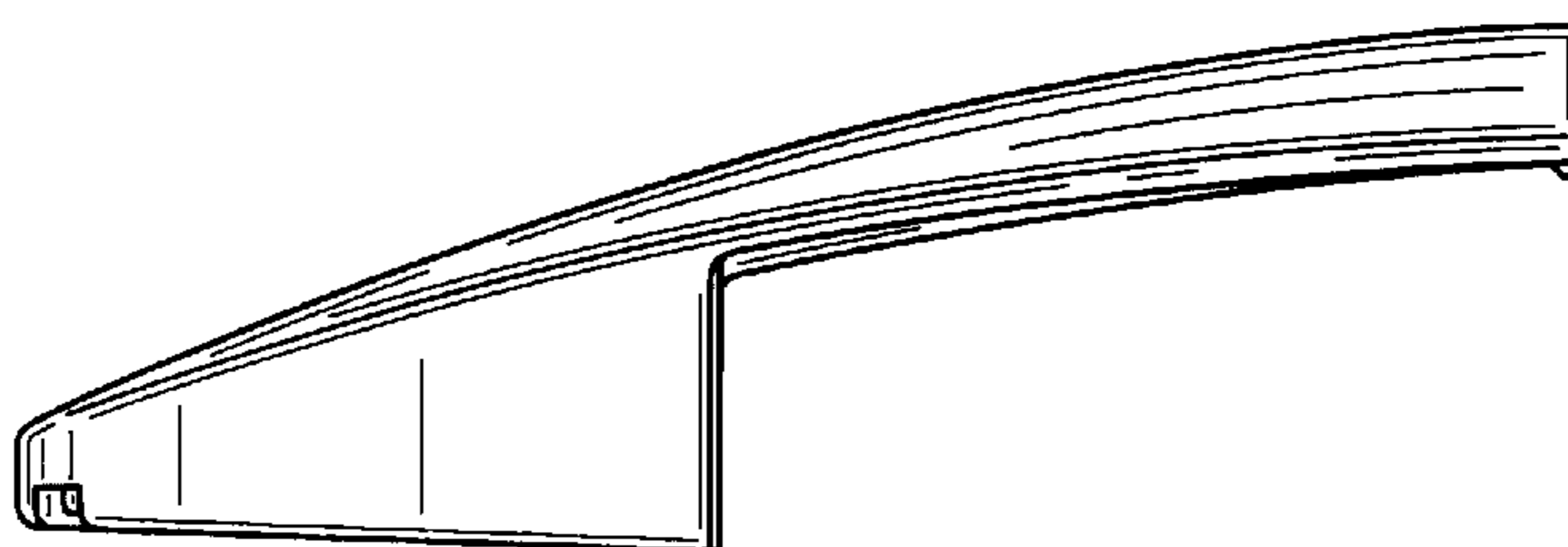


FIG. 5

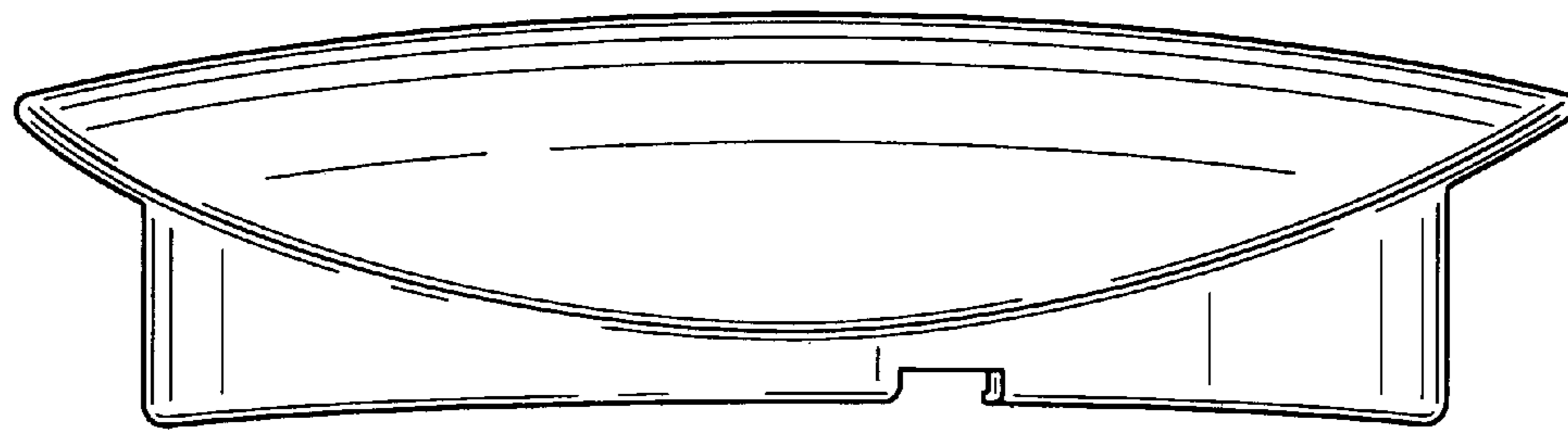


FIG. 6

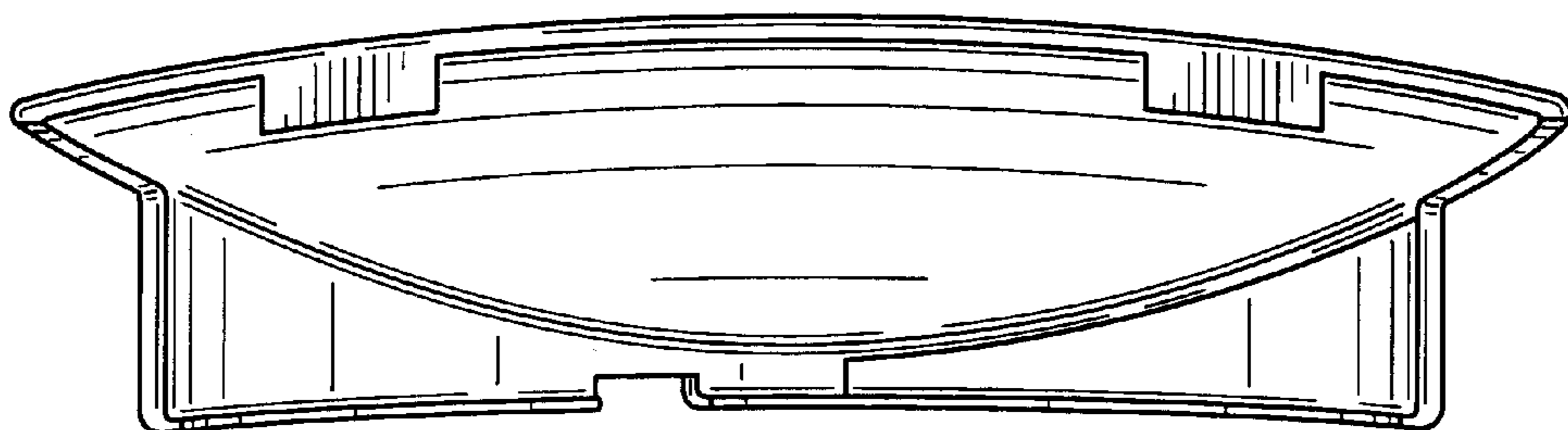


FIG. 7