



US00D513516S

(12) **United States Design Patent**
Pininfarina

(10) **Patent No.:** **US D513,516 S**
(45) **Date of Patent:** **** Jan. 10, 2006**

(54) **OVERHEAD PROJECTION SYSTEM**

D435,578 S * 12/2000 Adachi et al. D16/232

(75) **Inventor:** **Paolo Pininfarina**, Cambiano (IT)

OTHER PUBLICATIONS

(73) **Assignee:** **3M Innovative Properties Company**,
St. Paul, MN (US)

Design, Mar. 1981 p. 39 (overhead projector).*

(**) **Term:** **14 Years**

* cited by examiner

(21) **Appl. No.:** **29/209,460**

Primary Examiner—Adir Aronovich

(22) **Filed:** **Jul. 16, 2004**

(74) *Attorney, Agent, or Firm*—Gregg H. Rosenblatt; Yen
Tong Florczak

(30) **Foreign Application Priority Data**

(57) **CLAIM**

Jan. 16, 2004 (EM) 126800

The ornamental design for a overhead projection system, as
shown and described.

(51) **LOC (8) Cl.** **16-02**

DESCRIPTION

(52) **U.S. Cl.** **D16/235; D16/232**

(58) **Field of Classification Search** D16/221,
D16/225, 229, 232, 235; 353/115, 119, 122,
353/DIG. 3, DIG. 4, DIG. 5

FIG. 1 is a perspective view of an overhead projection
system showing the new design for a overhead projection
system. As shown, the overhead projection system is ori-
ented upright;

See application file for complete search history.

FIG. 2 is a side view thereof;

FIG. 3 is a front view thereof;

FIG. 4 is a rear view thereof;

FIG. 5 is a top plan view thereof; and,

FIG. 6 is a bottom plan view thereof.

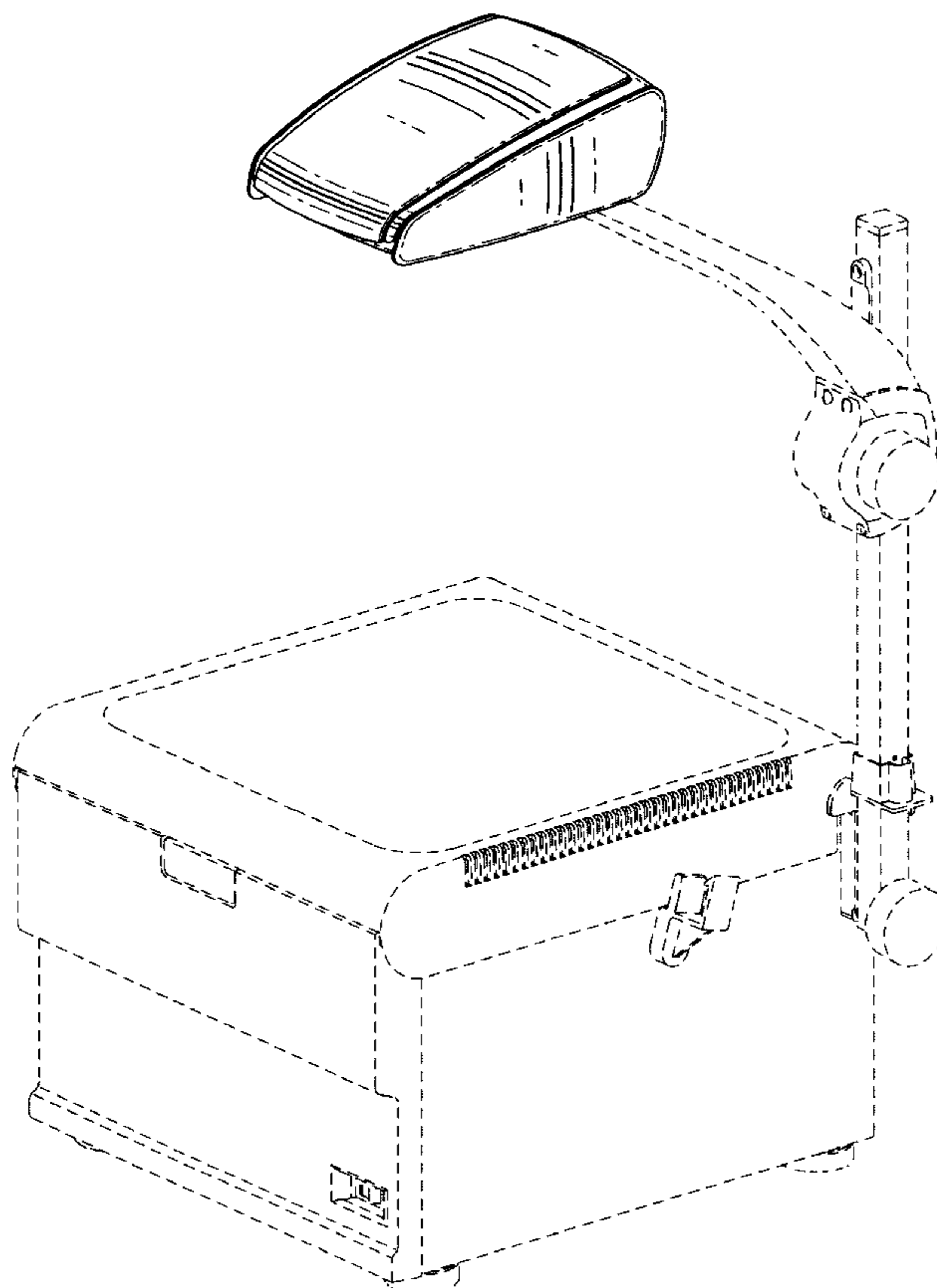
The portions of the article in broken lines are shown for
illustrative purposes only and form no part of the claimed
design.

(56) **References Cited**

U.S. PATENT DOCUMENTS

5,013,149 A * 5/1991 Downum et al. 353/122
5,035,502 A * 7/1991 Stokes 353/DIG. 3
D344,533 S * 2/1994 Hasegawa D16/232
D349,715 S * 8/1994 Darland D16/232
D365,836 S * 1/1996 Hasegawa D16/232

1 Claim, 3 Drawing Sheets



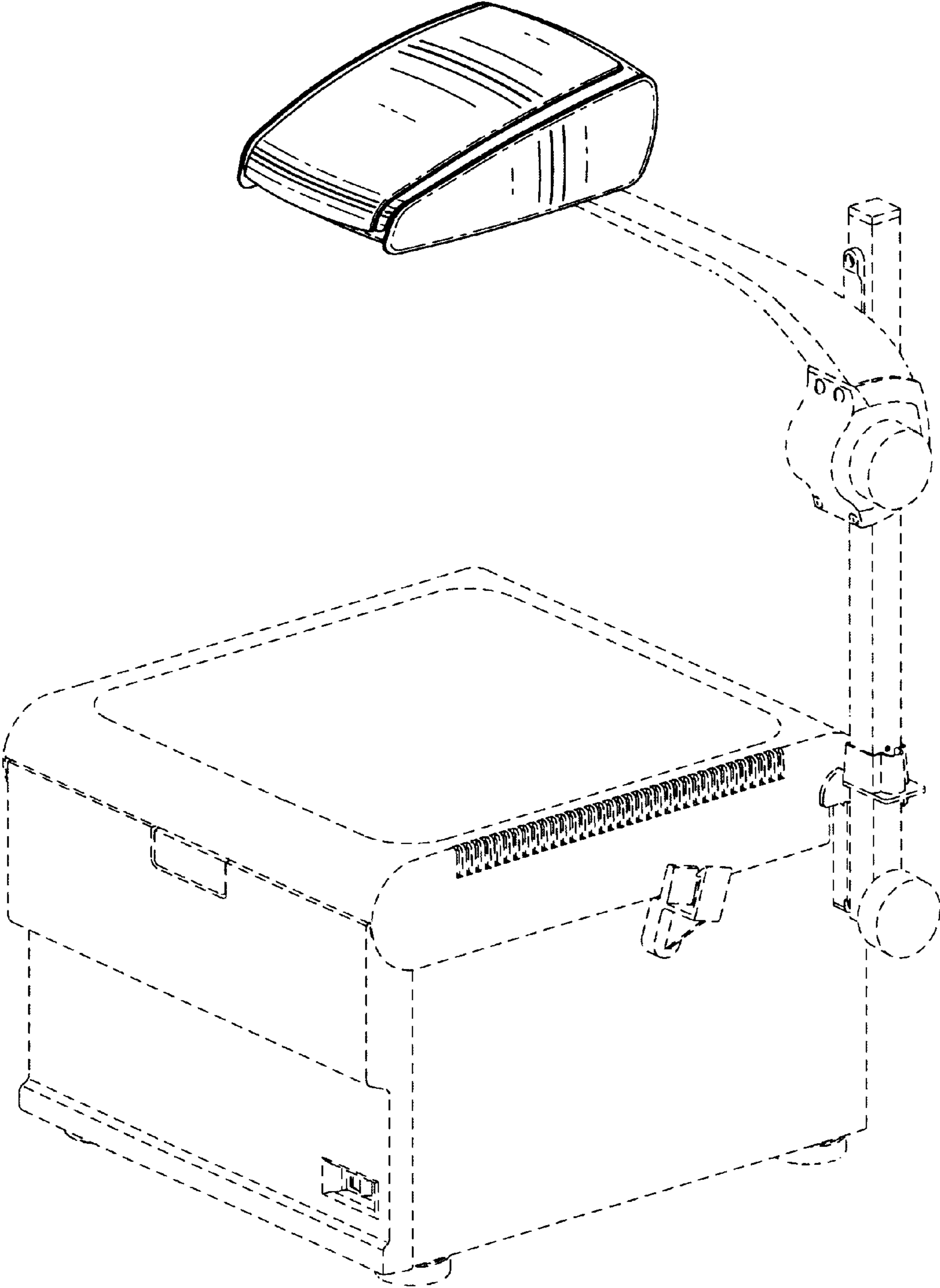


FIG. 1

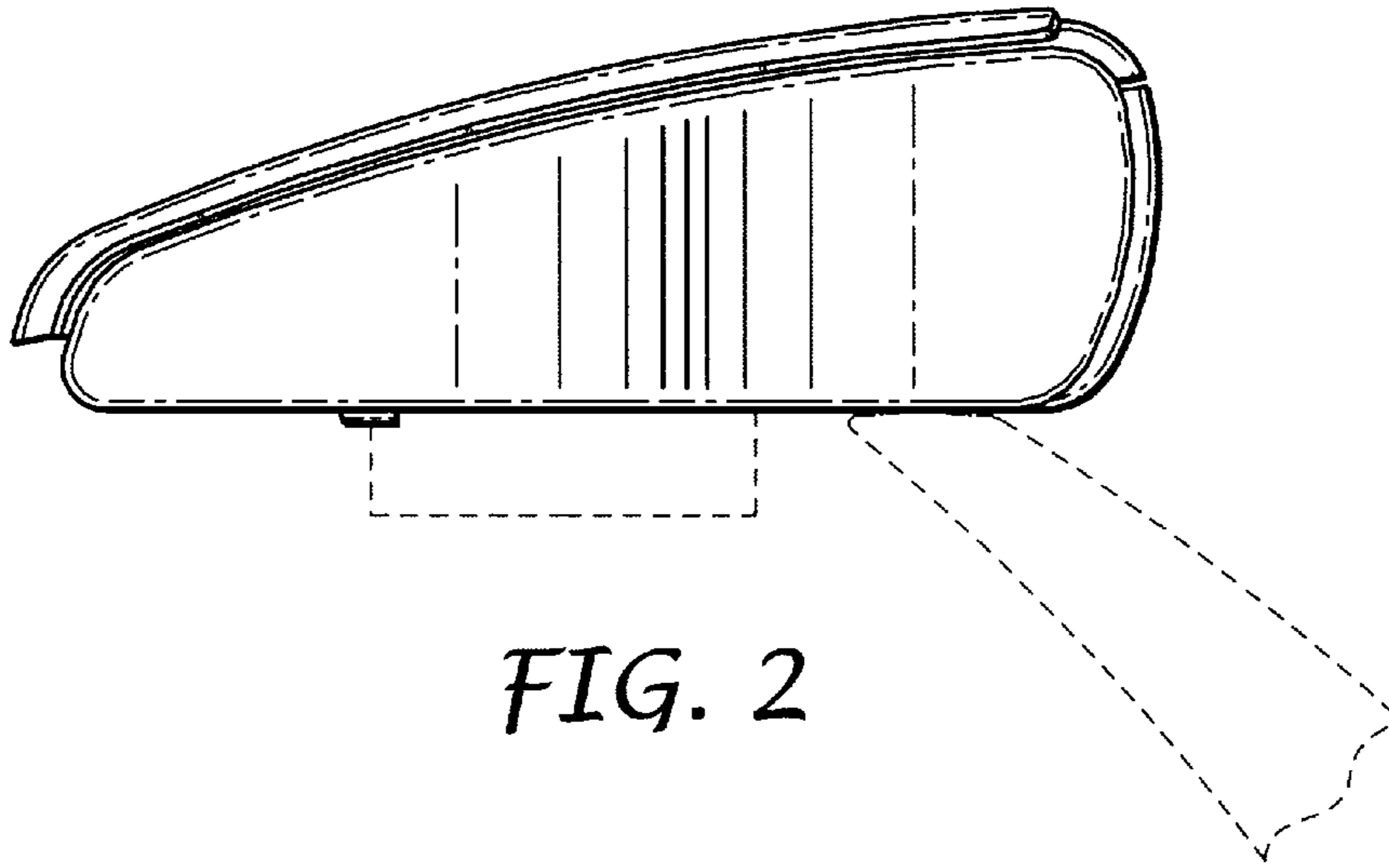


FIG. 2

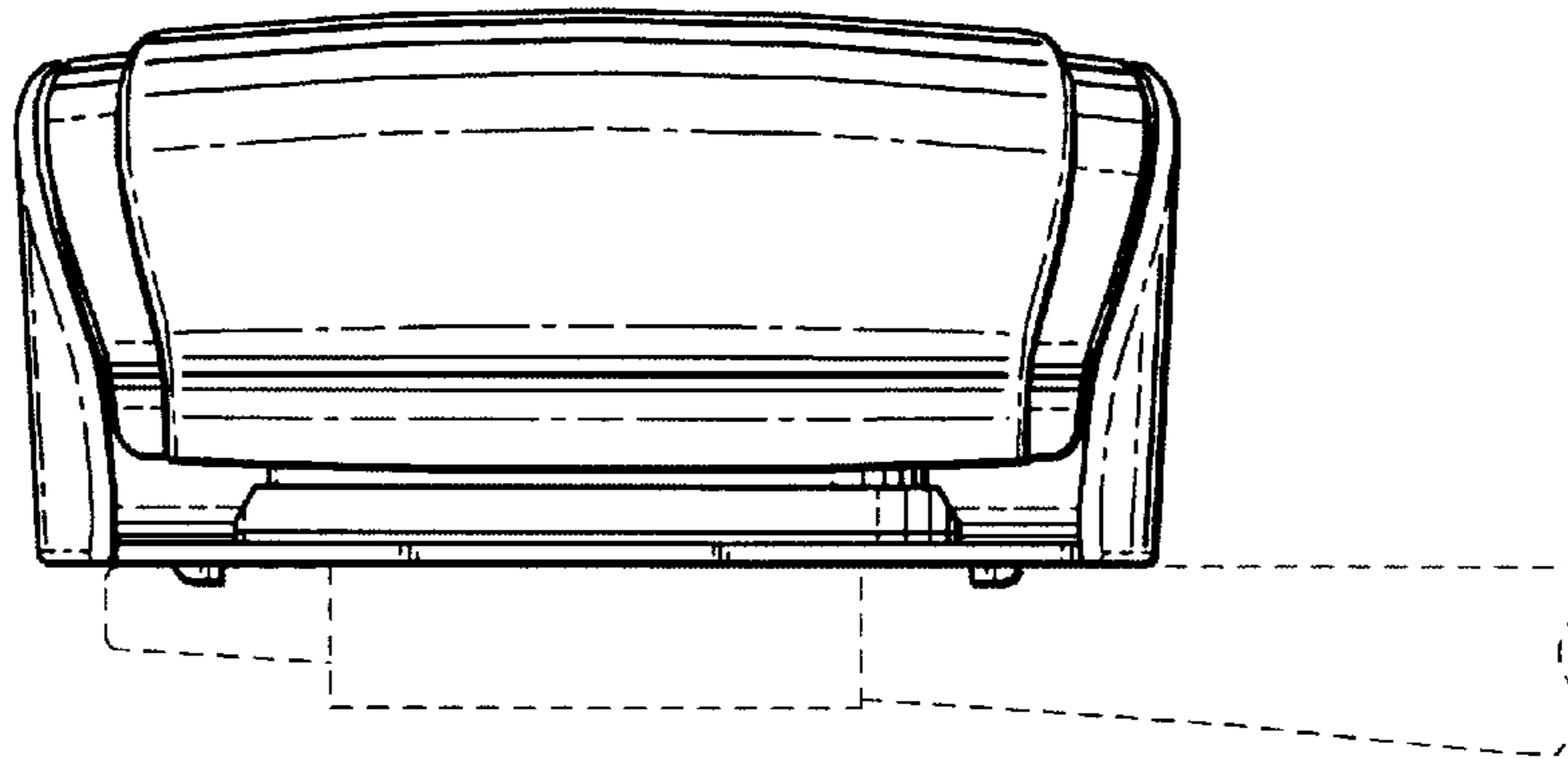


FIG. 3

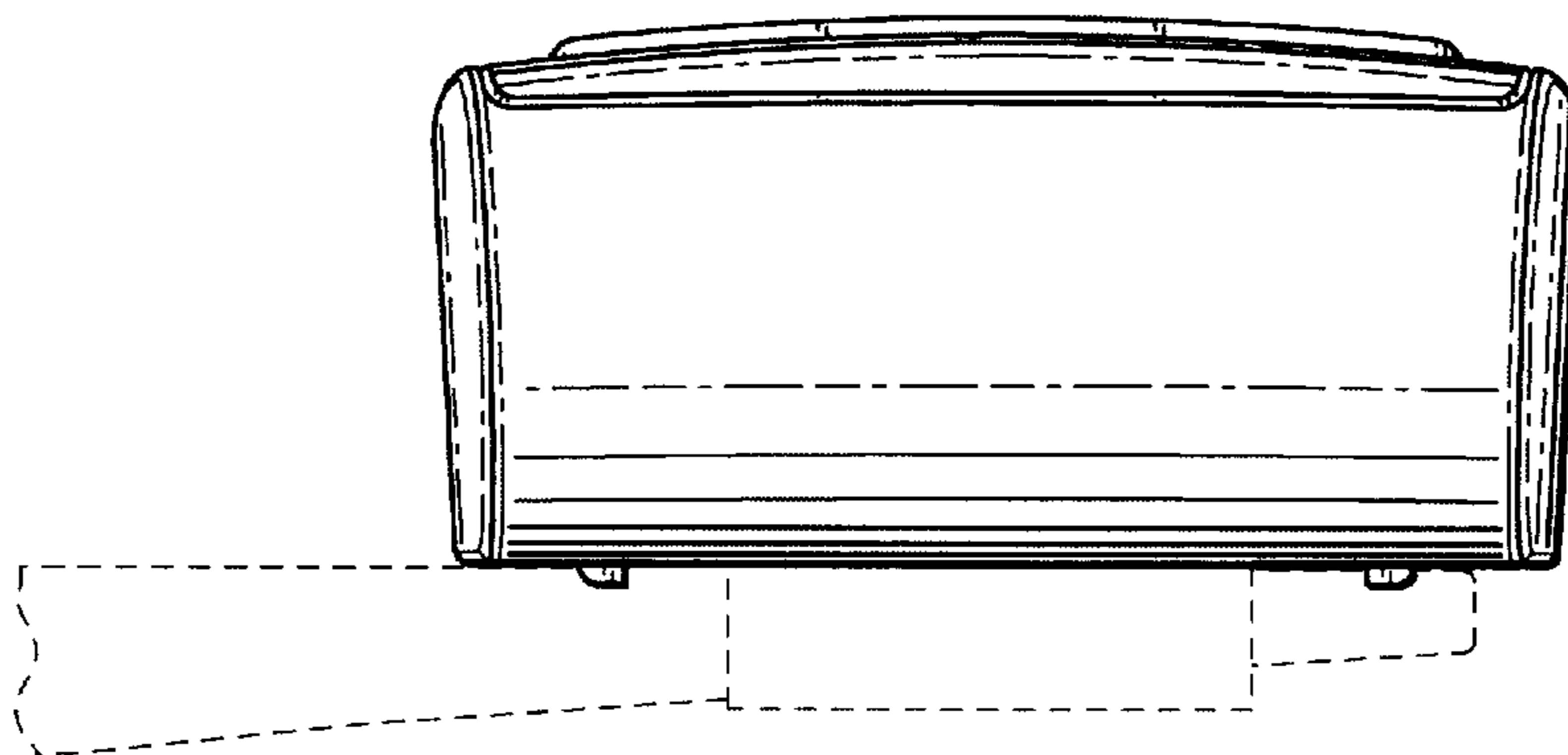


FIG. 4

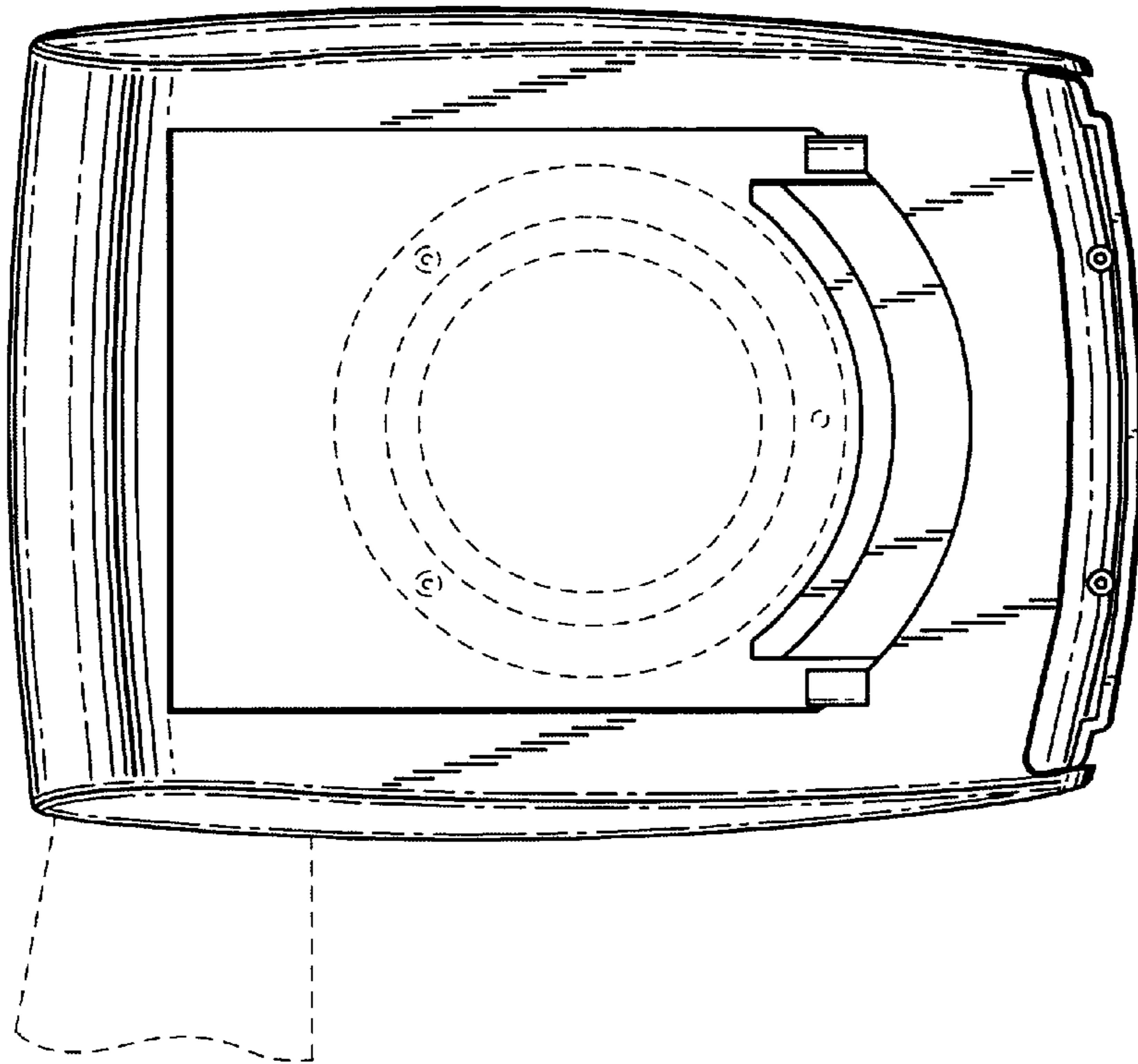


FIG. 6

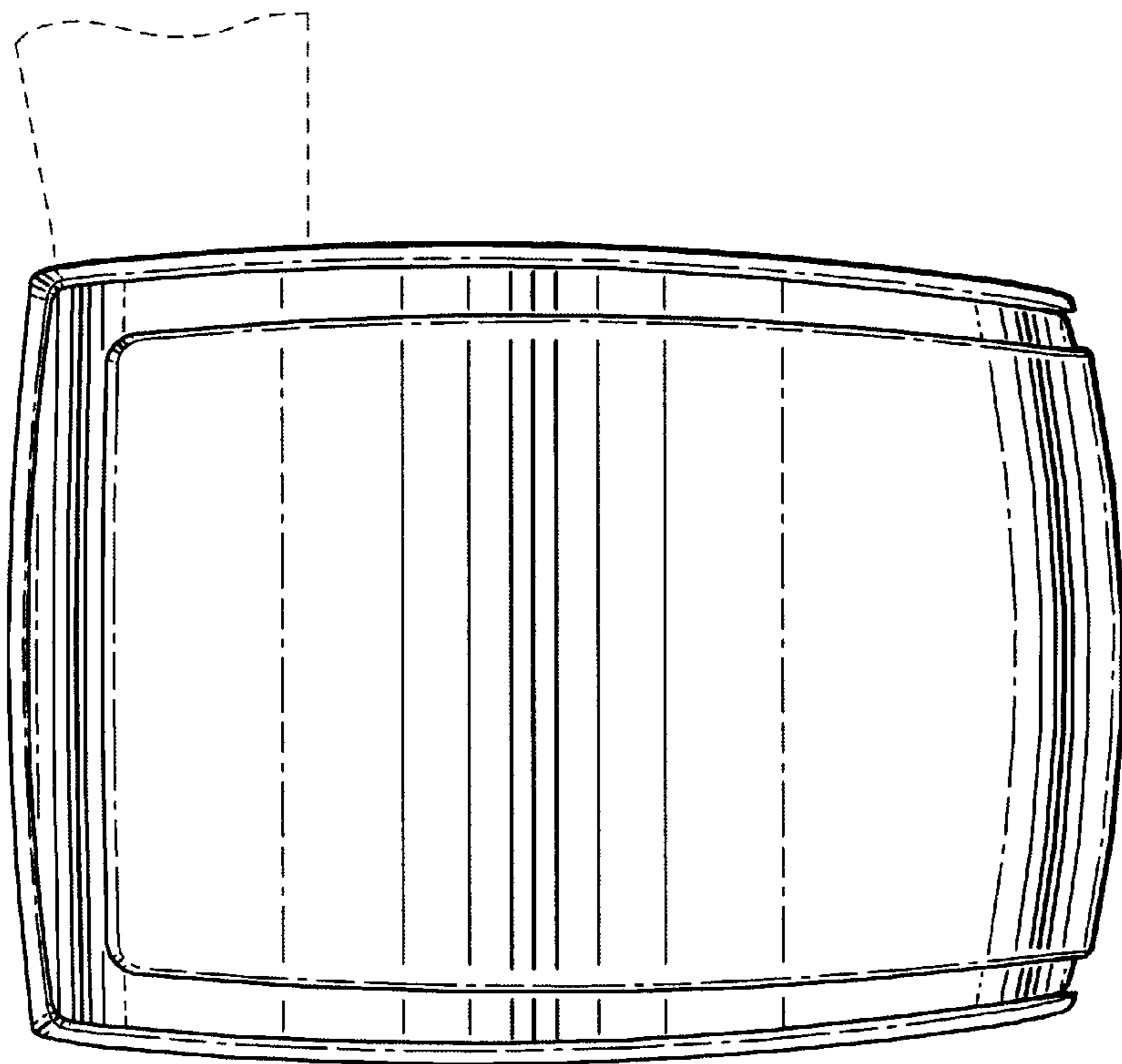


FIG. 5