



US00D513515S

(12) **United States Design Patent**
Ooshima et al.

(10) **Patent No.: US D513,515 S**
(45) **Date of Patent: ** Jan. 10, 2006**

(54) **LIQUID CRYSTAL PROJECTOR**
(75) Inventors: **Jun Ooshima, Ota-ku (JP); Masatomo Naruki, Kawasaki (JP)**

D480,410 S * 10/2003 Morishita et al. D16/230
D492,338 S * 6/2004 Ooshima D16/230
6,793,347 B2 * 9/2004 Morishita 353/119
6,837,583 B2 * 1/2005 Gishi et al. 353/119

(73) Assignee: **Kabushiki Kaisha Toshiba (JP)**
(**) Term: **14 Years**

FOREIGN PATENT DOCUMENTS

JP 883545 11/1993
JP 1120080 9/2001

(21) Appl. No.: **29/202,515**
(22) Filed: **Apr. 1, 2004**

* cited by examiner

Primary Examiner—Adir Aronovich
(74) *Attorney, Agent, or Firm*—Banner & Witcoff, Ltd.

(30) **Foreign Application Priority Data**
Feb. 25, 2004 (JP) 2004-005532

(57) **CLAIM**

The ornamental design for a liquid crystal projector, as shown and described.

(51) **LOC (8) Cl.** **16-02**
(52) **U.S. Cl.** **D16/230; D16/225**
(58) **Field of Classification Search** D16/205,
D16/208, 213, 221, 225, 230, 231, 234; D21/514;
349/7, 8, 58; 352/34, 242; 353/119, 122
See application file for complete search history.

DESCRIPTION

FIG. 1 is a top, front and right side perspective view of a liquid crystal projector showing our new design, FIG. 2 is a front elevational view thereof, FIG. 3 is a rear elevational view thereof, FIG. 4 is a top plan view thereof, FIG. 5 is a left side elevational view thereof, FIG. 6 is a right side elevational view thereof; and, FIG. 7 is a bottom plan view thereof.

(56) **References Cited**
U.S. PATENT DOCUMENTS

D449,331 S * 10/2001 Kawahara et al. D16/230
D475,389 S 6/2003 Kurokawa
D480,408 S * 10/2003 Kawashima D16/230

1 Claim, 3 Drawing Sheets

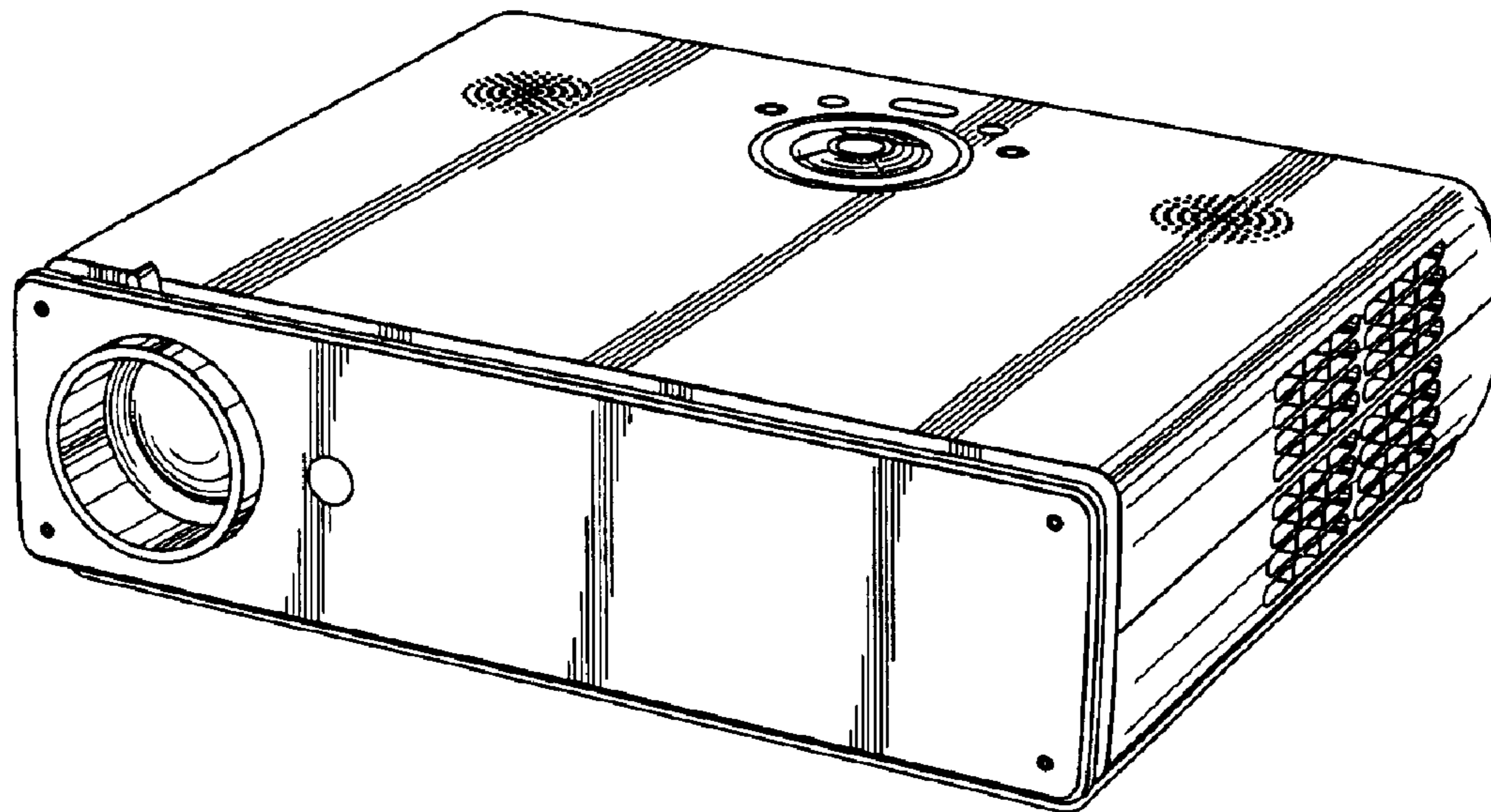


FIG. 1

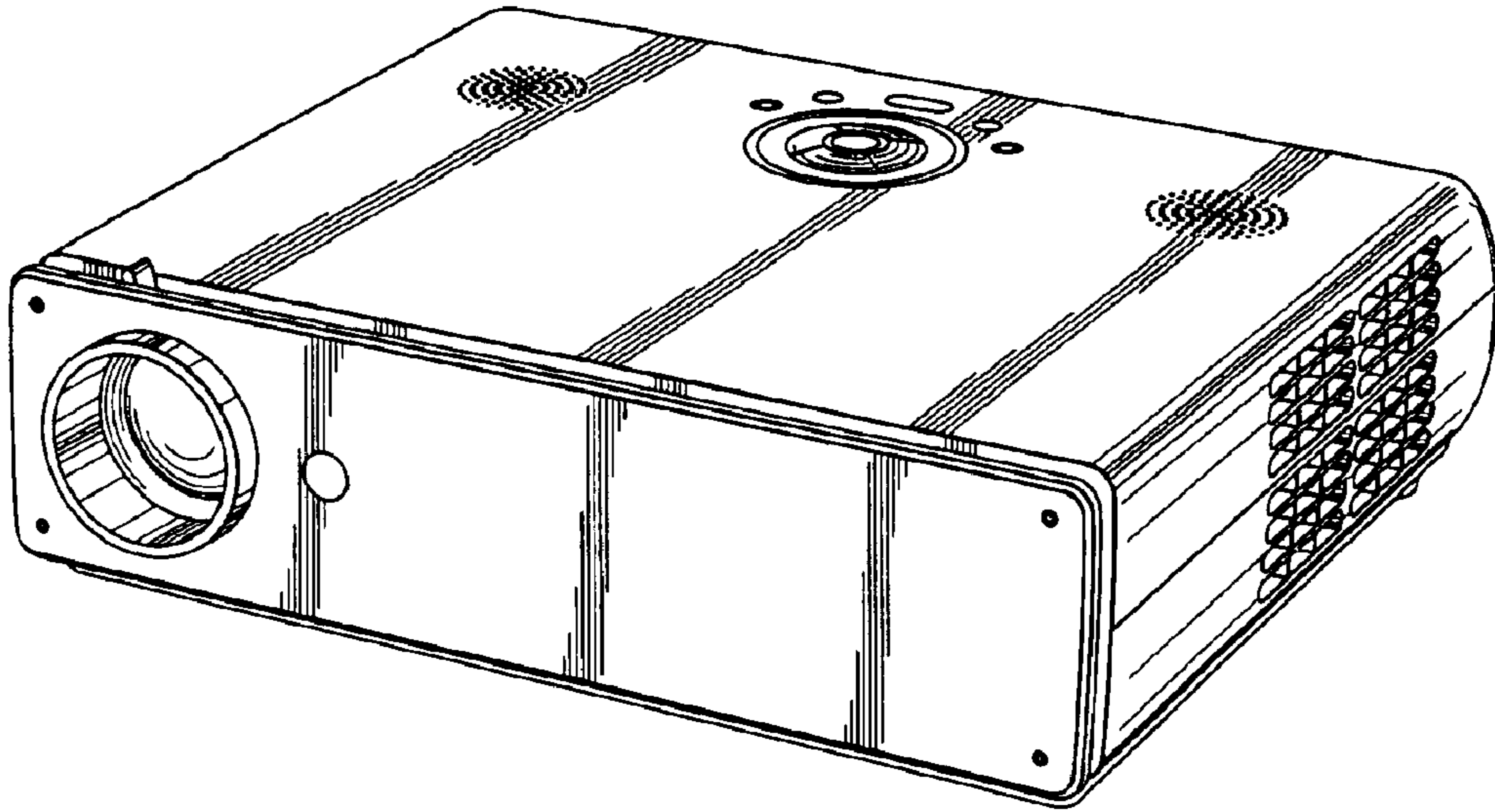


FIG. 2

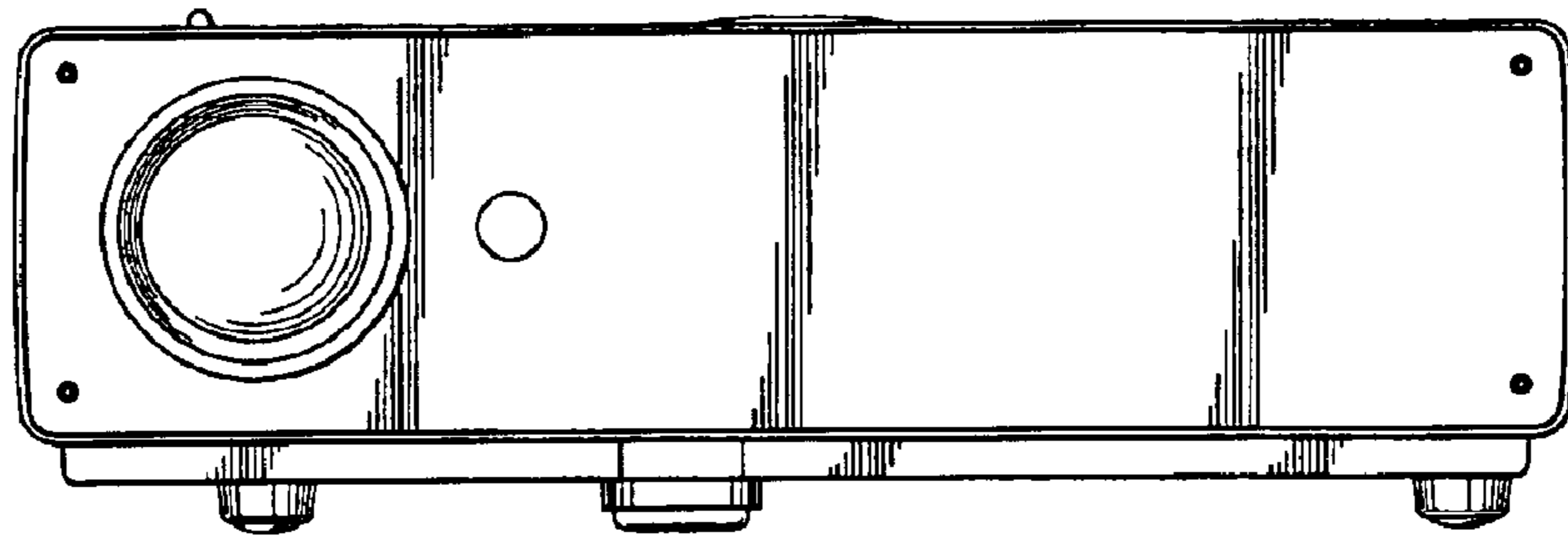


FIG. 3

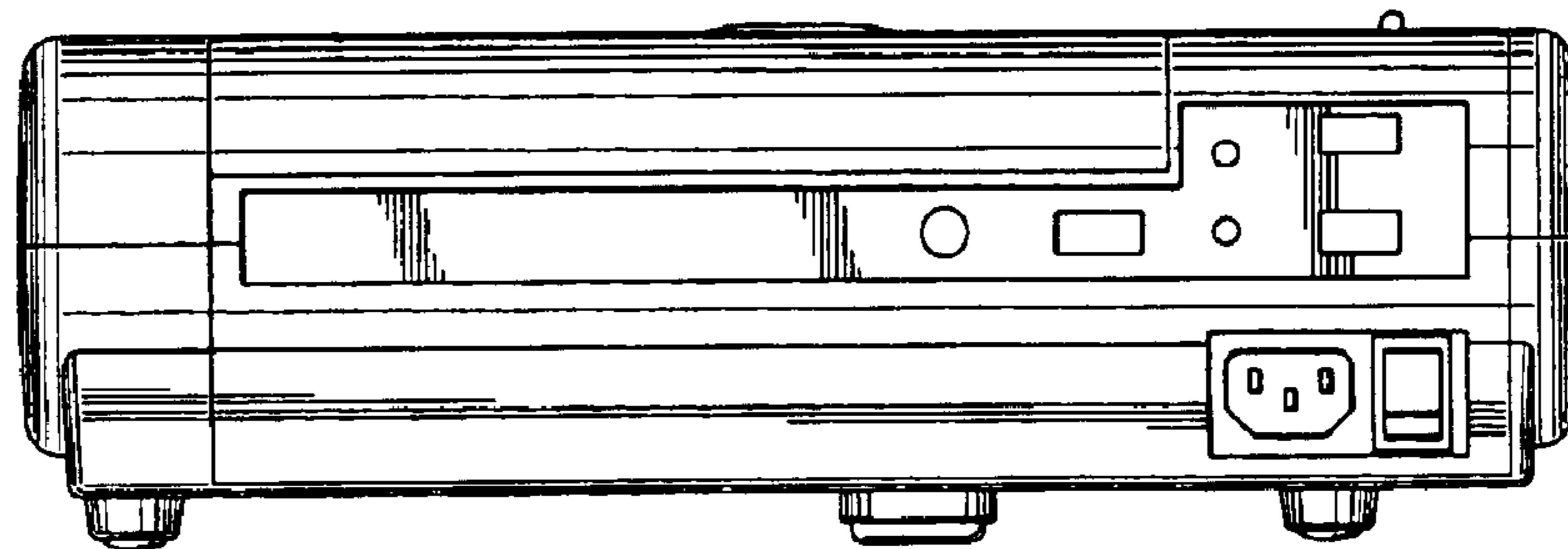


FIG. 4

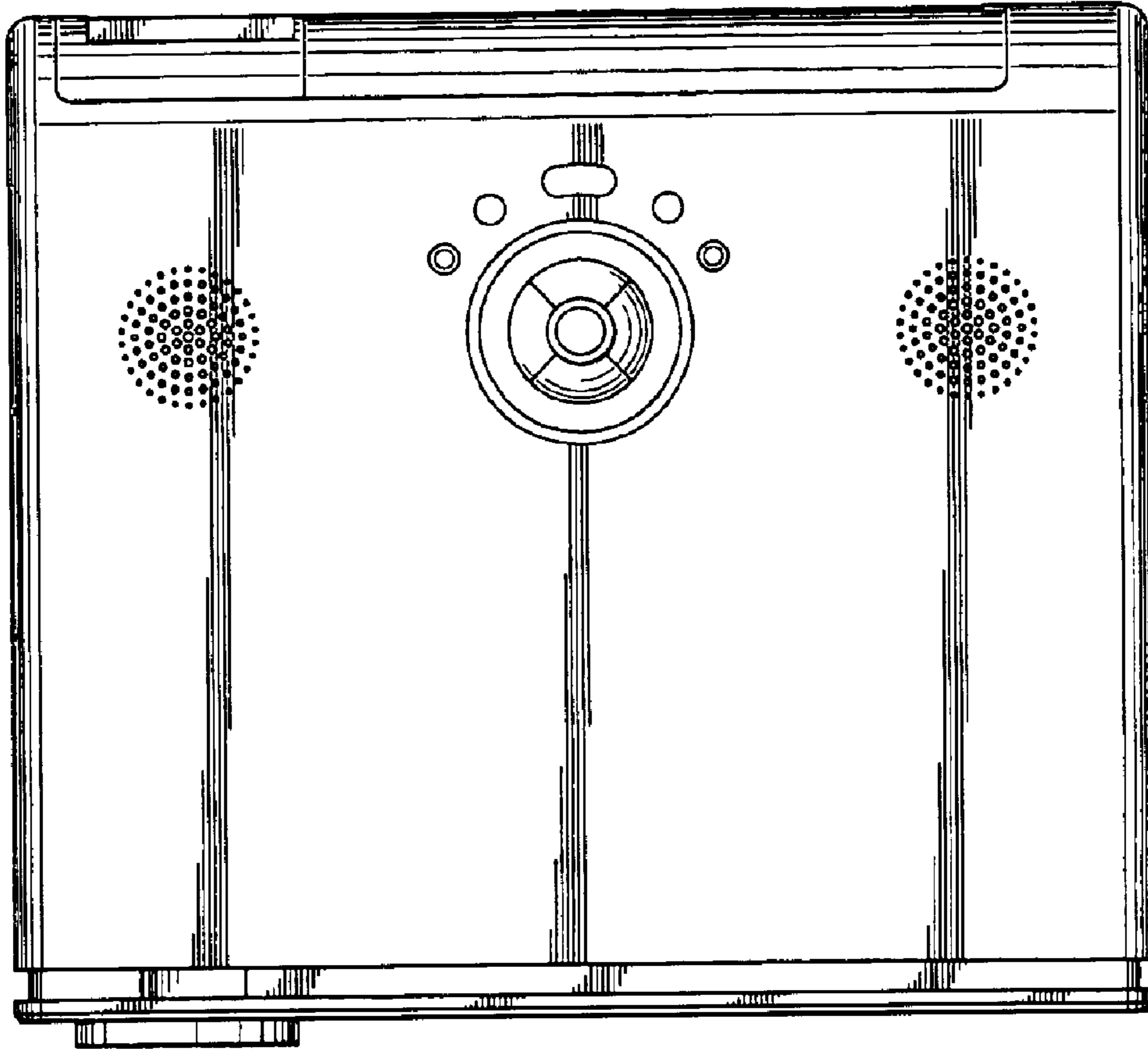


FIG. 5

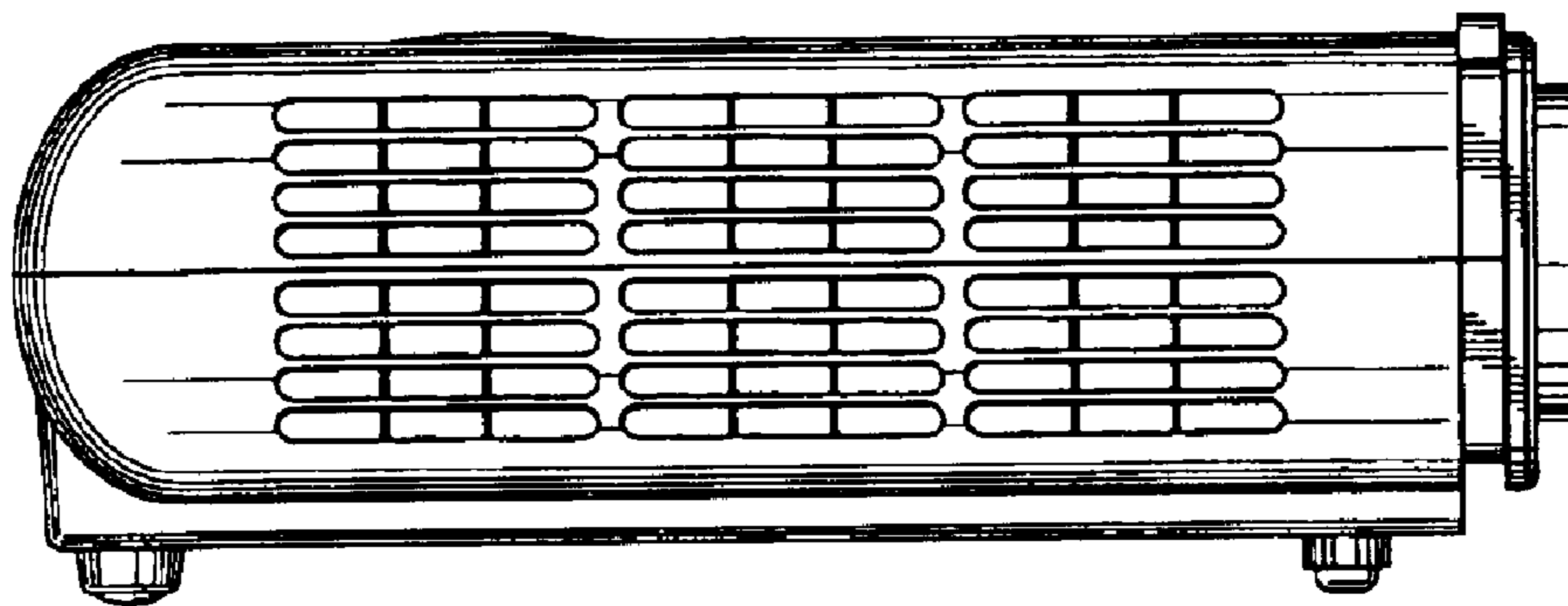


FIG. 6

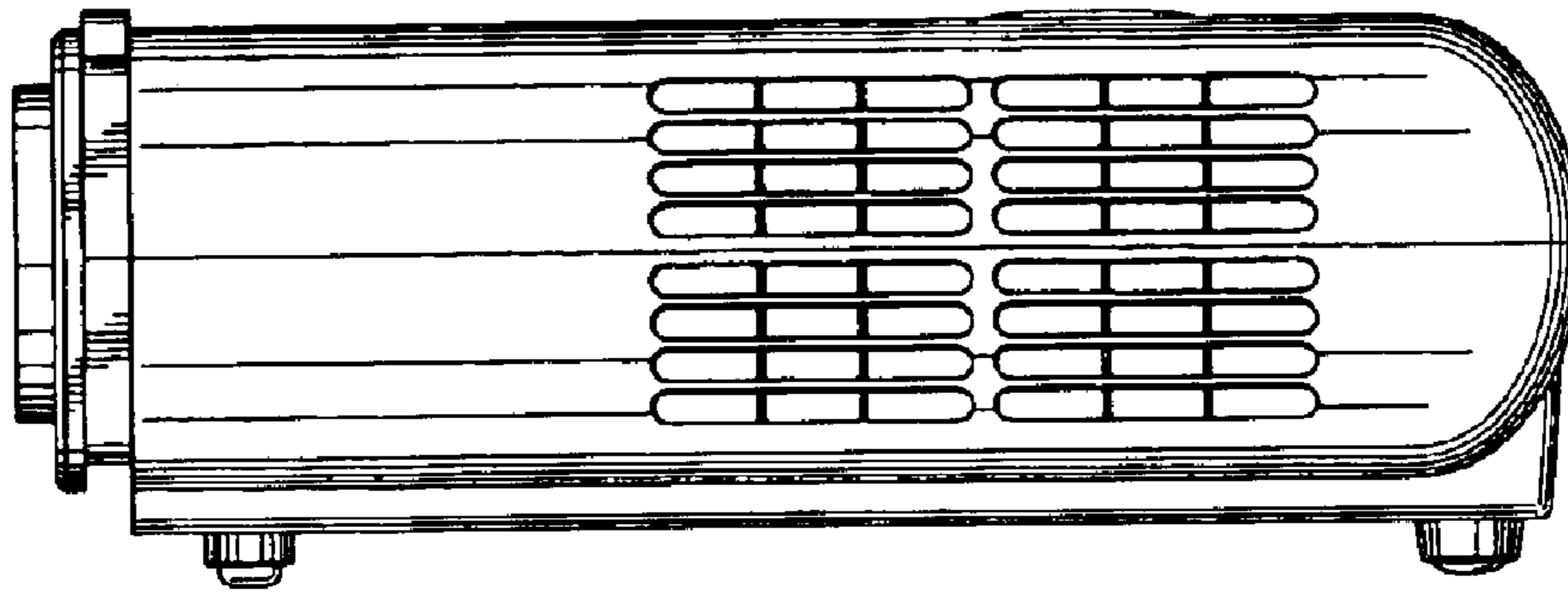


FIG. 7

