



US00D513514S

(12) **United States Design Patent**  
**Olsen et al.**

(10) **Patent No.:** **US D513,514 S**  
(45) **Date of Patent:** **\*\* Jan. 10, 2006**

(54) **GRINDING TOOL**

(75) Inventors: **Lars Olsen, Kalmar (SE); Karl Thysell, Soderkoping (SE)**

(73) Assignee: **HTC Sweden AB (SE)**

(\*\*) Term: **14 Years**

(21) Appl. No.: **29/209,504**

(22) Filed: **Jul. 16, 2004**

(30) **Foreign Application Priority Data**

Jun. 30, 2004 (EM) ..... 000197694

(51) **LOC (8) Cl.** ..... **15-09**

(52) **U.S. Cl.** ..... **D15/139**

(58) **Field of Classification Search** ..... D15/138-139;  
144/24.1, 218, 219, 235, 241; 409/33, 37,  
409/49; 451/540-558

See application file for complete search history.

(56) **References Cited**

**U.S. PATENT DOCUMENTS**

- 669,915 A \* 3/1901 Osterheld ..... 38/102.2
- 5,819,827 A \* 10/1998 Leonardi ..... 144/241
- 5,971,840 A \* 10/1999 Young ..... 451/523
- 6,138,725 A \* 10/2000 Leonardi et al. .... 144/235
- 6,662,837 B2 \* 12/2003 Smith ..... 144/241
- D486,839 S 2/2004 Sunagawa et al.

- D494,196 S 8/2004 Jeong
- 6,790,132 B1 \* 9/2004 Slaughter, Jr. .... 451/57
- D498,486 S 11/2004 Eisenblaetter

\* cited by examiner

*Primary Examiner*—Antoine D. Davis

(74) *Attorney, Agent, or Firm*—Michael G. Johnston;  
Moore & Van Allen PLLC

(57) **CLAIM**

The ornamental design for a grinding tool, as shown and described.

**DESCRIPTION**

FIG. 1 is a perspective view of a grinding tool showing our new design.

FIG. 2 is a top plan view of the grinding tool shown in FIG. 1 showing our new design.

FIG. 3 is a bottom plan view of the grinding tool shown in FIG. 1 showing our new design.

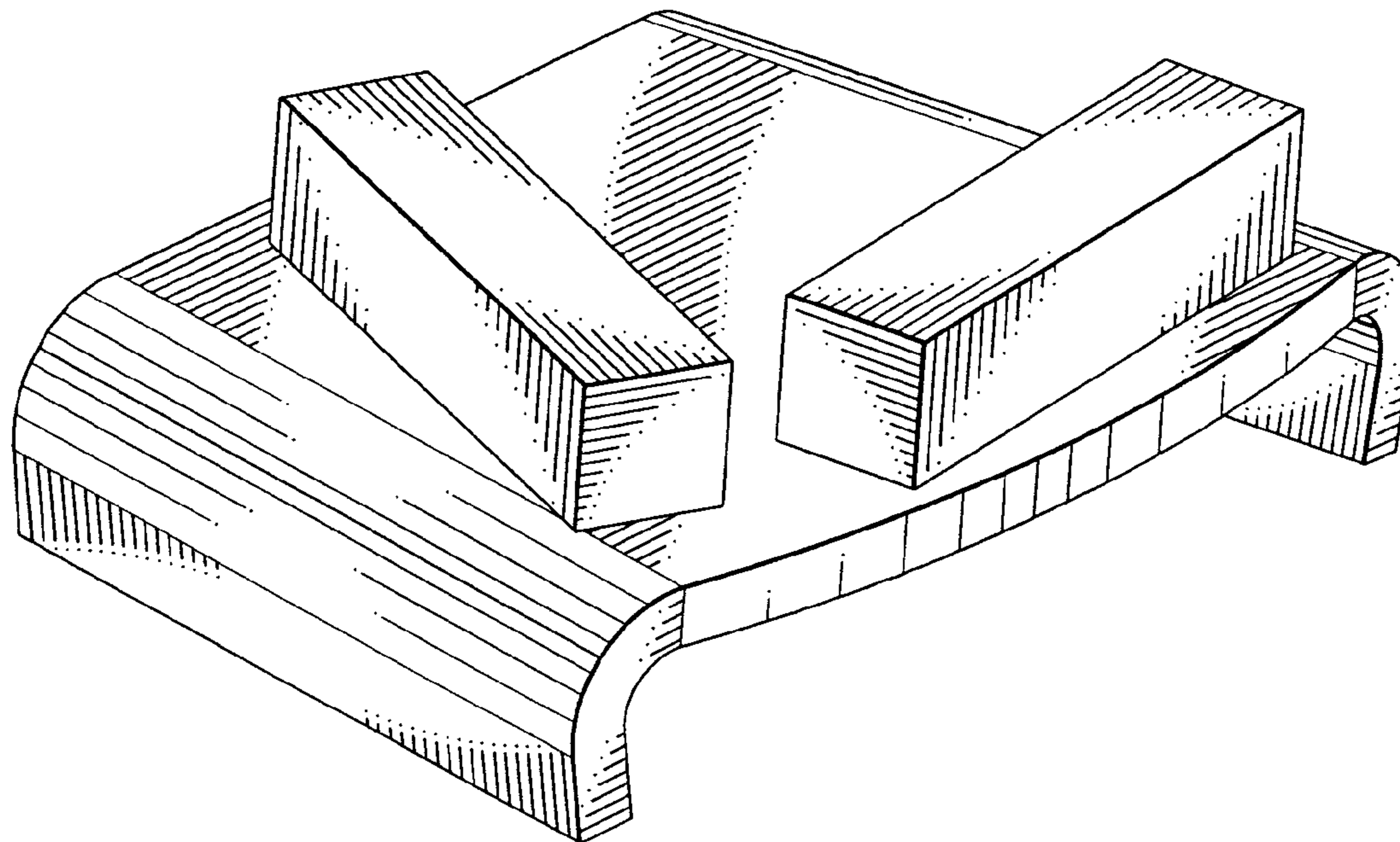
FIG. 4 is a front elevation view of the grinding tool shown in FIG. 1 showing our new design.

FIG. 5 is a rear elevation view of the grinding tool shown in FIG. 1 showing our new design.

FIG. 6 is a right side view of the grinding tool shown in FIG. 1 showing our new design; and,

FIG. 7 is a left side view of the grinding tool shown in FIG. 1 showing our new design.

**1 Claim, 4 Drawing Sheets**



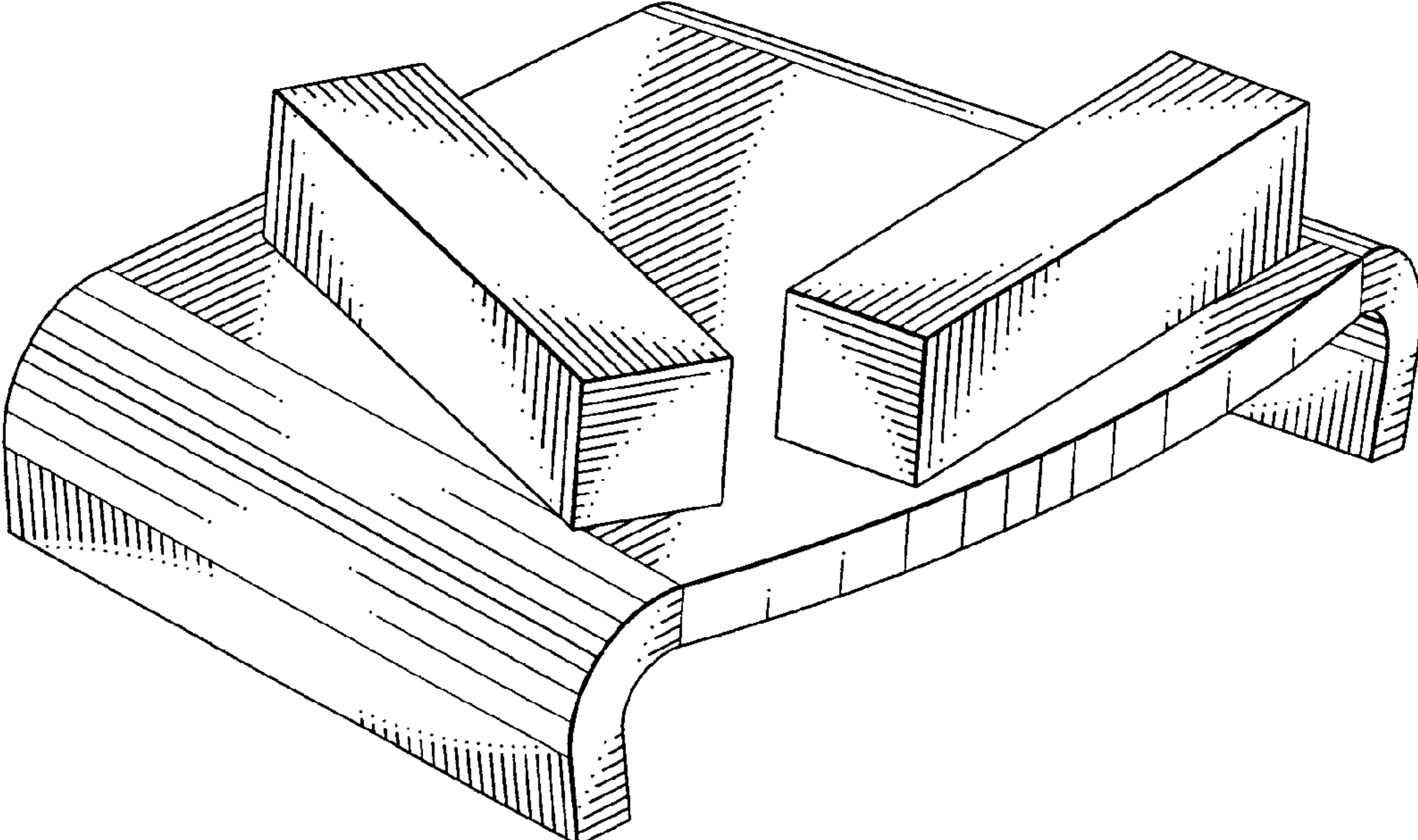


FIG. 1

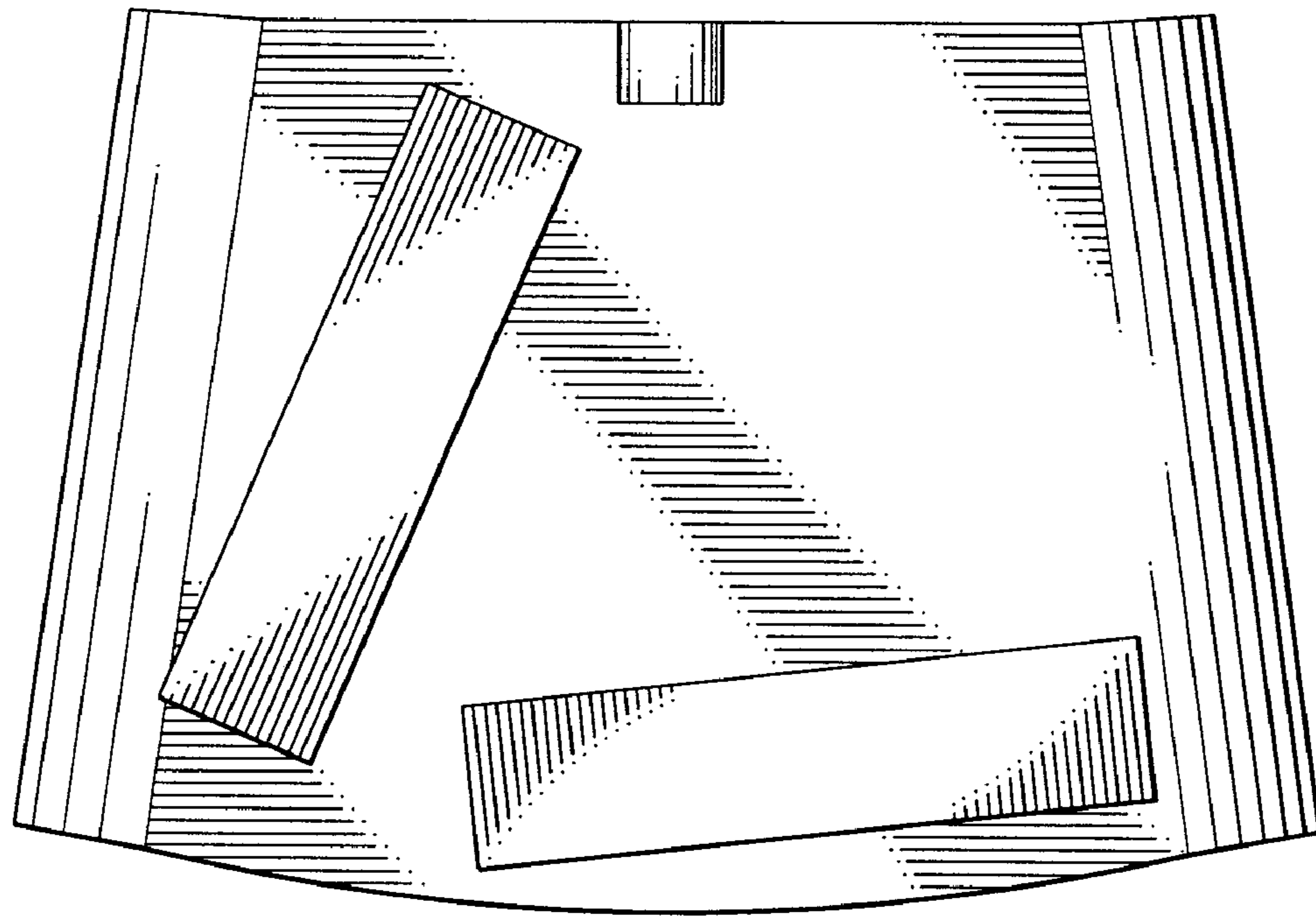


FIG. 2

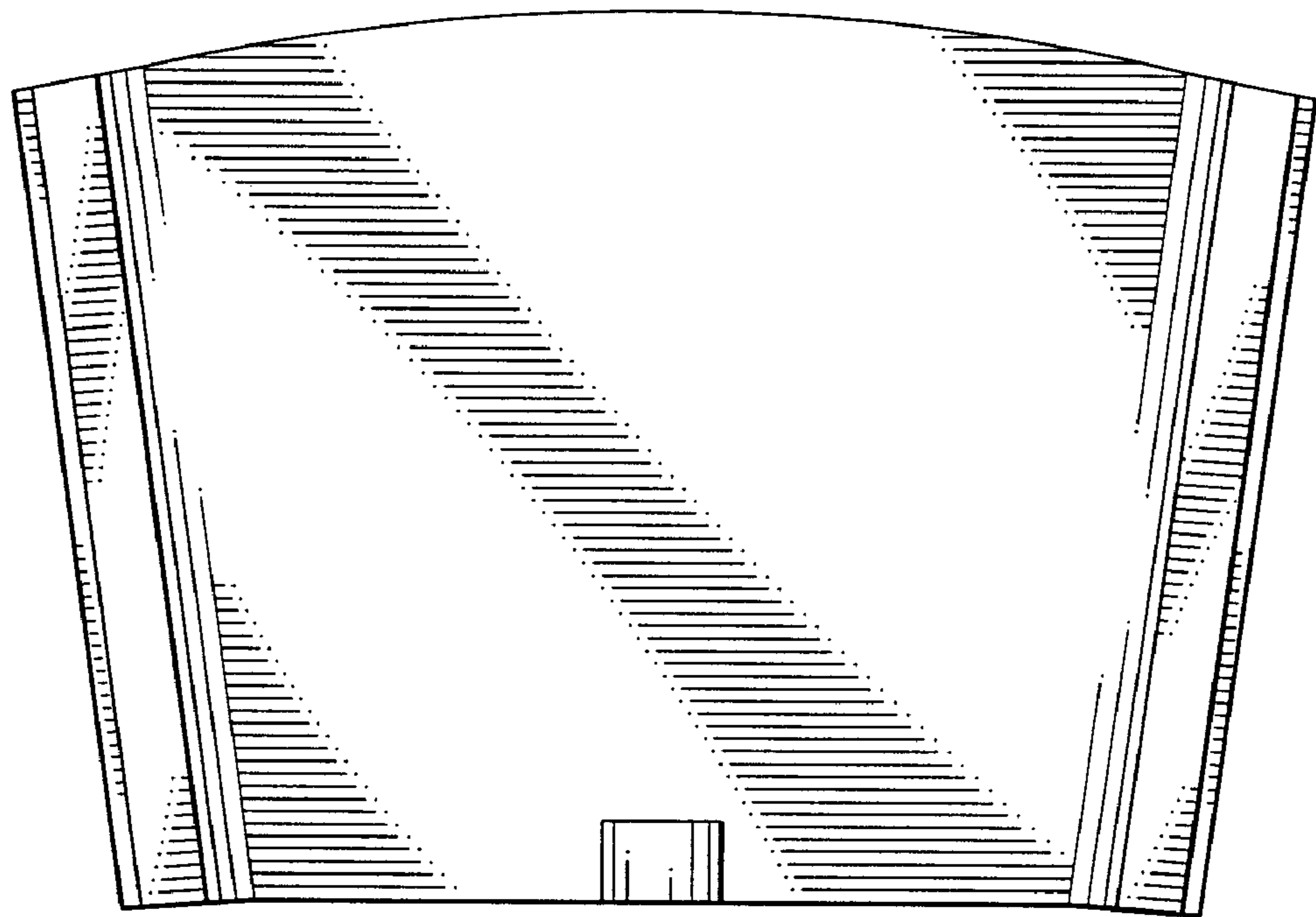


FIG. 3

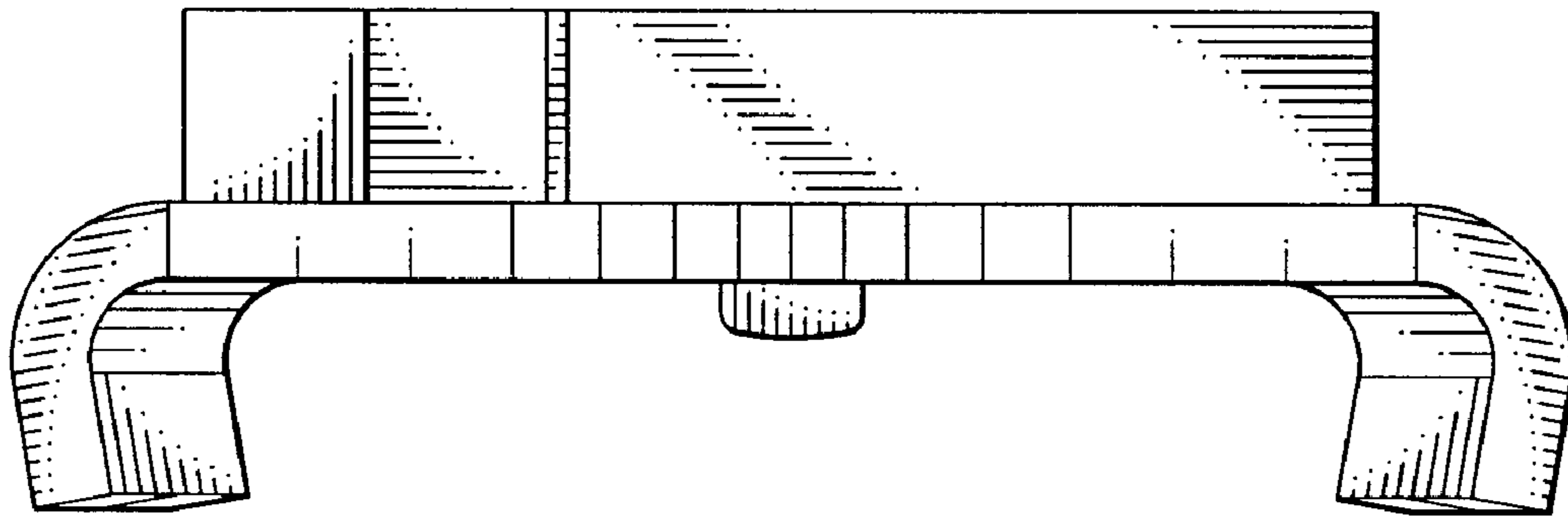


FIG. 4

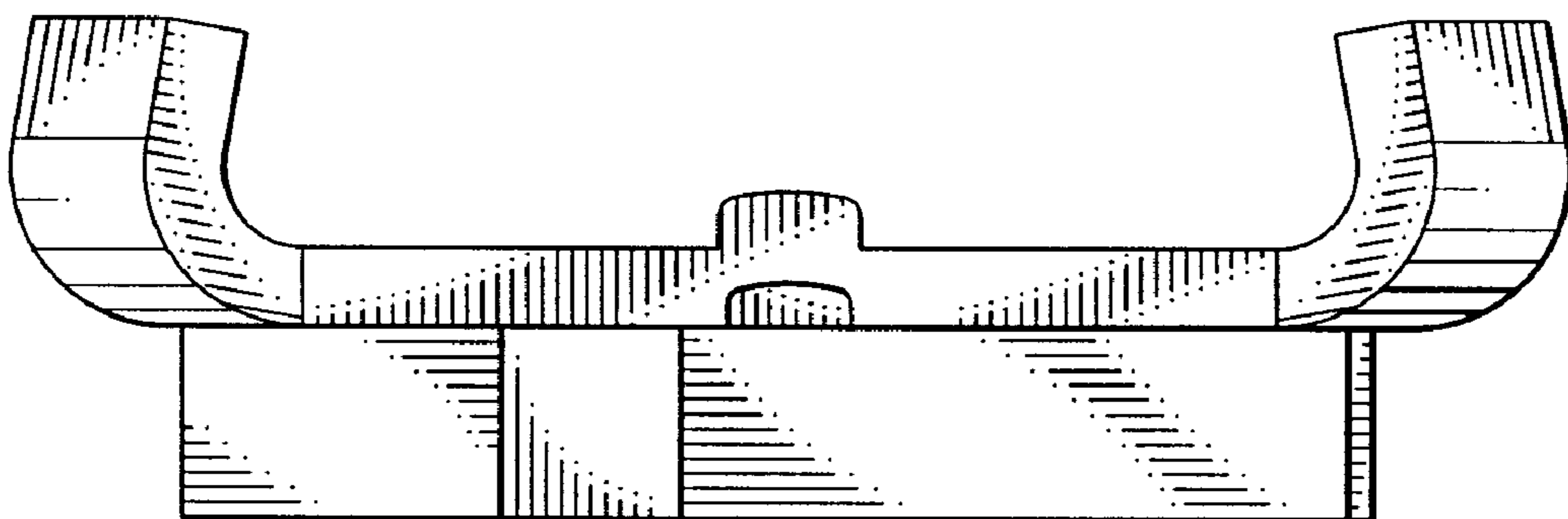


FIG. 5

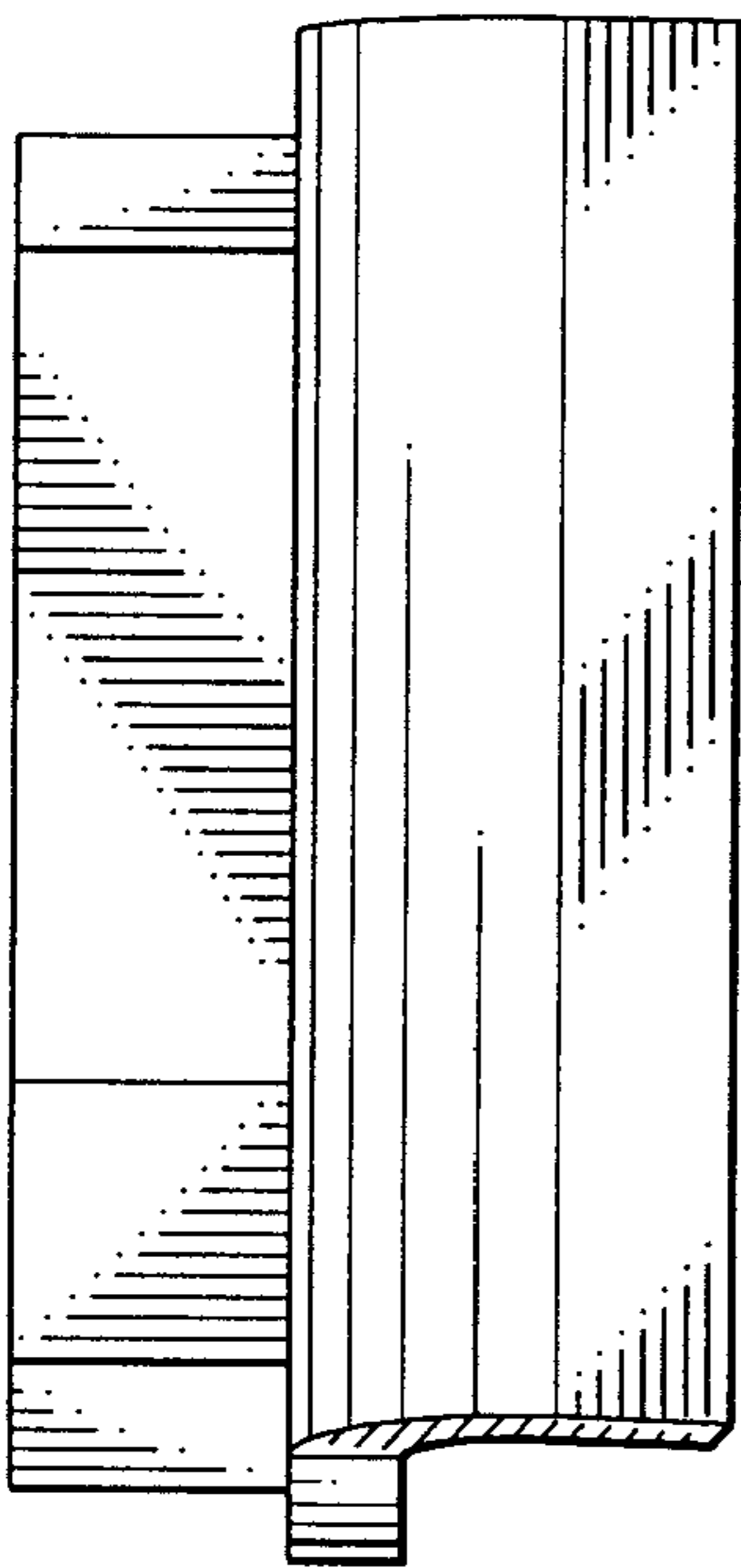


FIG. 6

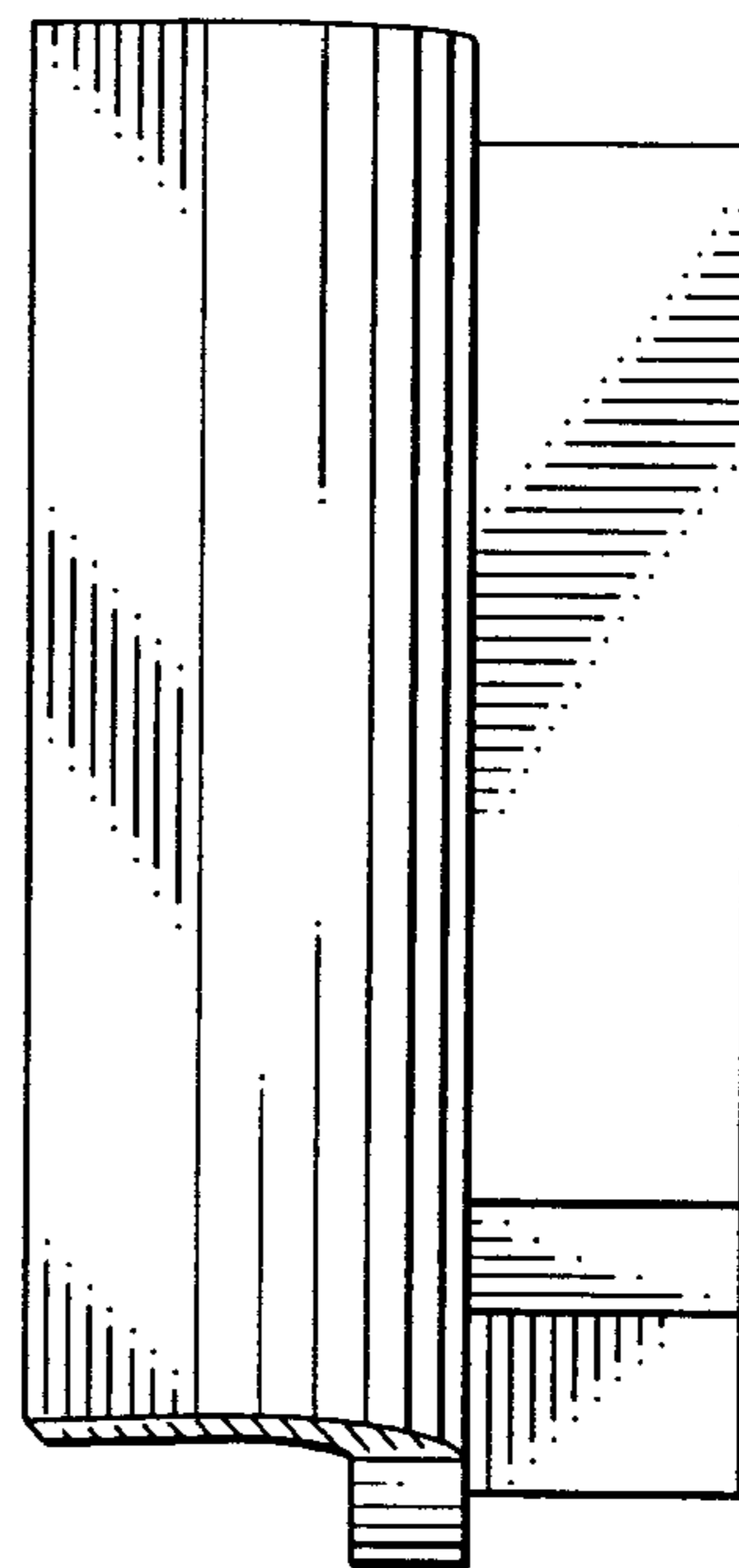


FIG. 7