



US00D513509S

(12) **United States Design Patent**  
**Kawa**

(10) **Patent No.:** **US D513,509 S**  
(45) **Date of Patent:** **\*\* Jan. 10, 2006**

- (54) **PERSONAL COMPUTER**
- (75) Inventor: **Mitsuo Kawa, Nara-ken (JP)**
- (73) Assignee: **Sharp Kabushiki Kaisha, Osaka (JP)**
- (\*\*) Term: **14 Years**
- (21) Appl. No.: **29/211,056**
- (22) Filed: **Aug. 11, 2004**
- (30) **Foreign Application Priority Data**

D415,466 S	10/1999	Kawa	
D419,535 S	1/2000	Tanimura	
D421,972 S	3/2000	Makidera et al.	
D425,874 S	5/2000	Tanimura	
6,067,224 A *	5/2000	Nobuchi	361/683
D426,835 S	6/2000	Tanimura	
D444,462 S	7/2001	Tsuji	
D476,326 S *	6/2003	Tanimura	D14/318
D483,355 S	12/2003	Kawa	
D488,808 S *	4/2004	Kamegi	D14/318
D488,809 S *	4/2004	Kamegi	D14/318
D492,677 S	7/2004	Shimizu	

- Feb. 13, 2004 (JP) ..... 2004-003671
- (51) **LOC (8) Cl.** ..... **14-02**
- (52) **U.S. Cl.** ..... **D14/318**
- (58) **Field of Classification Search** ..... D14/315-327;  
D18/1, 2, 7, 11; 235/145 A, 145 R; 341/22,  
341/33; 400/486, 489; 345/104, 156, 168,  
345/169, 173; 361/680-686, 690-696  
See application file for complete search history.

\* cited by examiner

*Primary Examiner*—Freda S. Nunn  
(74) *Attorney, Agent, or Firm*—Nixon & Vanderhye

(57) **CLAIM**

The ornamental design for a “personal computer,” as shown and described.

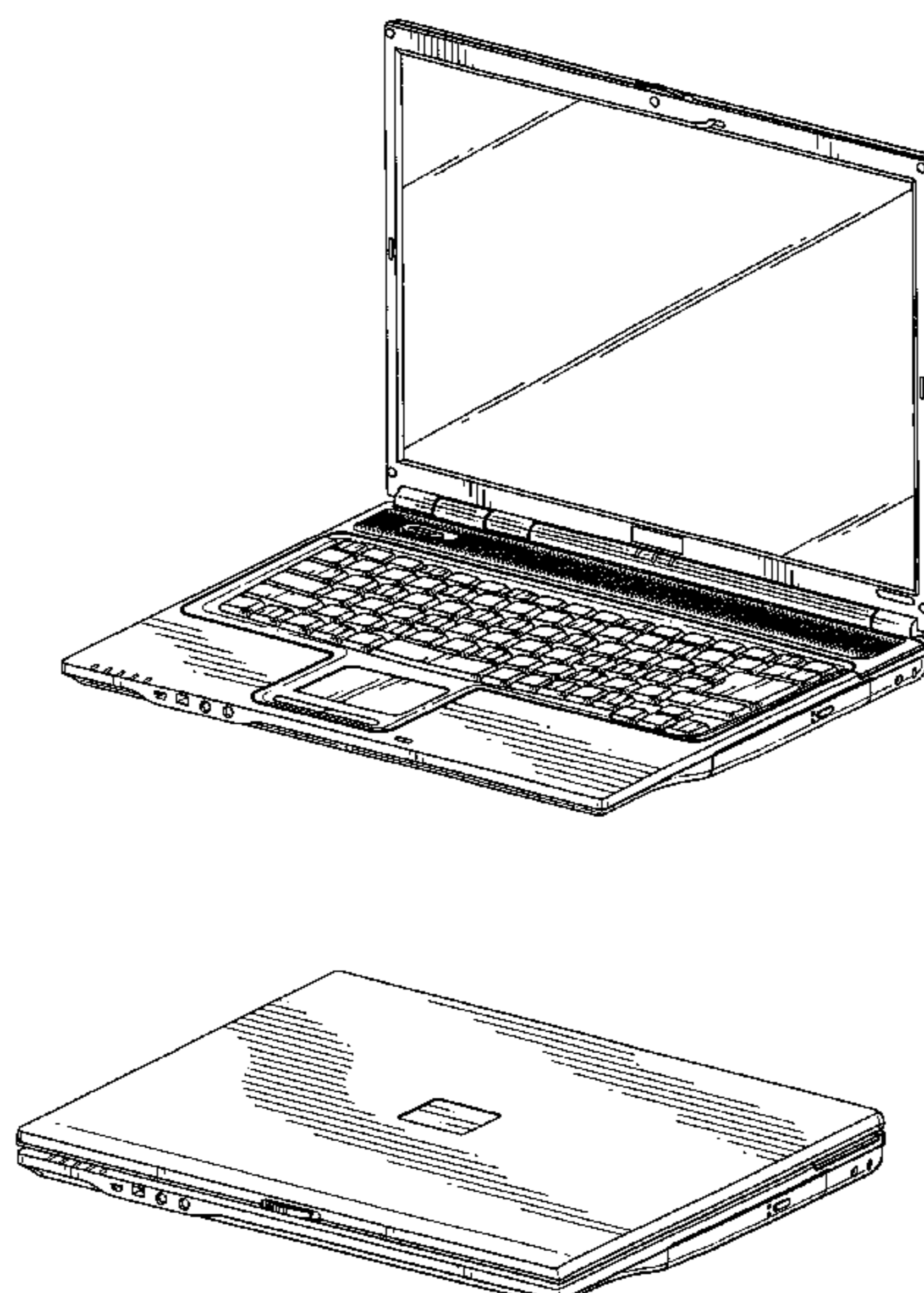
**DESCRIPTION**

FIG. 1 is a top, front and right side perspective view of a personal computer according to my design;  
 FIG. 2 is a front elevational view thereof;  
 FIG. 3 is a rear elevational view thereof;  
 FIG. 4 is a top plan view thereof;  
 FIG. 5 is a bottom plan view thereof;  
 FIG. 6 is a right side elevational view thereof;  
 FIG. 7 is a left side elevational view thereof;  
 FIG. 8 is a top, front and right side perspective view of the personal computer in a closed configuration;  
 FIG. 9 is a front elevational view thereof;  
 FIG. 10 is a rear elevational view thereof;  
 FIG. 11 is a top plan view thereof;  
 FIG. 12 is a bottom plan view thereof;  
 FIG. 13 is a right side elevational view thereof; and,  
 FIG. 14 is a left side elevational view thereof.

(56) **References Cited**  
**U.S. PATENT DOCUMENTS**

D330,016 S	10/1992	Mizusugi et al.
D334,182 S	3/1993	Mizusugi et al.
D335,124 S	4/1993	Mizusugi et al.
D338,880 S	8/1993	Mizusugi et al.
D339,114 S	9/1993	Mizusugi et al.
D340,920 S	11/1993	Okuda et al.
D340,921 S	11/1993	Mizusugi et al.
D343,167 S	1/1994	Mizusugi et al.
D344,496 S	2/1994	Mizusugi et al.
D357,674 S	4/1995	Mizusugi
D384,043 S	9/1997	Tamaki
D385,856 S	11/1997	Kawa
D398,904 S	9/1998	Tamaki et al.
D405,434 S	2/1999	Mizuno
D411,181 S	6/1999	Tamaki et al.
D413,107 S	8/1999	Kawa et al.

**1 Claim, 10 Drawing Sheets**



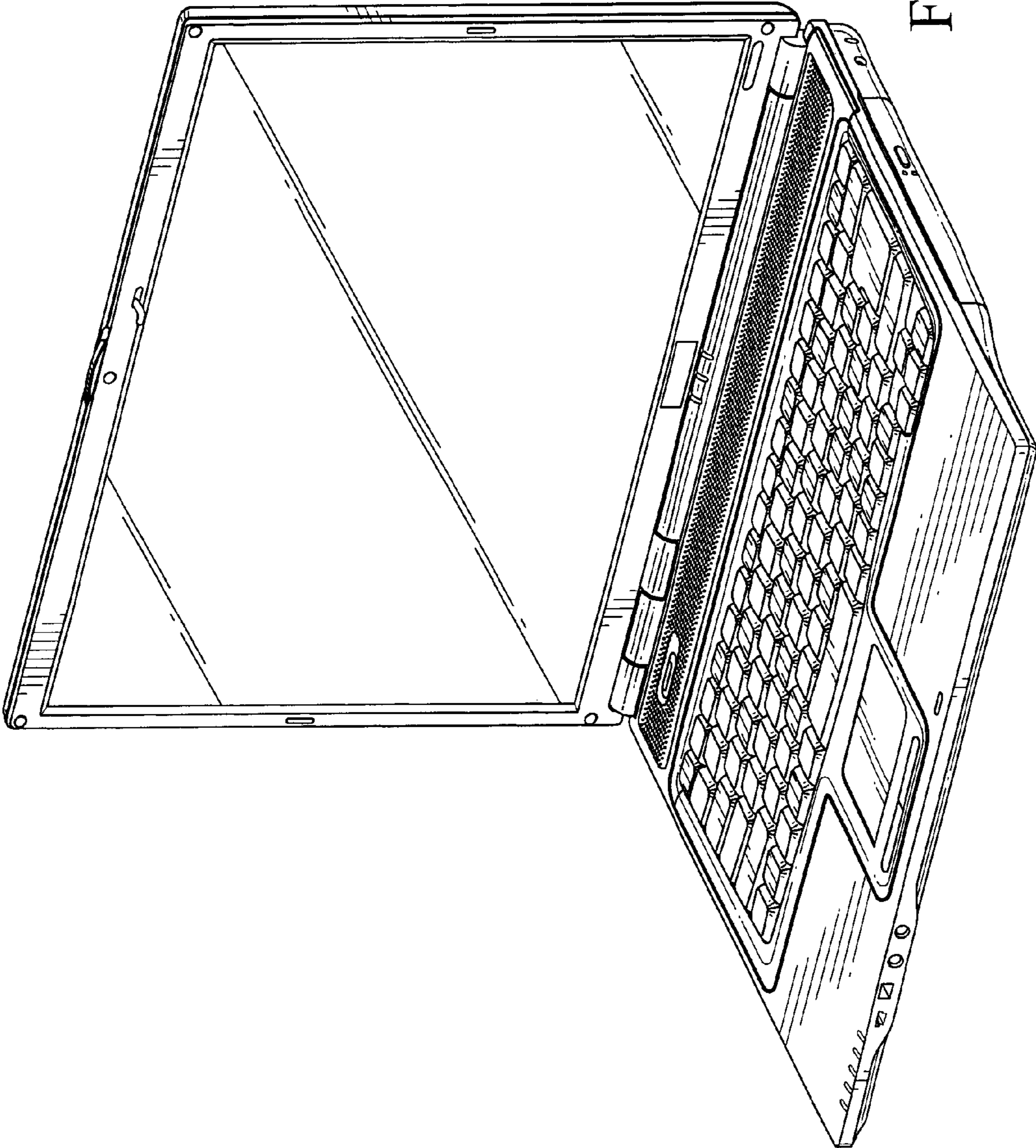


Fig. 1

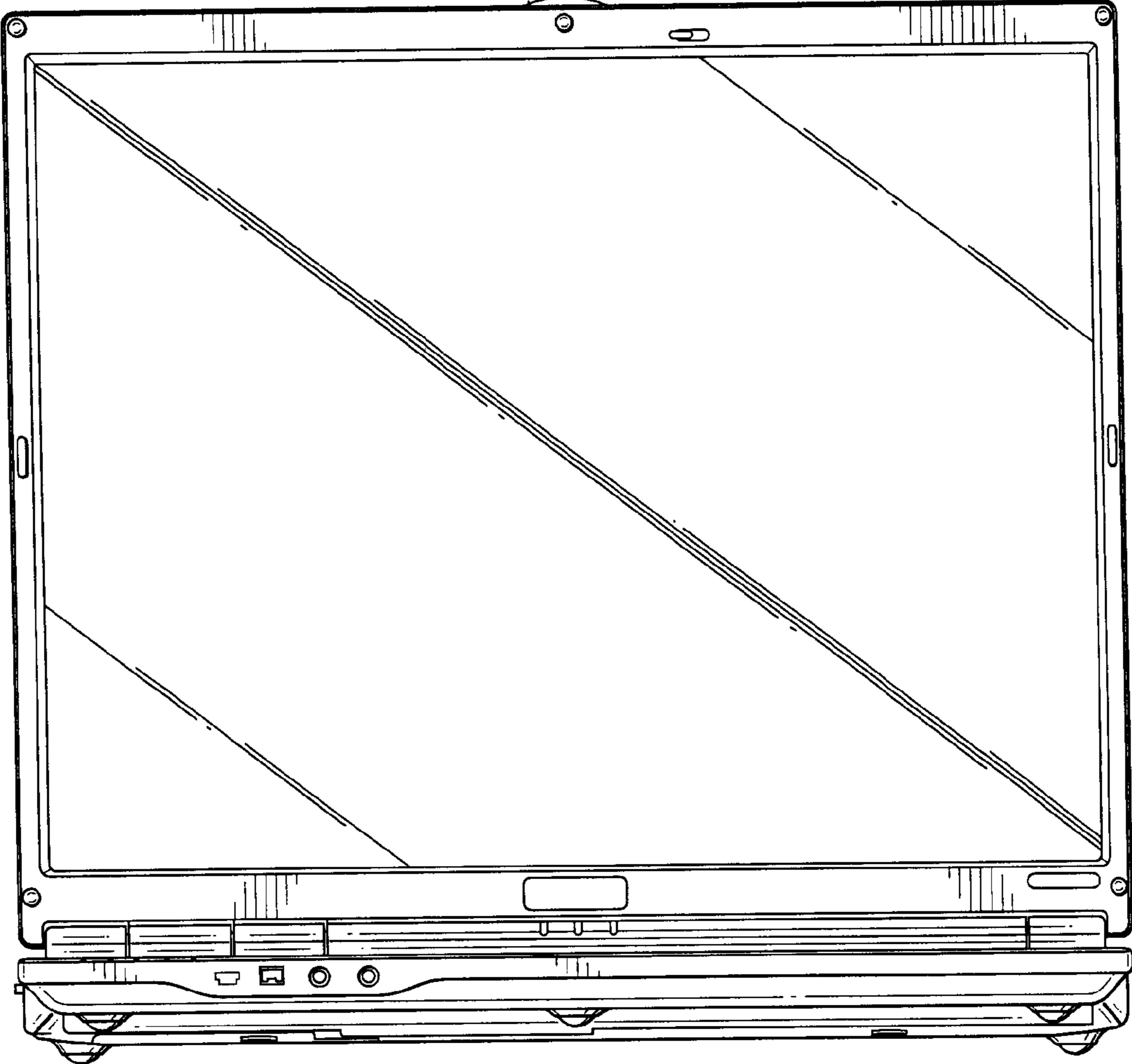


Fig. 2

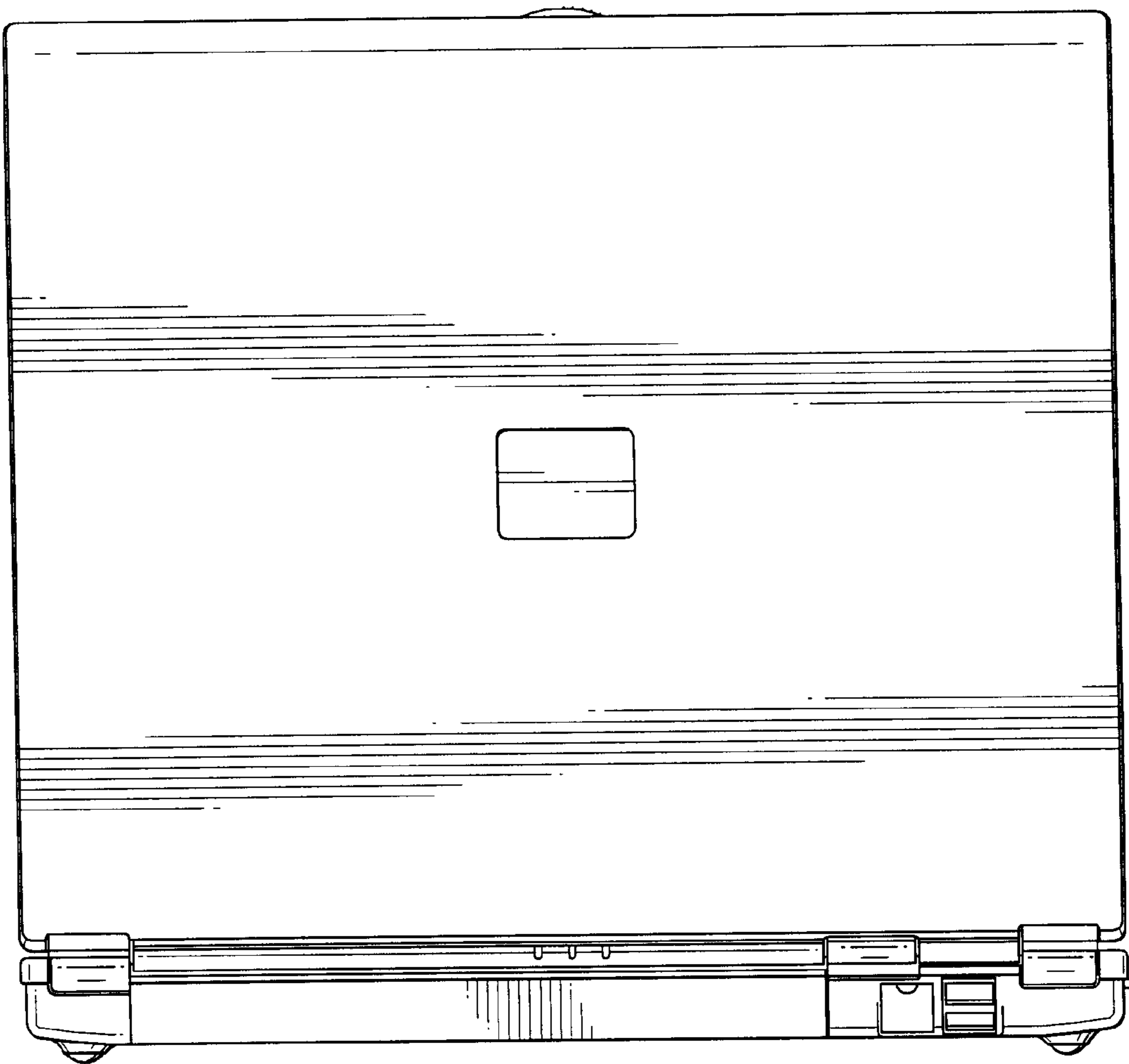


Fig. 3

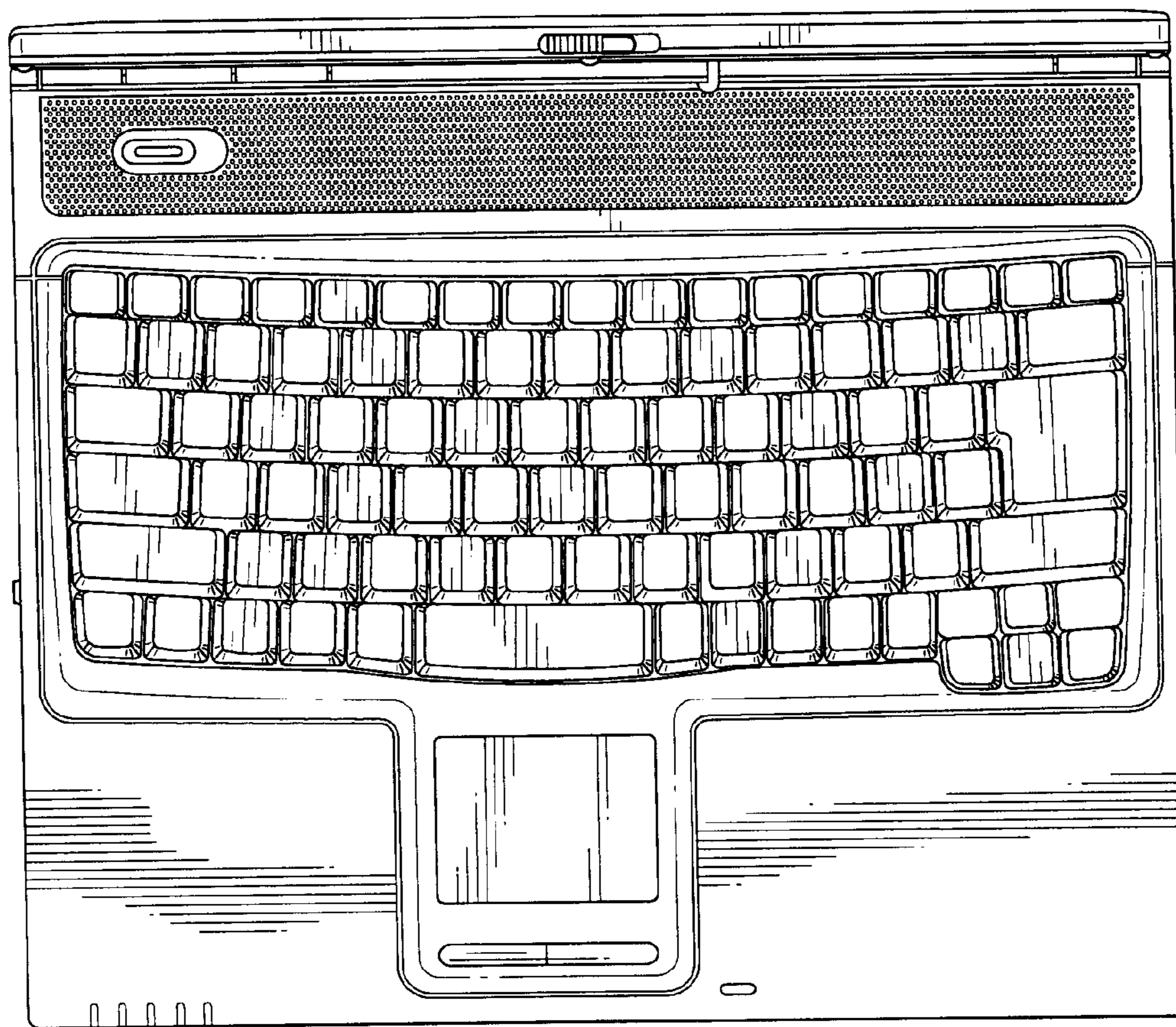


Fig. 4

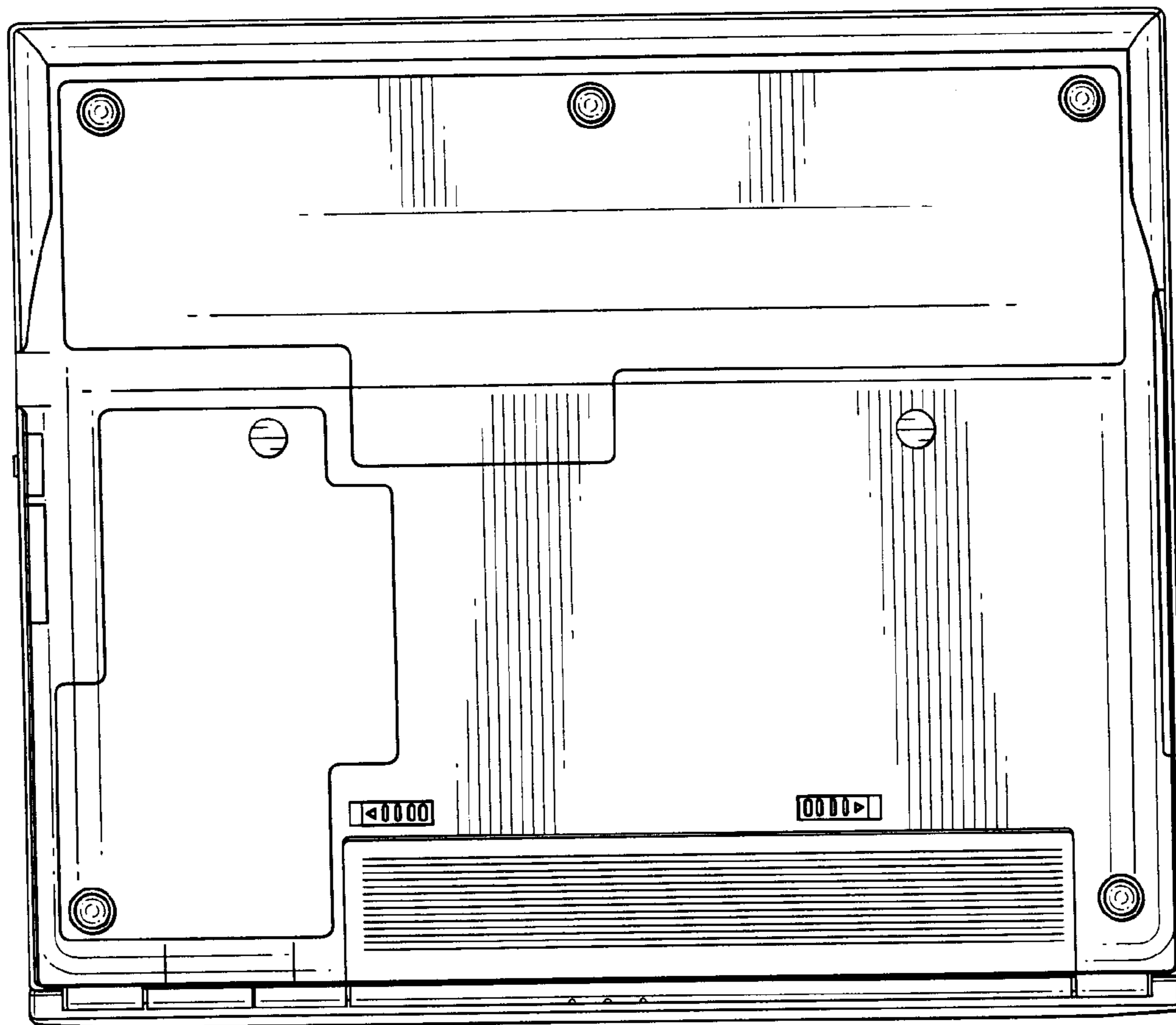


Fig. 5

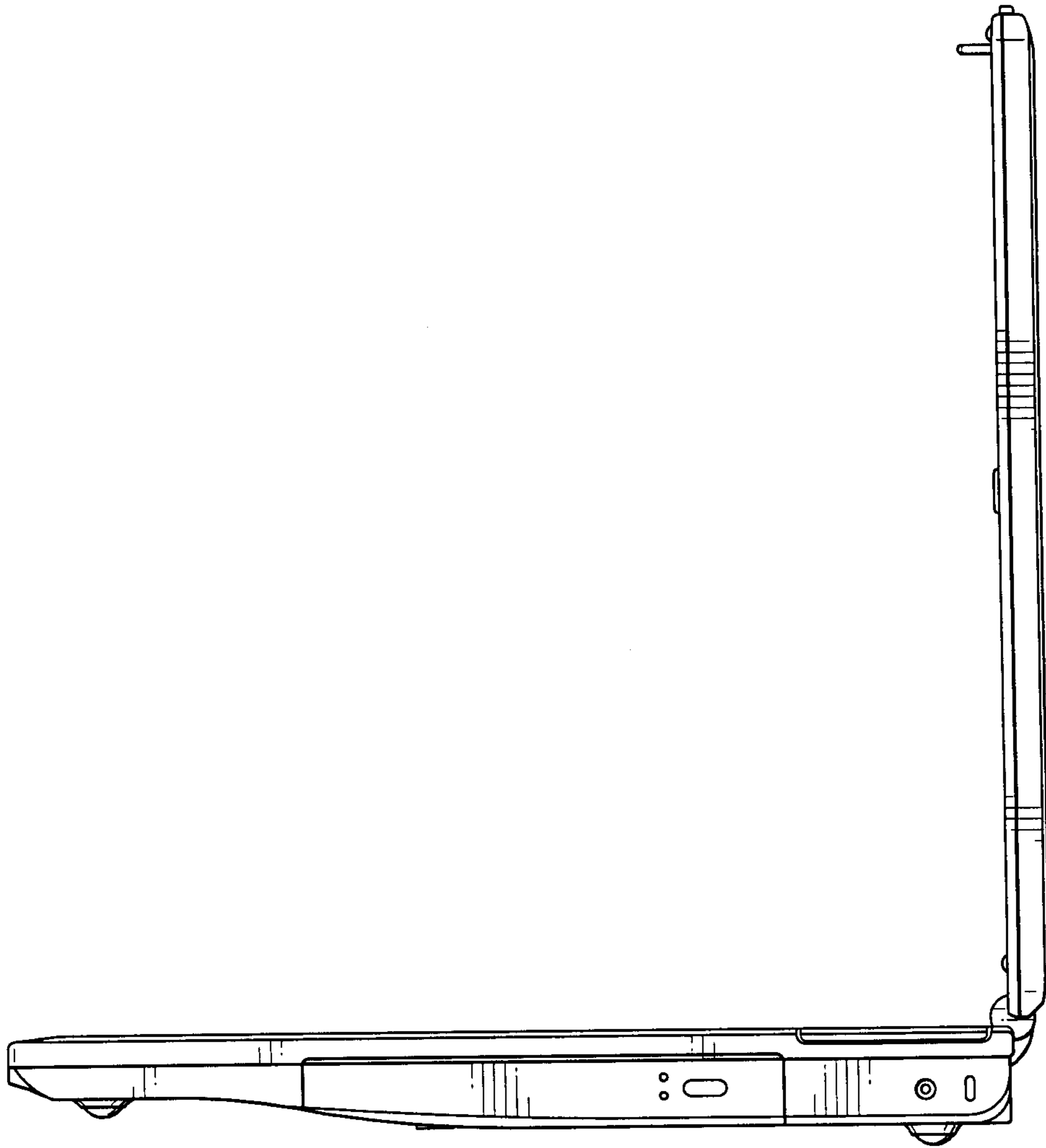


Fig. 6

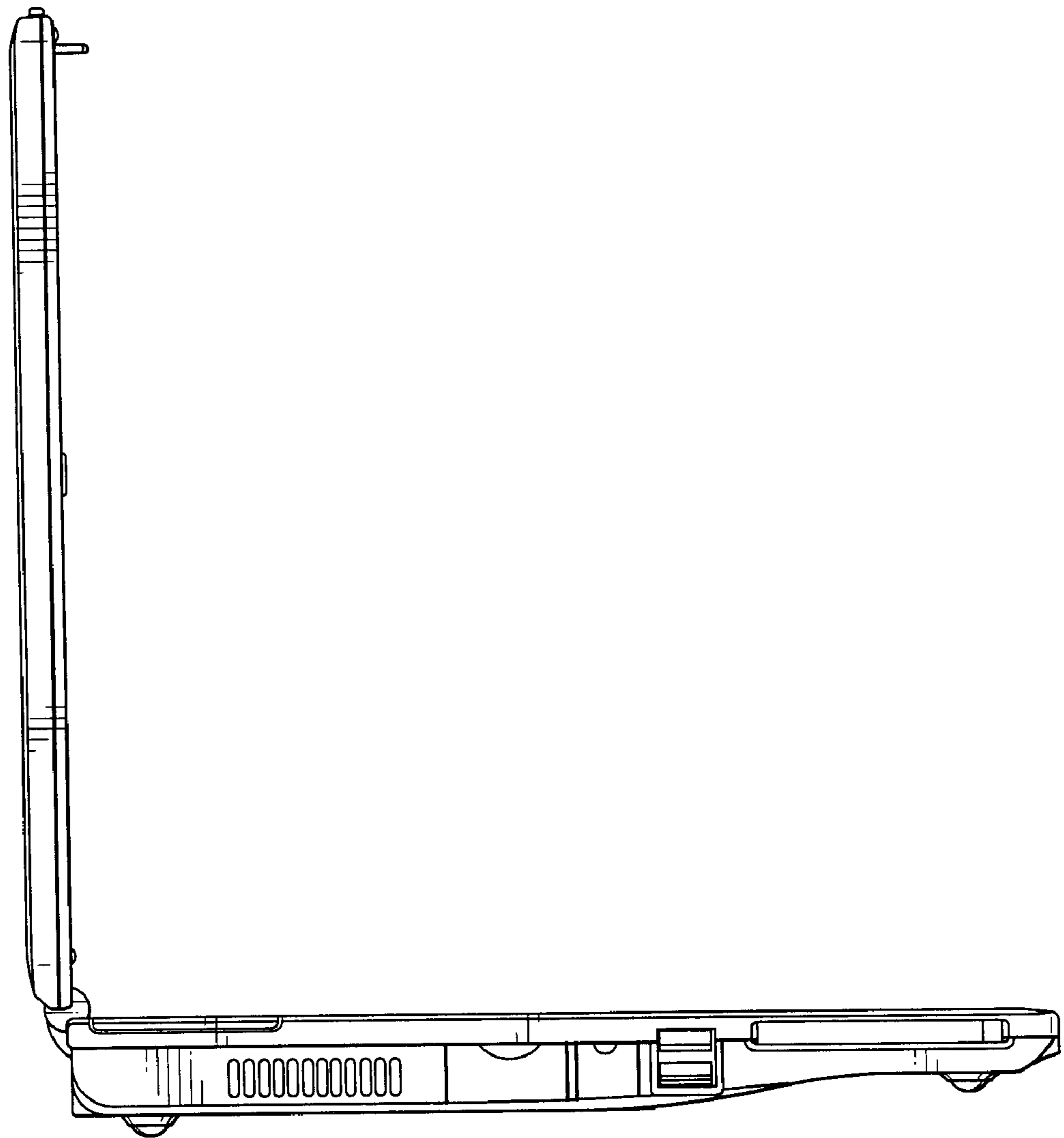


Fig. 7



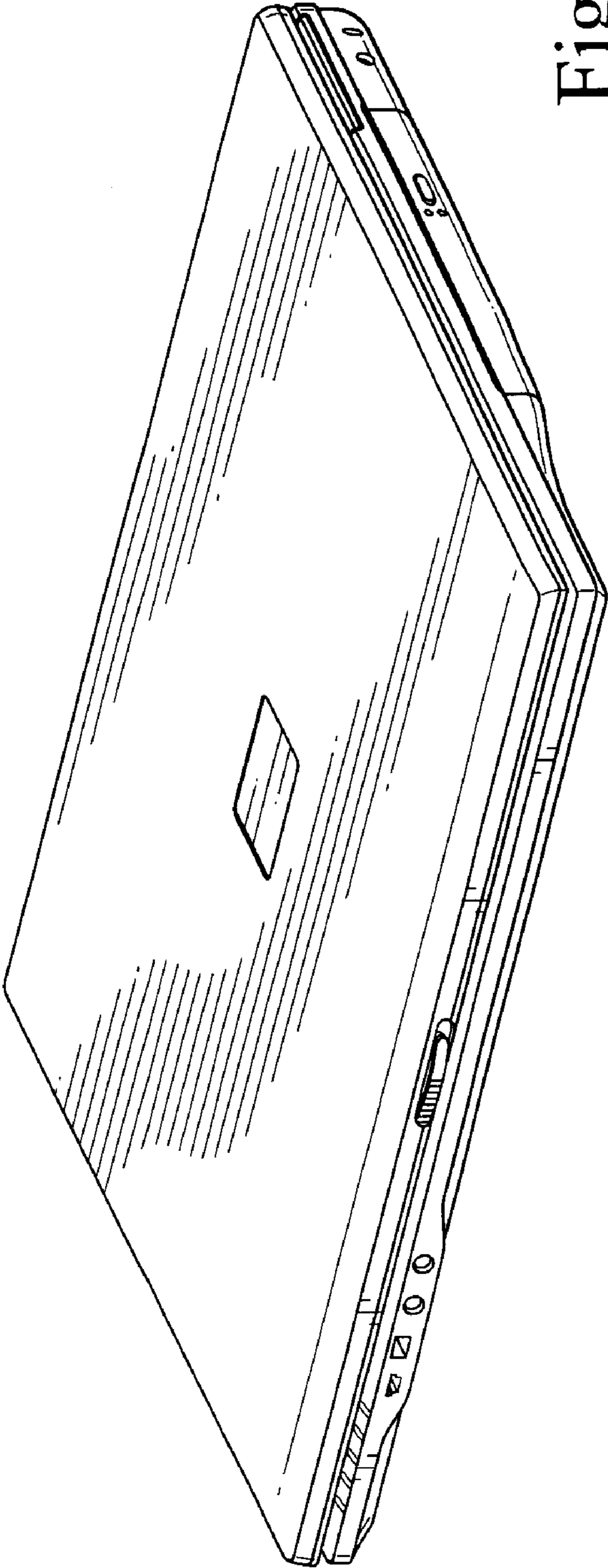


Fig. 8

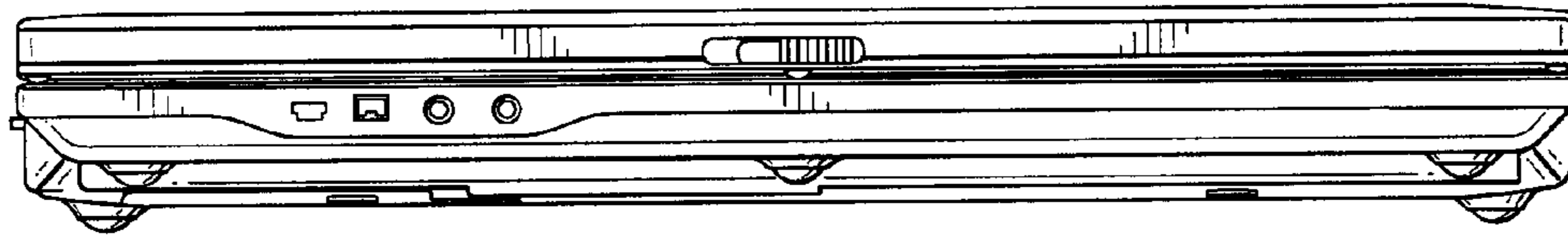


Fig. 9

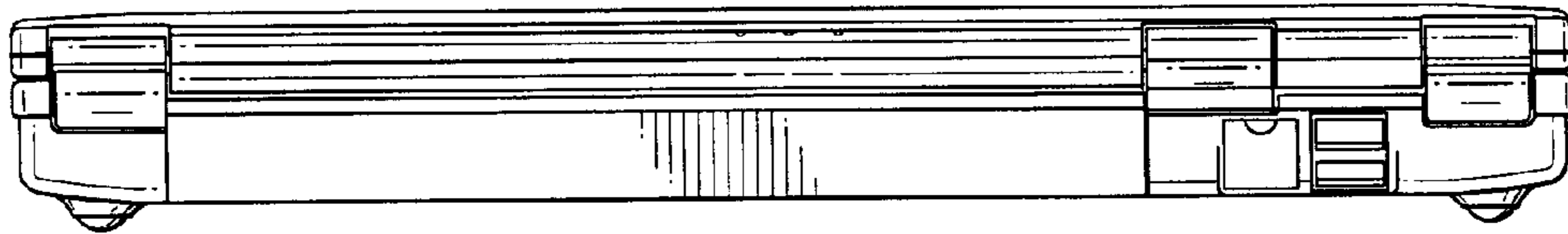


Fig. 10

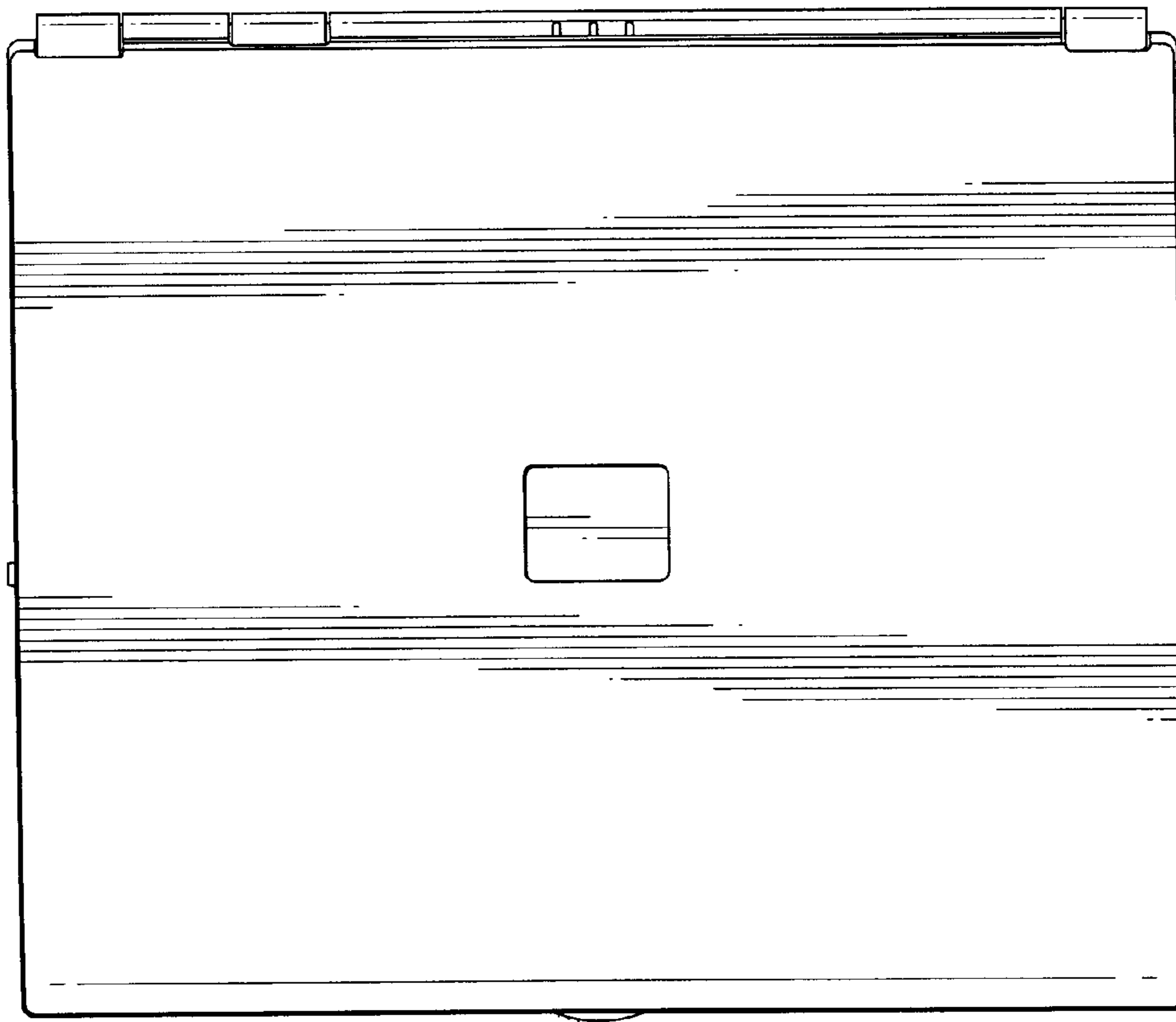


Fig. 11

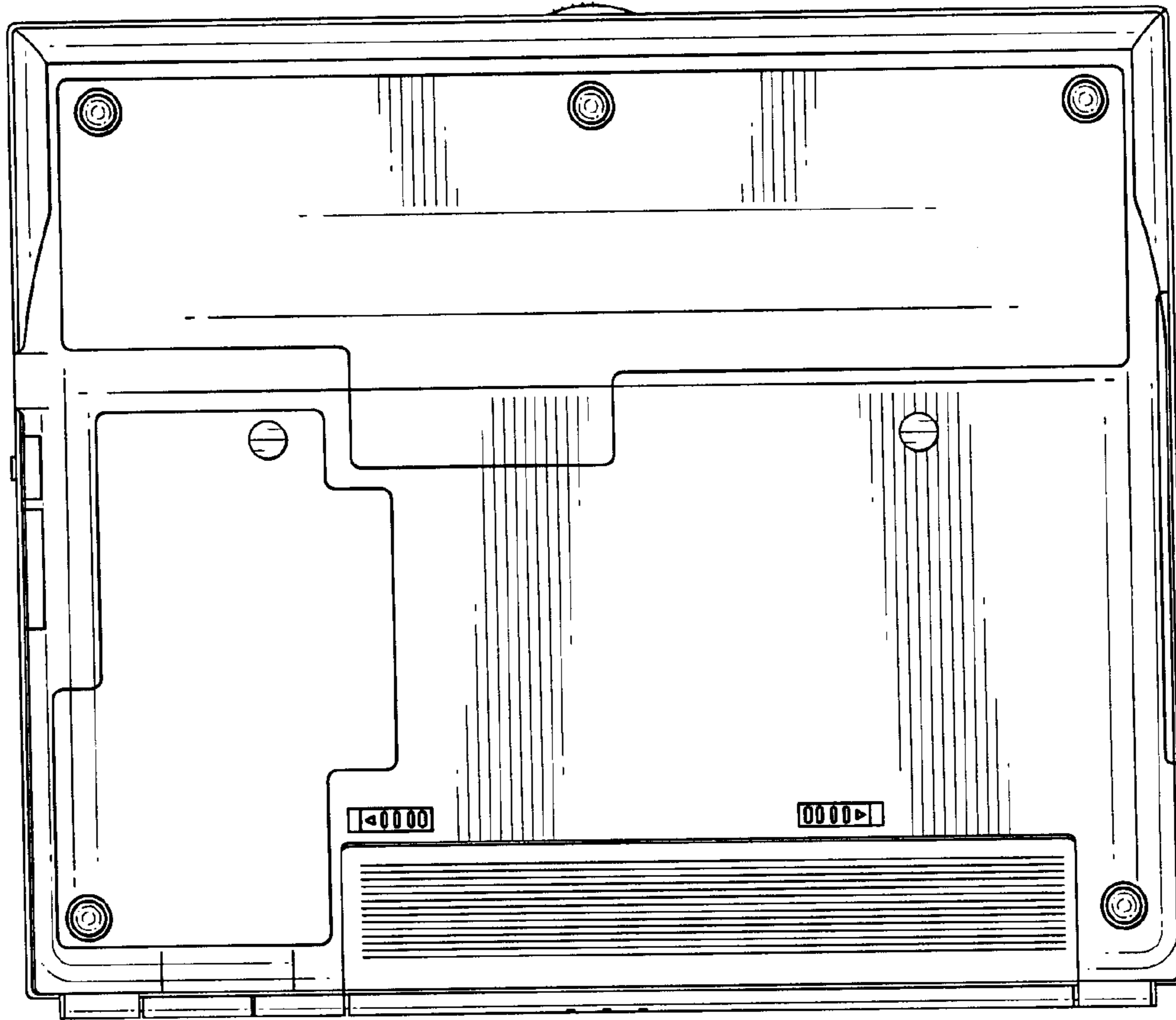


Fig. 12

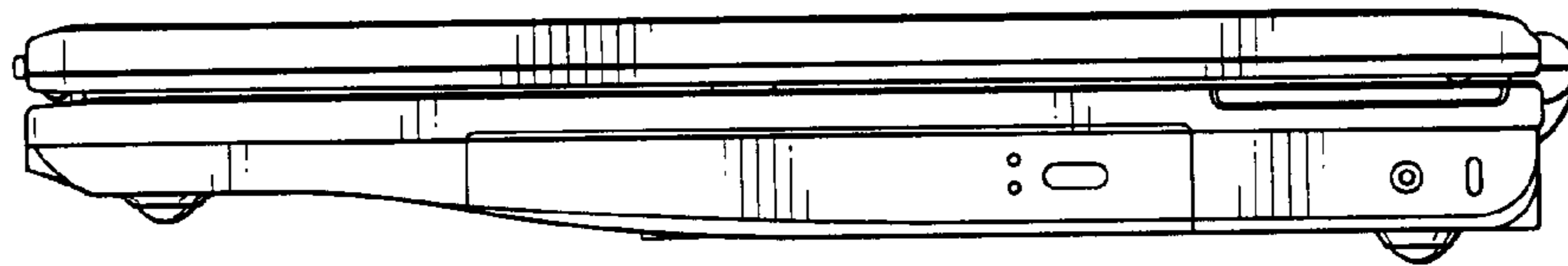


Fig. 13

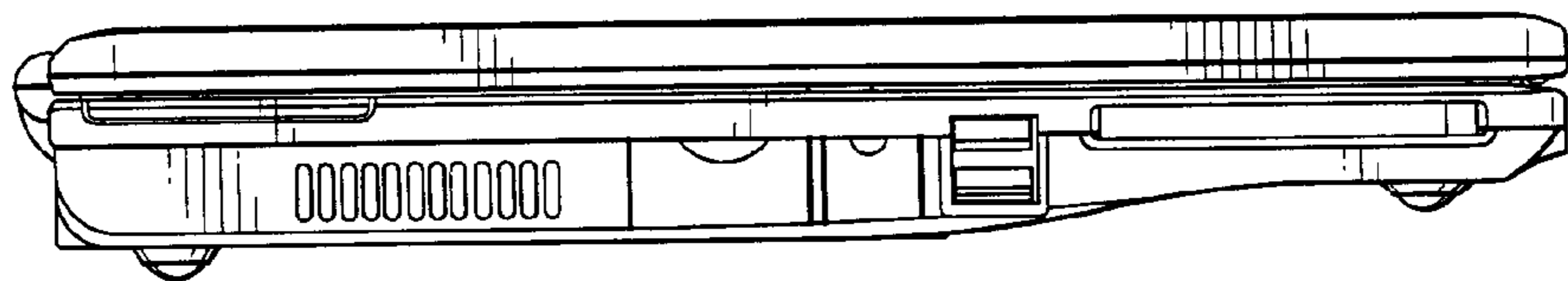


Fig. 14