

US00D513508S

(12) **United States Design Patent** (10) **Patent No.:** **US D513,508 S**  
**Quilling, II** (45) **Date of Patent:** **\*\* Jan. 10, 2006**

(54) **ISO/DIN AUTO STEREO MOUNTING DEVICE WITH POCKET**

(75) Inventor: **R. Spencer Quilling, II**, Deland, FL (US)

(73) Assignee: **Metra Electronics Corporation**, Holly Hill, FL (US)

(\*\*) Term: **14 Years**

(21) Appl. No.: **29/208,963**

(22) Filed: **Jul. 9, 2004**

(51) **LOC (8) Cl.** ..... **14-01**

(52) **U.S. Cl.** ..... **D14/258; D12/415**

(58) **Field of Classification Search** ..... D14/445, D14/260.1, 258, 257, 224, 217, 198, 197, D14/196, 195, 194, 193, 192, 188, 168, 167, D14/156, 136, 191, 157; D12/415, 420; 455/344, 455/350, 347; 248/27.3, 27.1, 558

See application file for complete search history.

(56) **References Cited**

**U.S. PATENT DOCUMENTS**

D304,194 S	*	10/1989	Fuller et al.	.....	D14/257
D310,370 S	*	9/1990	Repasky et al.	.....	D14/258
D311,404 S	*	10/1990	Repasky	.....	D14/258
5,106,039 A		4/1992	Gross	.....	248/27.1
5,467,947 A		11/1995	Quilling, II	.....	248/27.1
5,477,432 A	*	12/1995	Magic et al.	.....	362/26
D379,459 S	*	5/1997	Biasotti et al.	.....	D14/191
D401,591 S		11/1998	Jones, Jr.	.....	D14/224
5,862,468 A	*	1/1999	Kim	.....	455/321

(Continued)

**OTHER PUBLICATIONS**

Face Plate No: 99-4000 <http://www.tune-town.com/yho/lg99-4000.gif> Jan. 18, 2004\*

Metra 2001 Autosound Installation Products Catalog, pp. cover, 1-62, published May 2001.

Metra 2002 Autosound Installation Products Catalog, cover, pp. 6-64, published Oct. 2002.

U.S. Appl. No. 29/208,962, filed Jul. 9, 2004, Quilling.

U.S. Appl. No. 29/208,961, filed Jul. 9, 2004, Quilling.

U.S. Appl. No. 29/208,952, filed Jul. 9, 2004, Quilling.

U.S. Appl. No. 29/208,951, filed Jul. 9, 2004, Quilling.

U.S. Appl. No. 29/201,506, filed Mar. 17, 2004, Quilling.

U.S. Appl. No. 29/201,505, filed Mar. 17, 2004, Quilling.

U.S. Appl. No. 29/201,504, filed Mar. 17, 2004, Quilling.

U.S. Appl. No. 29/201,507, filed Mar. 17, 2004, Quilling.

U.S. Appl. No. 29/188,825, filed Aug. 26, 2003, Quilling.

U.S. Appl. No. 29/188,820, filed Aug. 26, 2003, Quilling.

U.S. Appl. No. 29/188,823, filed Aug. 26, 2003, Quilling.

*Primary Examiner*—Cathron C. Brooks

*Assistant Examiner*—Austin Murphy

(74) *Attorney, Agent, or Firm*—Fitzpatrick, Cella, Harper & Scinto

(57) **CLAIM**

I claim the ornamental design for an ISO/DIN auto stereo mounting device with pocket, as shown and described.

**DESCRIPTION**

FIG. 1 is a right front perspective view of an ISO/DIN auto stereo mounting device with pocket, showing my design;

FIG. 2 is a front elevation view thereof;

FIG. 3 is a rear elevation view thereof;

FIG. 4 is a right side elevation view thereof;

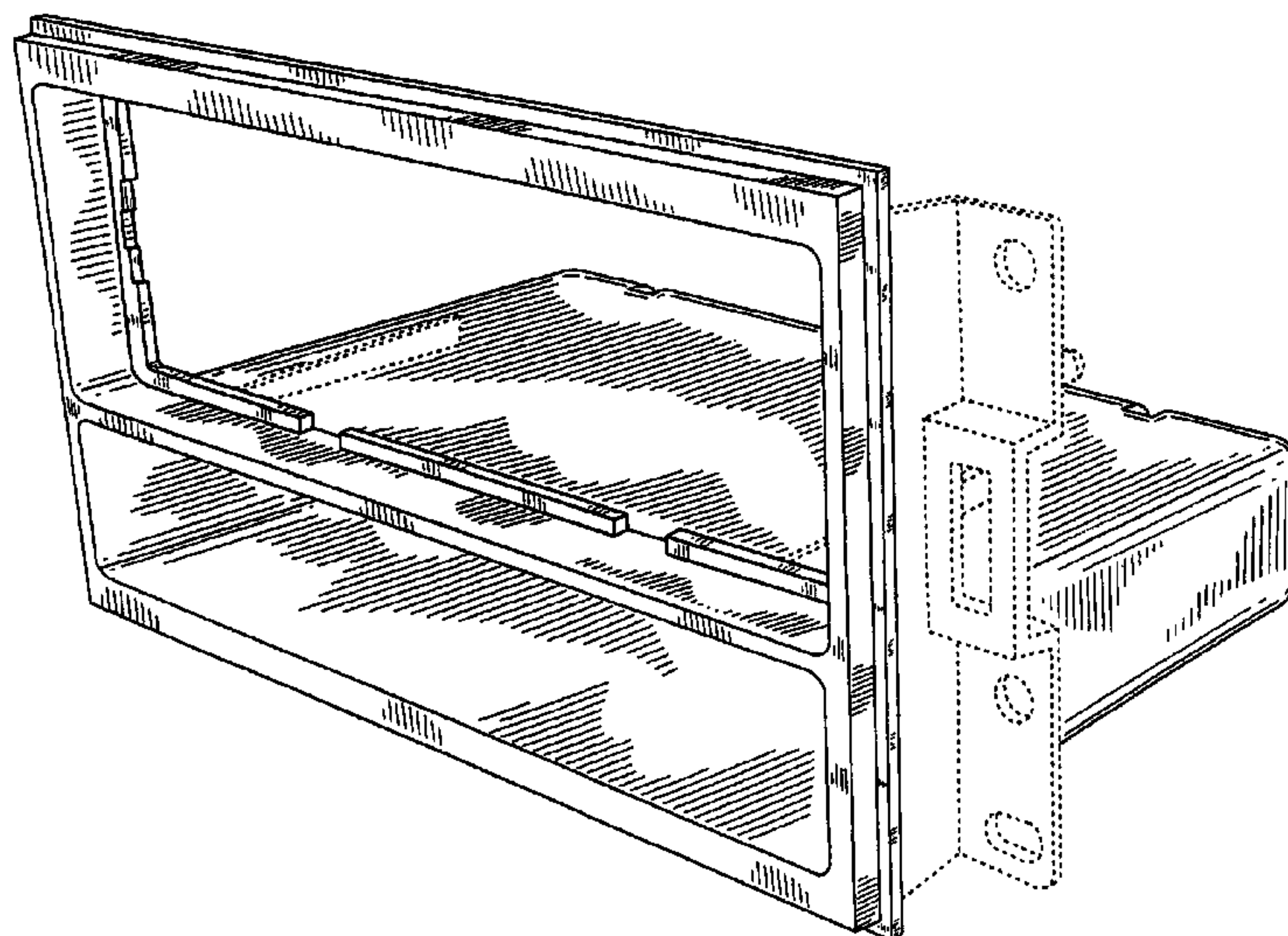
FIG. 5 is a top plan view thereof;

FIG. 6 is a bottom plan view thereof; and,

FIG. 7 is a right side elevation in cross-section, along line 7-7 of FIG. 2, to better illustrate certain features of the disclosed design.

The appearance of my design for an ISO/DIN auto stereo mounting device with pocket, characterized by an ISO/DIN auto stereo mounting space, above a pocket. The mounting structure shown in dotted line forms no part of the claimed design.

**1 Claim, 7 Drawing Sheets**



# US D513,508 S

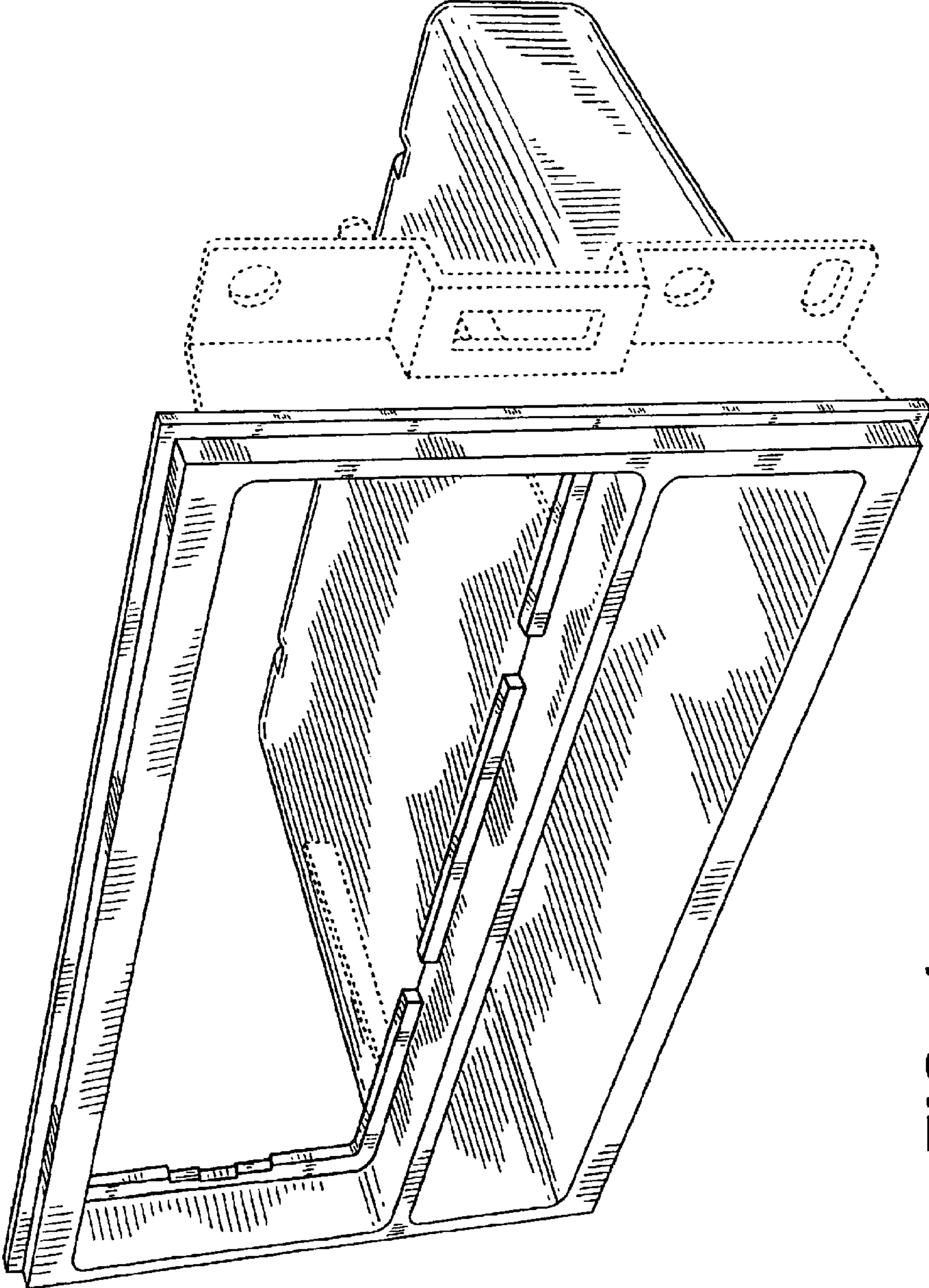
Page 2

---

## U.S. PATENT DOCUMENTS

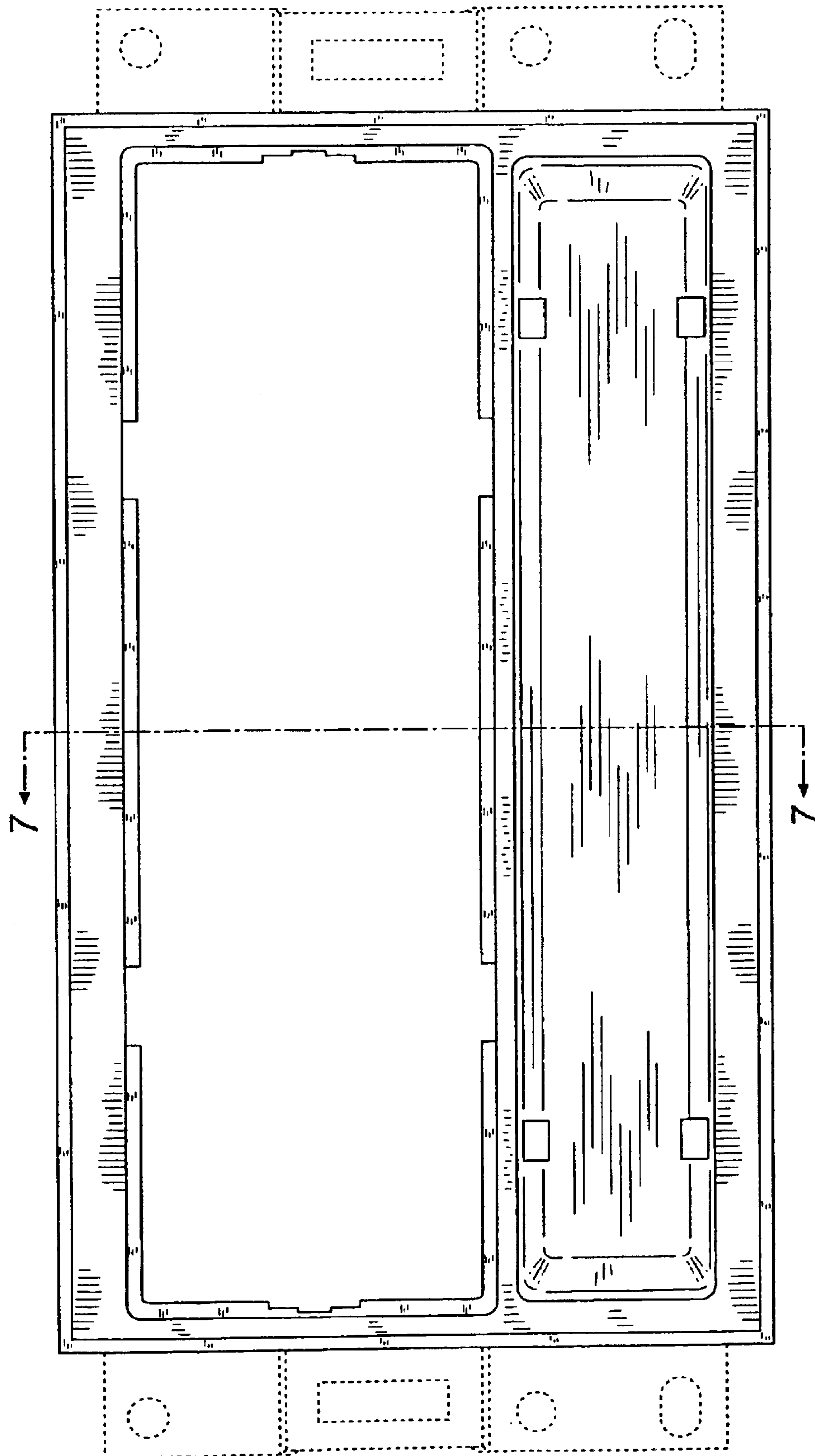
D415,492 S	*	10/1999	Metzler	.....	D14/188	D482,024 S	11/2003	Quilling, II et al.	.....	D14/224	
D418,838 S		1/2000	Jones, Jr.	.....	D14/224	D483,027 S	12/2003	Quilling, II et al.	.....	D14/224	
D422,280 S	*	4/2000	Zeitman	.....	D14/156	D484,495 S	12/2003	Quilling, II et al.	.....	D14/224	
D444,074 S	*	6/2001	Duke	.....	D10/15	D485,260 S	1/2004	Quilling, II et al.	.....	D14/224	
D450,692 S	*	11/2001	Hakoda	.....	D14/257	D488,462 S	4/2004	Quilling, II et al.	.....	D14/224	
D459,721 S	*	7/2002	Gonopolskaya et al.	...	D14/257	D492,287 S	6/2004	Quilling, II	.....	D14/224	
D478,903 S	*	8/2003	Metzler	.....	D14/257	D492,288 S	6/2004	Quilling, II	.....	D14/224	
D481,378 S		10/2003	Quilling, II et al.	.....	D14/224	D492,668 S	7/2004	Quilling, II	.....	D14/224	
D481,707 S		11/2003	Quilling, II et al.	.....	D14/224	D496,028 S	9/2004	Quilling, II	.....	D14/224	
D481,708 S	*	11/2003	Quilling et al.	.....	D14/224	D496,354 S	*	9/2004	Quilling, II	.....	D14/224
D482,023 S		11/2003	Quilling, II et al.	.....	D14/224	D497,158 S	*	10/2004	Pietras et al.	.....	D14/257

\* cited by examiner

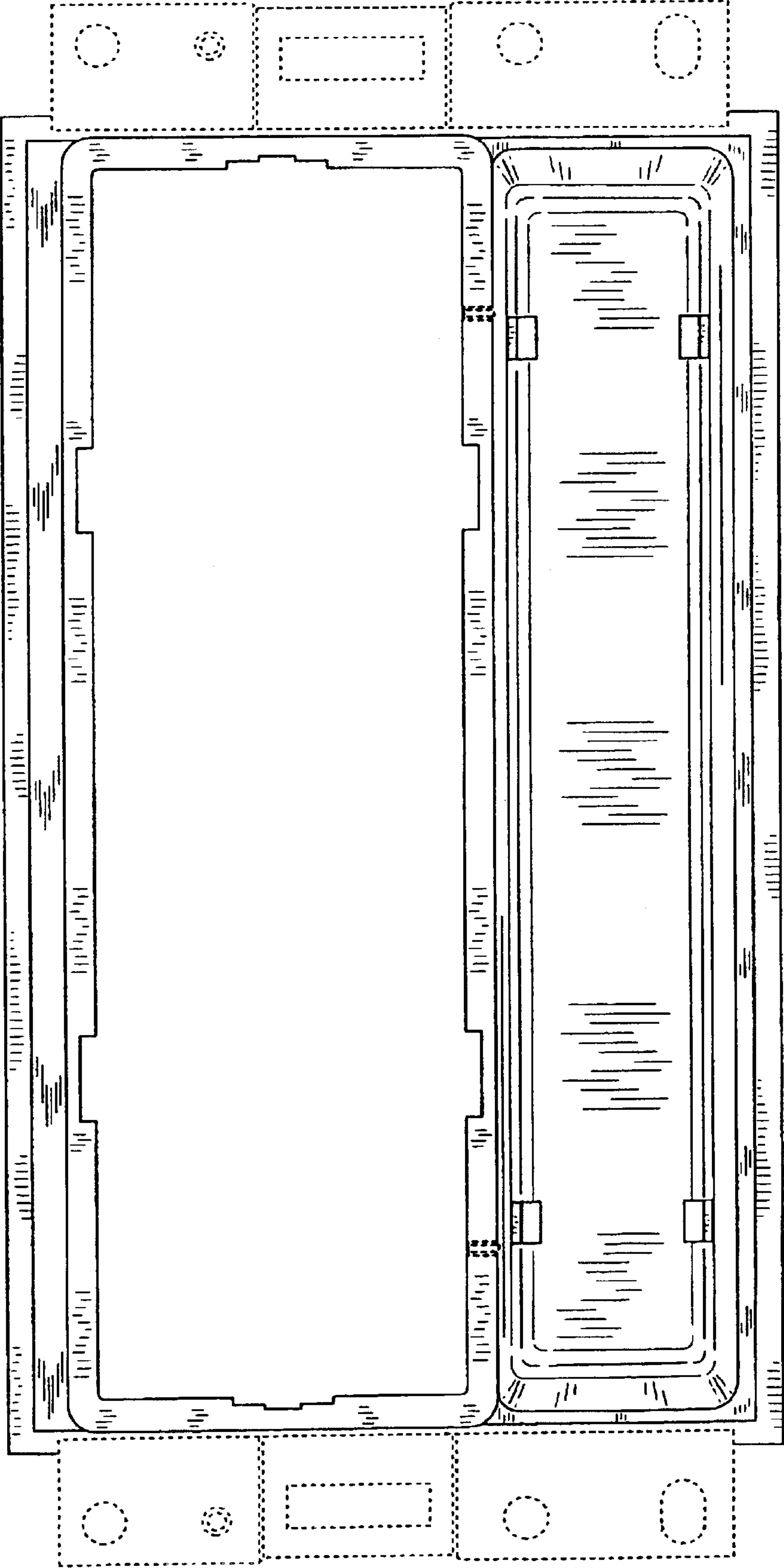


**FIG. 1**

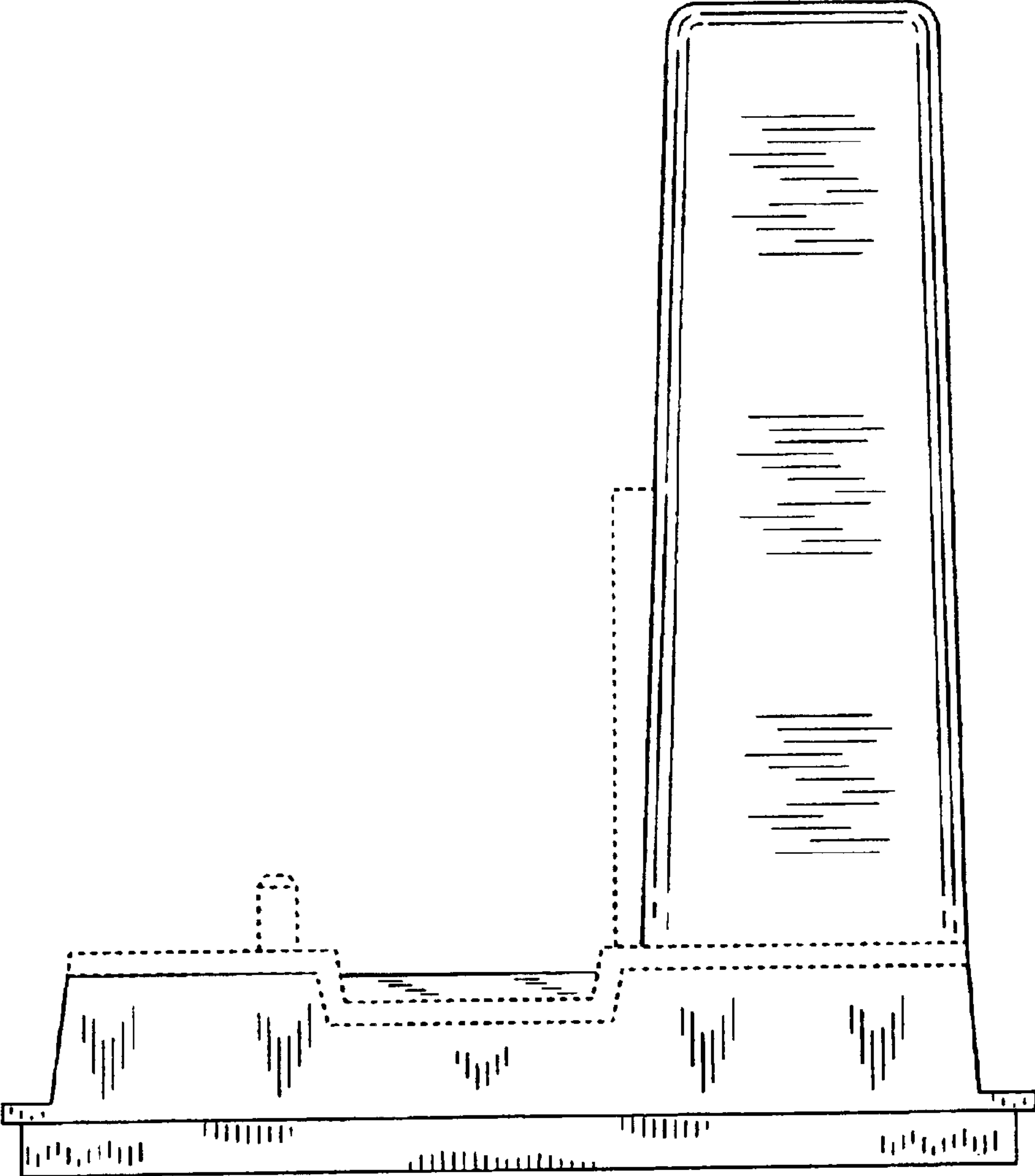




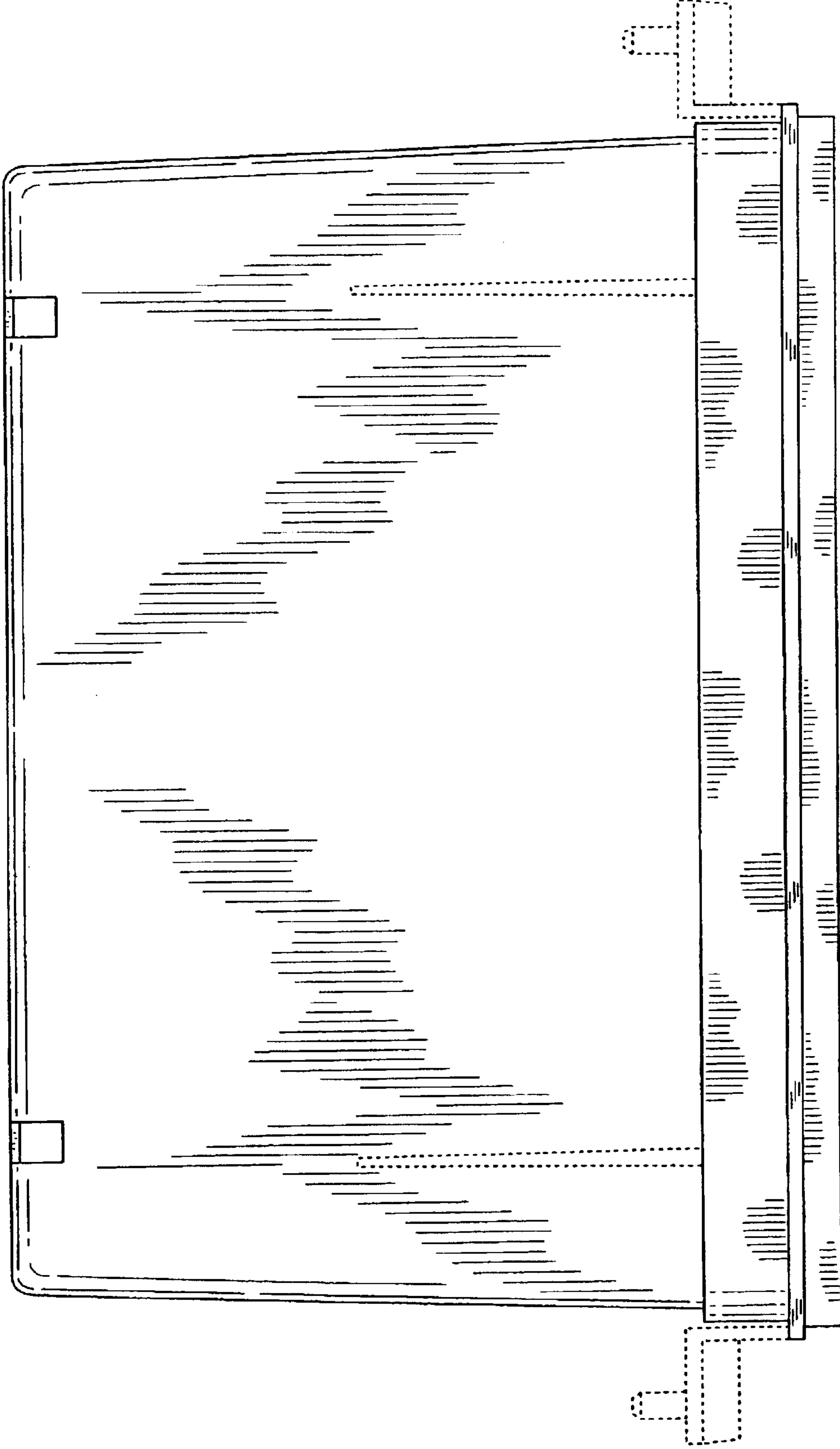
**FIG. 2**



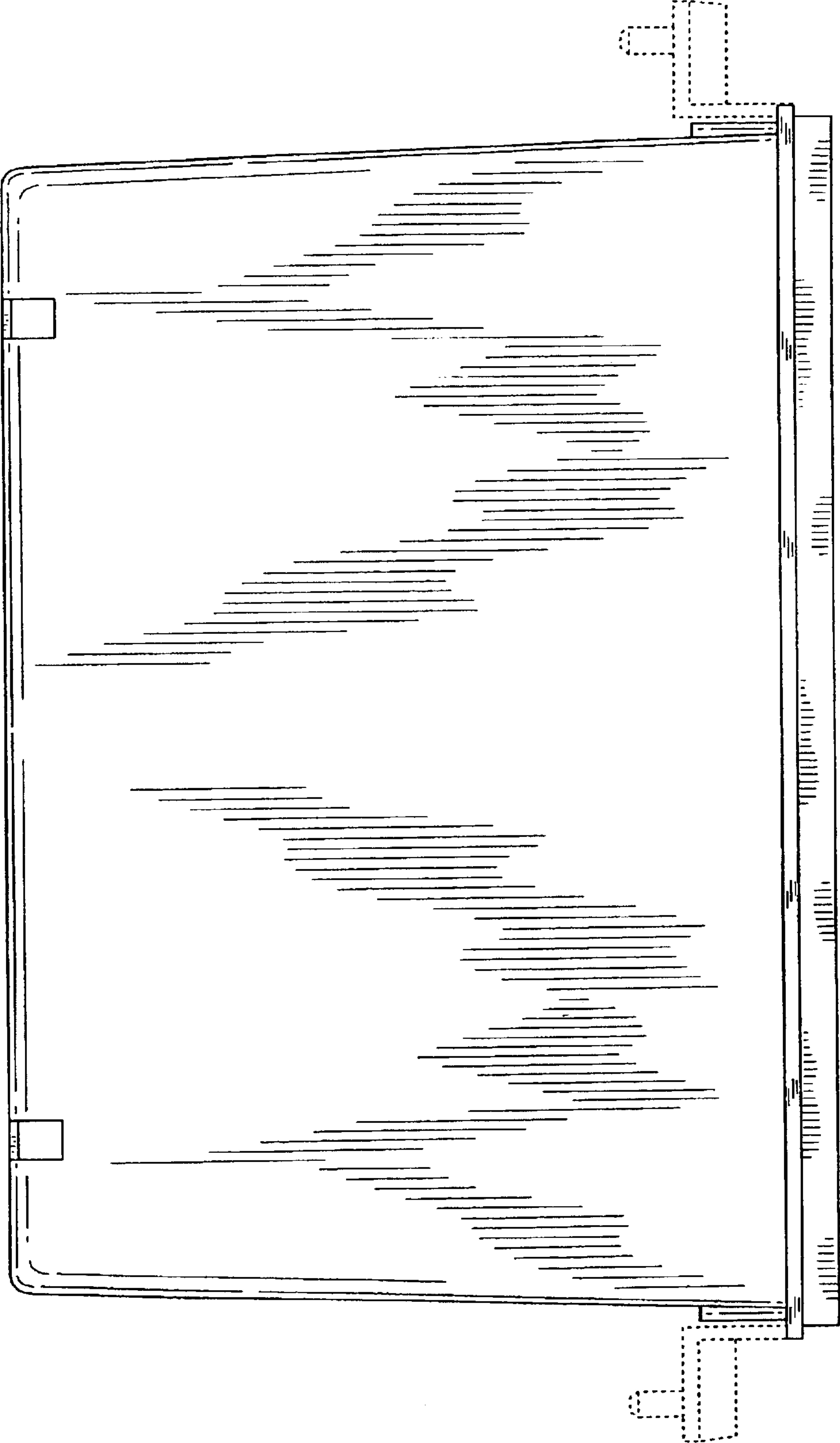
**FIG. 3**



**FIG. 4**

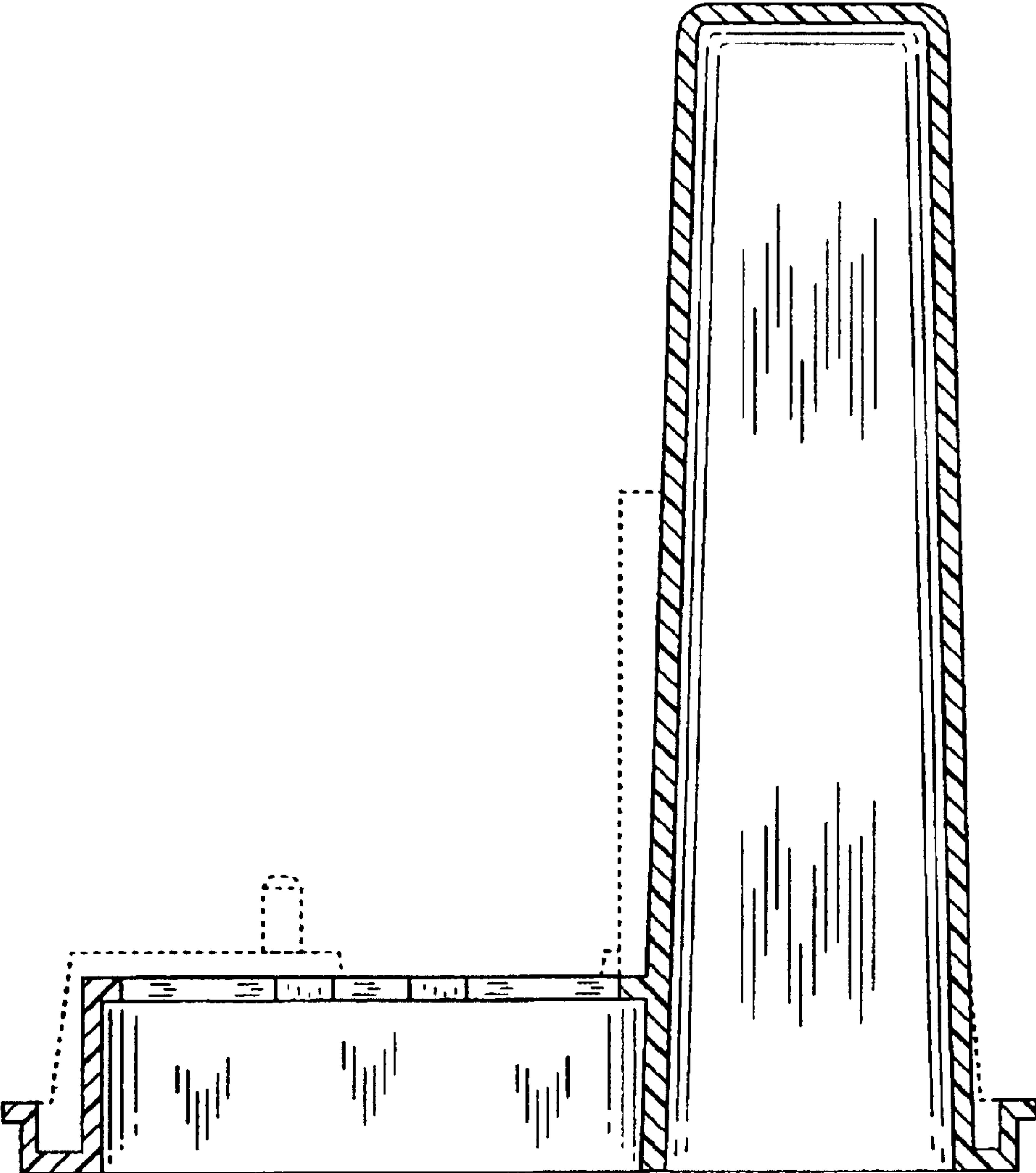


**FIG. 5**



**FIG. 6**





**FIG. 7**