



US00D513505S

(12) **United States Design Patent**
Lee

(10) **Patent No.: US D513,505 S**
(45) **Date of Patent: ** Jan. 10, 2006**

(54) **CELLULAR PHONE**

(75) Inventor: **Yi-Nung Lee, Taipei (TW)**

(73) Assignee: **Arima Communication Corp., Taipei (TW)**

(**) Term: **14 Years**

(21) Appl. No.: **29/216,303**

(22) Filed: **Nov. 2, 2004**

(51) **LOC (8) Cl. 14-03**

(52) **U.S. Cl. D14/138**

(58) **Field of Classification Search** D14/137,
D14/138, 147-148, 247-248, 144, 341-347;
D14/379/433.01-433.13, 434; 455/550.1-90.3,
455/575.3, 566, 575.1; D21/517; 345/169
See application file for complete search history.

(56) **References Cited**

U.S. PATENT DOCUMENTS

D475,689 S	*	6/2003	Shimazu et al.	D14/138
D485,249 S	*	1/2004	Liao et al.	D14/138
D486,809 S	*	2/2004	Hwang	D14/138
D487,443 S	*	3/2004	Yoon	D14/138
D492,275 S	*	6/2004	Lin et al.	D14/138
D493,440 S	*	7/2004	Chou et al.	D14/138
D496,016 S	*	9/2004	Hoo	D14/138
D500,480 S	*	1/2005	Daw	D14/138

D500,750 S	*	1/2005	Arnholt et al.	D14/138
D501,189 S	*	1/2005	Lodato et al.	D14/138
D501,190 S	*	1/2005	Watanabe et al.	D14/138
D502,932 S	*	3/2005	Minamide	D14/138
2004/0192220 A1	*	9/2004	Huang et al.	455/74
2005/0003852 A1	*	1/2005	Song	455/550.1

FOREIGN PATENT DOCUMENTS

JP D1154363 * 9/2002

* cited by examiner

Primary Examiner—Jeffrey Asch

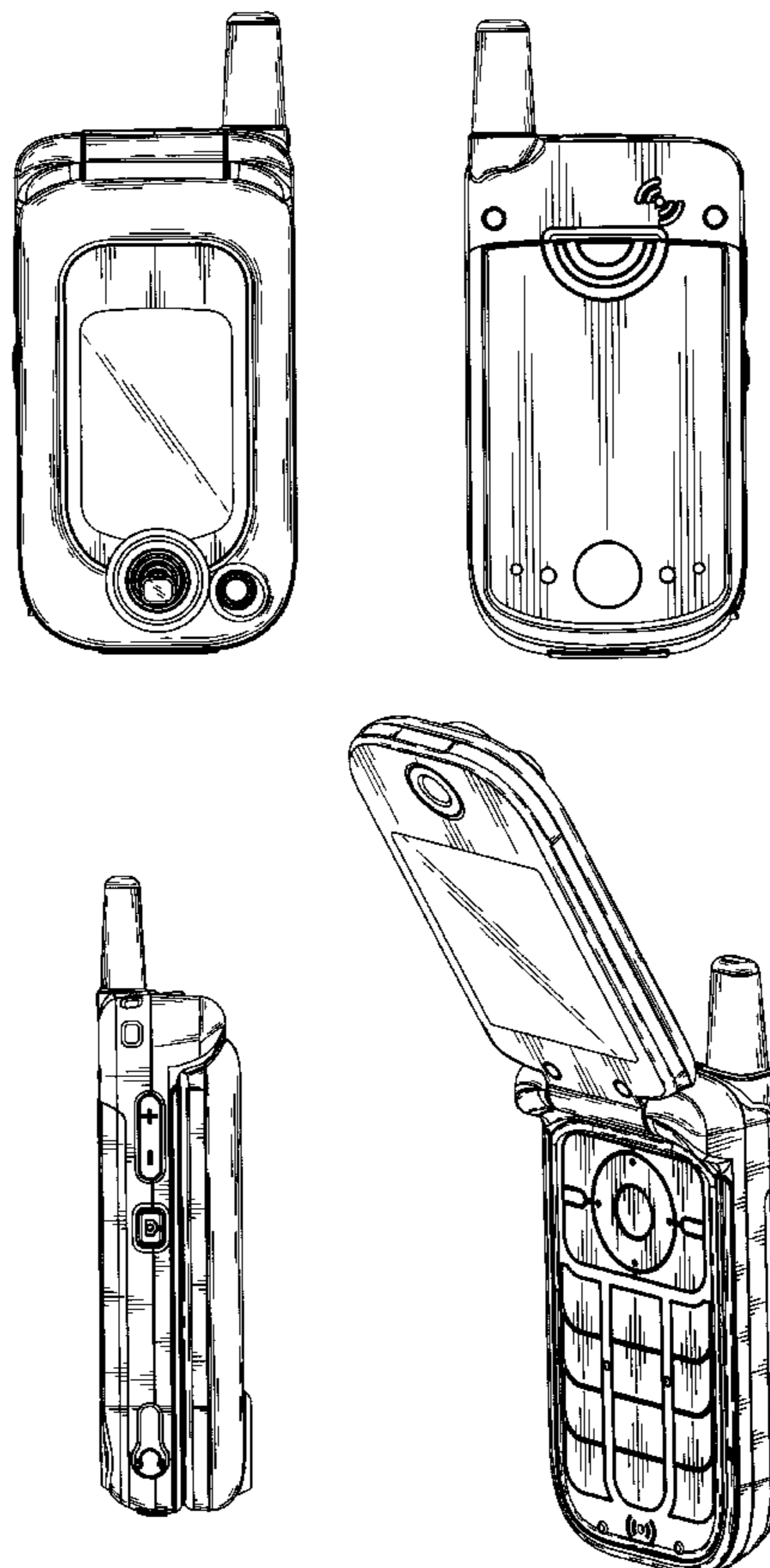
(57) **CLAIM**

The ornamental design for a cellular phone, as shown and described.

DESCRIPTION

FIG. 1 is a perspective view of a cellular phone showing my new design;
FIG. 2 is a front view thereof;
FIG. 3 is a rear view thereof;
FIG. 4 is a left side view thereof;
FIG. 5 is a right side view thereof;
FIG. 6 is a top view thereof;
FIG. 7 is a bottom view thereof; and,
FIG. 8 is a perspective view showing the cellular phone in use.

1 Claim, 6 Drawing Sheets



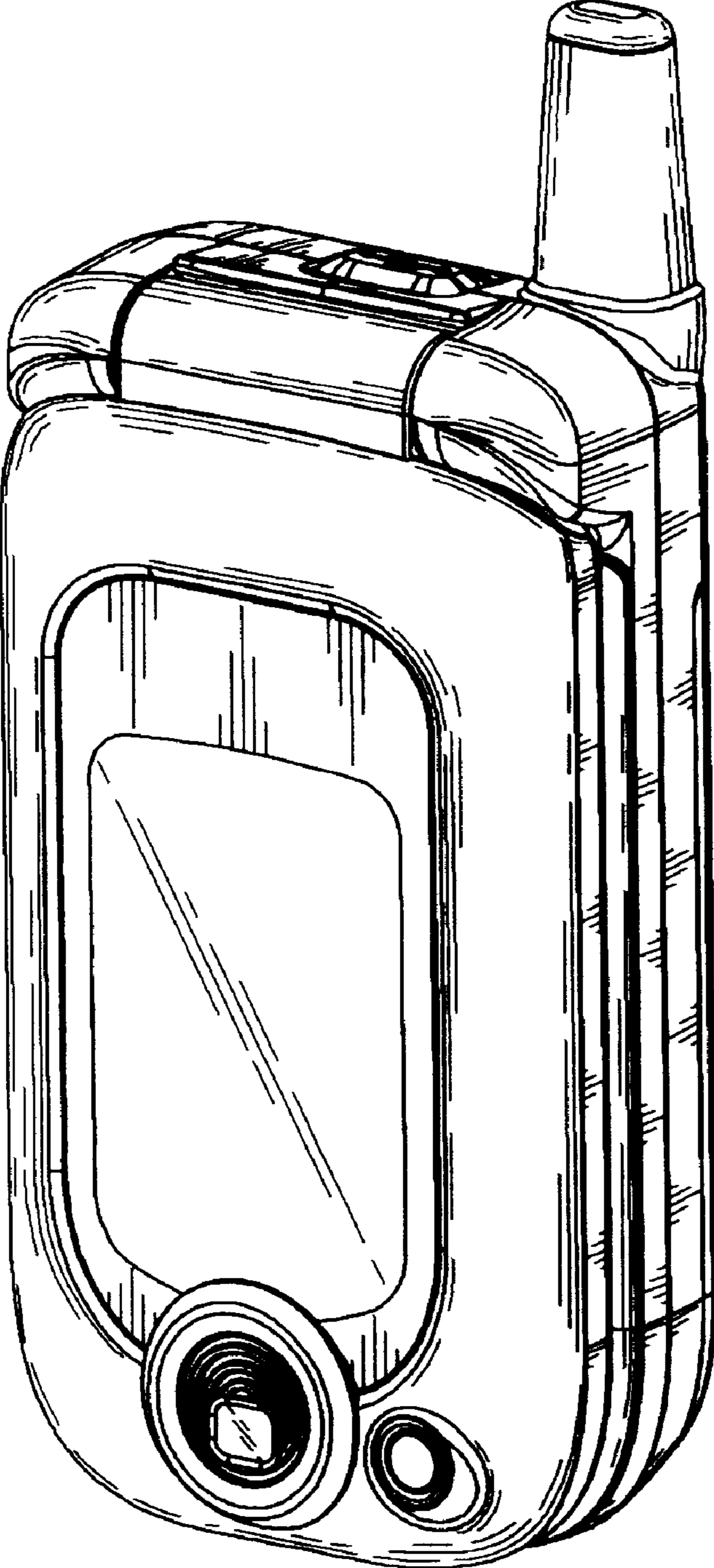


FIG. 1

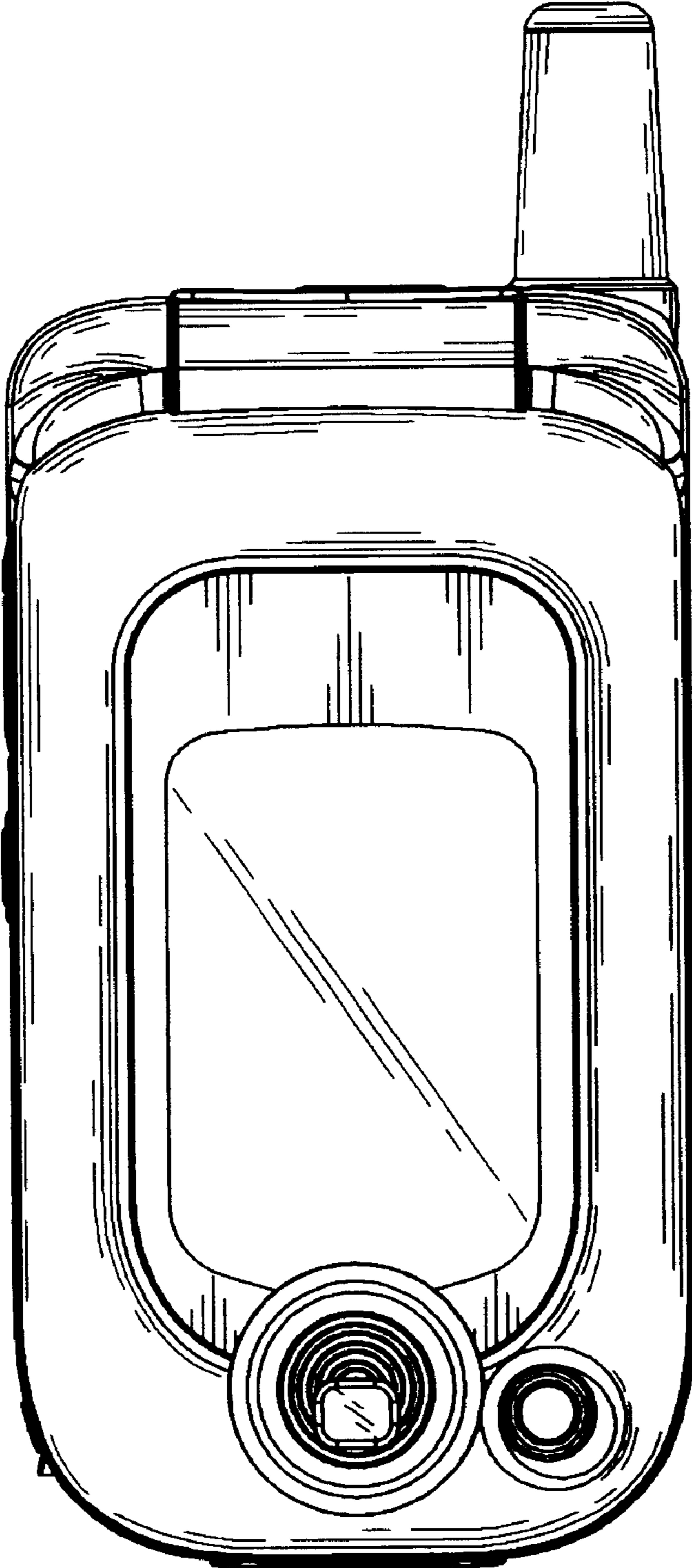


FIG. 2

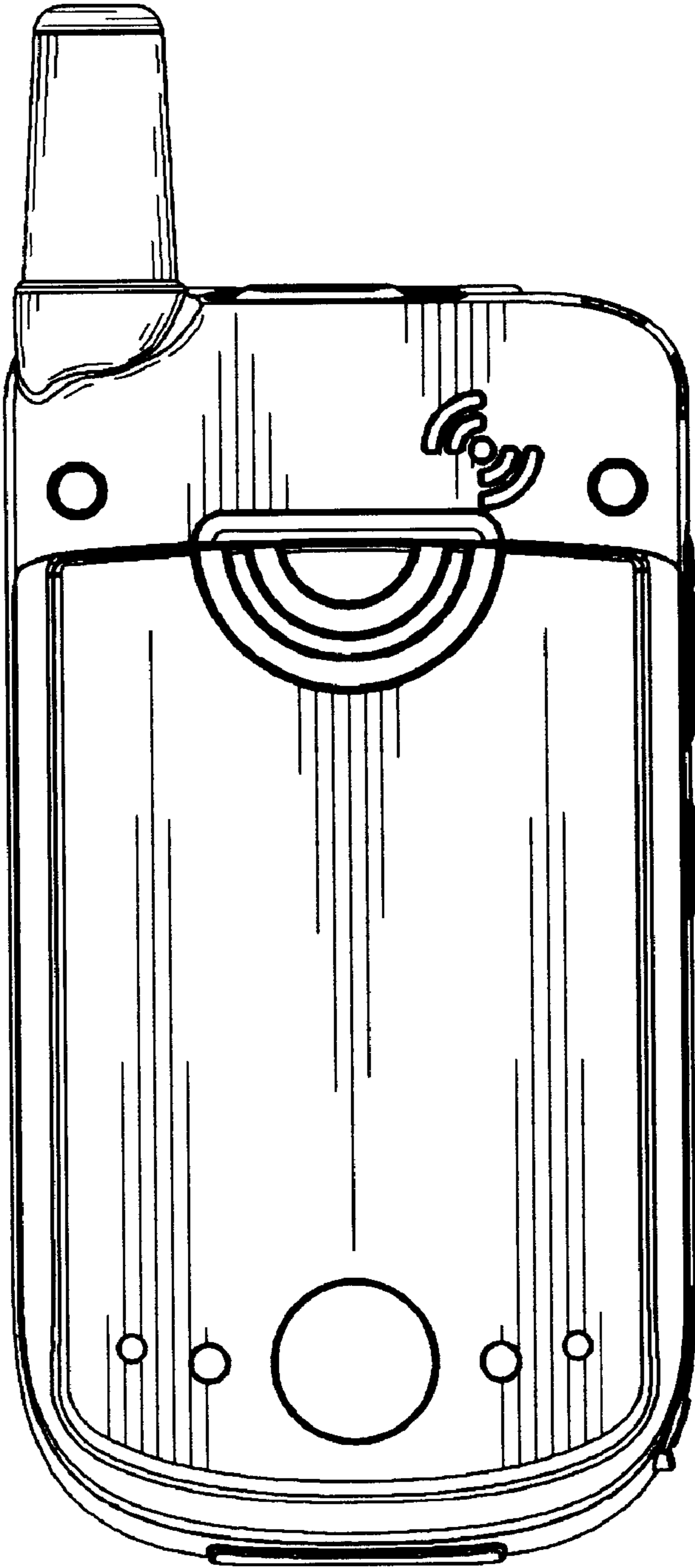


FIG. 3

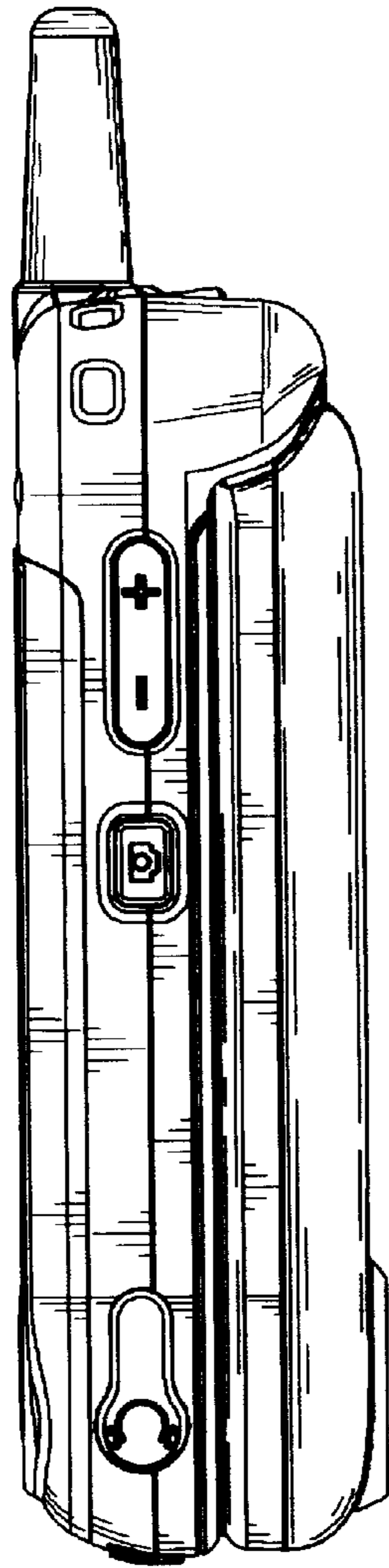


FIG. 4

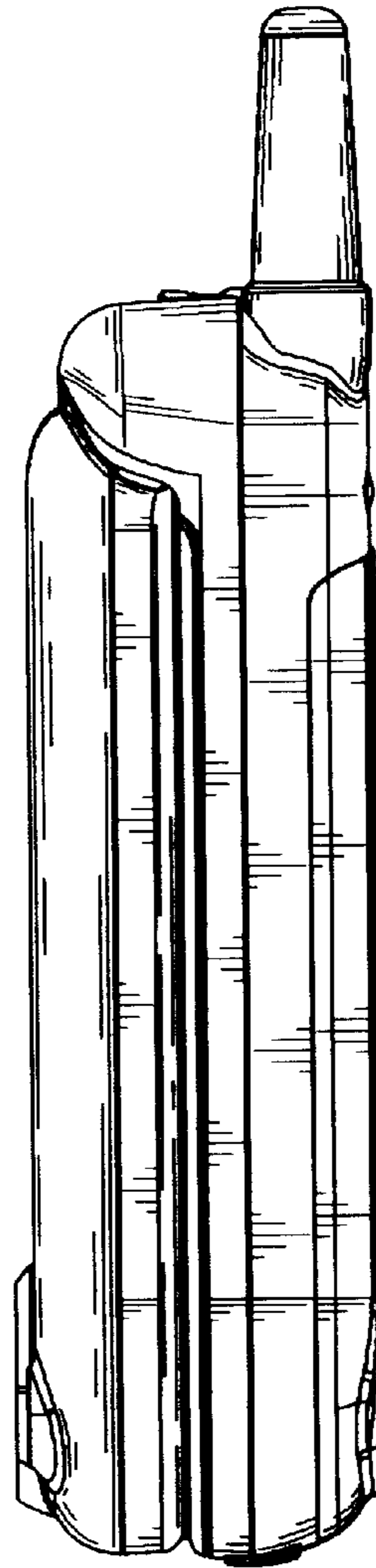


FIG. 5

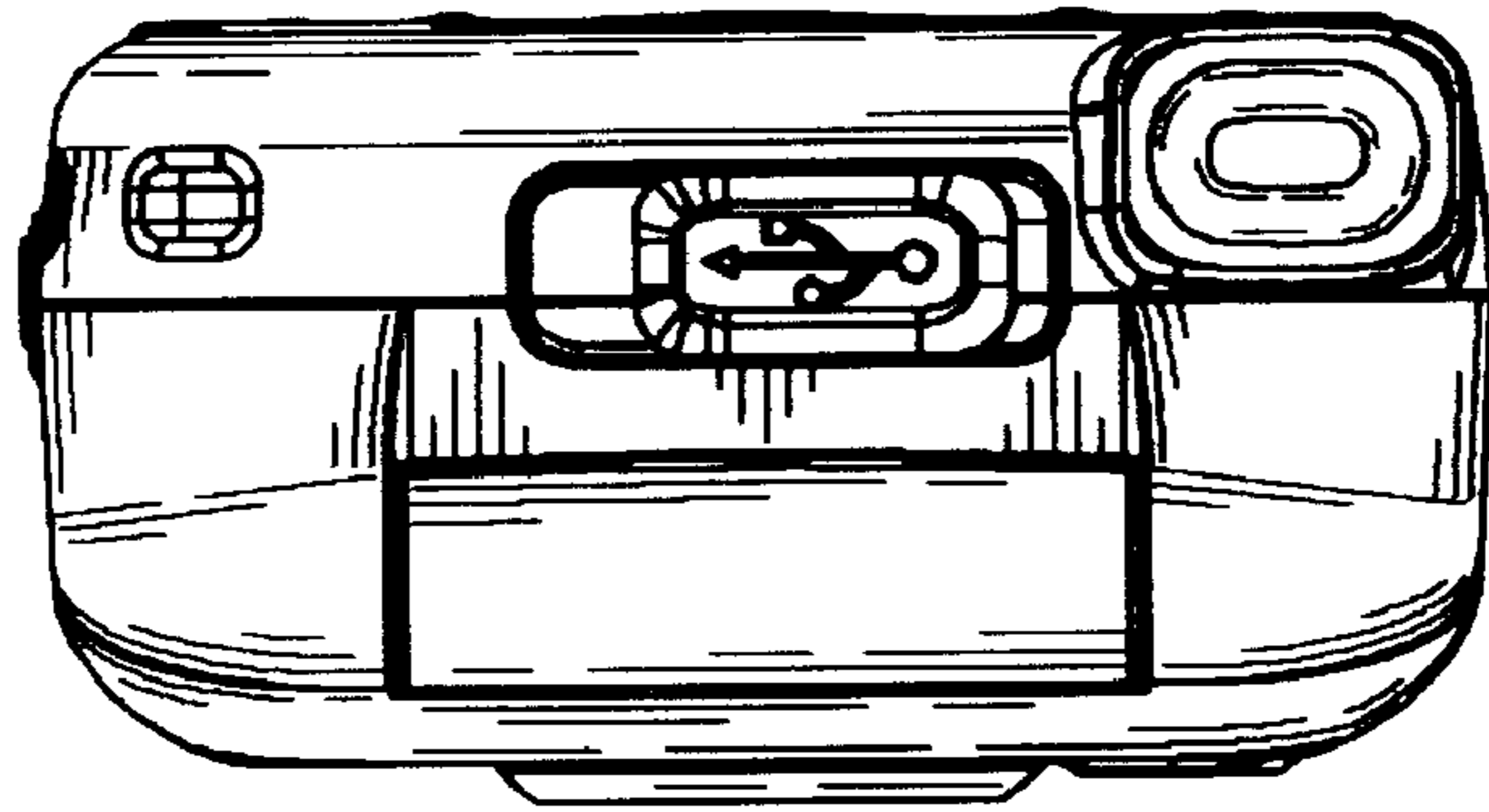


FIG. 6

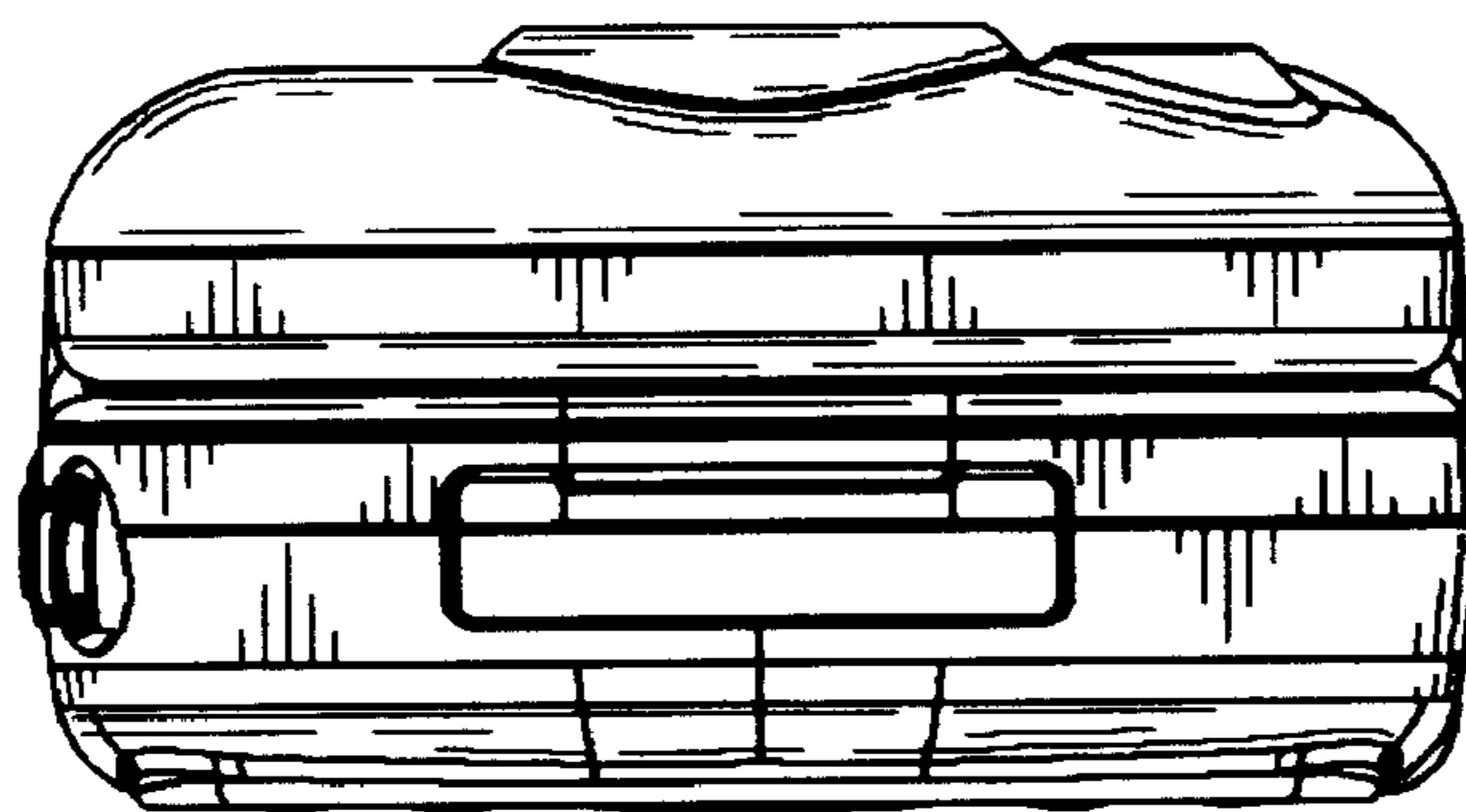


FIG. 7

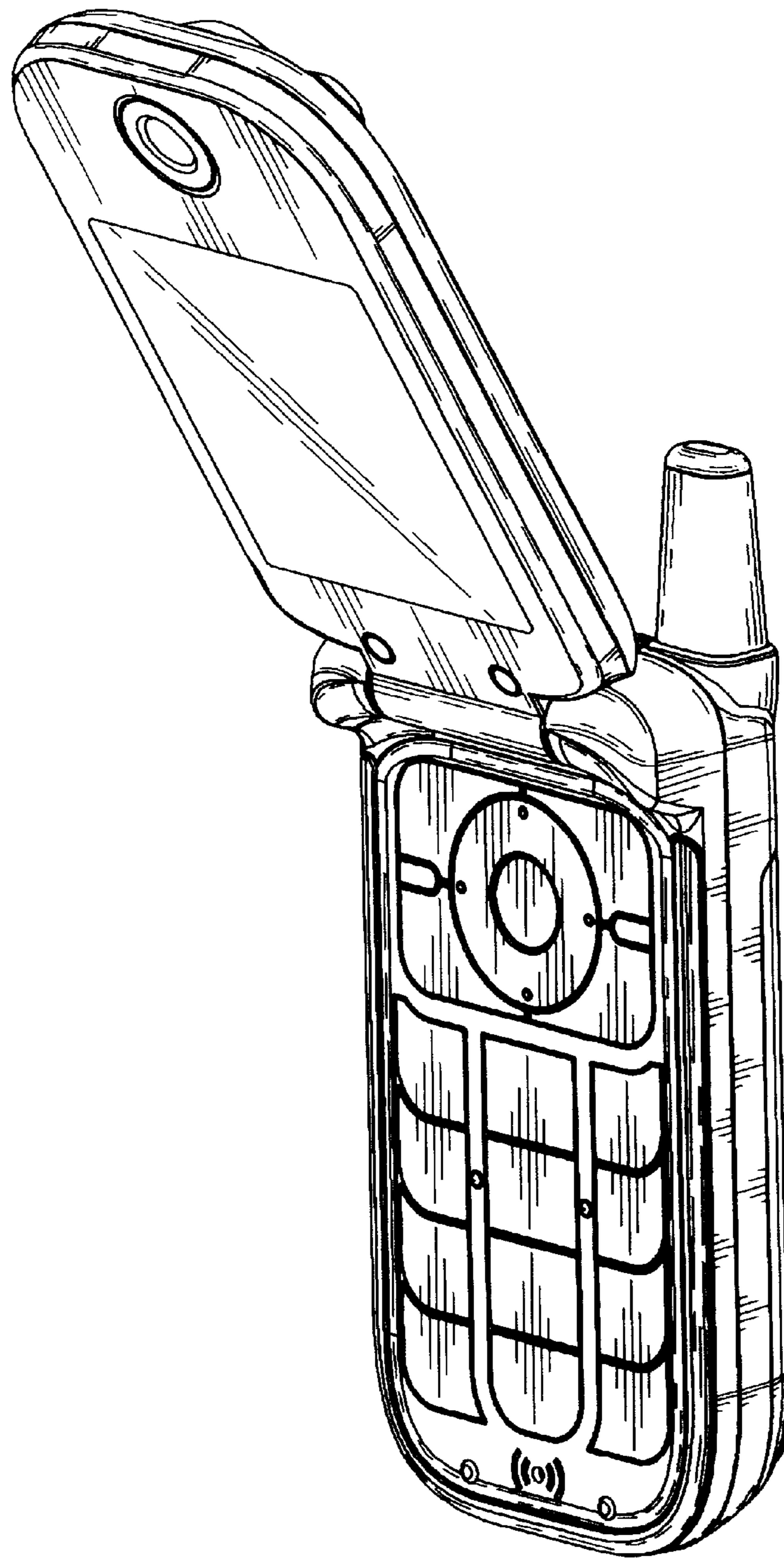


FIG. 8