



US00D513500S

(12) **United States Design Patent**
Chen

(10) **Patent No.:** **US D513,500 S**
(45) **Date of Patent:** **** Jan. 10, 2006**

(54) **PORTABLE DIGITAL VIDEO DISC DRIVE**

D425,889 S * 5/2000 Yuyama D14/136
6,792,292 B1 * 9/2004 Chatani 455/566
D497,886 S * 11/2004 Hussaini et al. D14/129

(75) Inventor: **Hong-Shie Chen**, Tainan (TW)

(73) Assignee: **Yung Fu Technology Electrical Corp.**,
Tainan Technology Industrial Park (TW)

(**) Term: **14 Years**

(21) Appl. No.: **29/209,238**

(22) Filed: **Jul. 14, 2004**

(51) **LOC (8) Cl.** **14-03**

(52) **U.S. Cl.** **D14/129; D14/132**

(58) **Field of Classification Search** D14/125-134,
D14/239, 371, 374-376; 312/7.2; 348/836,
348/838, 180, 184, 325, 739; 341/12; 248/917-924,
248/465; 345/104, 133, 156, 168, 87, 173;
720/605, 669, 600, 655; 369/99, 197; 455/344-347,
455/566

See application file for complete search history.

(56) **References Cited**

U.S. PATENT DOCUMENTS

D397,113 S * 8/1998 Masamitsu D14/156
D399,506 S * 10/1998 Takahashi et al. D14/156

OTHER PUBLICATIONS

MCM catalog, p. 277, 2003.*

* cited by examiner

Primary Examiner—Raphael Barkai

(74) *Attorney, Agent, or Firm*—Rosenberg, Klein & Lee

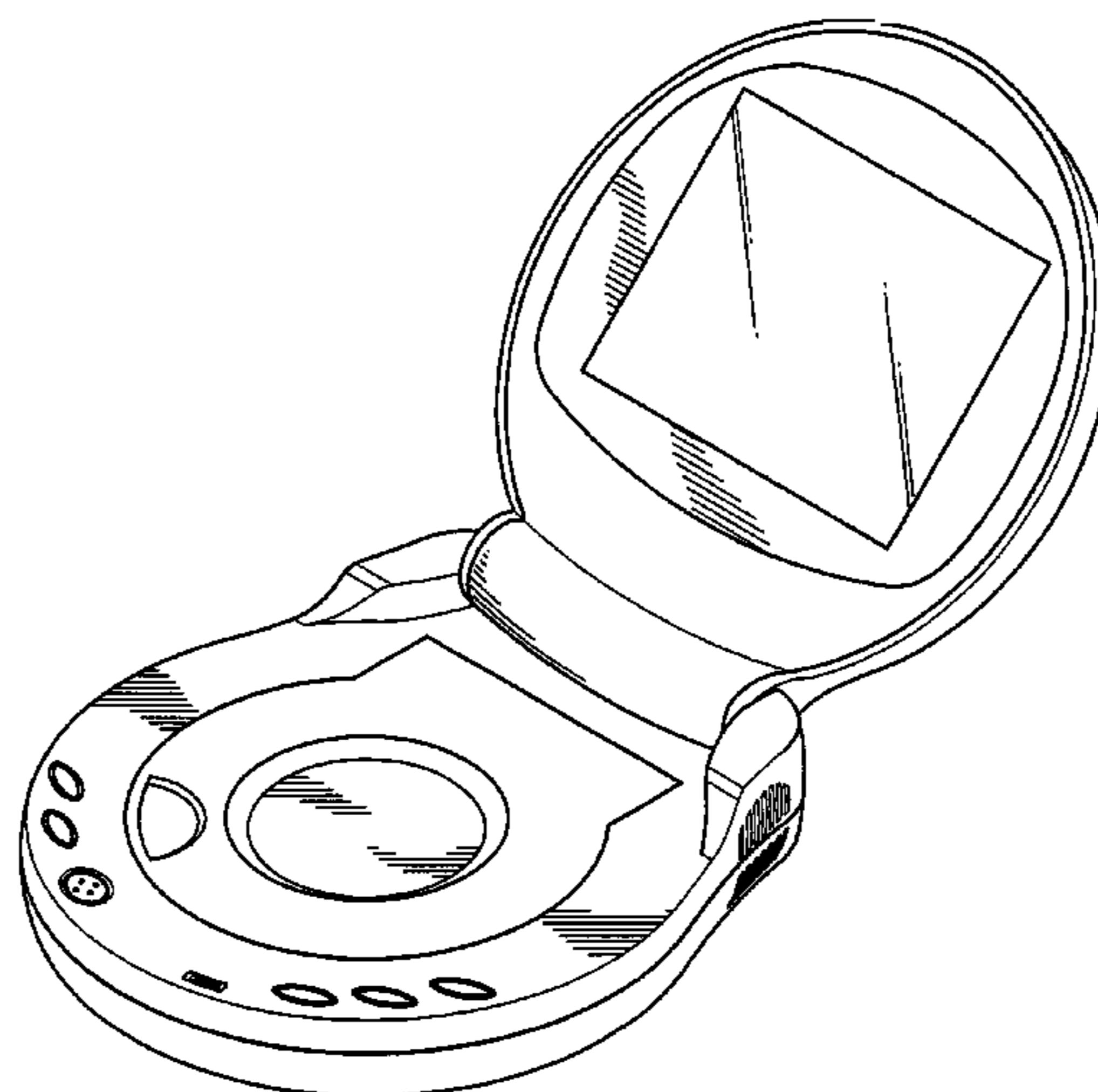
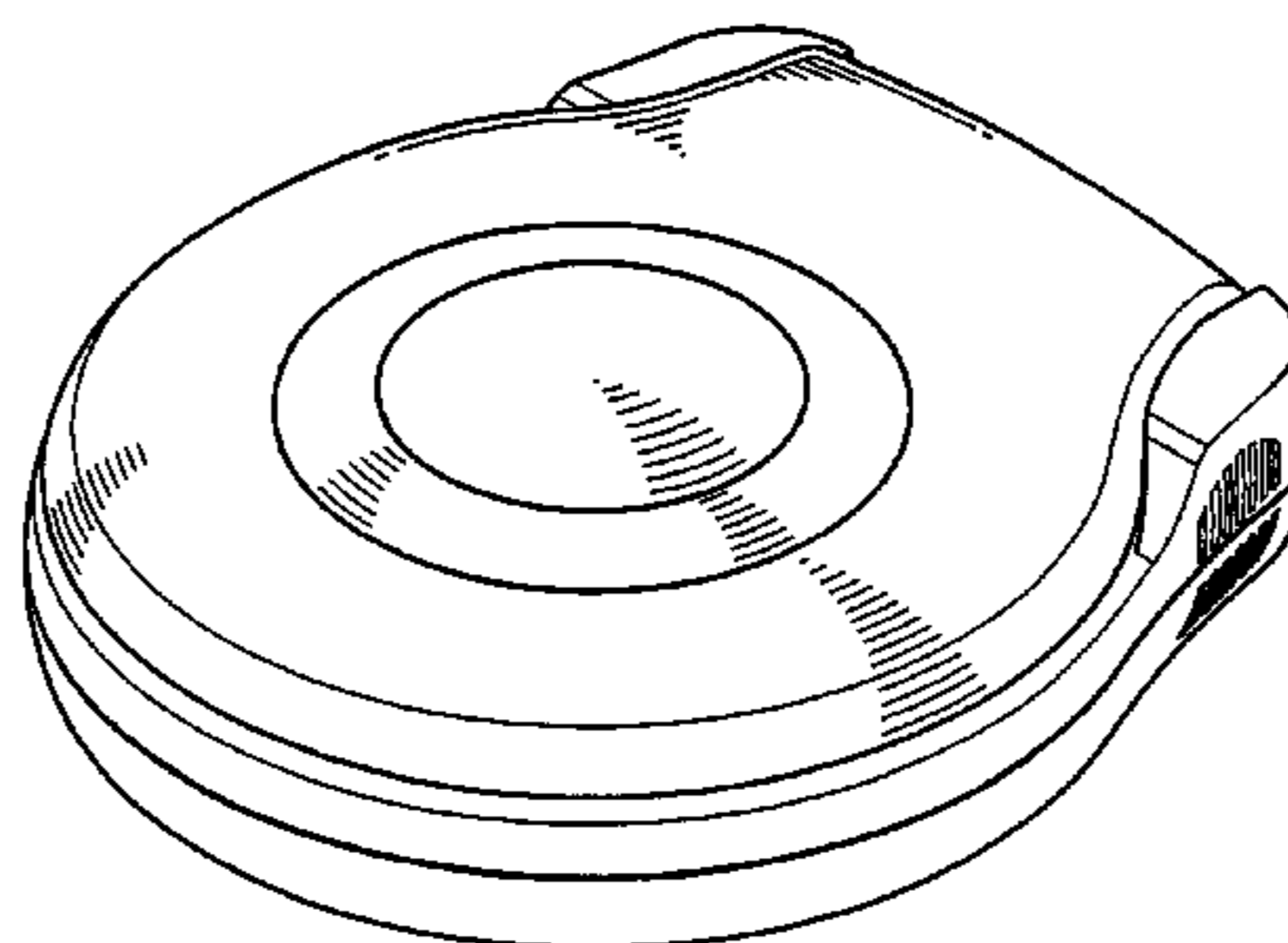
(57) **CLAIM**

The ornamental design for a portable digital video disc drive, as shown and described.

DESCRIPTION

FIG. 1 is a perspective view of a closed portable digital video disc drive showing my new design; FIG. 2 is a front elevational view thereof; FIG. 3 is a rear elevational view thereof; FIG. 4 is a left side elevational view thereof; FIG. 5 is a right side elevational view thereof; FIG. 6 is a top plan view thereof; FIG. 7 is a bottom plan view thereof; and, FIG. 8 is a perspective view thereof, in the open position.

1 Claim, 5 Drawing Sheets



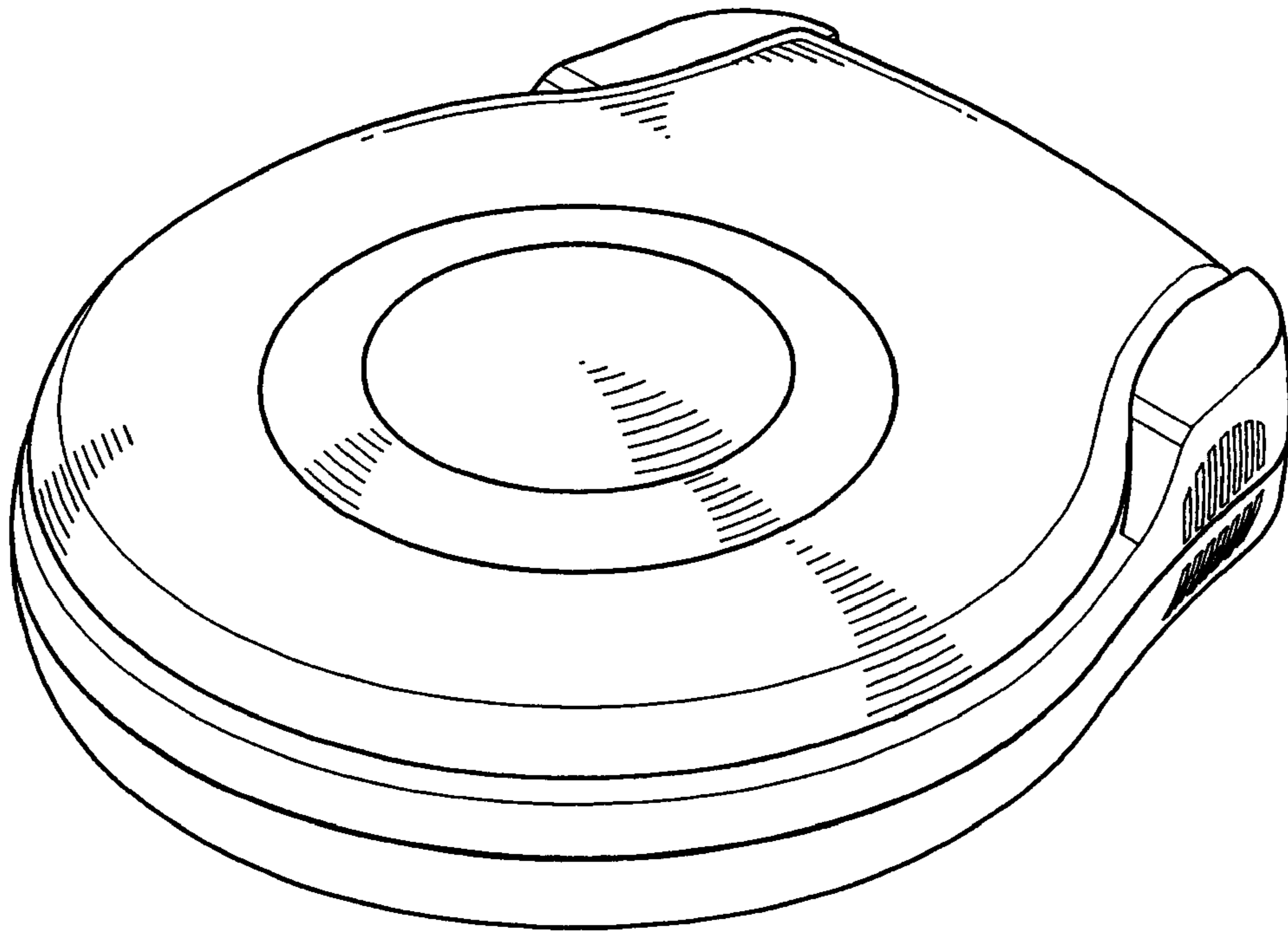


FIG. 1

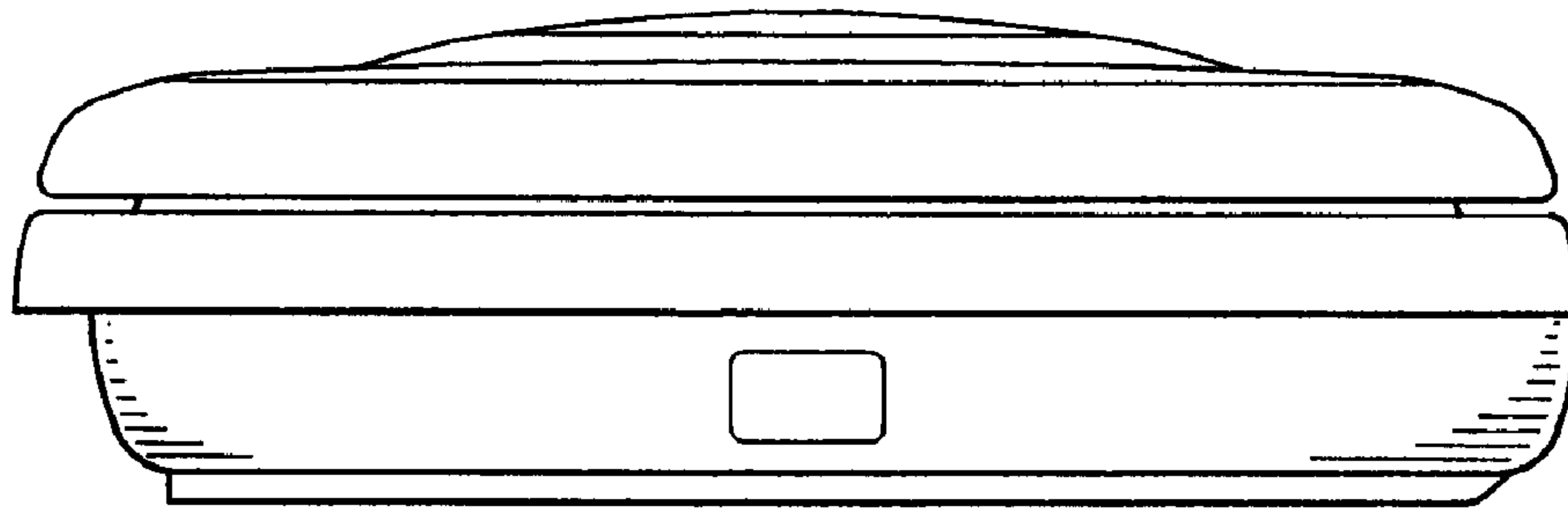


FIG. 2

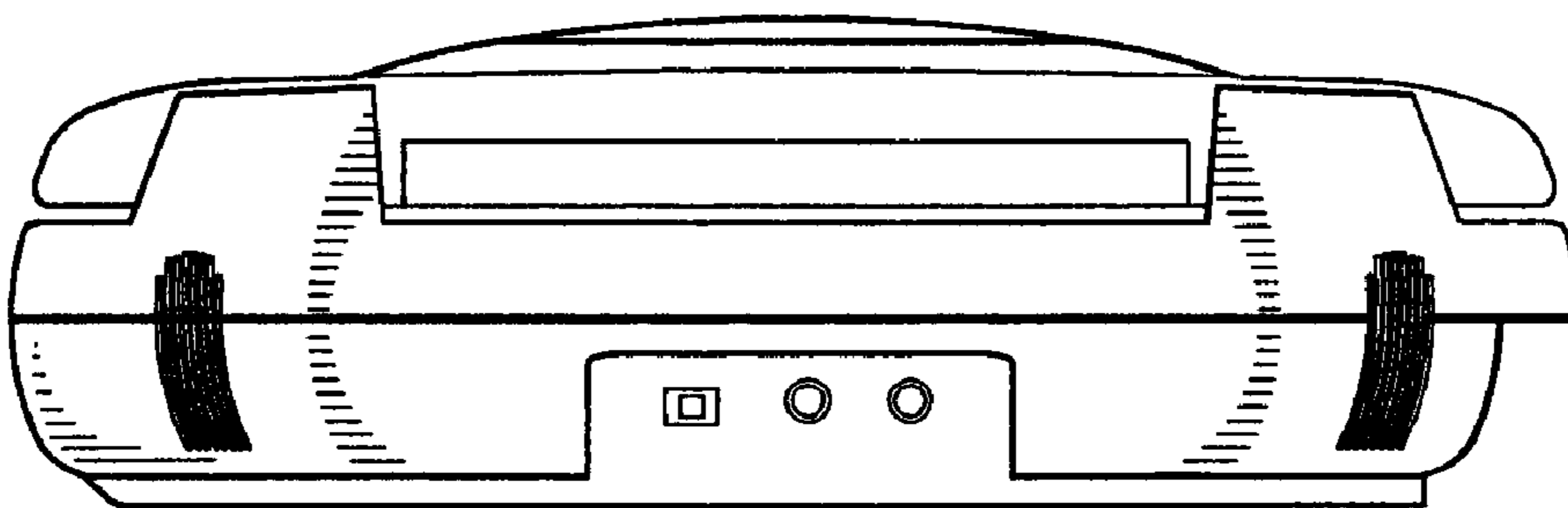


FIG. 3

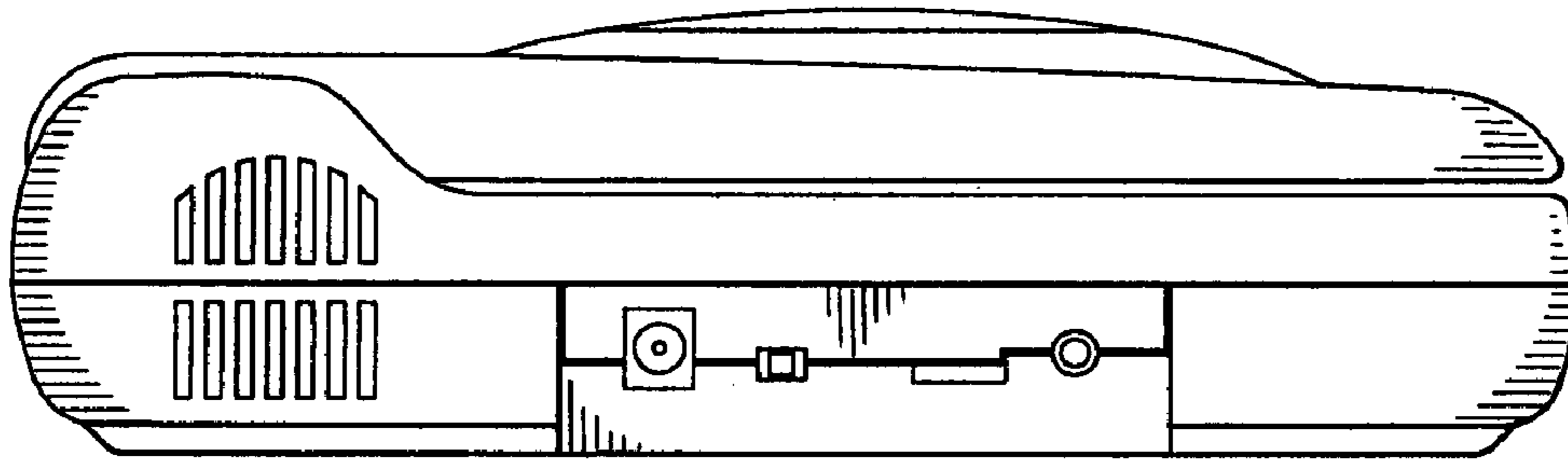


FIG. 4

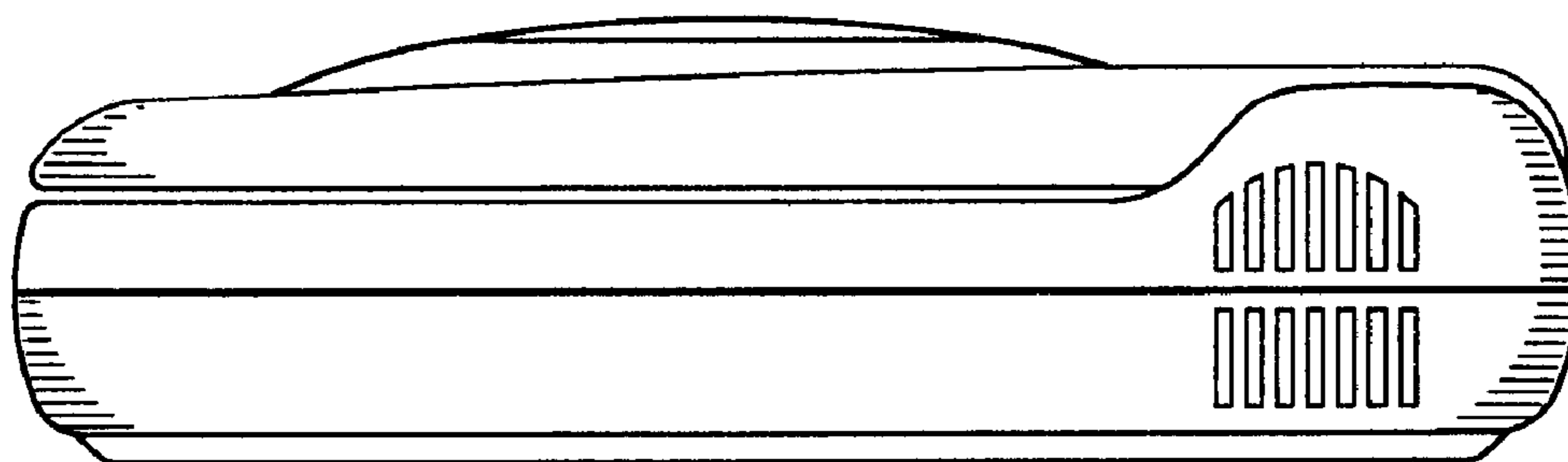


FIG. 5

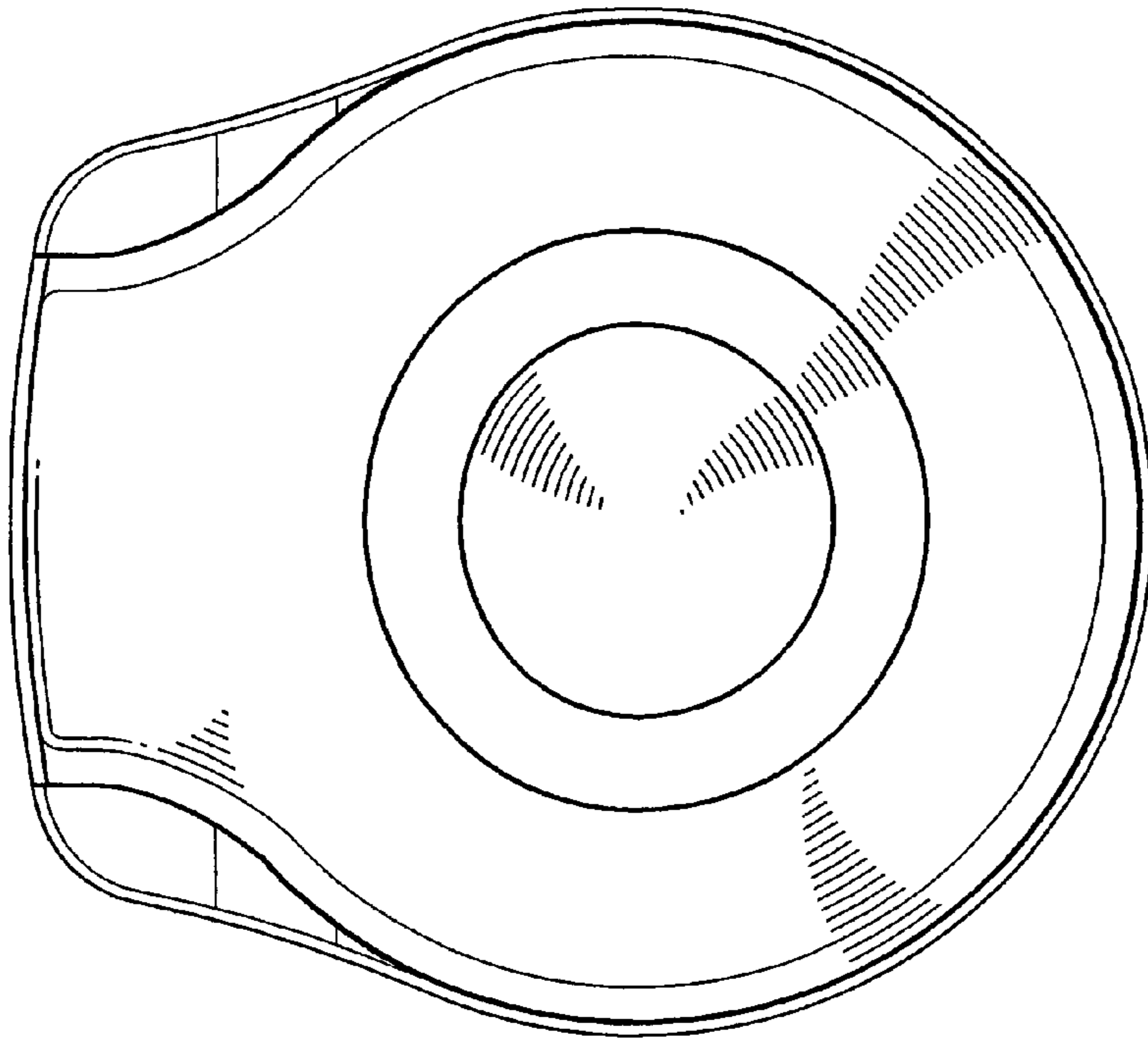


FIG. 6

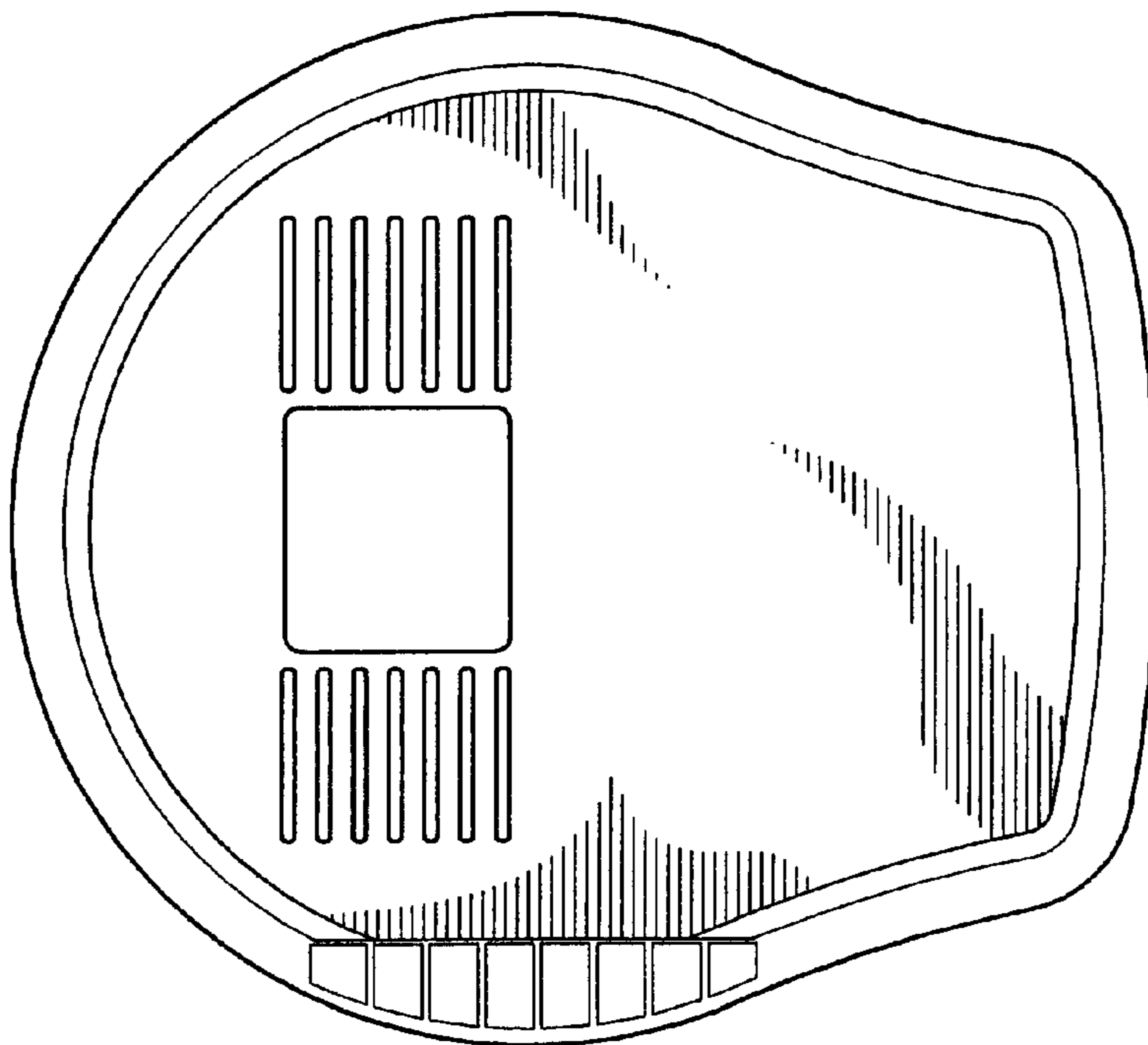


FIG. 7

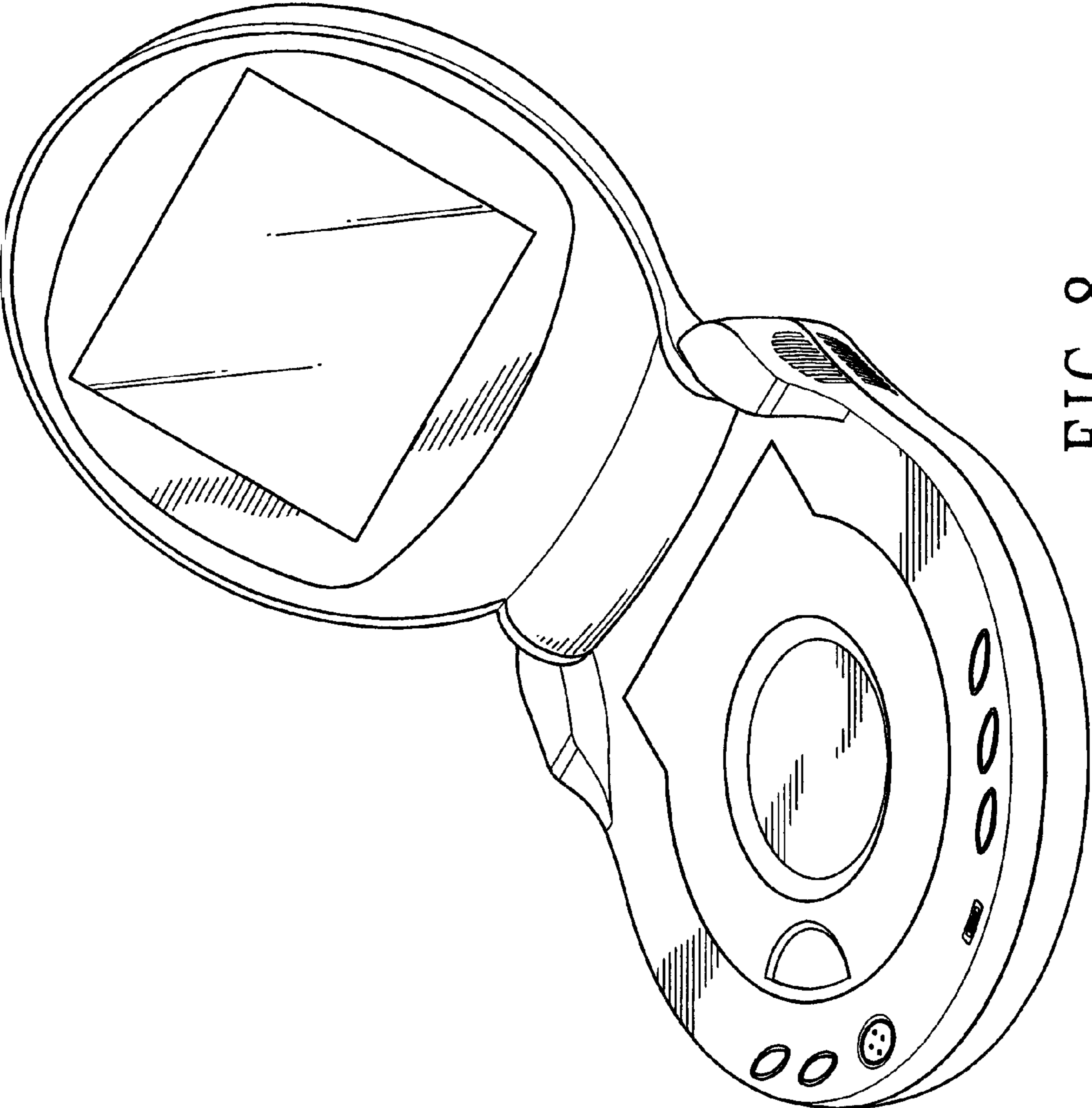


FIG. 8