



US00D513496S

(12) **United States Design Patent**
Ikegami

(10) **Patent No.:** **US D513,496 S**

(45) **Date of Patent:** **** Jan. 10, 2006**

(54) **DISTRIBUTION SWITCH**

(75) **Inventor:** **Shoji Ikegami, Saitama-ken (JP)**

(73) **Assignee:** **Comet Corporation, Saitama-ken (JP)**

(**) **Term:** **14 Years**

(21) **Appl. No.:** **29/213,096**

(22) **Filed:** **Sep. 14, 2004**

(30) **Foreign Application Priority Data**

May 31, 2004 (JP) 2004-015929

(51) **LOC (8) Cl.** **13-03**

(52) **U.S. Cl.** **D13/160; D13/169**

(58) **Field of Classification Search** D13/160,
D13/169; 337/64, 66, 68; 200/43.01, 43.16
See application file for complete search history.

(56) **References Cited**

U.S. PATENT DOCUMENTS

5,004,994 A * 4/1991 Korczynski et al. 337/66
5,021,761 A * 6/1991 Stack et al. 337/68
D321,339 S * 11/1991 Stack et al. D13/160

D322,960 S * 1/1992 Stack et al. D13/160
5,157,369 A * 10/1992 Yao 337/68
6,538,549 B1 * 3/2003 Renne et al. 337/64

* cited by examiner

Primary Examiner—Stella Reid

Assistant Examiner—Selina Sikder

(74) *Attorney, Agent, or Firm*—Bacon & Thomas PLLC

(57) **CLAIM**

The ornamental design for a distribution switch, as shown.

DESCRIPTION

FIG. 1 is a rear view of a distribution switch showing my new design;

FIG. 2 is a front view thereof;

FIG. 3 is a top view thereof;

FIG. 4 is a right side view thereof;

FIG. 5 is a left side view thereof;

FIG. 6 is a bottom view thereof;

FIG. 7 is a perspective view thereof, taken from top side; and,

FIG. 8 is another perspective view thereof, taken from bottom side.

1 Claim, 4 Drawing Sheets

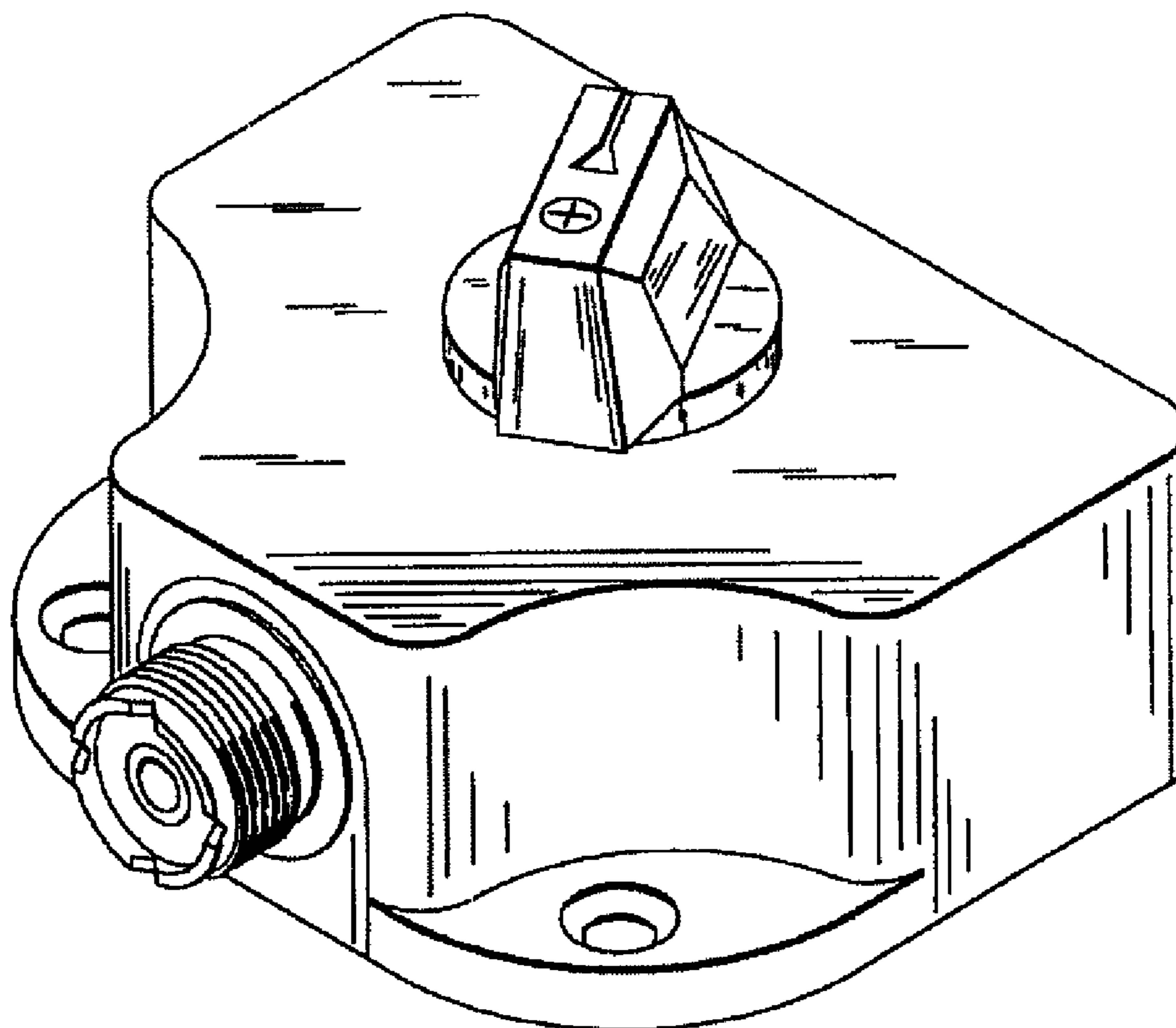


Fig. 1

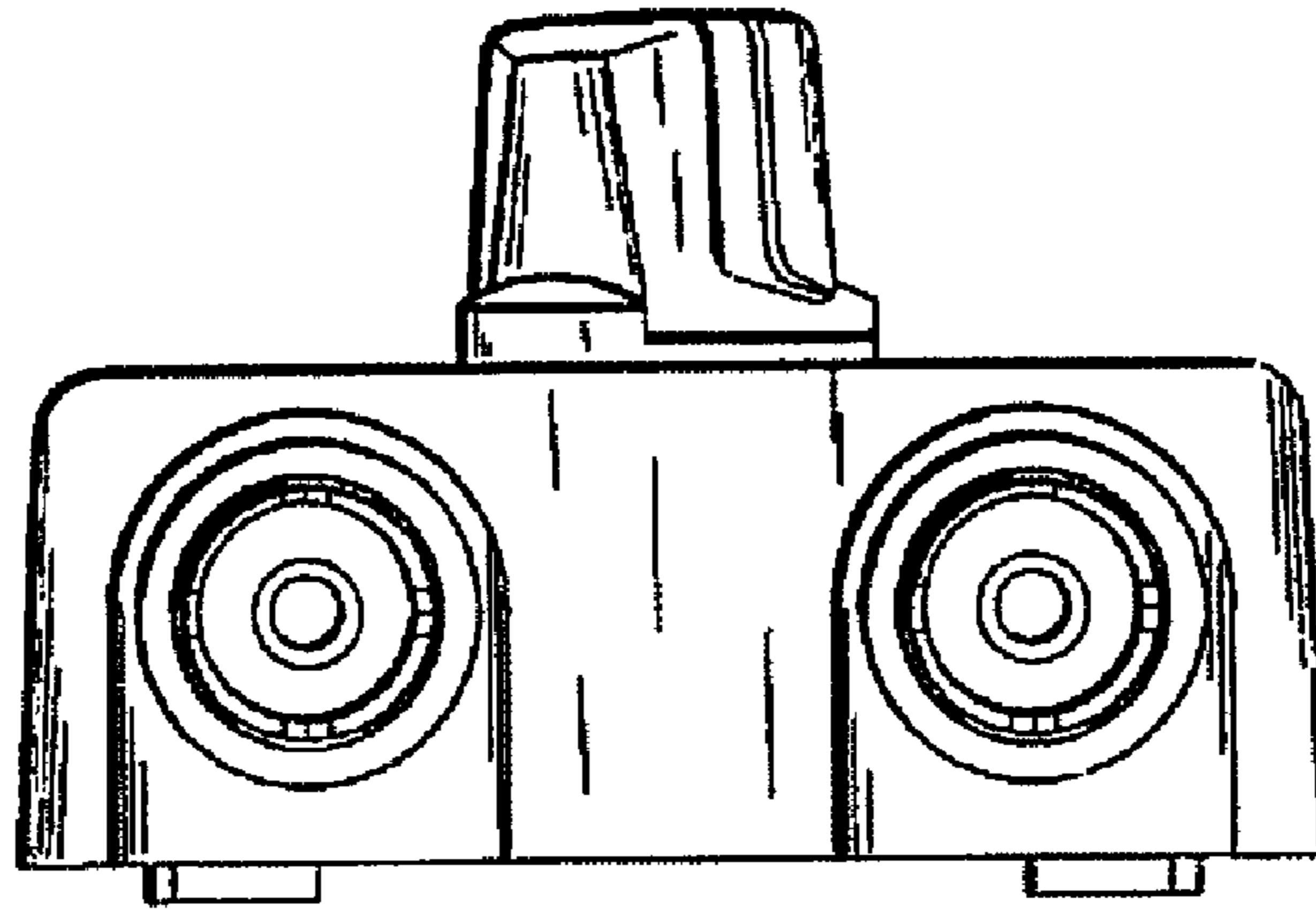


Fig. 2

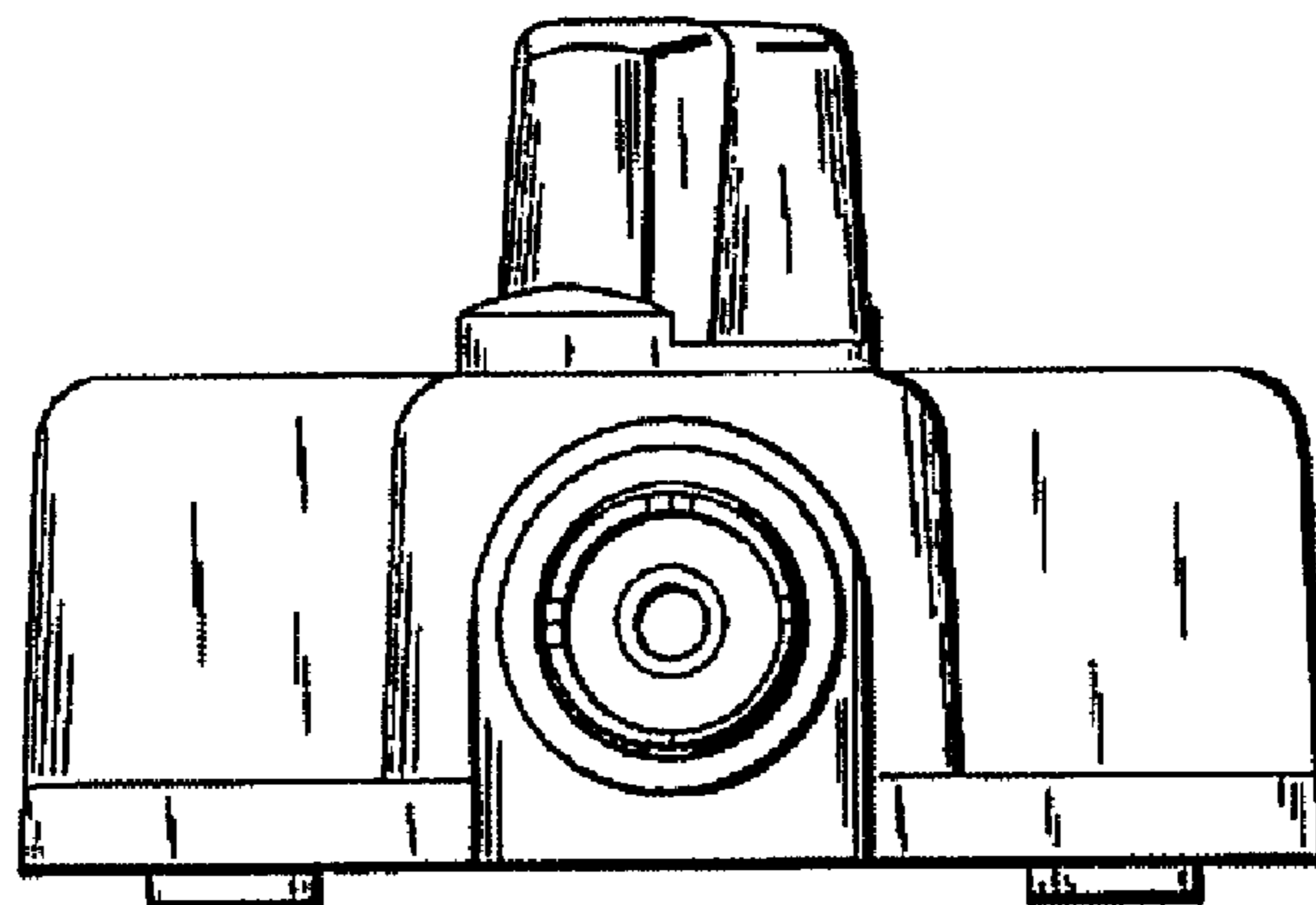


Fig. 3

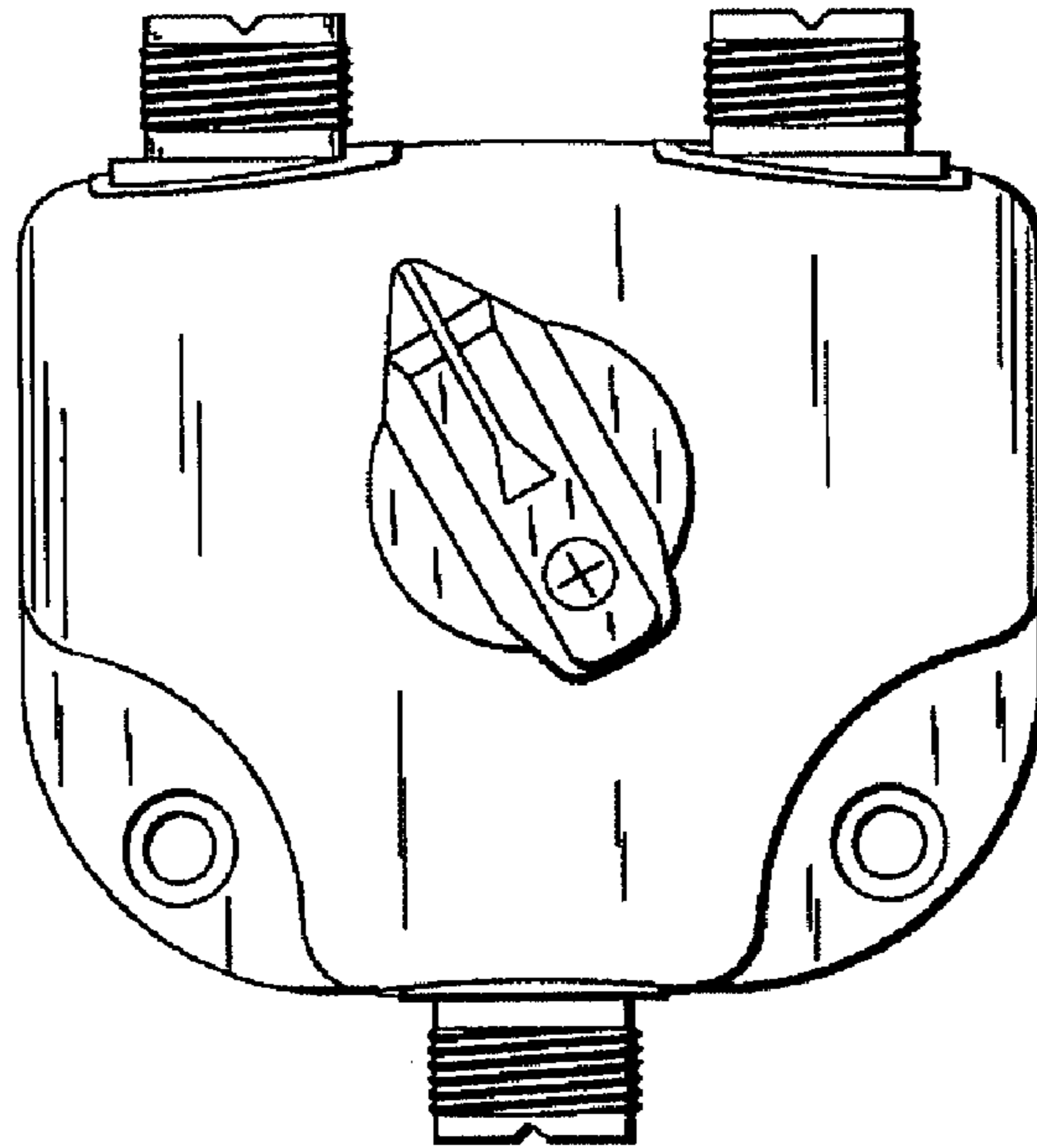


Fig. 4

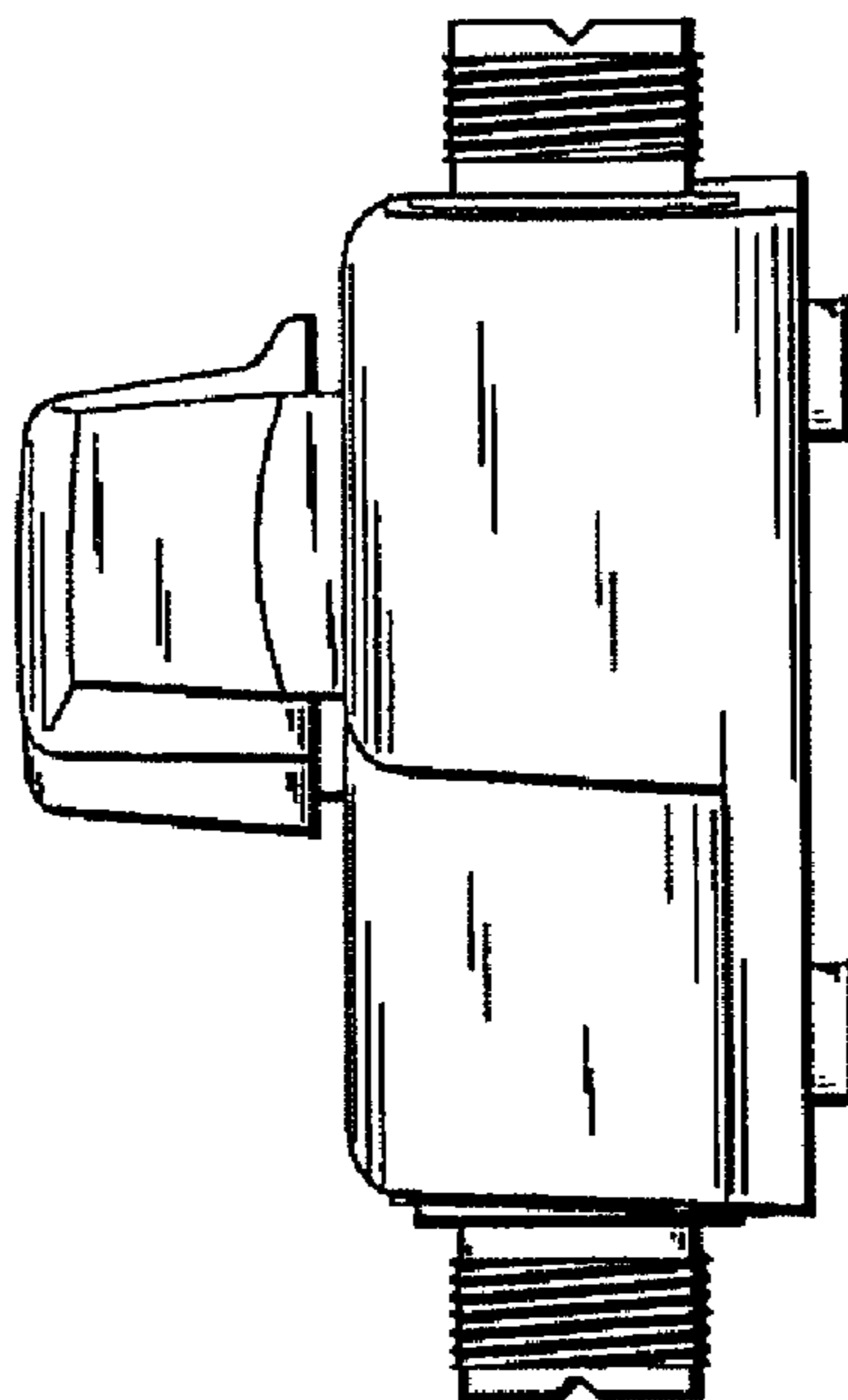


Fig. 5

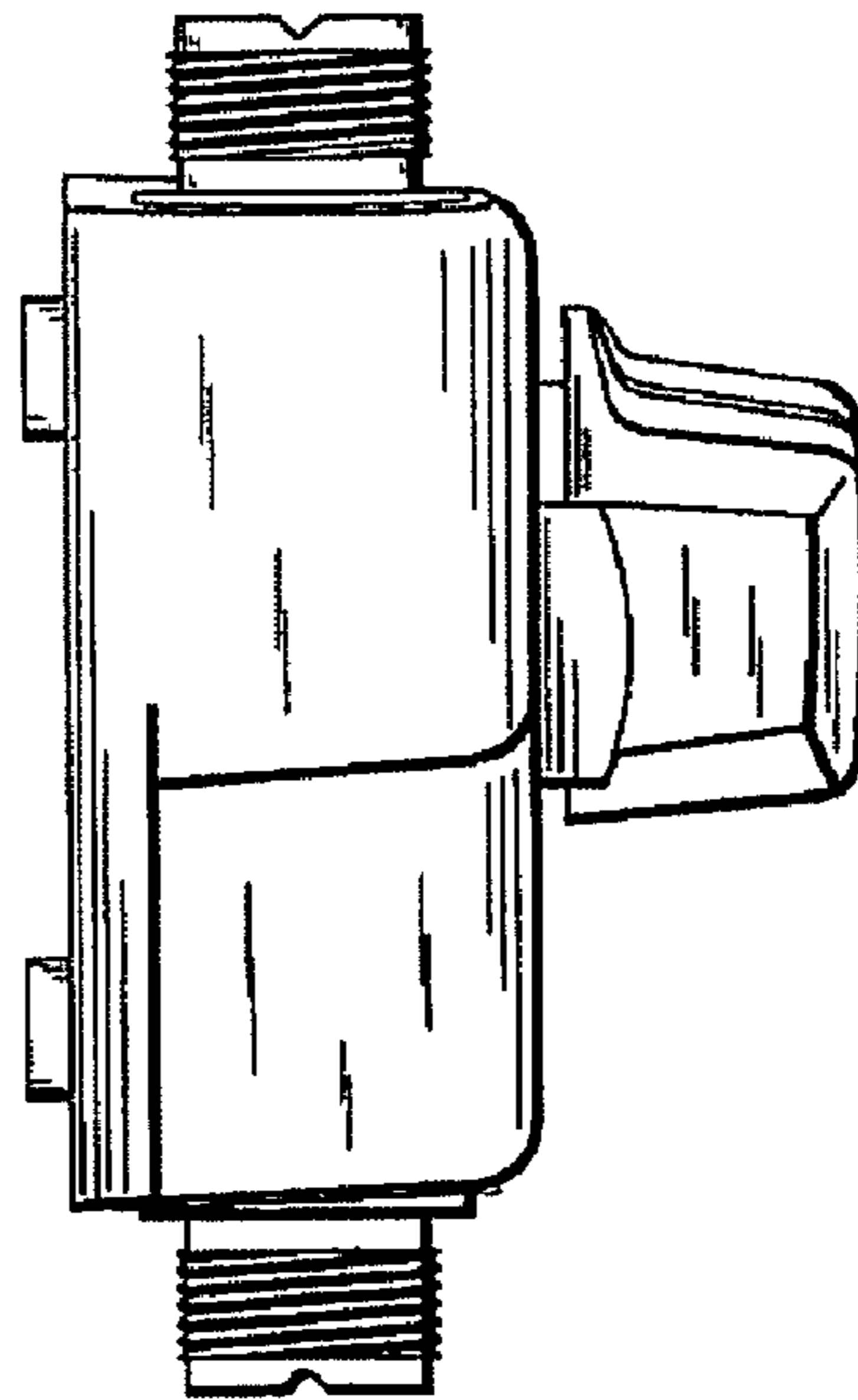


Fig. 6

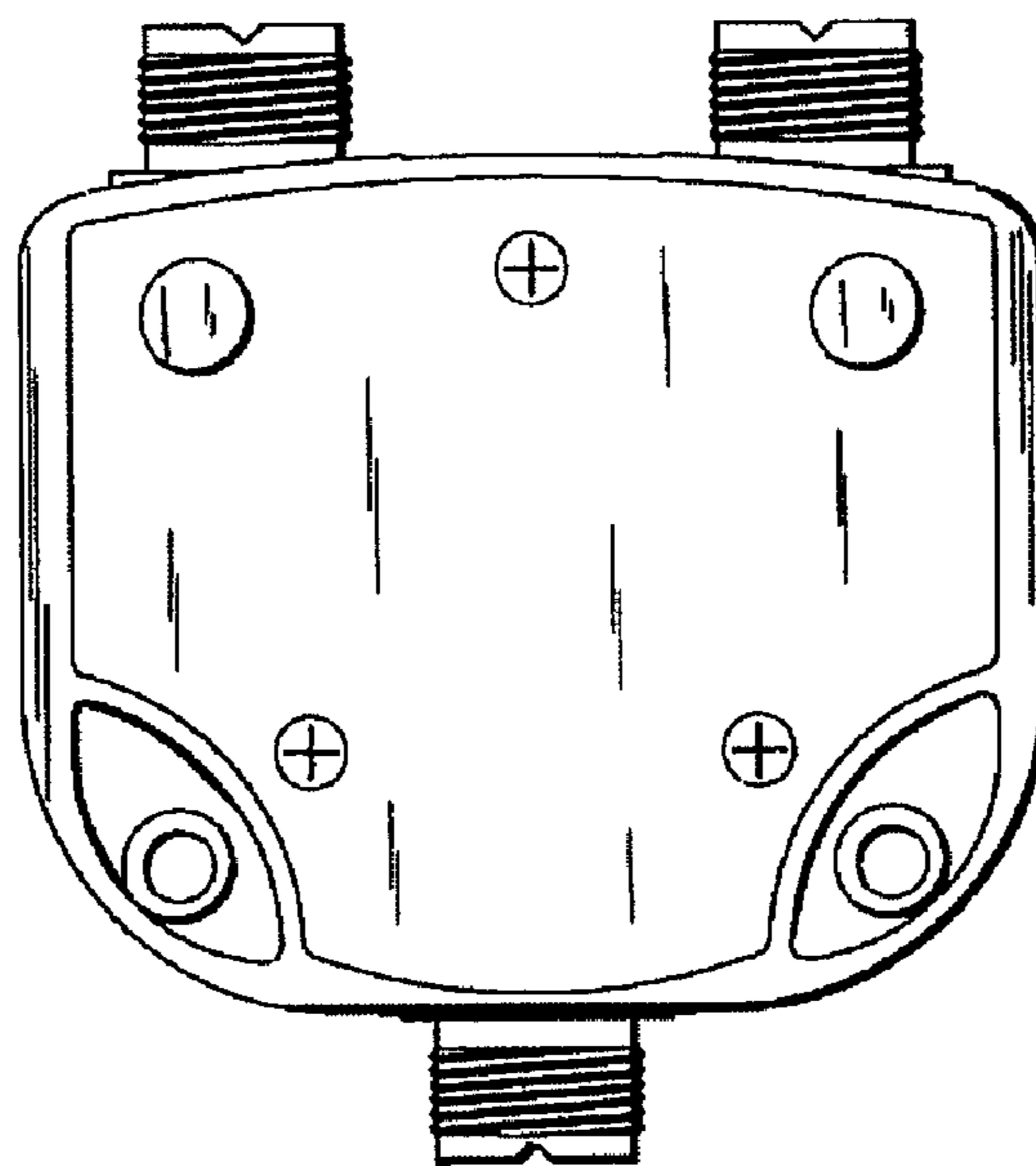


Fig. 7

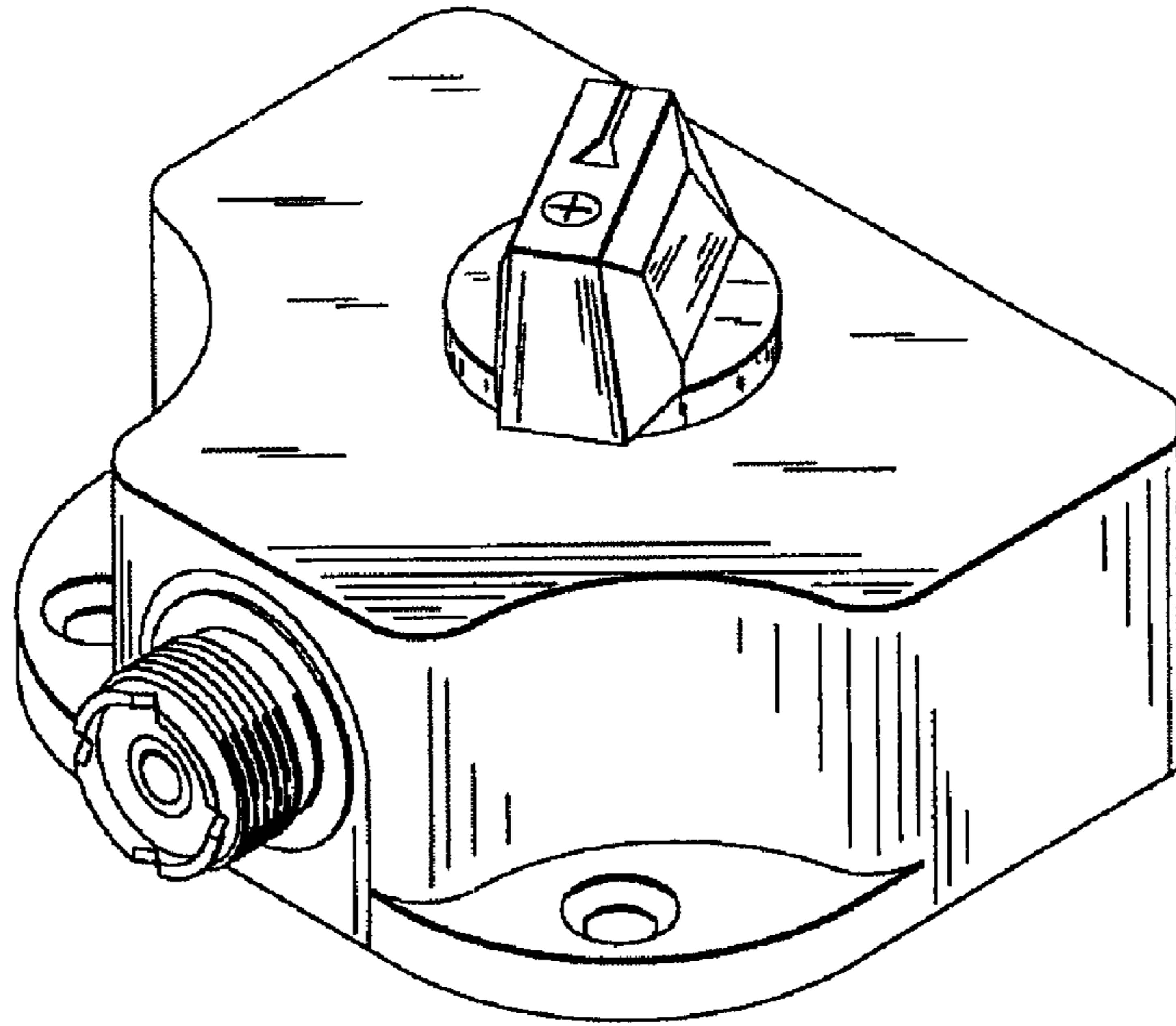


Fig. 8

