



US00D513495S

(12) **United States Design Patent**
Hull et al.

(10) **Patent No.:** **US D513,495 S**
(45) **Date of Patent:** **** Jan. 10, 2006**

(54) **ELECTRICAL OUTLET BOX**
(75) Inventors: **Eric G. Hull**, Madison, OH (US);
Charles H. Riedy, Lakewood, OH
(US); **Dennis P. Revlock, Sr.**, Medina,
OH (US)

(73) Assignee: **The Lamson & Sessions Co.**,
Cleveland, OH (US)

(**) Term: **14 Years**

(21) Appl. No.: **29/191,392**

(22) Filed: **Oct. 7, 2003**

(51) **LOC (8) Cl.** **13-03**

(52) **U.S. Cl.** **D13/152**

(58) **Field of Classification Search** D8/350-353;
D13/139.4, 139.5, 152-154, 156, 158, 173,
D13/184; 174/48, 50, 53-54, 58, 65 R, 66-67;
220/3.2, 3.3, 3.6, 3.8, 3.9, 4.02; 439/535,
439/536

See application file for complete search history.

(56) **References Cited**

U.S. PATENT DOCUMENTS

2,867,349 A * 1/1959 Parker, Jr. 220/3.3
D229,064 S * 11/1973 Powell D13/152
3,770,873 A * 11/1973 Brown 174/58
3,863,037 A * 1/1975 Schindler et al. 174/58

4,954,667 A * 9/1990 Jorgensen et al. 174/53
D331,040 S * 11/1992 Mielko D13/152
5,170,014 A * 12/1992 Borsh 174/53
5,833,110 A * 11/1998 Chandler et al. 220/3.9
D457,140 S * 5/2002 Roesch et al. D13/152
D462,664 S * 9/2002 Roesch et al. D13/152
2004/0123996 A1 * 7/2004 Lalancette et al. 174/50
2005/0072778 A1 * 4/2005 Hull et al. 220/3.2
2005/0092506 A1 * 5/2005 Hull et al. 174/50

* cited by examiner

Primary Examiner—Alan P. Douglas

Assistant Examiner—Rosemary Tarca

(74) *Attorney, Agent, or Firm*—Jones Day

(57) **CLAIM**

The ornamental design for an electrical outlet box, as shown and described.

DESCRIPTION

FIG. 1 is a perspective illustration of the electrical outlet box showing our new design;

FIG. 2 is a front view thereof;

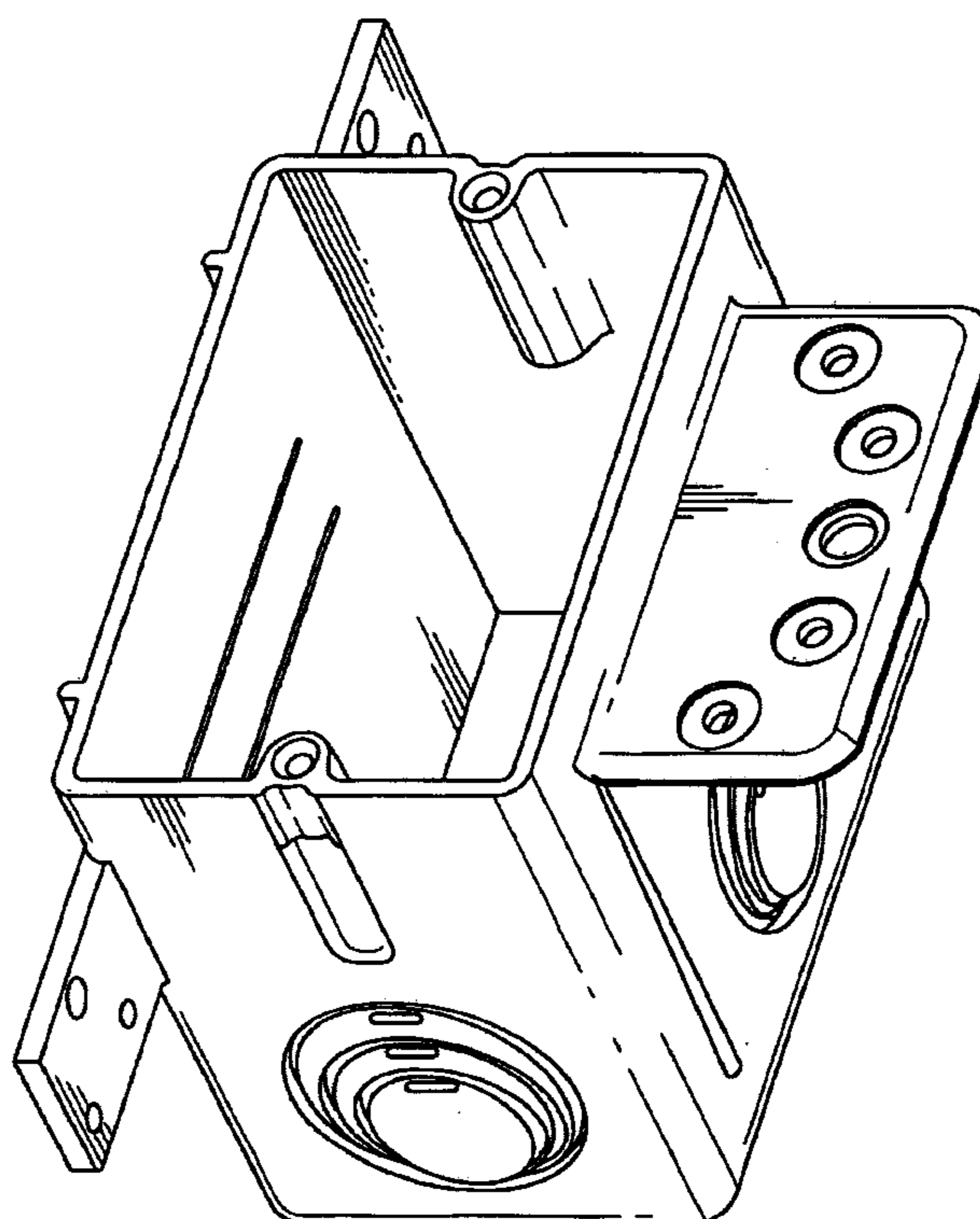
FIG. 3 is a rear view thereof;

FIG. 4 is a top view thereof, the bottom view being a mirror image thereof;

FIG. 5 is a view of one side thereof; and,

FIG. 6 is a view of the opposite side thereof.

1 Claim, 4 Drawing Sheets



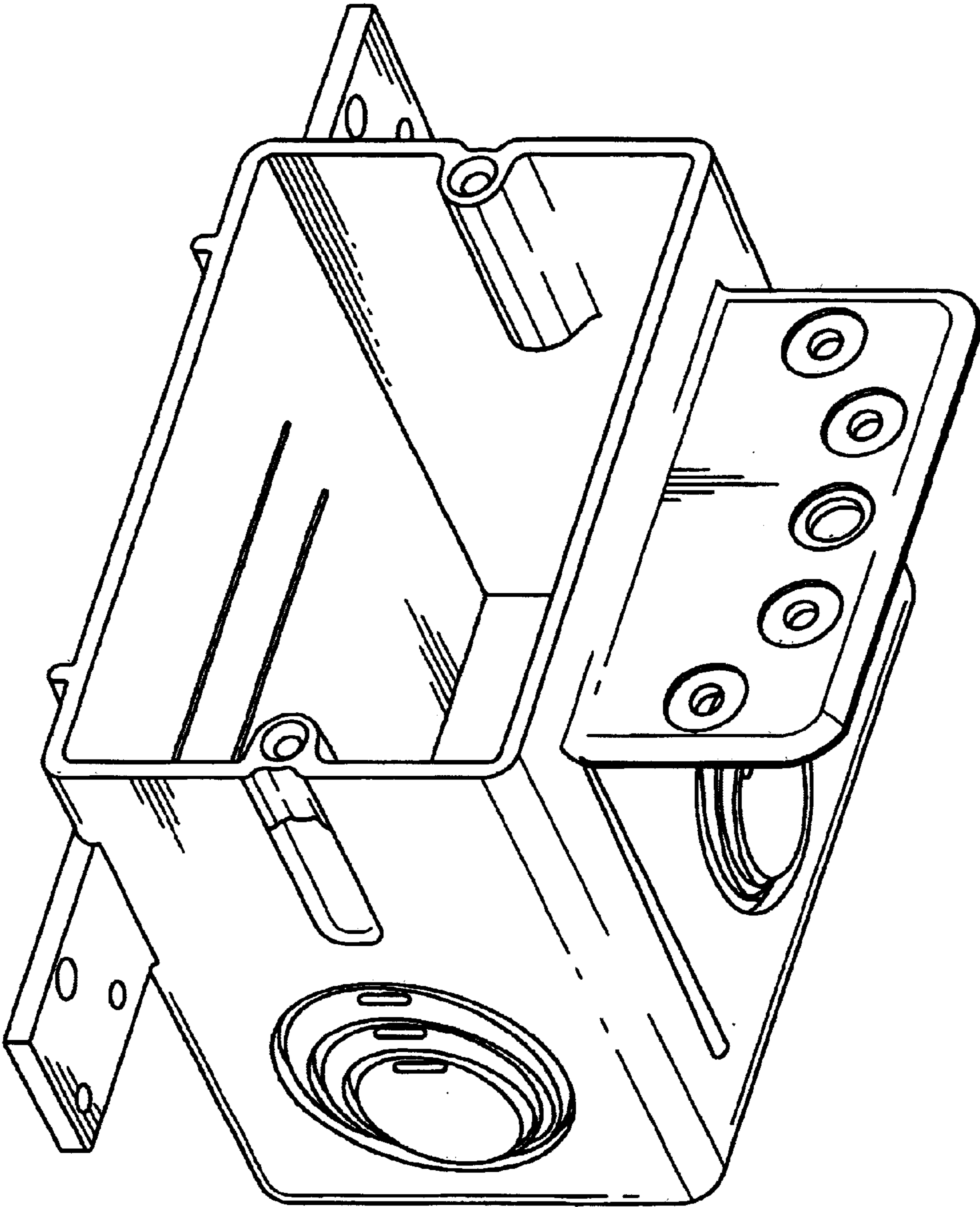


FIG. 1

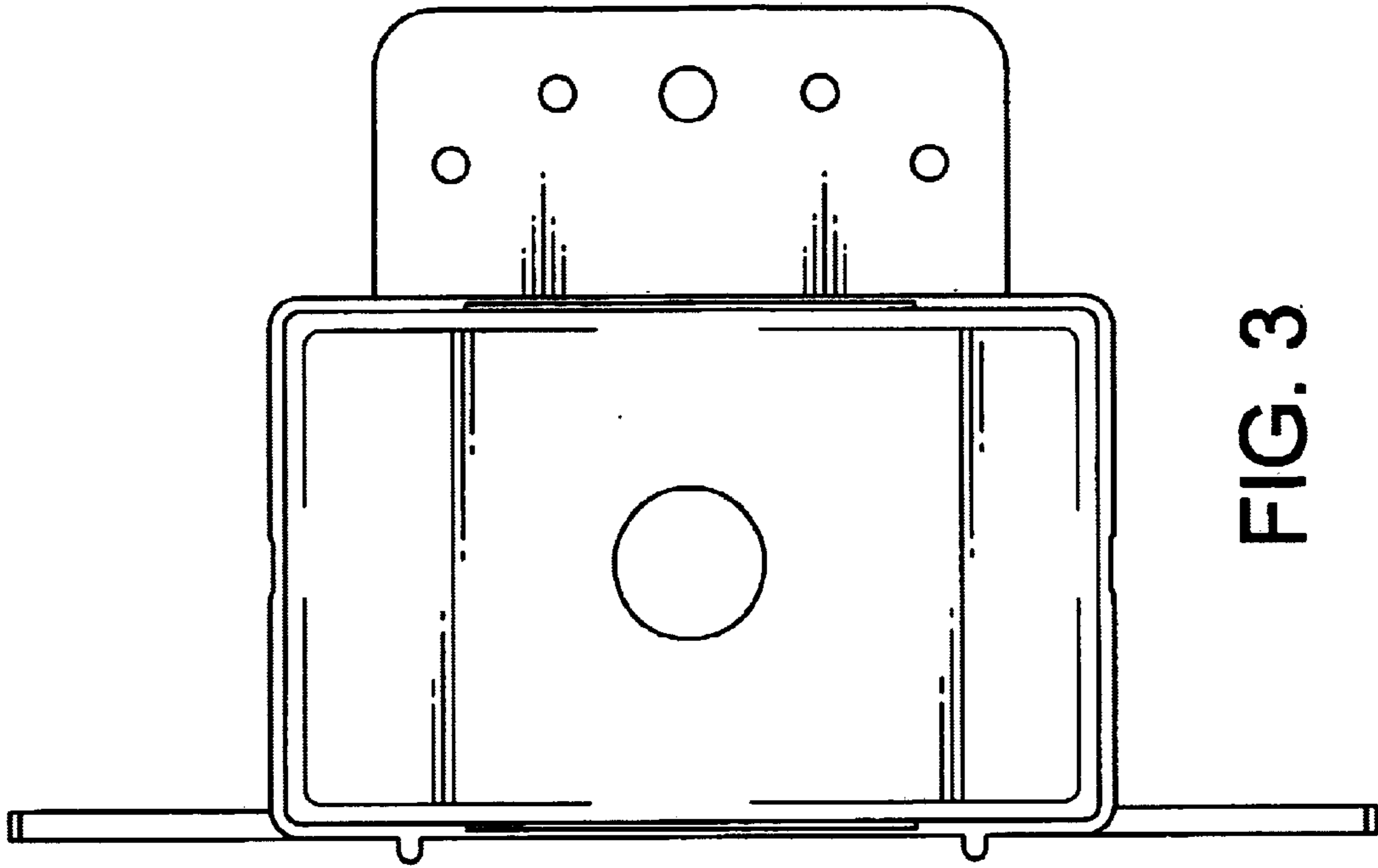


FIG. 3

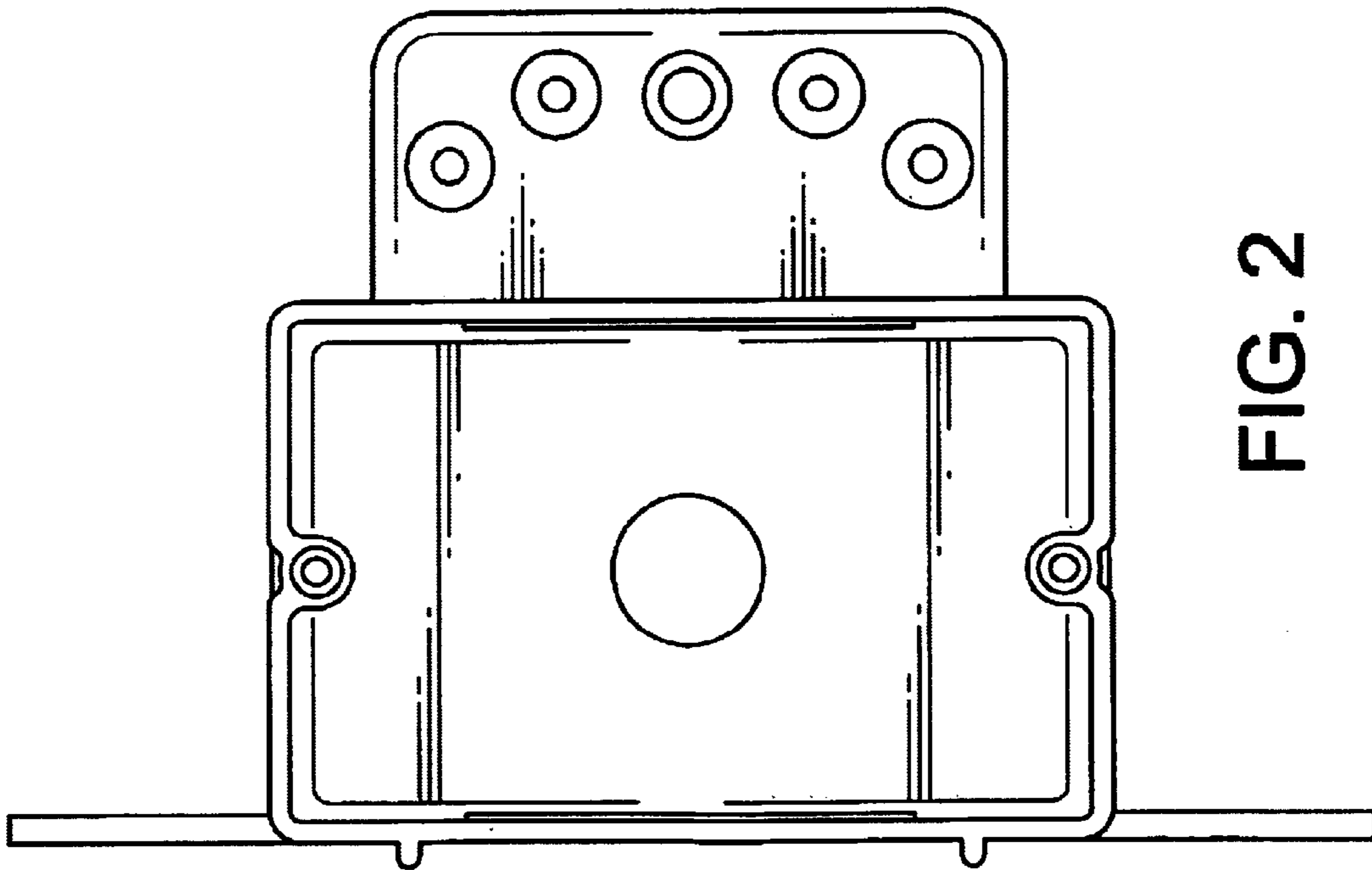


FIG. 2

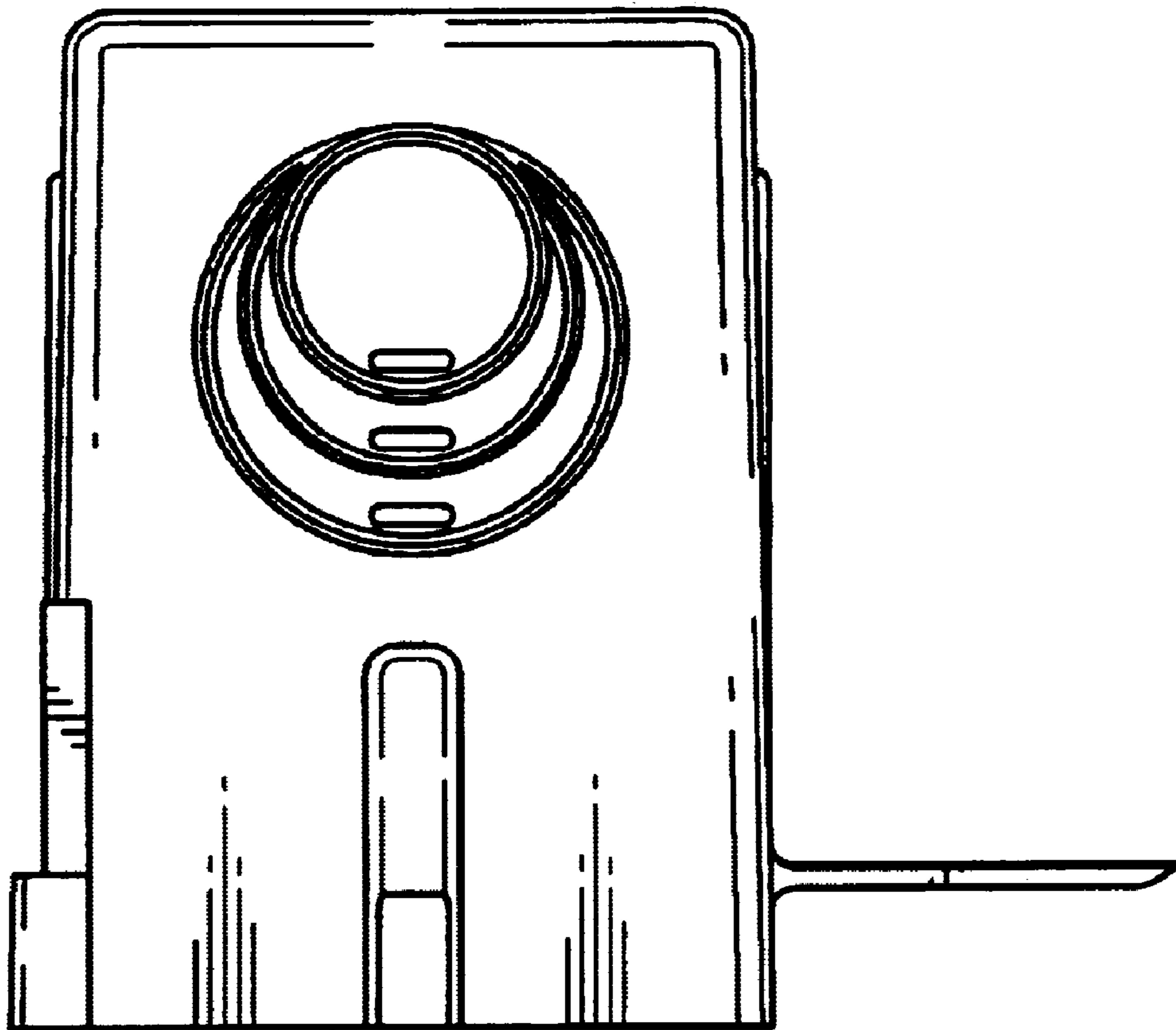


FIG. 4

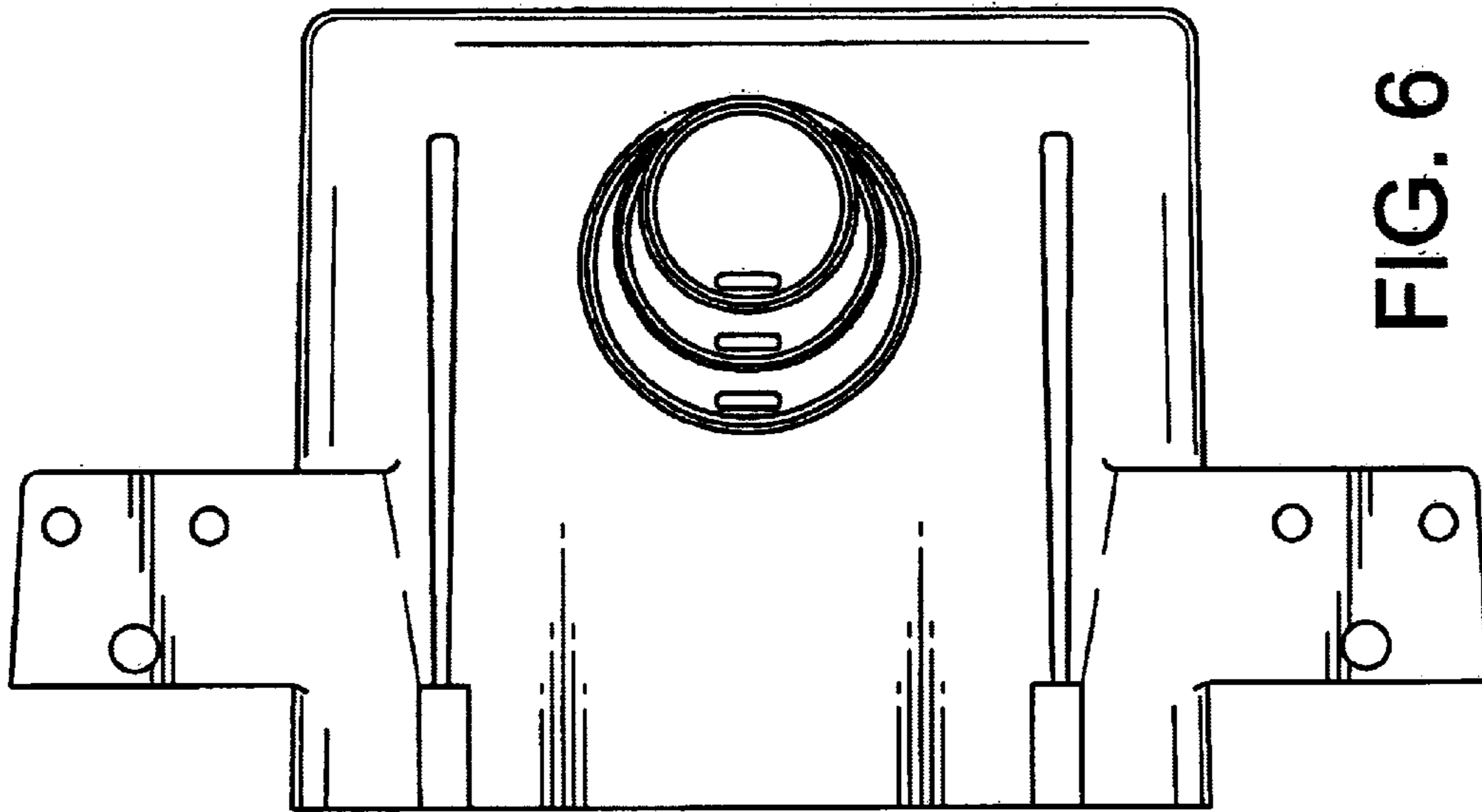


FIG. 6

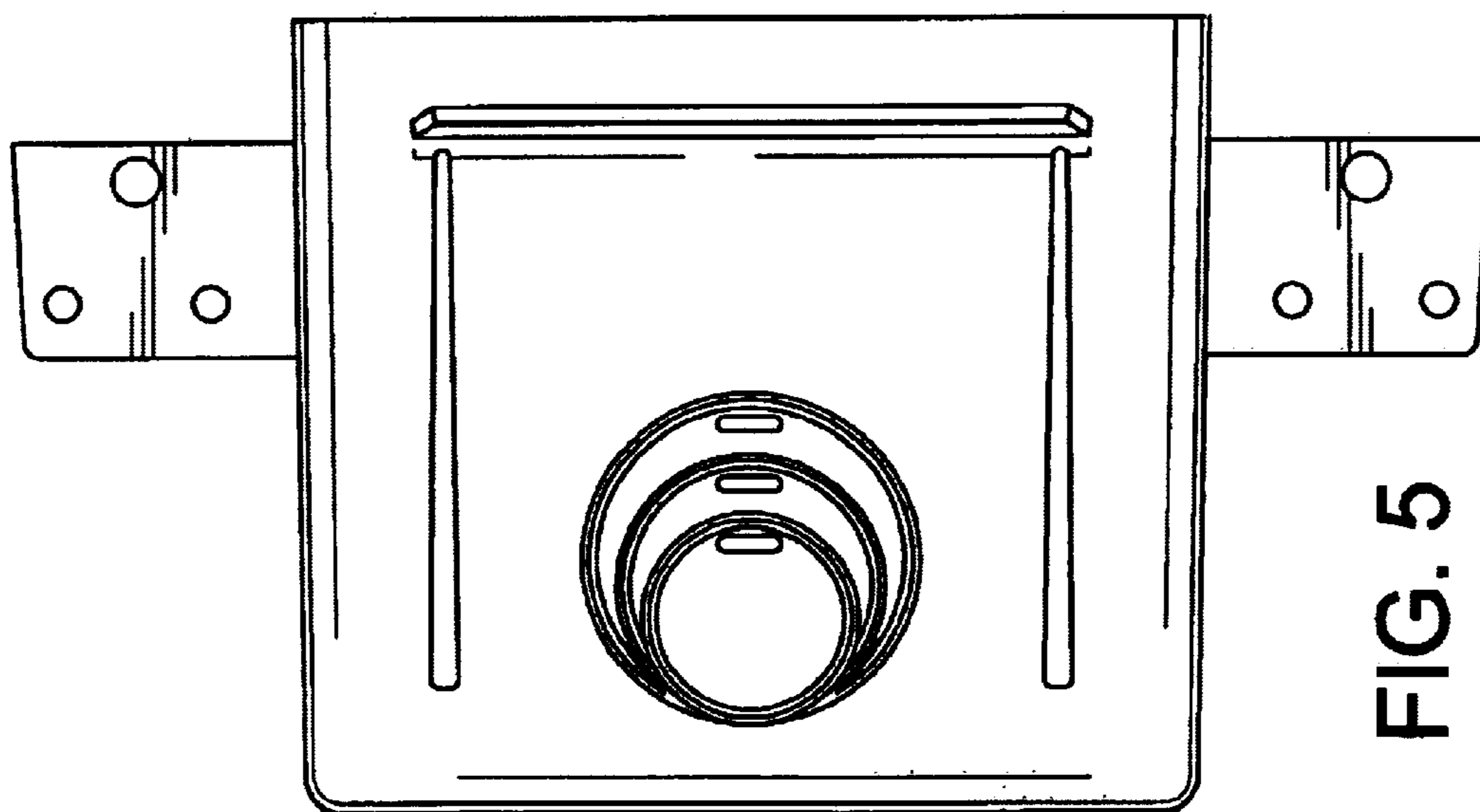


FIG. 5