



US00D513494S

(12) **United States Design Patent**
Huang

(10) **Patent No.:** **US D513,494 S**
(45) **Date of Patent:** **** Jan. 10, 2006**

(54) **ELECTRICAL CONNECTOR**
(75) **Inventor:** **Chien Hsun Huang, Tu-Chen (TW)**
(73) **Assignee:** **Hon Hai Precision Ind. Co., Ltd.,
Taipei Hsien (TW)**
(**) **Term:** **14 Years**

D455,127 S * 4/2002 Wu D13/147
6,478,603 B1 * 11/2002 Wu 439/378
D471,873 S * 3/2003 Kawase D13/147
D472,218 S * 3/2003 Shao D13/147
D489,687 S * 5/2004 Kawase et al. D13/147
D491,148 S * 6/2004 Zhao et al. D13/147
D491,528 S * 6/2004 Fan D13/147
D500,740 S * 1/2005 Fan D13/147

* cited by examiner

(21) **Appl. No.:** **29/216,636**
(22) **Filed:** **Nov. 4, 2004**
(30) **Foreign Application Priority Data**

Primary Examiner—Stella Reid
Assistant Examiner—Daniel Bui
(74) *Attorney, Agent, or Firm*—Wei Te Chung

Jun. 4, 2004 (TW) 93303312

(57) **CLAIM**

(51) **LOC (8) Cl.** **13-03**
(52) **U.S. Cl.** **D13/147**
(58) **Field of Classification Search** D13/146–147,
D13/184, 199; 439/74, 79, 82, 101, 108,
439/181, 378, 495, 637–638, 680, 910
See application file for complete search history.

The ornamental design for an electrical connector, as shown.

DESCRIPTION

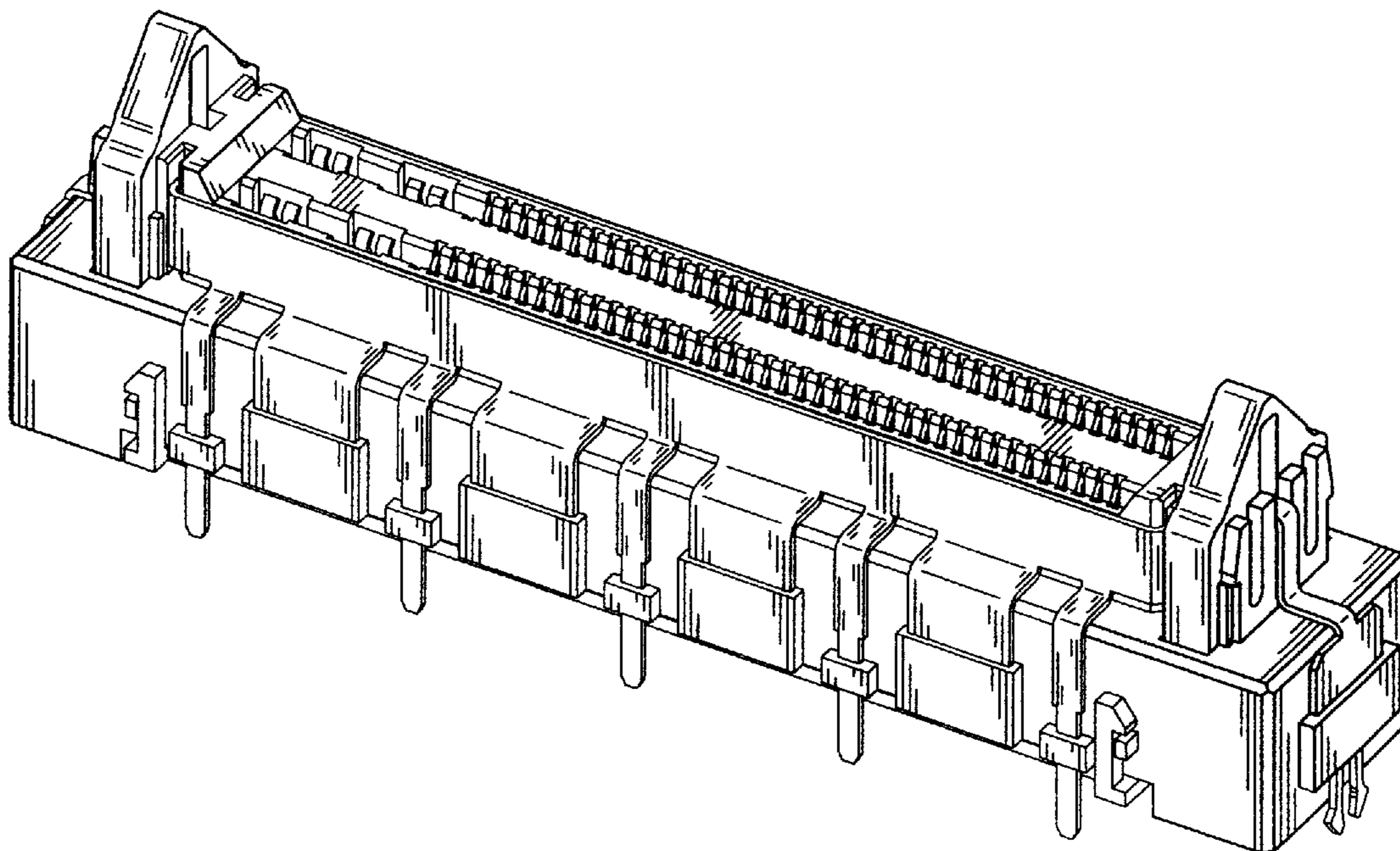
(56) **References Cited**

FIG. 1 is a perspective view of an electrical connector showing my new design;
FIG. 2 is a front elevational view thereof;
FIG. 3 is a rear elevational view thereof;
FIG. 4 is a left side elevational view thereof;
FIG. 5 is a right side elevational view thereof;
FIG. 6 is a top plan view thereof; and,
FIG. 7 is a bottom plan view thereof.

U.S. PATENT DOCUMENTS

5,356,300 A * 10/1994 Costello et al. 439/101
5,547,385 A * 8/1996 Spangler 439/101
6,331,122 B1 * 12/2001 Wu 439/567

1 Claim, 6 Drawing Sheets



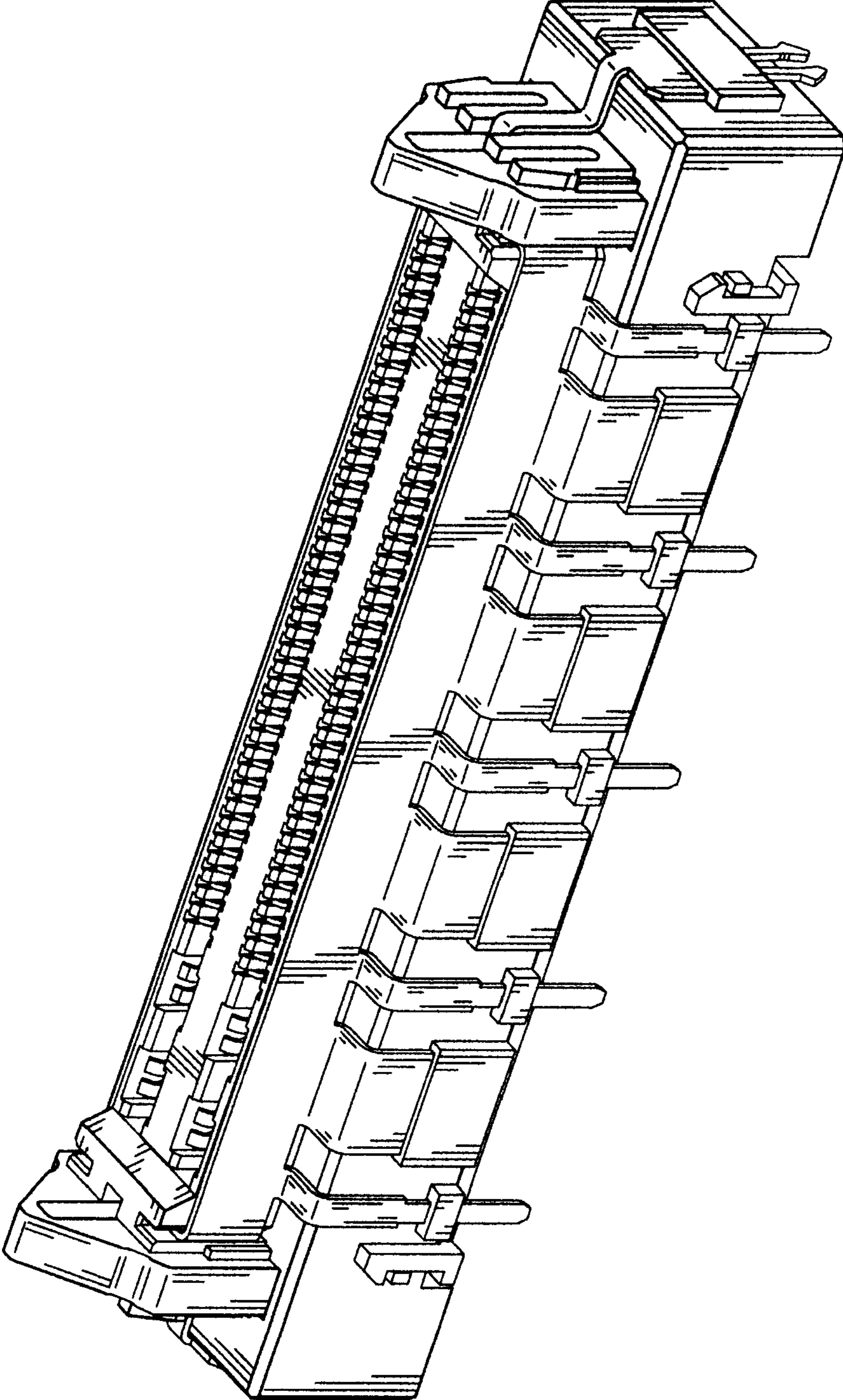


FIG.1

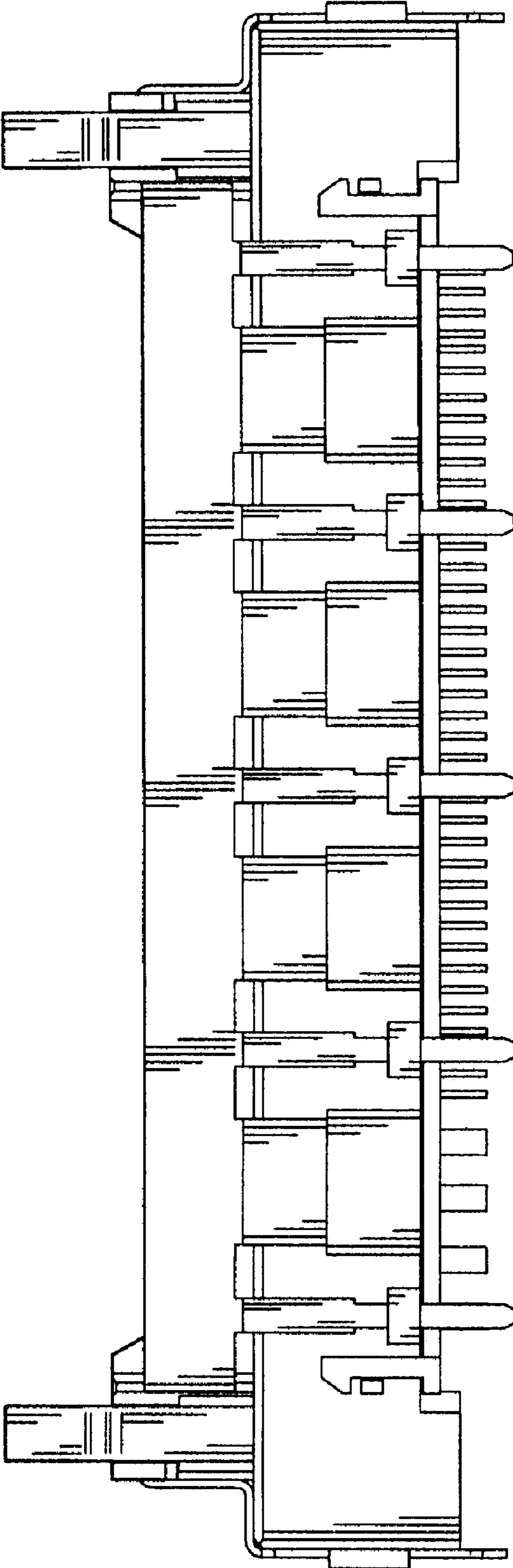


FIG. 2

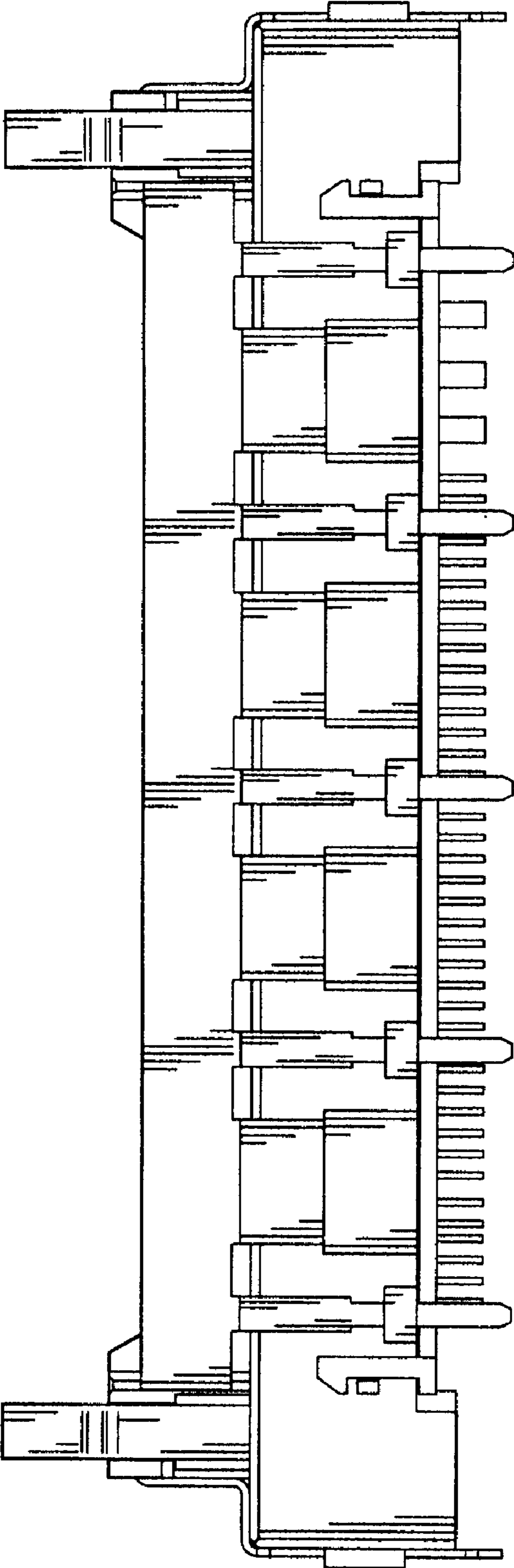


FIG. 3

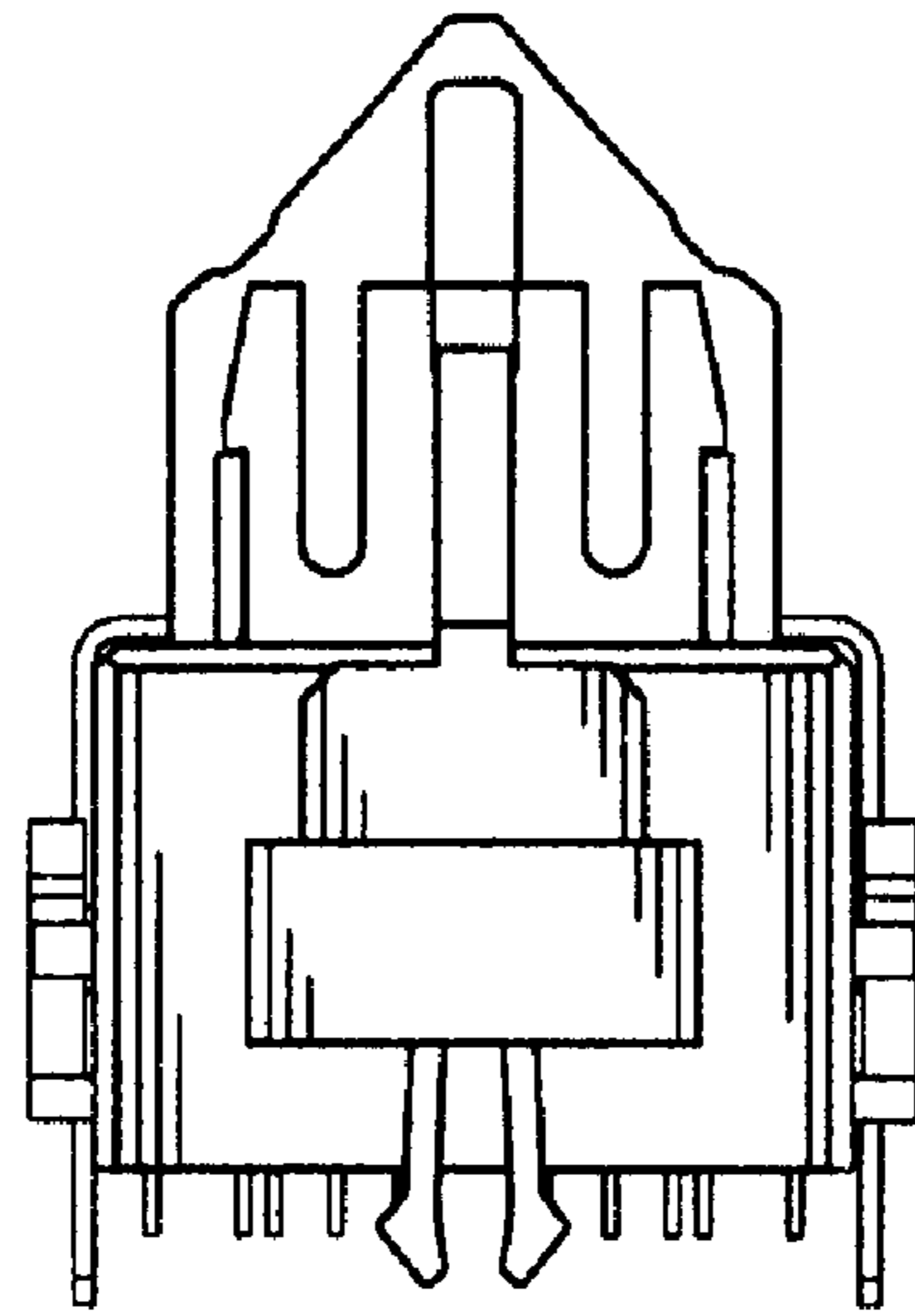


FIG. 4

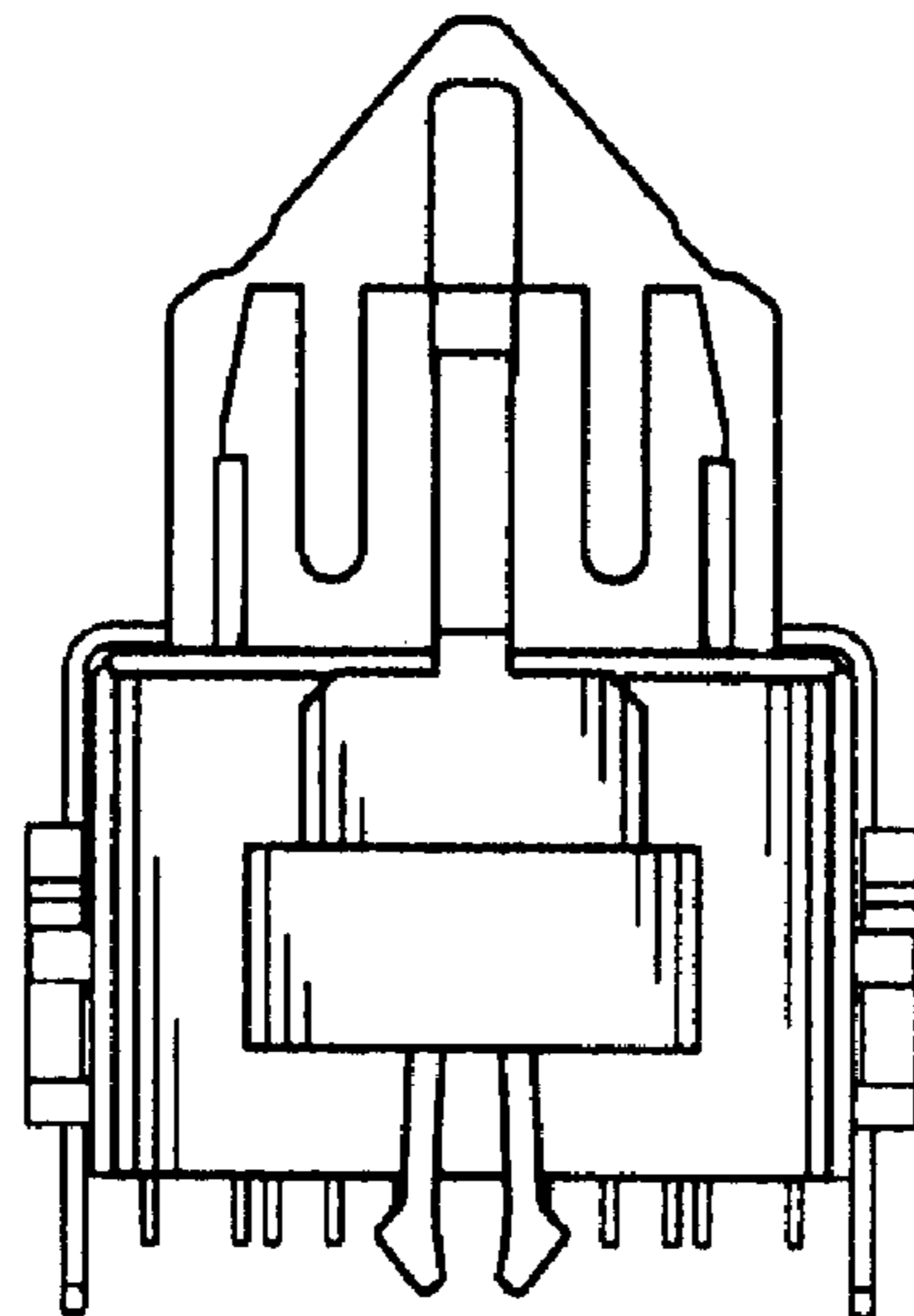


FIG. 5

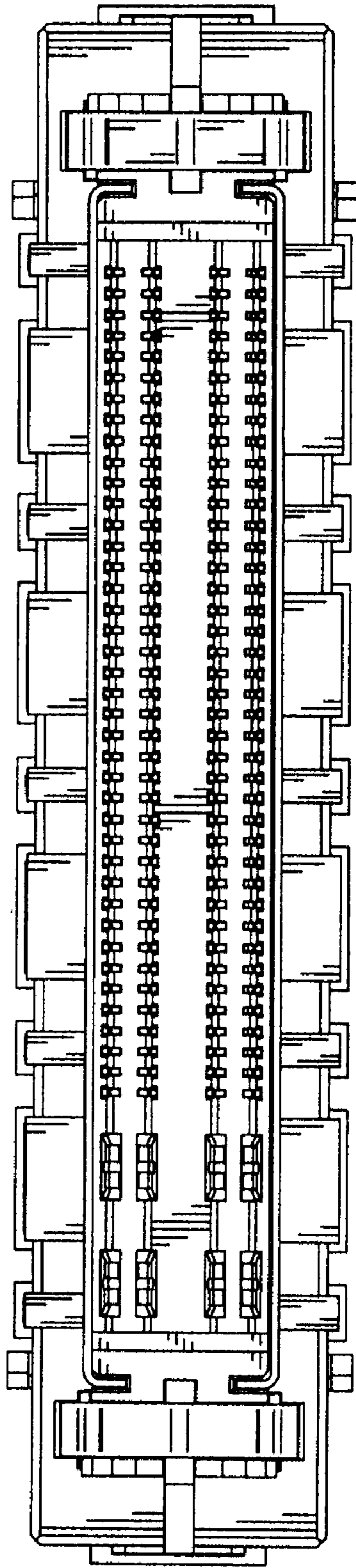


FIG. 6

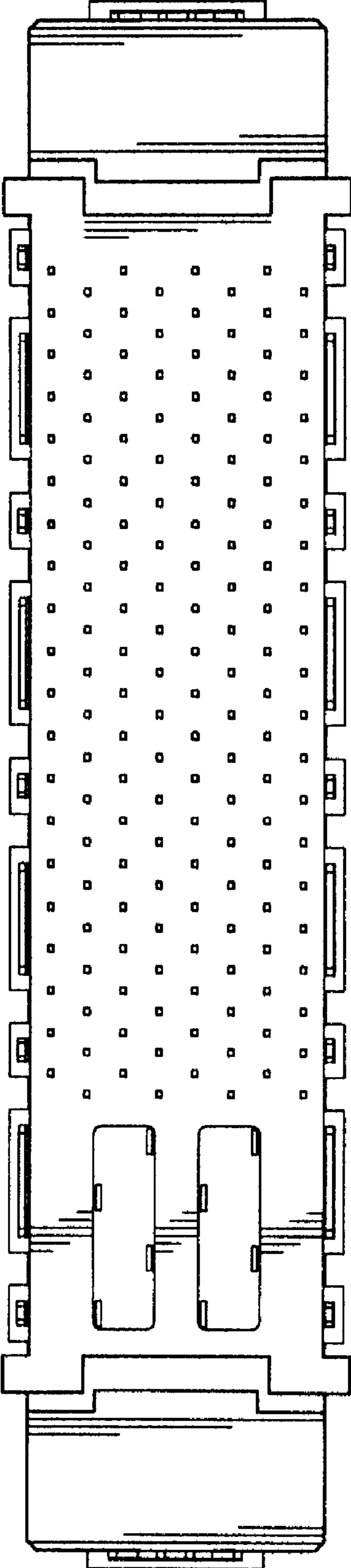


FIG. 7