

US00D513493S

(12) **United States Design Patent** (10) **Patent No.:** **US D513,493 S**
Feldstein et al. (45) **Date of Patent:** **** Jan. 10, 2006**

(54) **QUICK MEDIA TABLETOP MEDIA CENTER**

2004/0147147 A1 * 7/2004 Griepentrog 439/131

(75) Inventors: **George Feldstein**, Cresskill, NJ (US);
Stan Wisniewski, Pompton Plains, NJ (US)

* cited by examiner

Primary Examiner—Alan P. Douglas

Assistant Examiner—Rosemary Tarcza

(74) *Attorney, Agent, or Firm*—Richard A. Joel, Esq.

(73) Assignee: **Crestron Electronics, Inc.**, Rockleigh, NJ (US)

(57) **CLAIM**

(**) Term: **14 Years**

The ornamental design for a quick media tabletop media center, as shown and described.

(21) Appl. No.: **29/193,379**

DESCRIPTION

(22) Filed: **Nov. 7, 2003**

(51) **LOC (8) Cl.** **13-03**

(52) **U.S. Cl.** **D13/139.4**

(58) **Field of Classification Search** D13/162,
D13/164, 139.4, 139.6; D14/217, 218; 361/627,
361/628, 631, 643, 644, 673; 439/131, 135,
439/142

FIG. 1 is a perspective view of the tabletop unit showing the embodiment of the invention;

FIG. 2 is perspective view of the embodiment of FIG. 1 with the top cover in a closed position and mounted into a table;

FIG. 3 is a top view of the embodiment of FIG. 1 with the top cover in a closed position;

FIG. 4 is a top view of the embodiment of FIG. 1 with the top cover in an open position;

FIG. 5 is a right side view comprising the embodiment of FIG. 1;

FIG. 6 is a front view of the embodiment of FIG. 1 with the tabletop removed and the top cover in an open position;

FIG. 7 is a front view of the embodiment of FIG. 1 with the tabletop and the front face of the housing removed exposing the cable retention kit; and,

FIG. 8 is a bottom view comprising the embodiment of FIG. 1.

The broken line showing of the tabletop in FIGS. 1–2 is for illustrative purposes only and forms no part of the claimed design.

See application file for complete search history.

(56) **References Cited**

U.S. PATENT DOCUMENTS

| | | | | | | |
|-----------|---|---|---------|-----------------|-------|-----------|
| 3,992,070 | A | * | 11/1976 | Dunn et al. | | 49/345 |
| 5,122,069 | A | * | 6/1992 | Brownlie et al. | | 439/131 |
| D353,363 | S | * | 12/1994 | Toby | | D13/139.4 |
| D357,917 | S | * | 5/1995 | Ito et al. | | D14/218 |
| 5,980,279 | A | * | 11/1999 | Muller | | 439/142 |
| D421,961 | S | * | 3/2000 | Muller | | D13/139.4 |
| D437,827 | S | * | 2/2001 | Gershfeld | | D13/139.4 |
| D460,736 | S | * | 7/2002 | Pincek et al. | | D13/139.4 |
| D465,201 | S | * | 11/2002 | Gershfeld | | D13/139.4 |
| D473,525 | S | * | 4/2003 | Pincek et al. | | D13/162 |

1 Claim, 4 Drawing Sheets

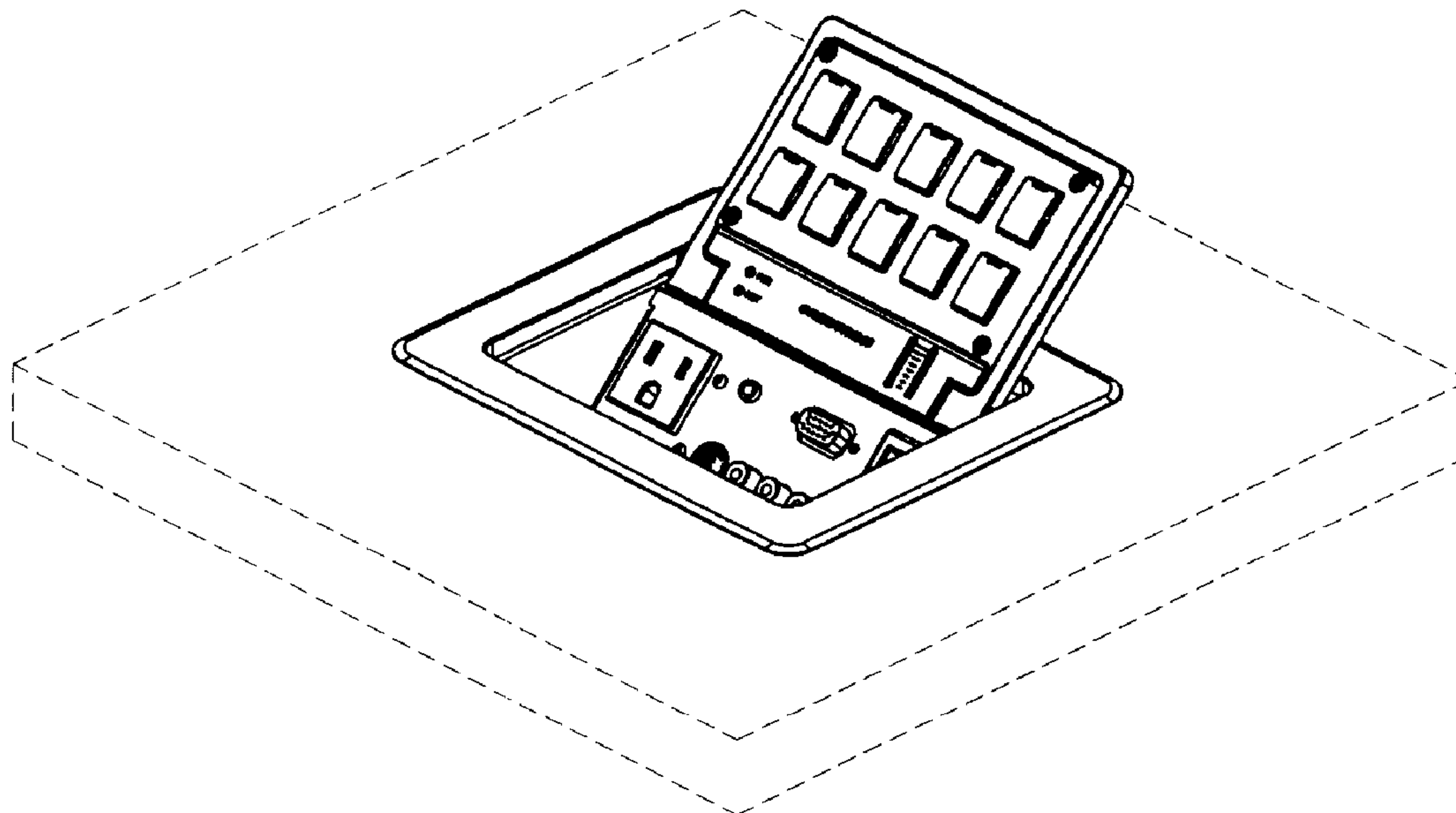


Figure 1

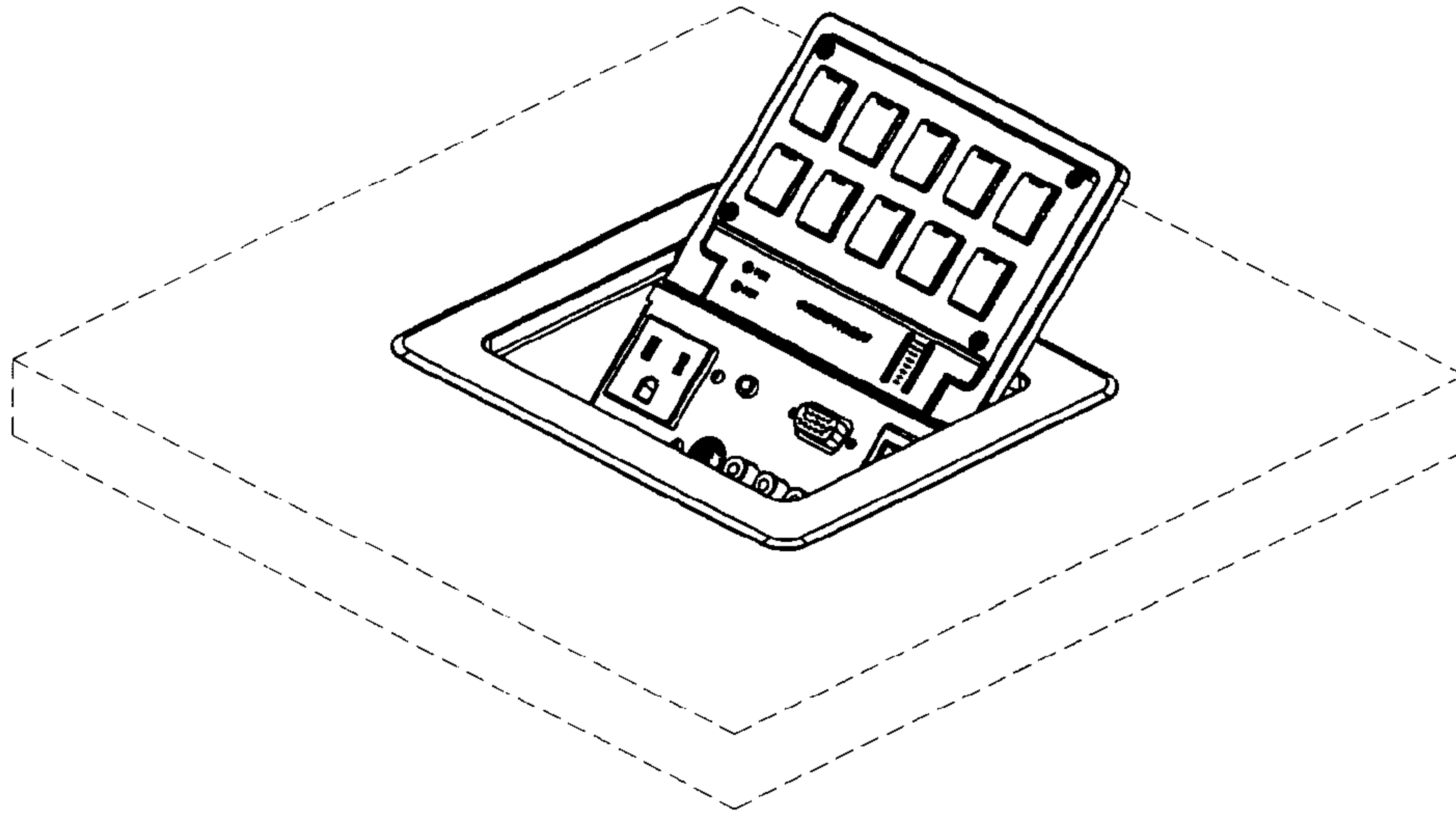


Figure 2

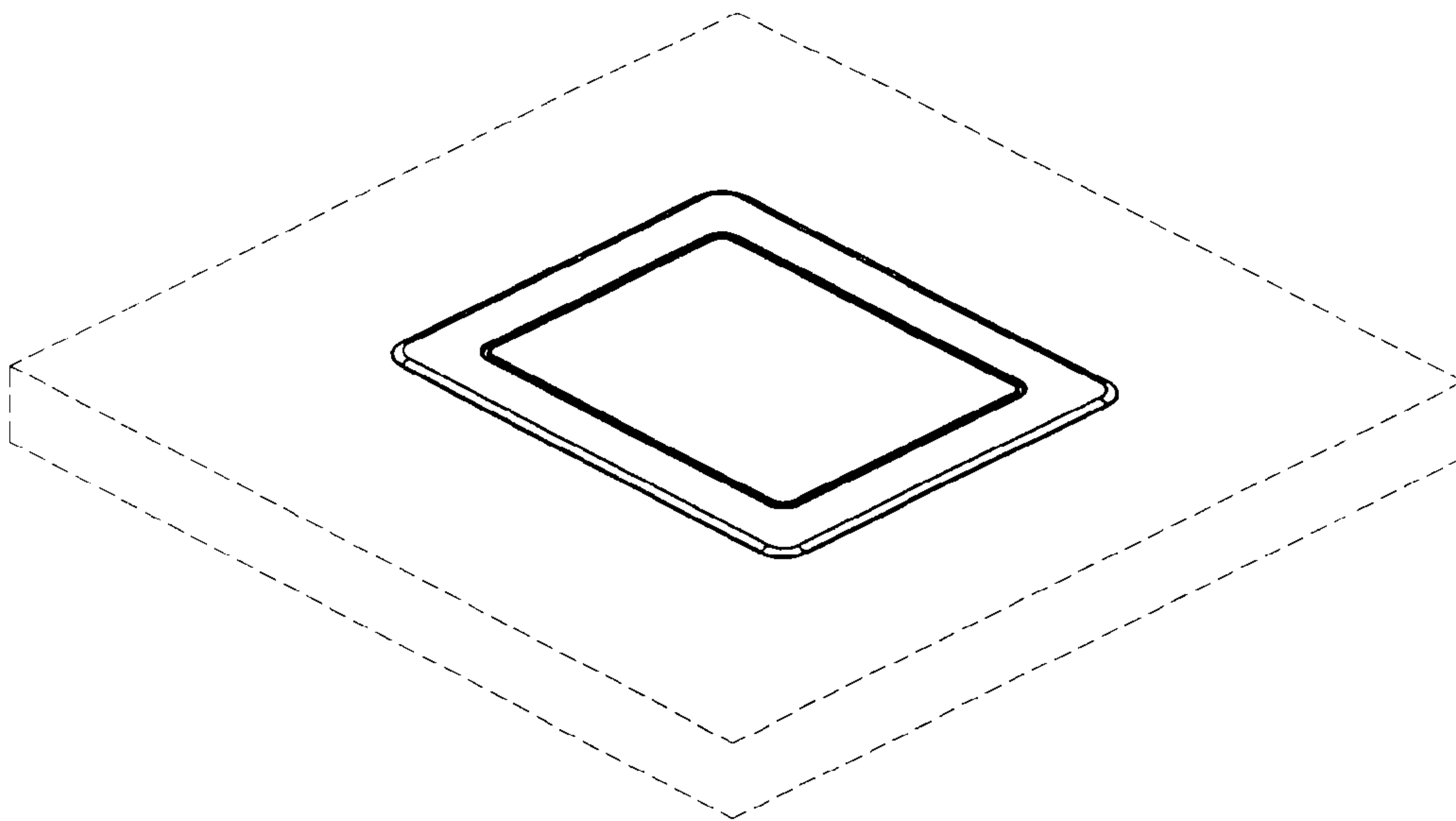


Figure 3

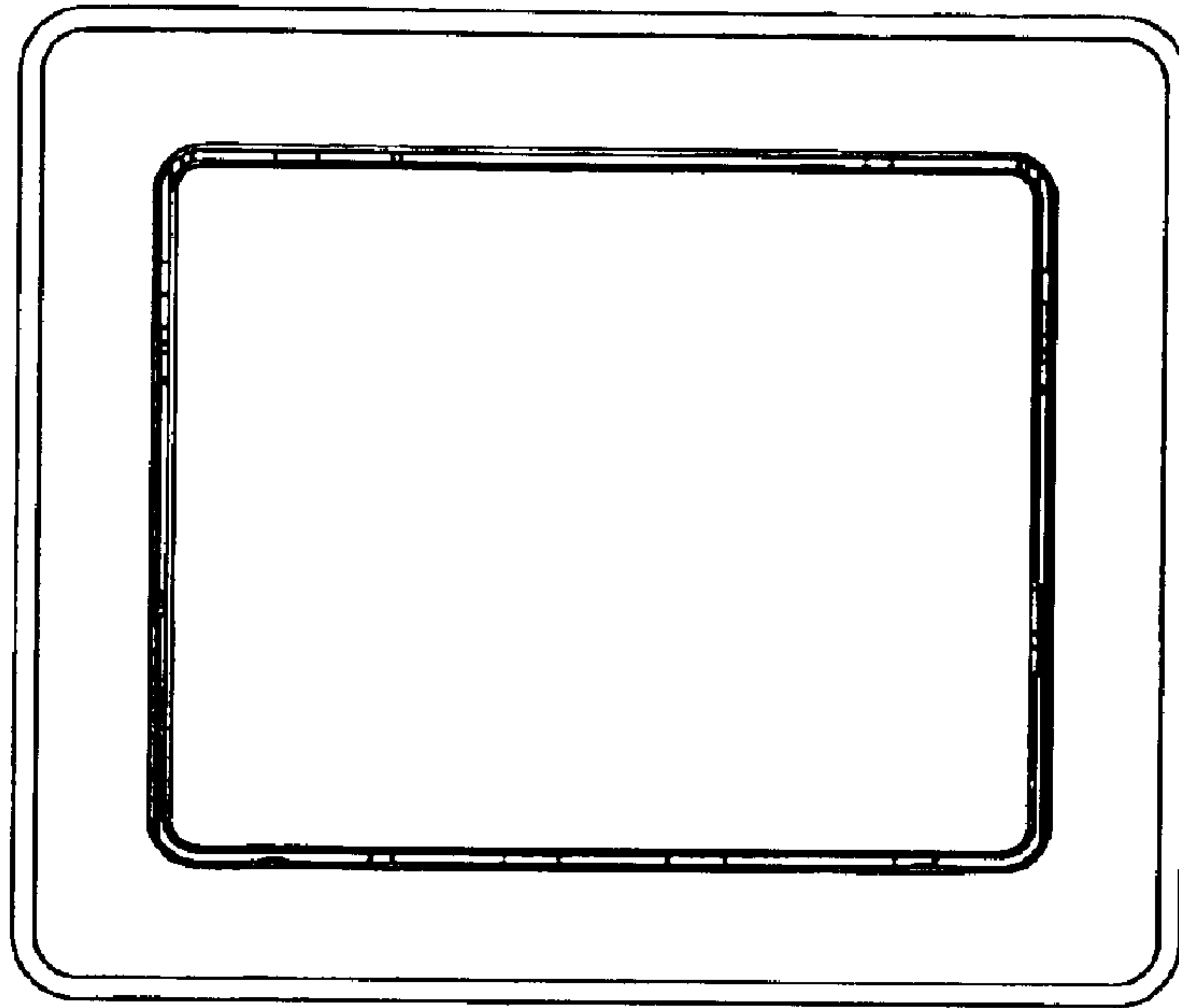


Figure 4

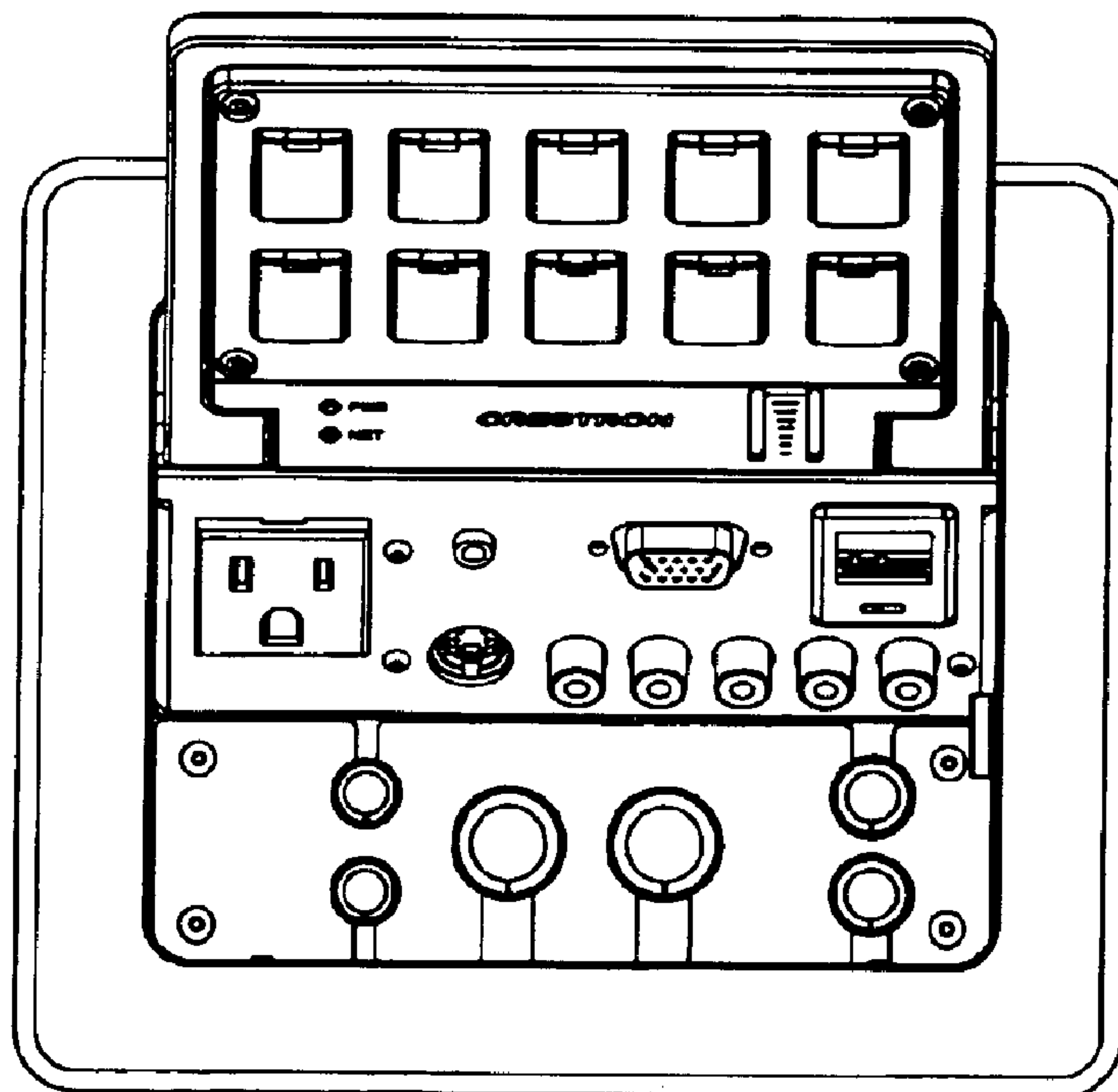


Figure 5

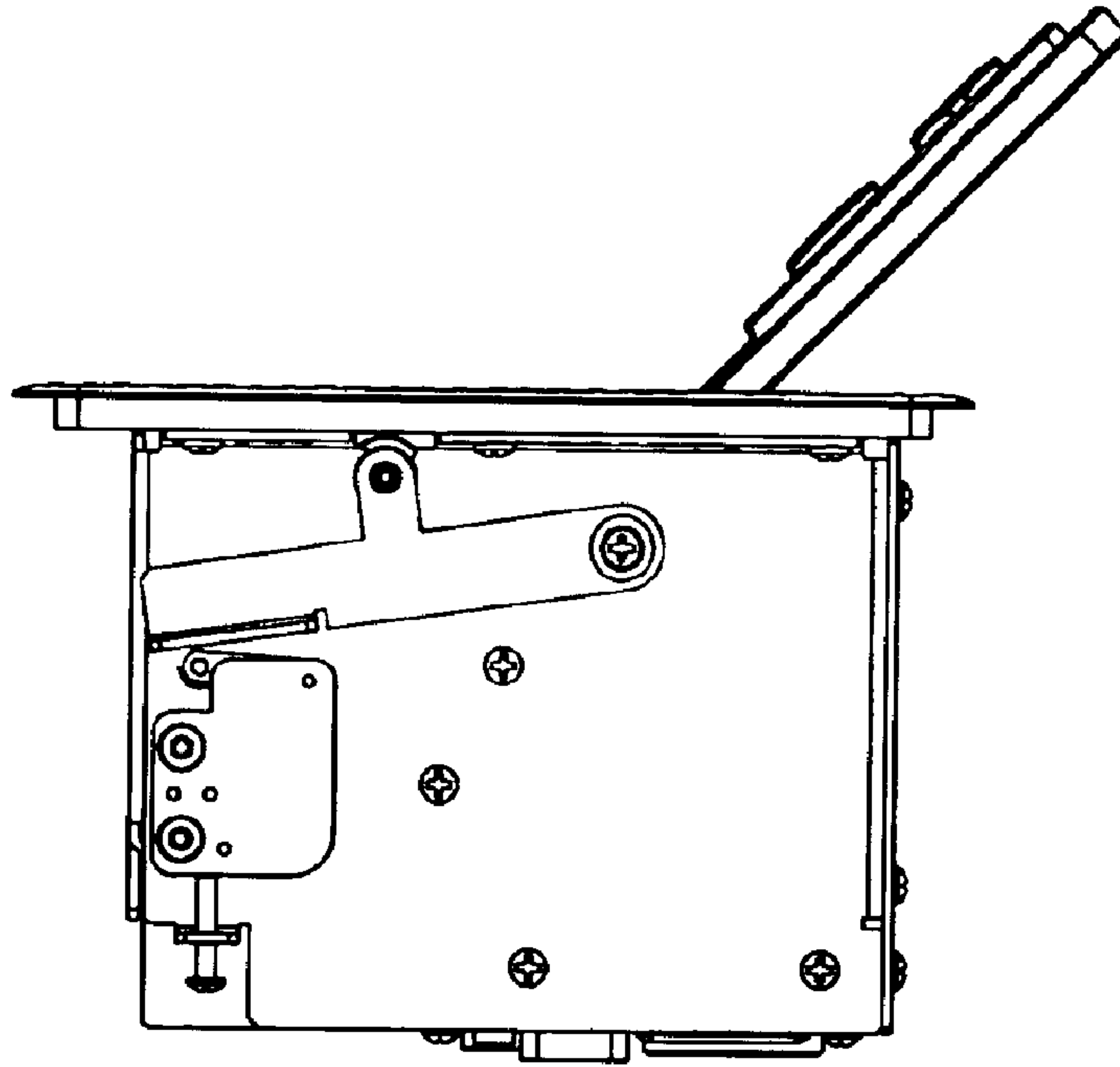


Figure 6

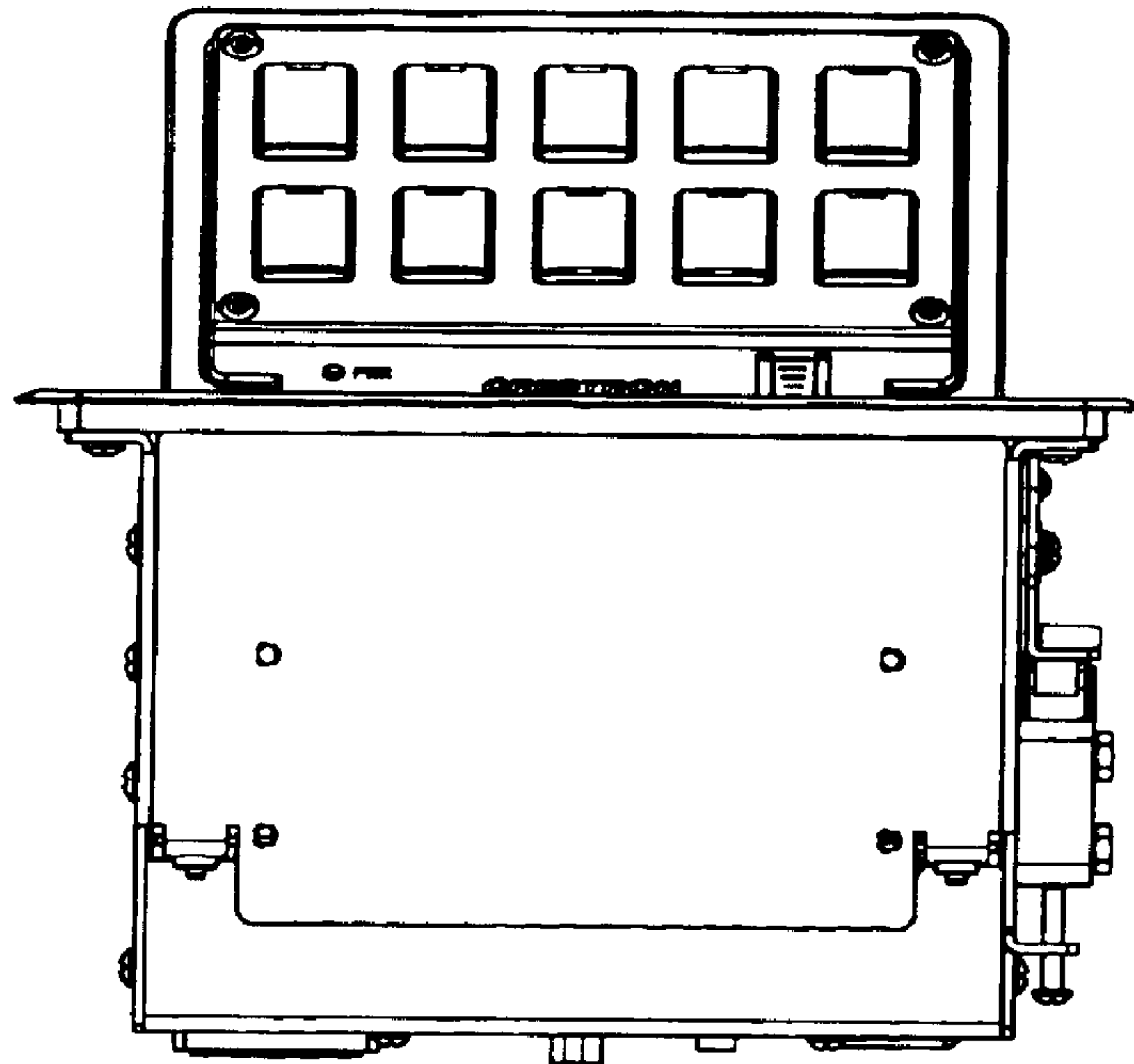


Figure 7

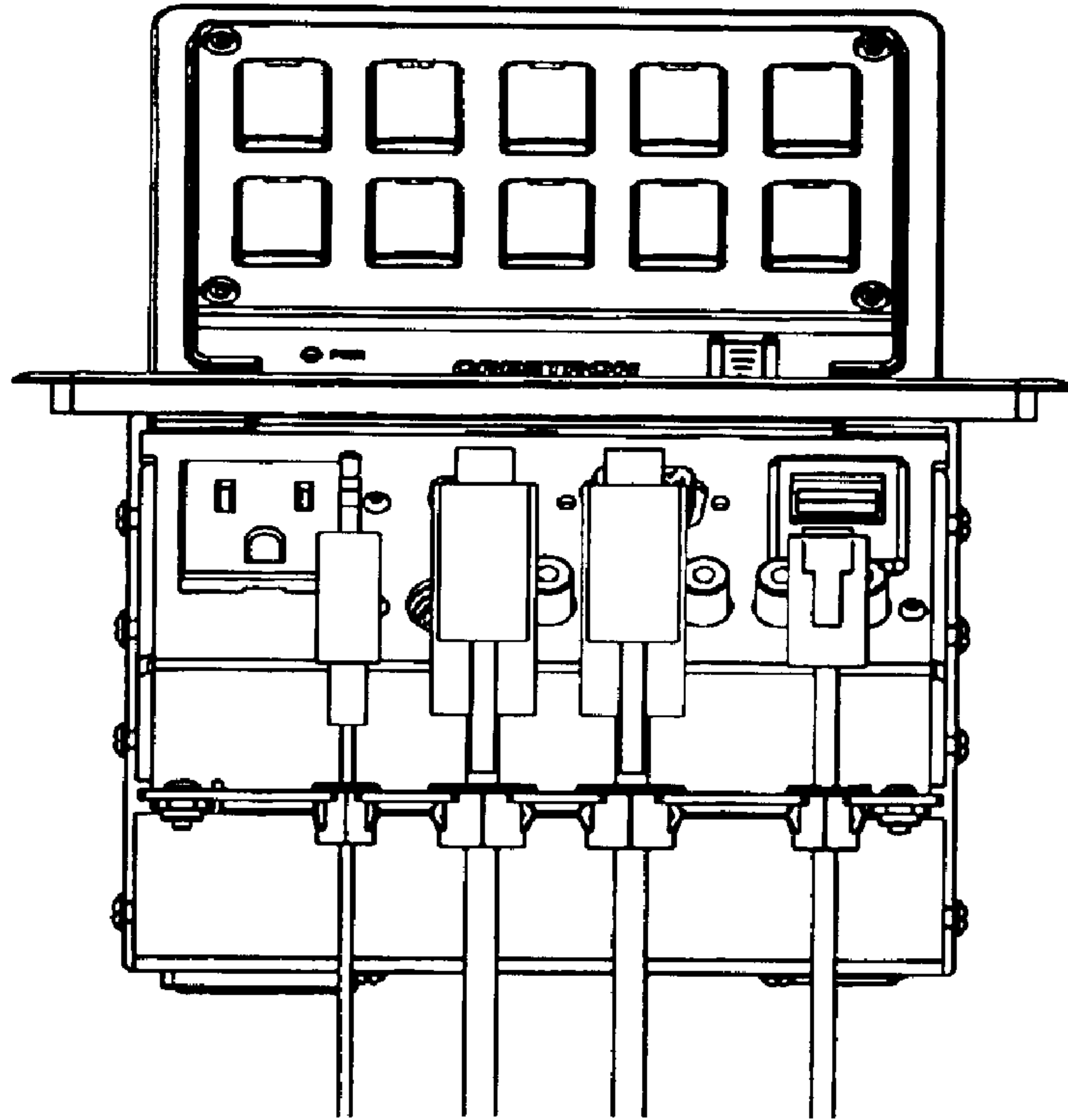


Figure 8

