

US00D513491S

(12) **United States Design Patent**
Yamazaki et al.

(10) **Patent No.: US D513,491 S**
(45) **Date of Patent: ** Jan. 10, 2006**

- (54) **VEHICLE CENTER CONSOLE**
- (75) Inventors: **Yuichi Yamazaki**, Rancho Palos Verdes, CA (US); **Jamie Klopp**, Hermosa Beach, CA (US)
- (73) Assignee: **Honda Motor Co., Ltd.**, Tokyo (JP)
- (**) Term: **14 Years**
- (21) Appl. No.: **29/219,864**
- (22) Filed: **Dec. 23, 2004**
- (51) **LOC (8) Cl.** **12-16**
- (52) **U.S. Cl.** **D12/419**
- (58) **Field of Classification Search** D12/415-419, D12/421-423; 296/37.1, 37.6, 37.8, 37.13-37.16; 224/275-276, 42.11, 926, 539-543; 280/750-752, 280/770, 762; 297/411.26, 411.23; 180/90
See application file for complete search history.

- D434,720 S * 12/2000 Haack et al. D12/419
- D448,720 S * 10/2001 Nash et al. D12/419
- D459,288 S * 6/2002 Tsay D12/415
- D466,859 S * 12/2002 Siegert et al. D12/415
- D473,509 S * 4/2003 Pfeiffer et al. D12/415
- D474,441 S * 5/2003 Hill et al. D12/415
- D502,910 S * 3/2005 Klopp et al. D12/421

* cited by examiner

Primary Examiner—Stacia Cadmus
(74) *Attorney, Agent, or Firm*—Plumsea Law Group, LLC

(57) **CLAIM**

The ornamental design for a vehicle center console, as shown and described.

DESCRIPTION

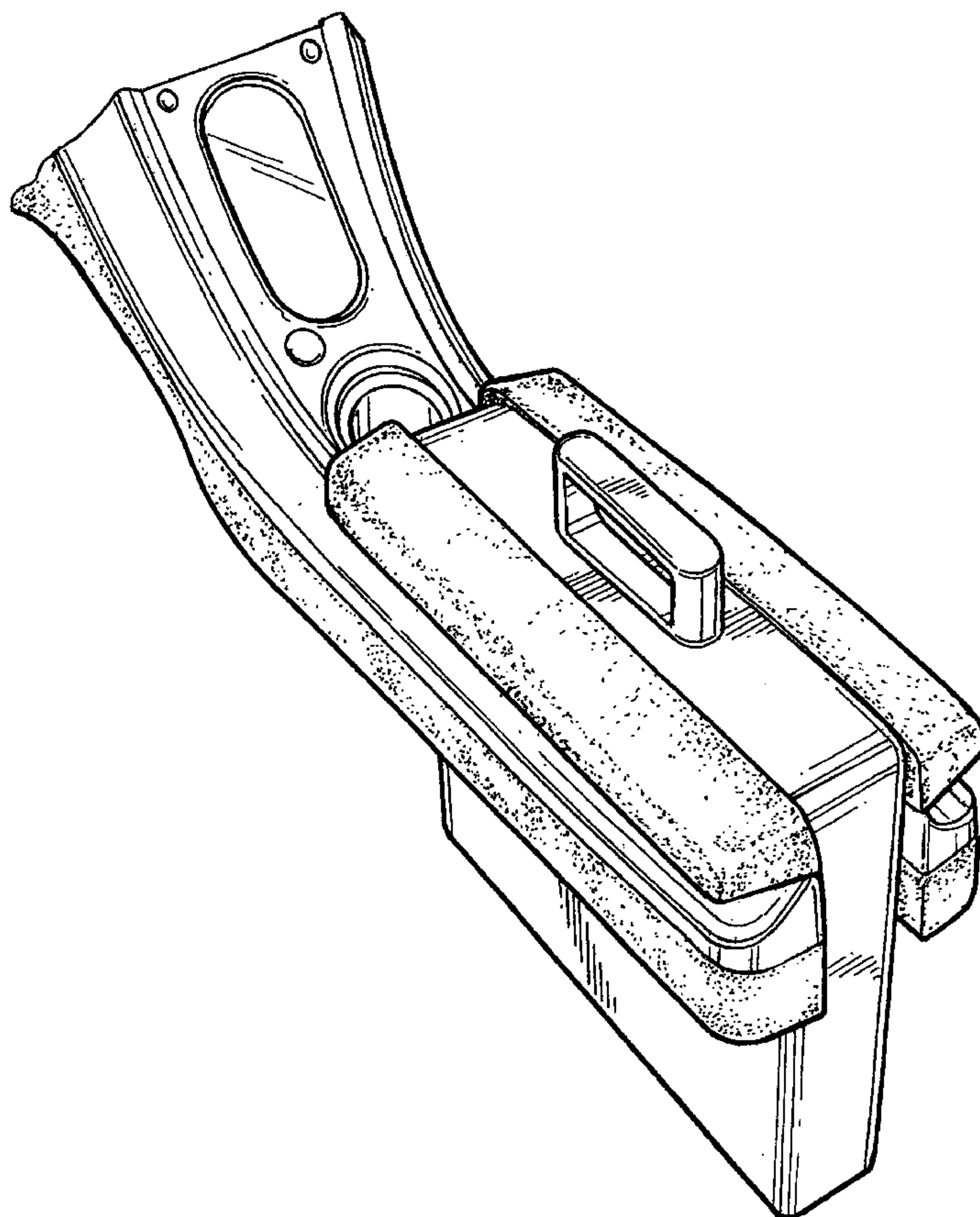
FIG. 1 is a perspective view of a vehicle center console showing our new design; and, FIG. 2 is an enlarged top plan view thereof.

(56) **References Cited**

U.S. PATENT DOCUMENTS

- D313,962 S * 1/1991 Haag et al. D12/423

1 Claim, 2 Drawing Sheets



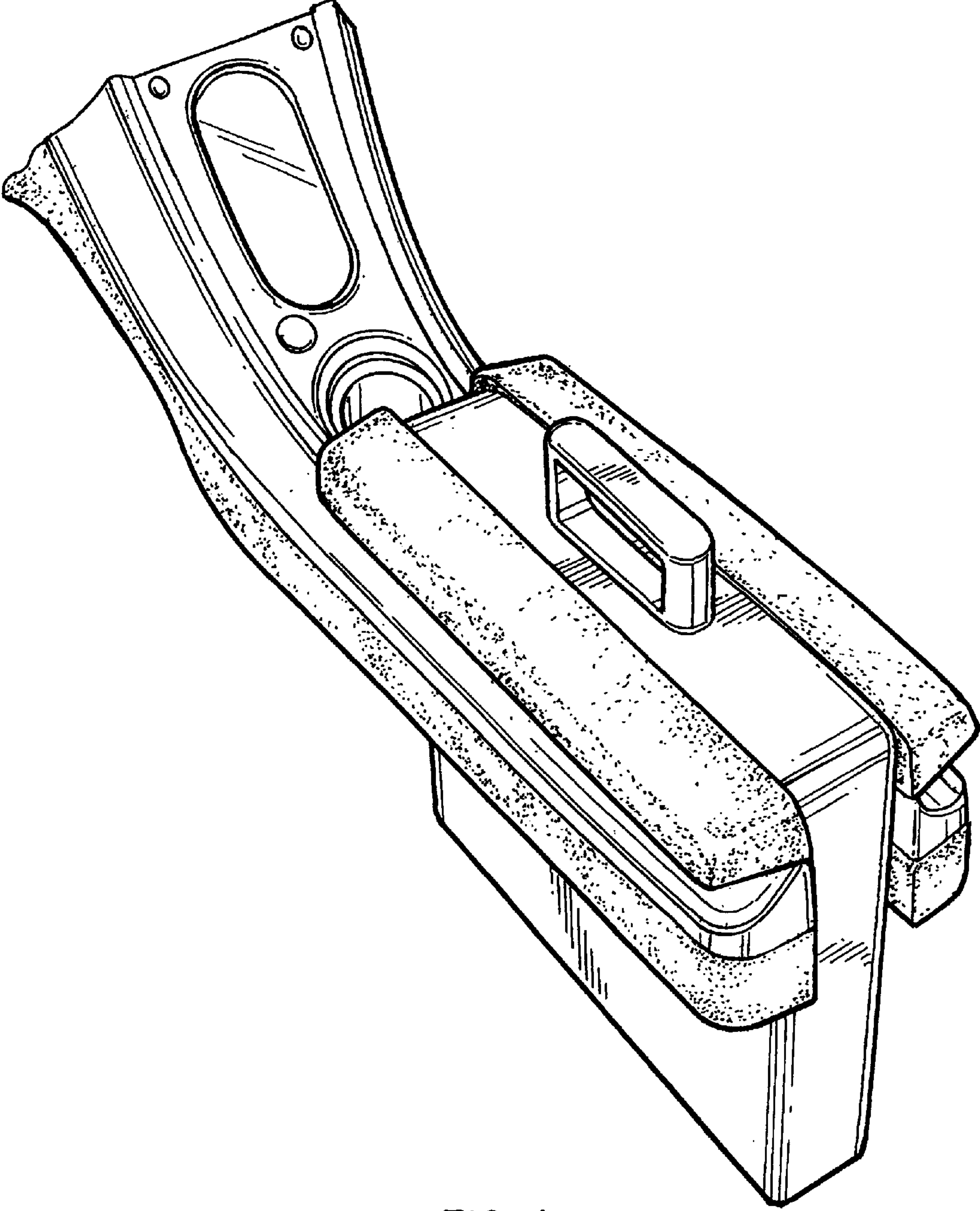


FIG. 1

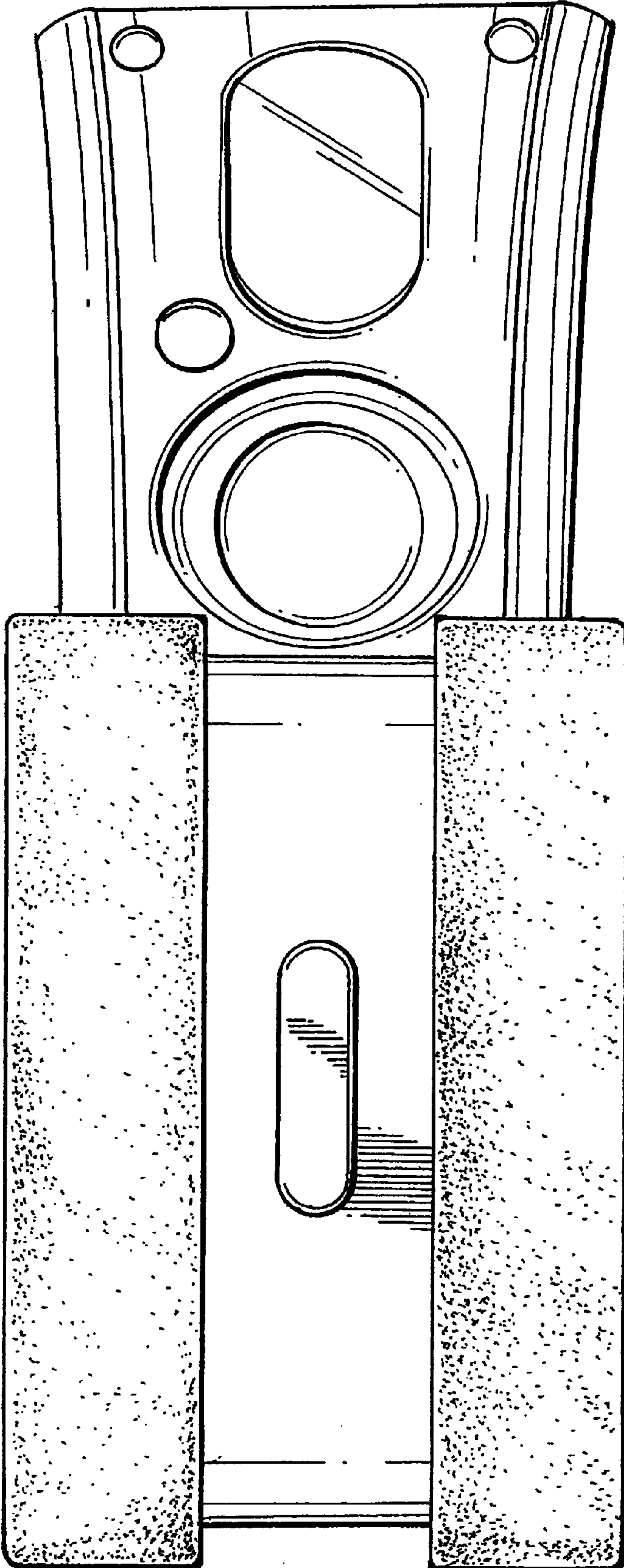


FIG. 2