



US00D513490S

(12) **United States Design Patent**
Held

(10) **Patent No.:** **US D513,490 S**
(45) **Date of Patent:** **** Jan. 10, 2006**

(54) **GOLF CART CANOPY AND RELATED STORAGE HOUSING**

Primary Examiner—Stacia Cadmus
(74) *Attorney, Agent, or Firm*—Hodgson Russ LLP

(76) **Inventor:** **William T. Held**, 191 Buffalo Creek Rd., Elma, NY (US) 14057

(57) **CLAIM**

The ornamental design for a golf cart canopy and related storage housing, as shown and described.

(**) **Term:** **14 Years**

DESCRIPTION

(21) **Appl. No.:** **29/229,634**

FIG. 1 is a perspective view of my new design with the canopy in the deployed position, and the golf cart roof shown in dashed lines;

(22) **Filed:** **May 9, 2005**

FIG. 2 is another perspective view of my new design with the canopy in the deployed position;

(51) **LOC (8) Cl.** **12-16**

(52) **U.S. Cl.** **D12/401; D12/16**

(58) **Field of Classification Search** D12/401, D12/16, 1; 280/DIG. 5, DIG. 6; 180/233, 180/908; 296/225, 210, 185.1, 100.11, 100.14; 135/88.01, 88.09

FIG. 3 is a side view of my new design with the canopy in the deployed position;

FIG. 4 is a rear view of my new design with the canopy in the deployed position;

See application file for complete search history.

FIG. 5 is a top view of my new design with the canopy in the deployed position;

(56) **References Cited**

U.S. PATENT DOCUMENTS

FIG. 6 is a side view of my new design with the canopy stored in the housing;

| | | | | | |
|-------------|---|---------|----------------|-------|---------|
| 4,621,859 A | * | 11/1986 | Spicher | | D12/16 |
| D291,878 S | * | 9/1987 | Cook | | D12/16 |
| D330,350 S | * | 10/1992 | Maypole et al. | | D12/16 |
| D394,637 S | * | 5/1998 | Camiano | | D12/401 |
| D413,283 S | * | 8/1999 | Stepp et al. | | D12/16 |
| D431,018 S | * | 9/2000 | Maypole | | D12/401 |
| D463,999 S | * | 10/2002 | Beck et al. | | D12/16 |
| D469,734 S | * | 2/2003 | Tyrer | | D12/401 |
| D478,859 S | * | 8/2003 | Tyrer | | D12/401 |
| D491,876 S | * | 6/2004 | Geisler et al. | | D12/401 |
| D497,587 S | * | 10/2004 | Tyrer | | D12/401 |

FIG. 7 is a rear view of my new design with the canopy stored in the housing; and,

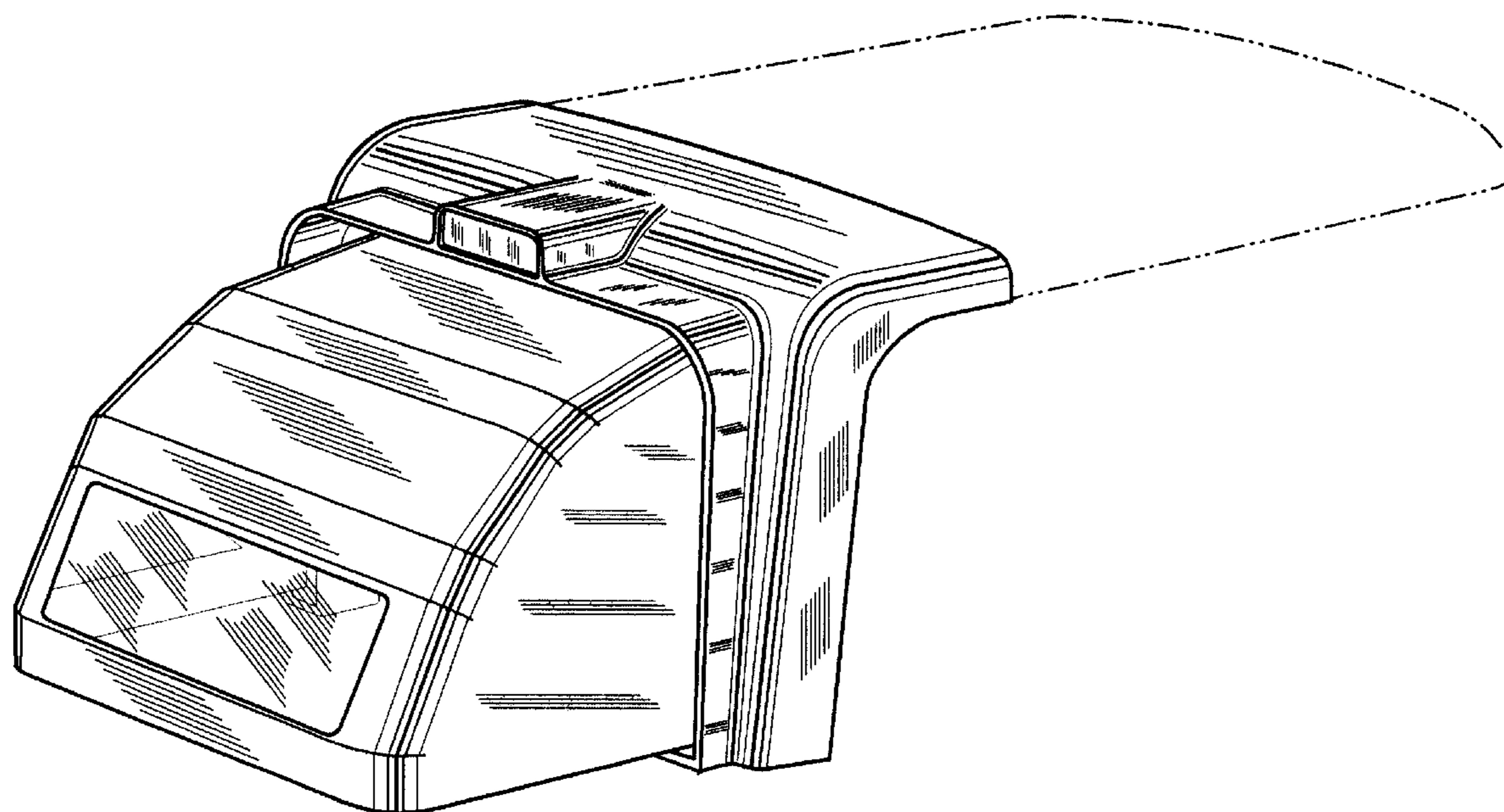
FIG. 8 is a perspective view of a second embodiment of the golf cart canopy and related storage housing, the only difference being the number of bars supporting the canopy.

The broken line showing of environment is for illustrative purposes only and forms no part of the claimed design.

The golf cart canopy is shown on an enlarged scale in FIGS. 2-7.

* cited by examiner

1 Claim, 8 Drawing Sheets



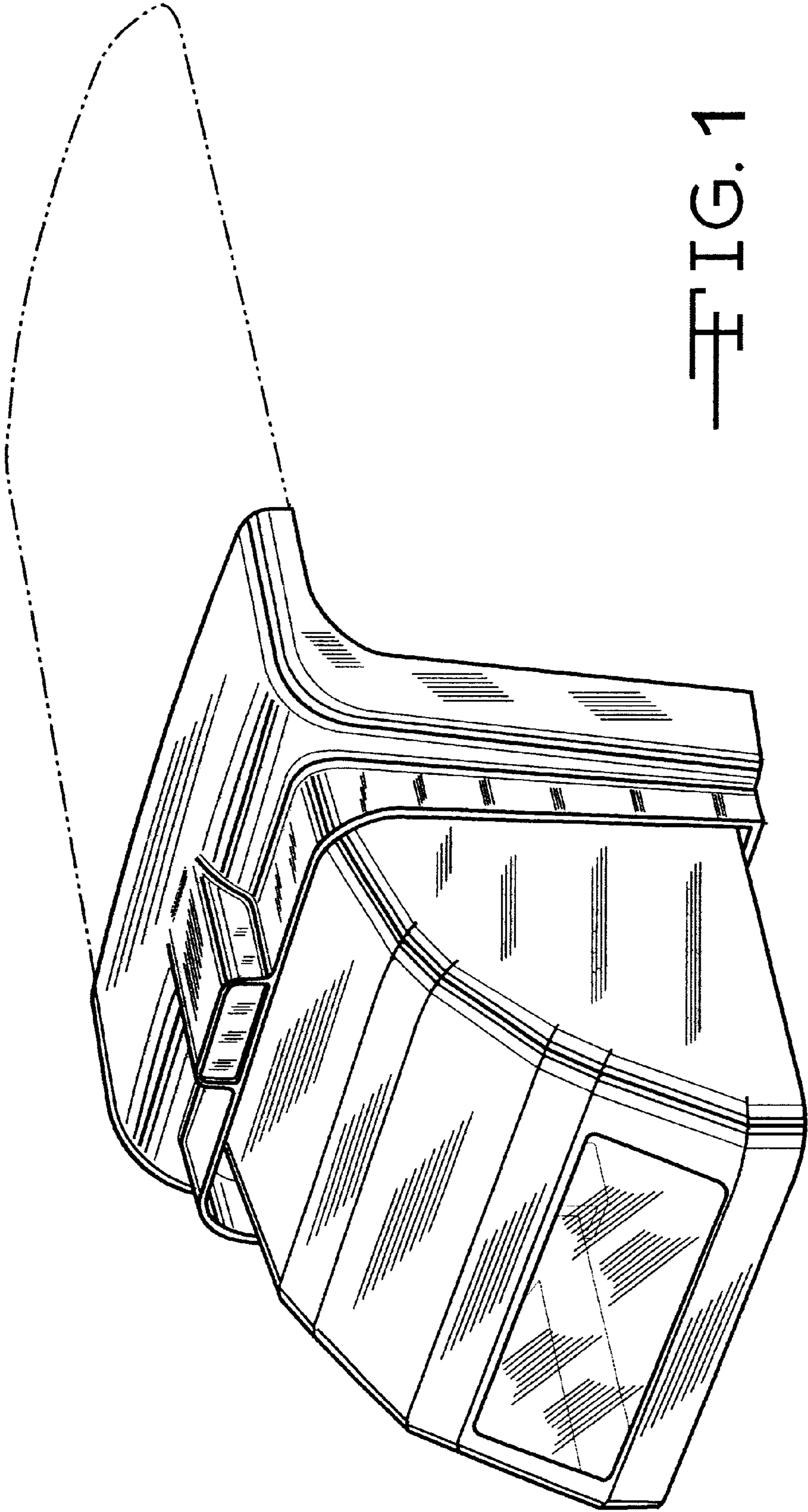


FIG. 1

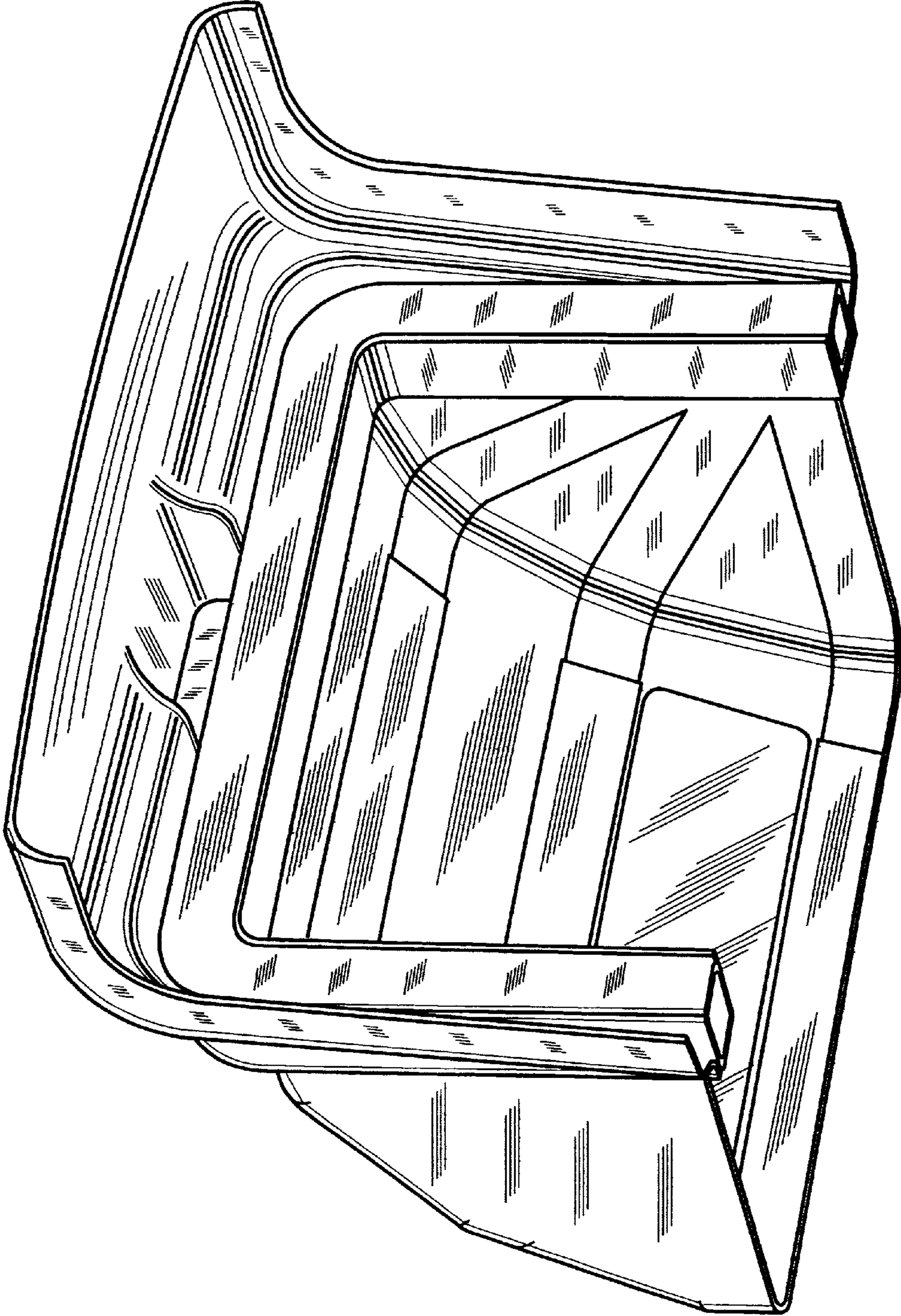
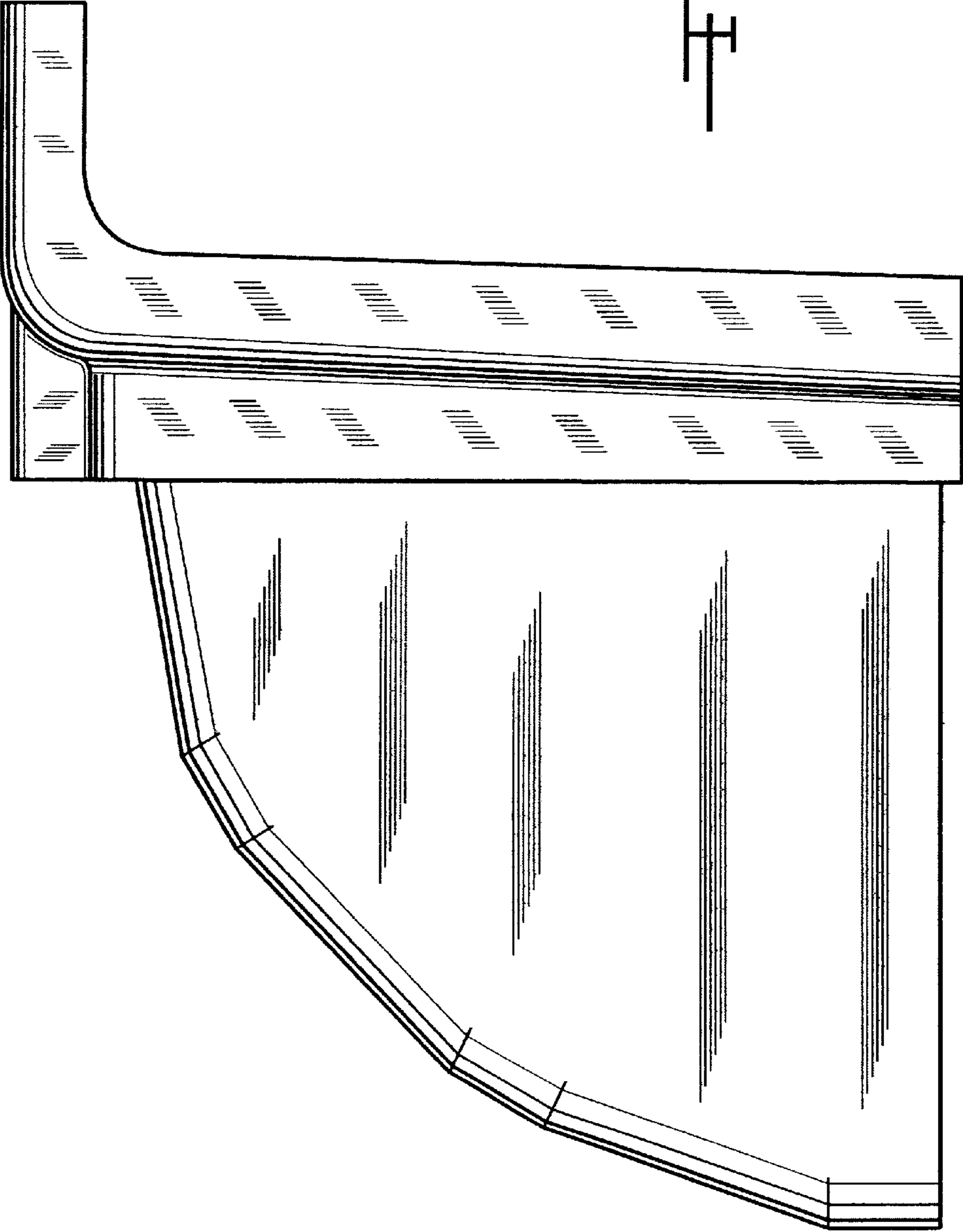


FIG. 2

FIG. 3



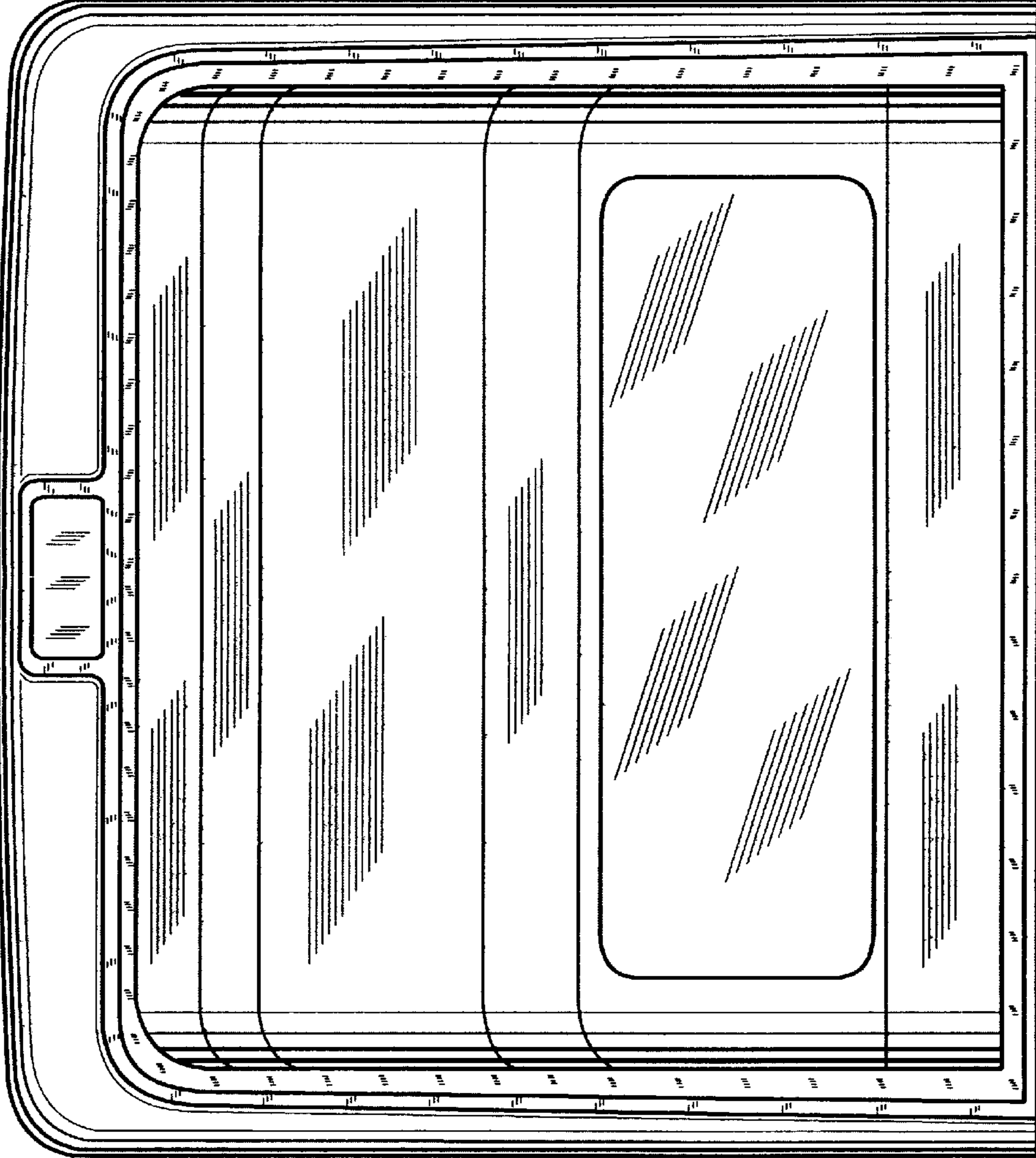
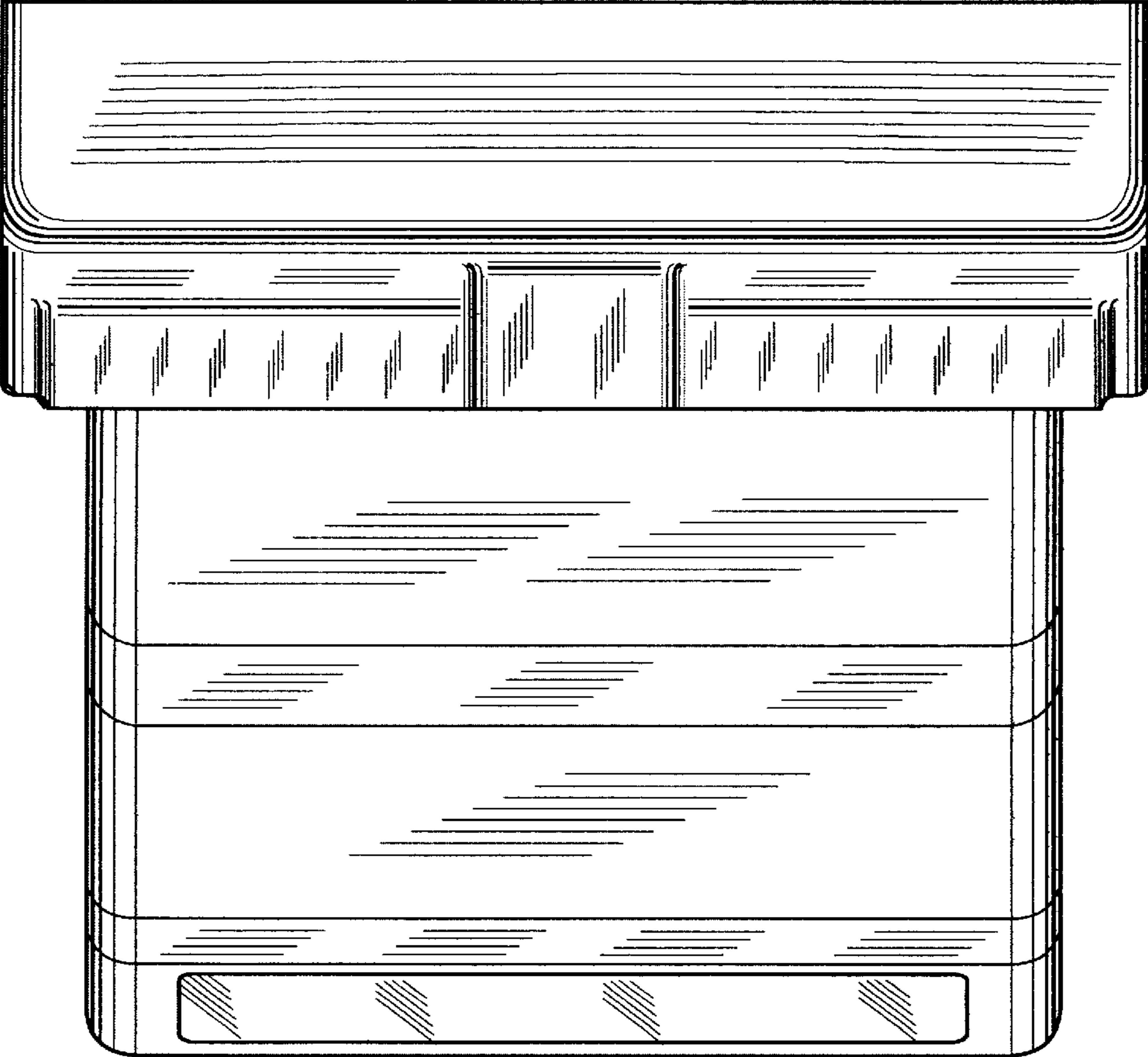


FIG. 4

FIG. 5



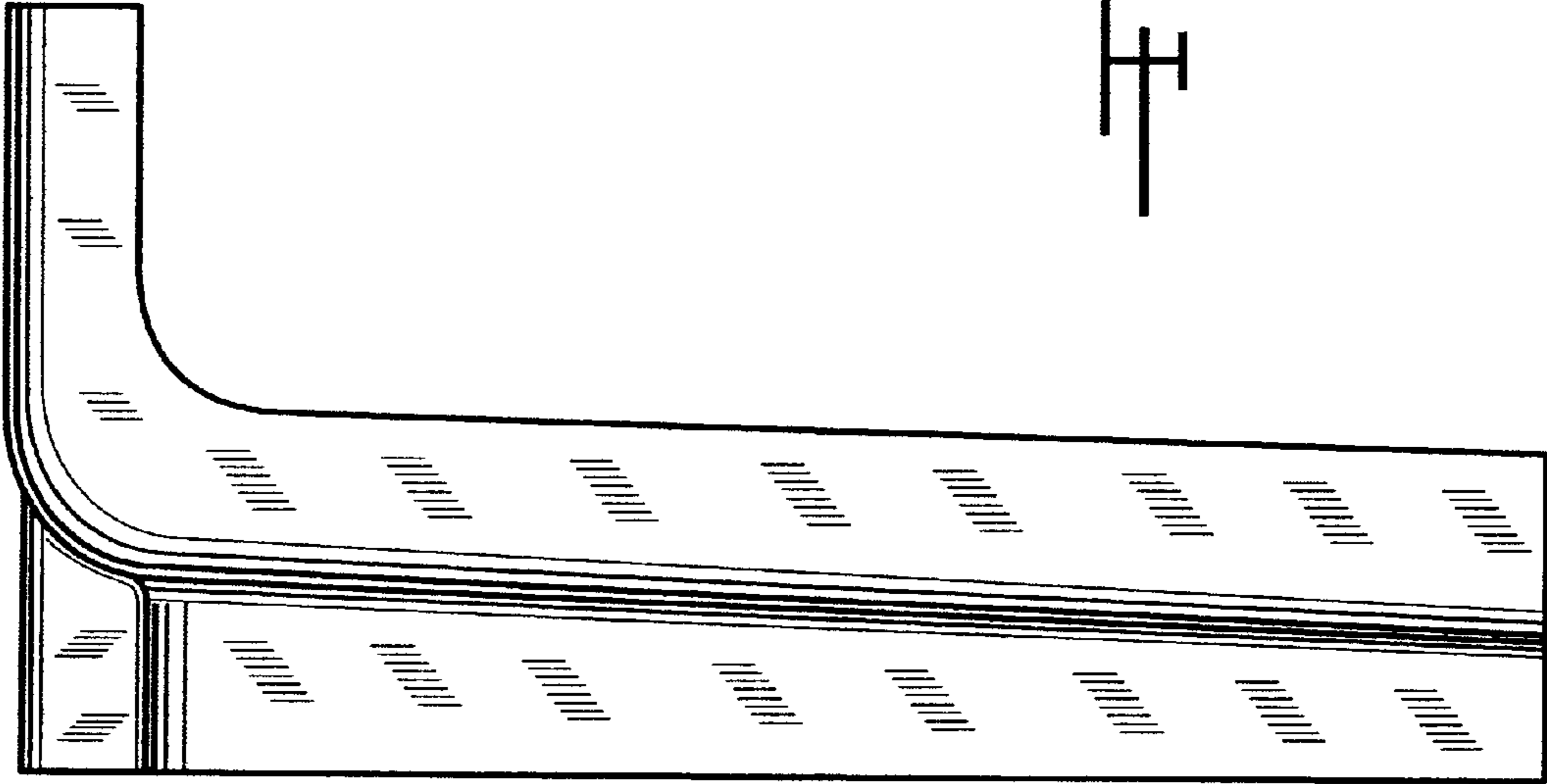


FIG. 6

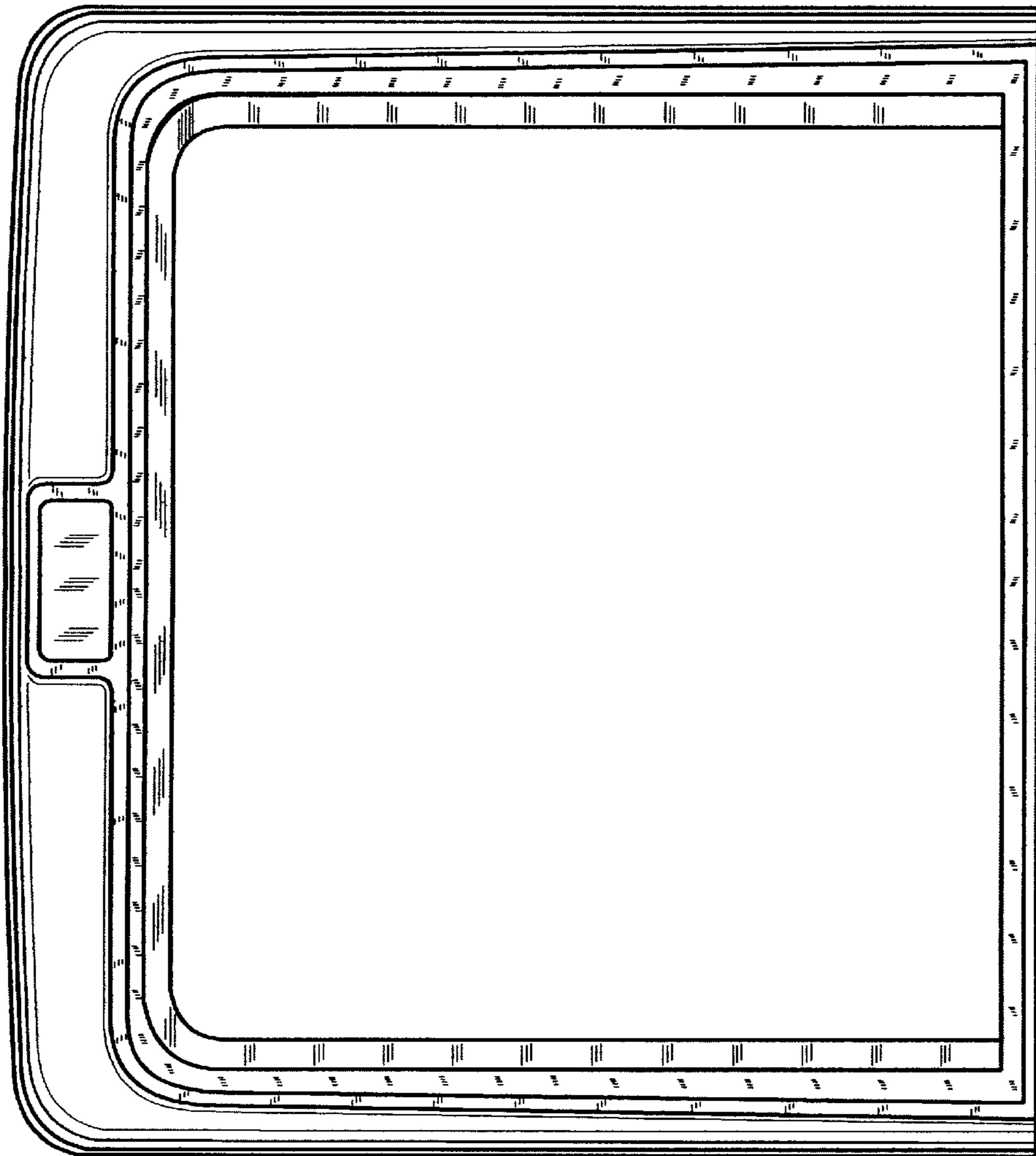


FIG. 7

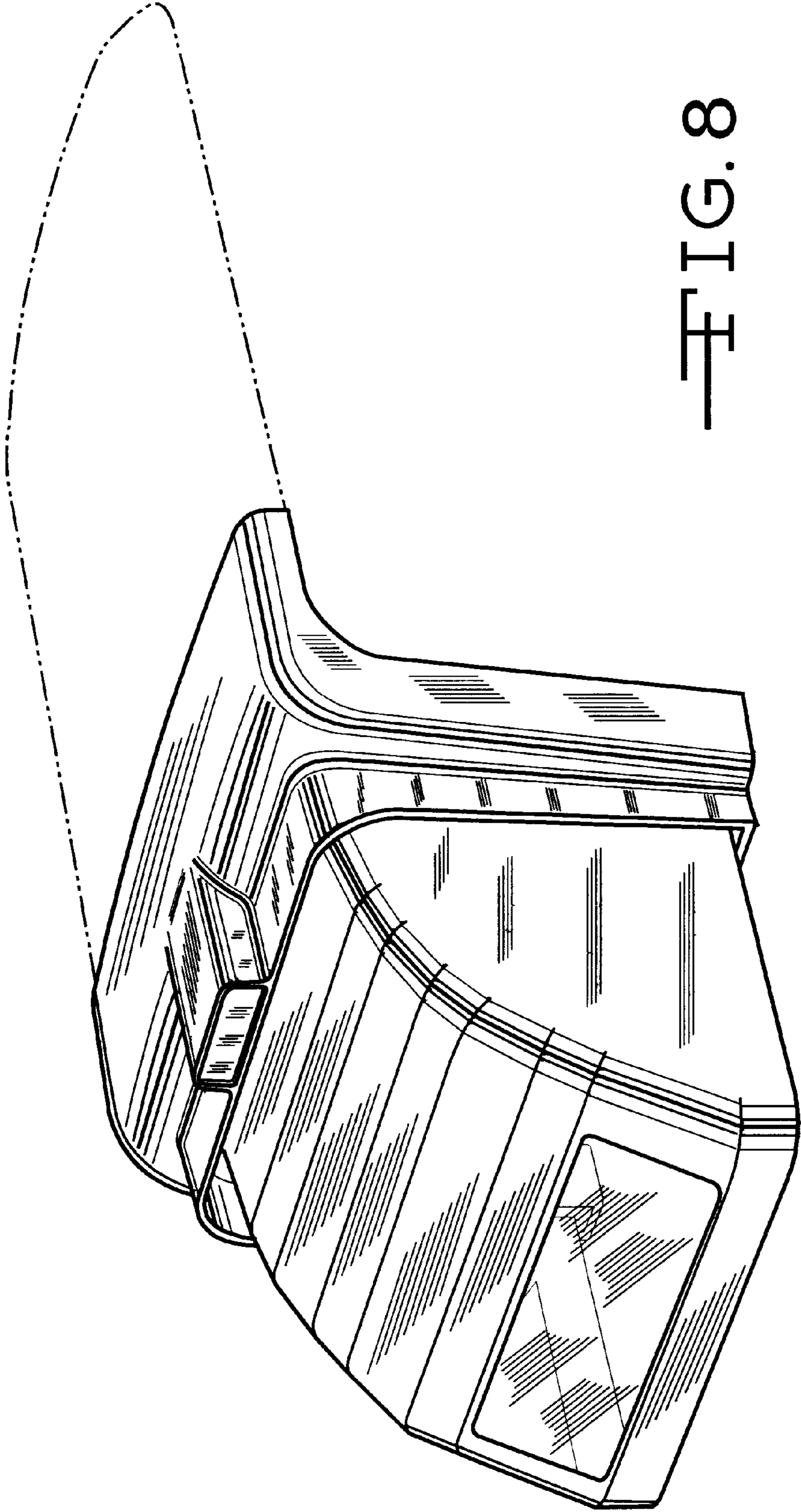


FIG. 8