

US00D513482S

(12) **United States Design Patent**
Hattori

(10) **Patent No.:** **US D513,482 S**
(45) **Date of Patent:** **** Jan. 10, 2006**

- (54) **GRILL FOR AN AUTOMOBILE**
- (75) Inventor: **Shigeya Hattori**, Aichi-ken (JP)
- (73) Assignee: **Toyota Jidosha Kabushiki Kaisha**, Aichi-ken (JP)
- (**) Term: **14 Years**

- (21) Appl. No.: **29/210,575**
- (22) Filed: **Aug. 4, 2004**
- (51) **LOC (8) Cl.** **12-16**
- (52) **U.S. Cl.** **D12/163**
- (58) **Field of Classification Search** D12/163, D12/171, 90-92, 216, 169, 196; 180/68.1, 180/68.6; 296/194; 293/102, 113, 115
See application file for complete search history.

(56) **References Cited**

U.S. PATENT DOCUMENTS

D473,497 S	*	4/2003	Leazenby	D12/163
D480,996 S		10/2003	Takei		
D495,979 S	*	9/2004	Metros et al.	D12/163
D496,890 S	*	10/2004	Metros et al.	D12/163
D497,849 S	*	11/2004	Yanase	D12/163
D499,991 S	*	12/2004	Kobayashi	D12/163
D500,268 S	*	12/2004	Otto et al.	D12/163

OTHER PUBLICATIONS

Hilux Surf, Brochure of Hilux Surf, Oct. 2002 (Mfg. Toyota Jidosha Kabushiki Kaisha).

* cited by examiner

Primary Examiner—Melody N. Brown
(74) *Attorney, Agent, or Firm*—Finnegan, Henderson, Farabow, Garrett & Dunner, LLP

(57) **CLAIM**

The ornamental design for a grill for an automobile, as shown and described.

DESCRIPTION

FIG. 1 is a right-front, perspective view of a grill for an automobile of my new design;

FIG. 2 is a front view of my new design;

FIG. 3 is a rear view of my new design;

FIG. 4 is a top view of my new design;

FIG. 5 is a bottom view of my new design;

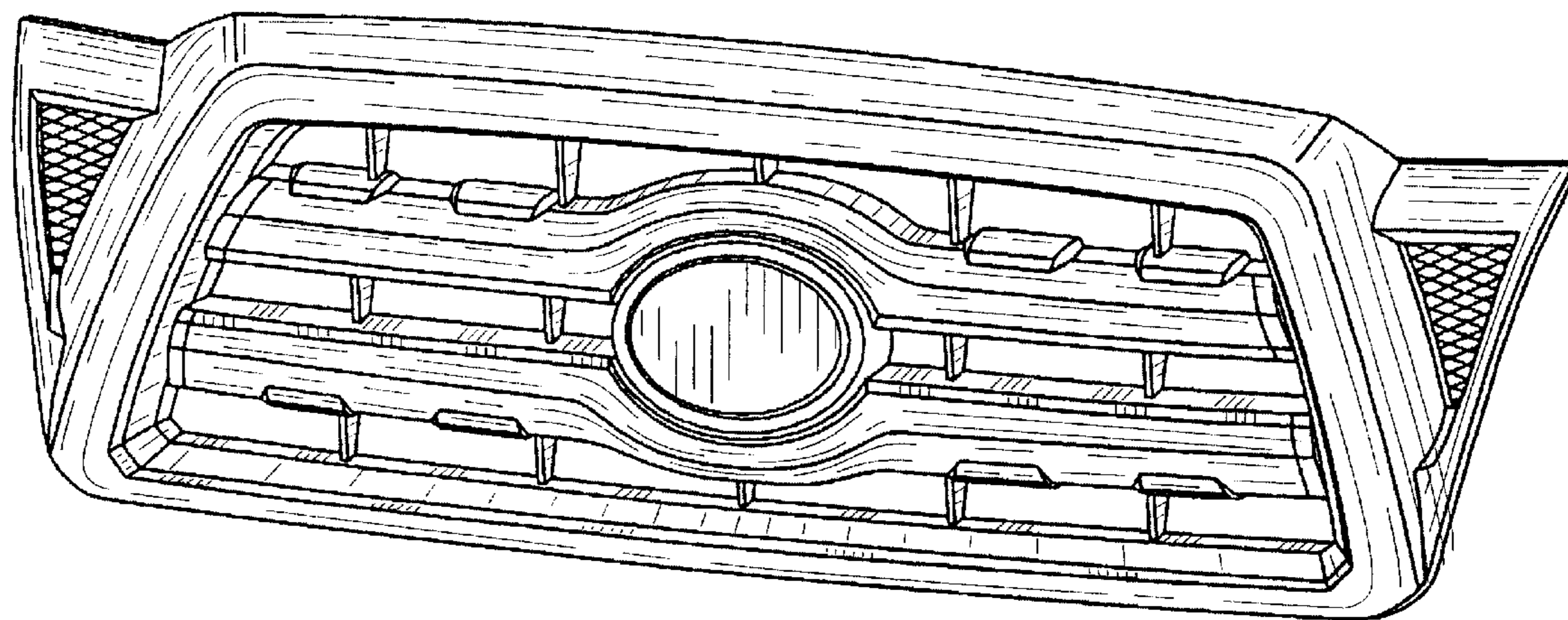
FIG. 6 is a left-side view my new design, the right-side view being a mirror image thereof;

FIG. 7 is a cross-sectional view of my new design taken along the line 7—7 in FIG. 2, showing the profile of that portion of the design;

FIG. 8 is a cross-sectional view of my new design taken along the line 8—8 in FIG. 2, showing the profile of that portion of the design; and,

FIG. 9 is a cross-sectional view of my new design taken along the line 9—9 in FIG. 2, showing the profile of that portion of the design.

1 Claim, 6 Drawing Sheets



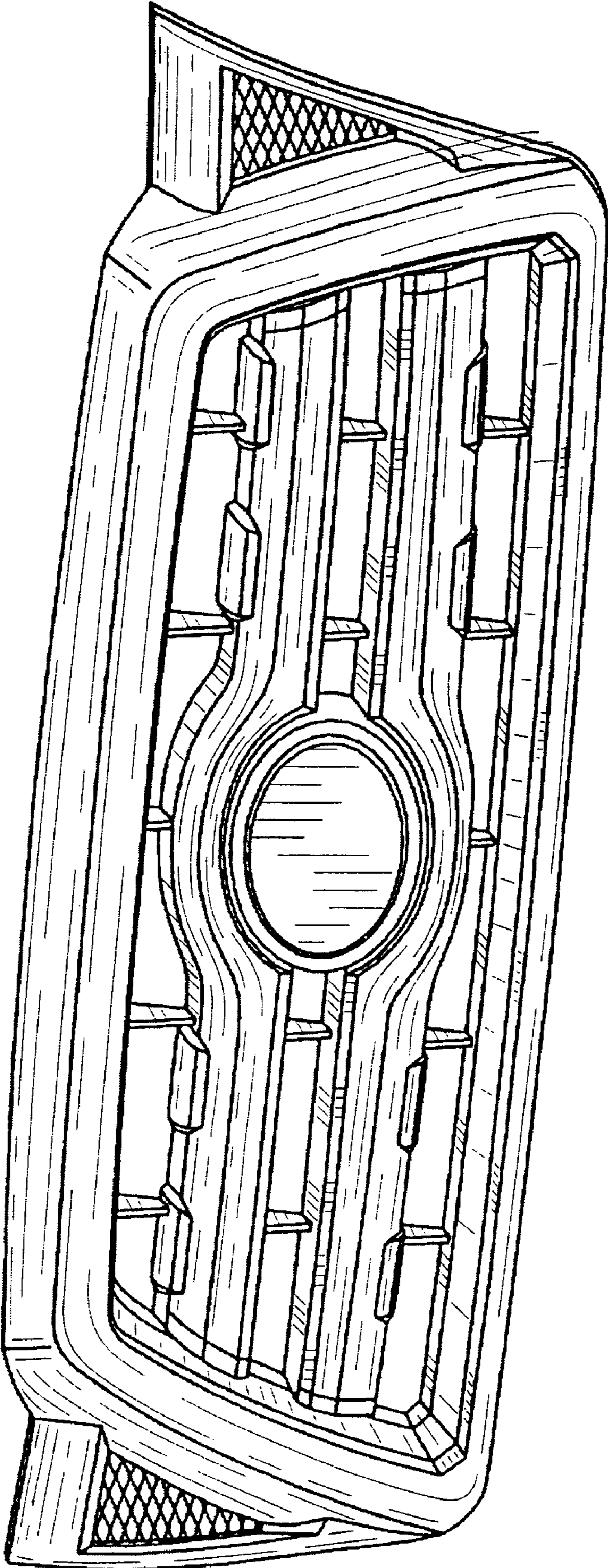


FIG. 1

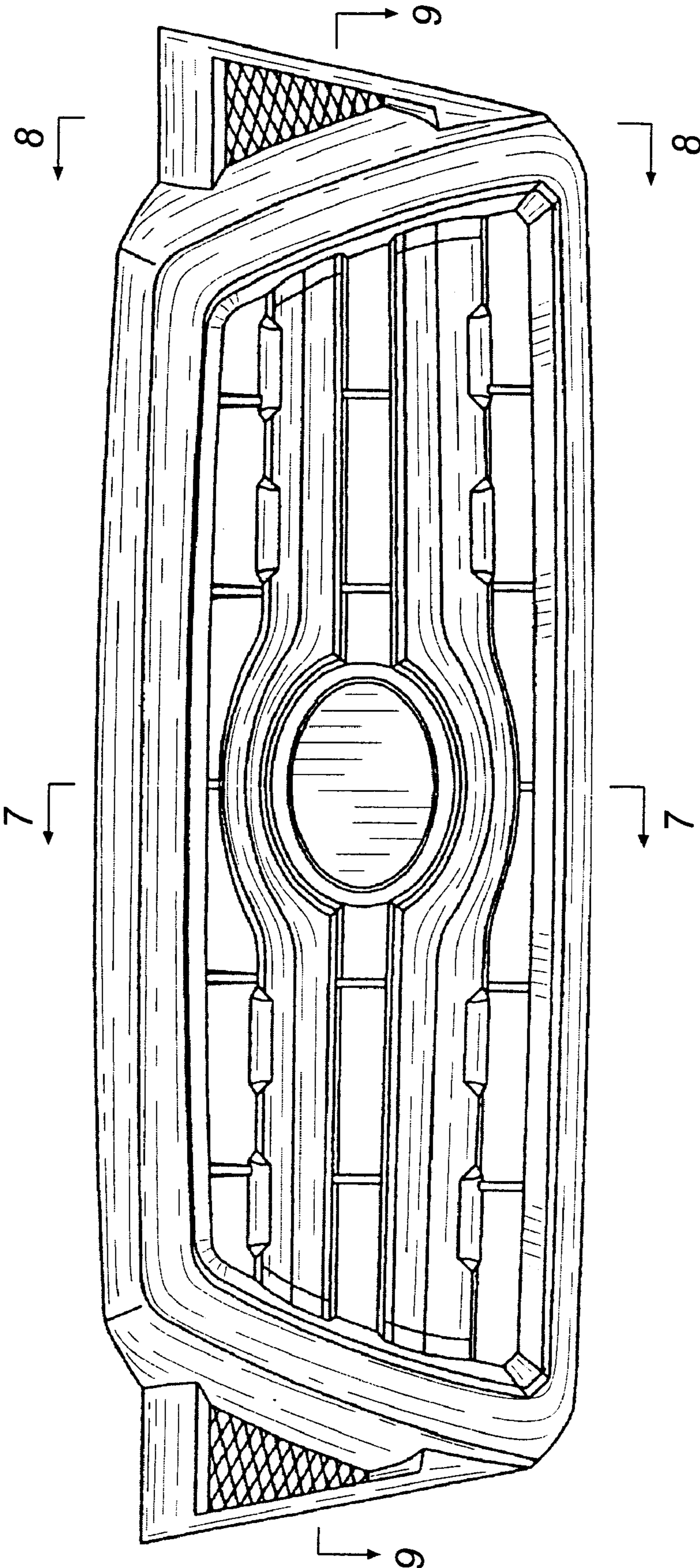


FIG. 2

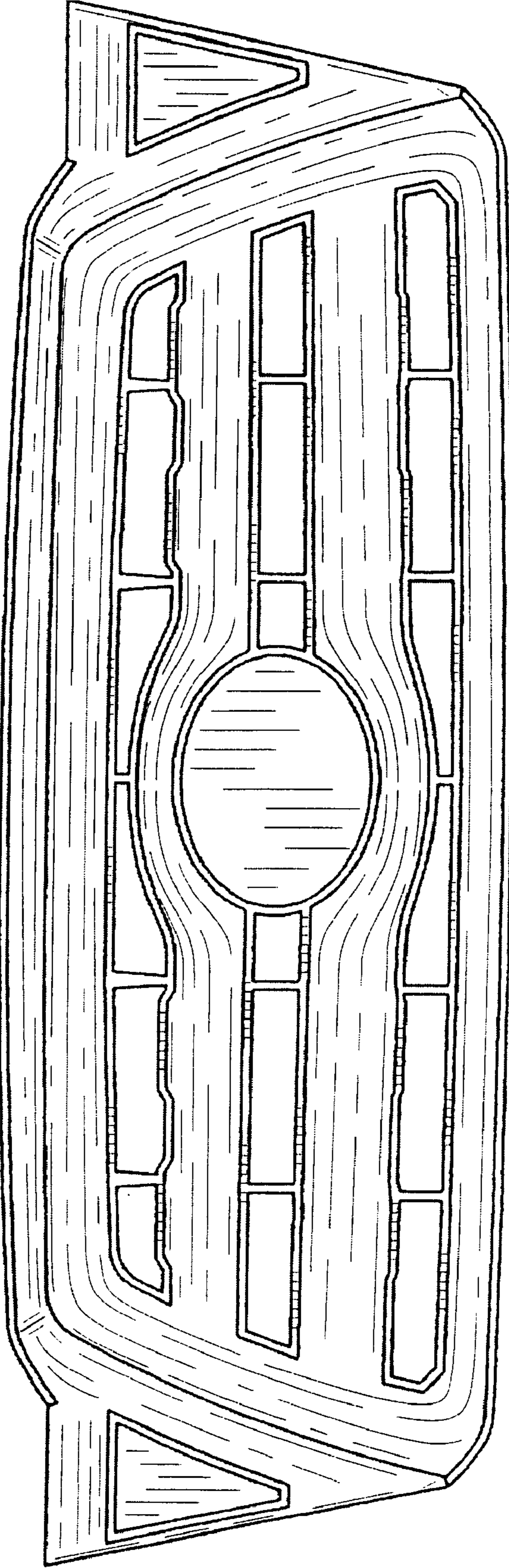


FIG. 3



FIG. 4



FIG. 5

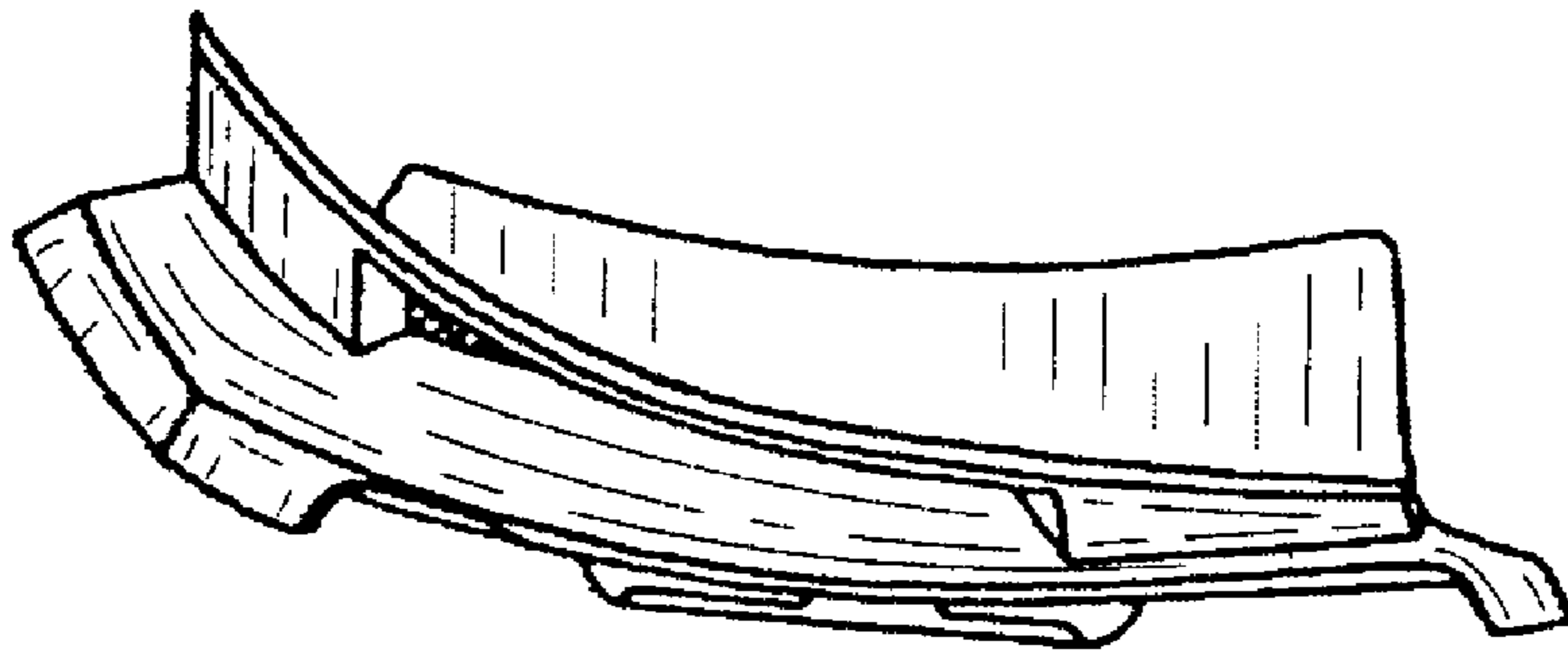


FIG. 6

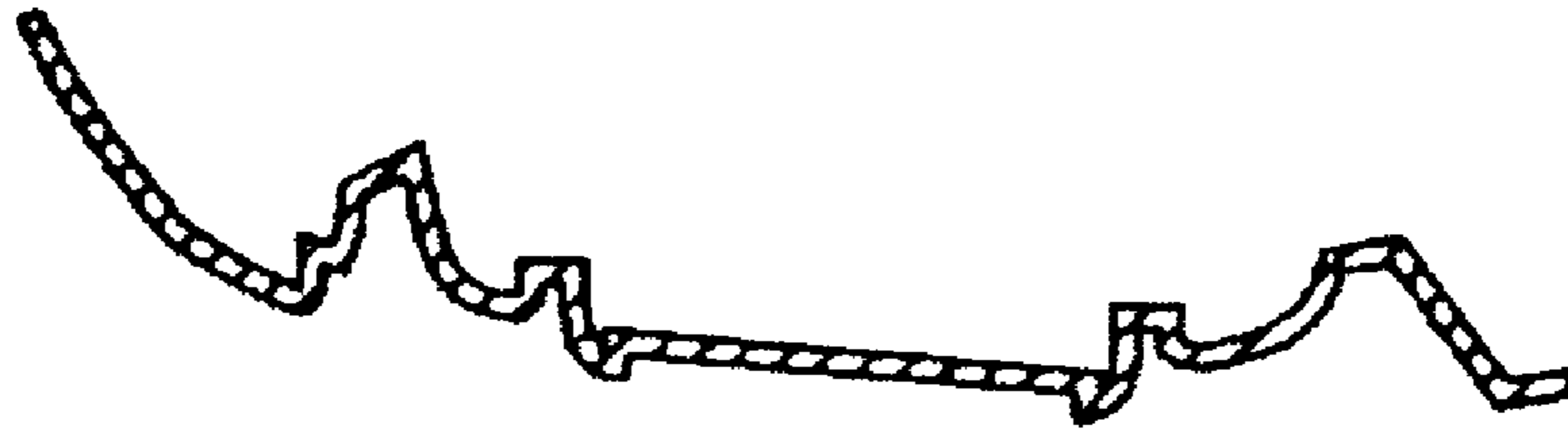


FIG. 7

