



US00D513481S

(12) **United States Design Patent**
Lin

(10) **Patent No.:** **US D513,481 S**
(45) **Date of Patent:** **** Jan. 10, 2006**

(54) **MOTORCYCLE**

(75) Inventor: **Ching-Hua Lin, Ta-Li (TW)**

(73) Assignee: **CPI Motor Co., Ta-Li City (TW)**

(**) Term: **14 Years**

(21) Appl. No.: **29/201,003**

(22) Filed: **Mar. 9, 2004**

(51) **LOC (8) Cl.** **12-11**

(52) **U.S. Cl.** **D12/110**

(58) **Field of Classification Search** **D12/110;**
180/219, 225, 229

See application file for complete search history.

(56) **References Cited**

U.S. PATENT DOCUMENTS

- D384,601 S * 10/1997 Hiruma et al. D12/110
- D387,017 S * 12/1997 Wakita et al. D12/110

D419,922 S * 2/2000 Yamase et al. D12/110

* cited by examiner

Primary Examiner—Alan P. Douglas

Assistant Examiner—Linda Brooks

(74) *Attorney, Agent, or Firm*—Alan D. Kamrath; Nikolai & Mersereau, P.A.

(57) **CLAIM**

The ornamental design for a motorcycle, as shown.

DESCRIPTION

FIG. 1 is a perspective view of a motorcycle, showing my new design;

FIG. 2 is a right side elevational view thereof;

FIG. 3 is a left side elevational view thereof;

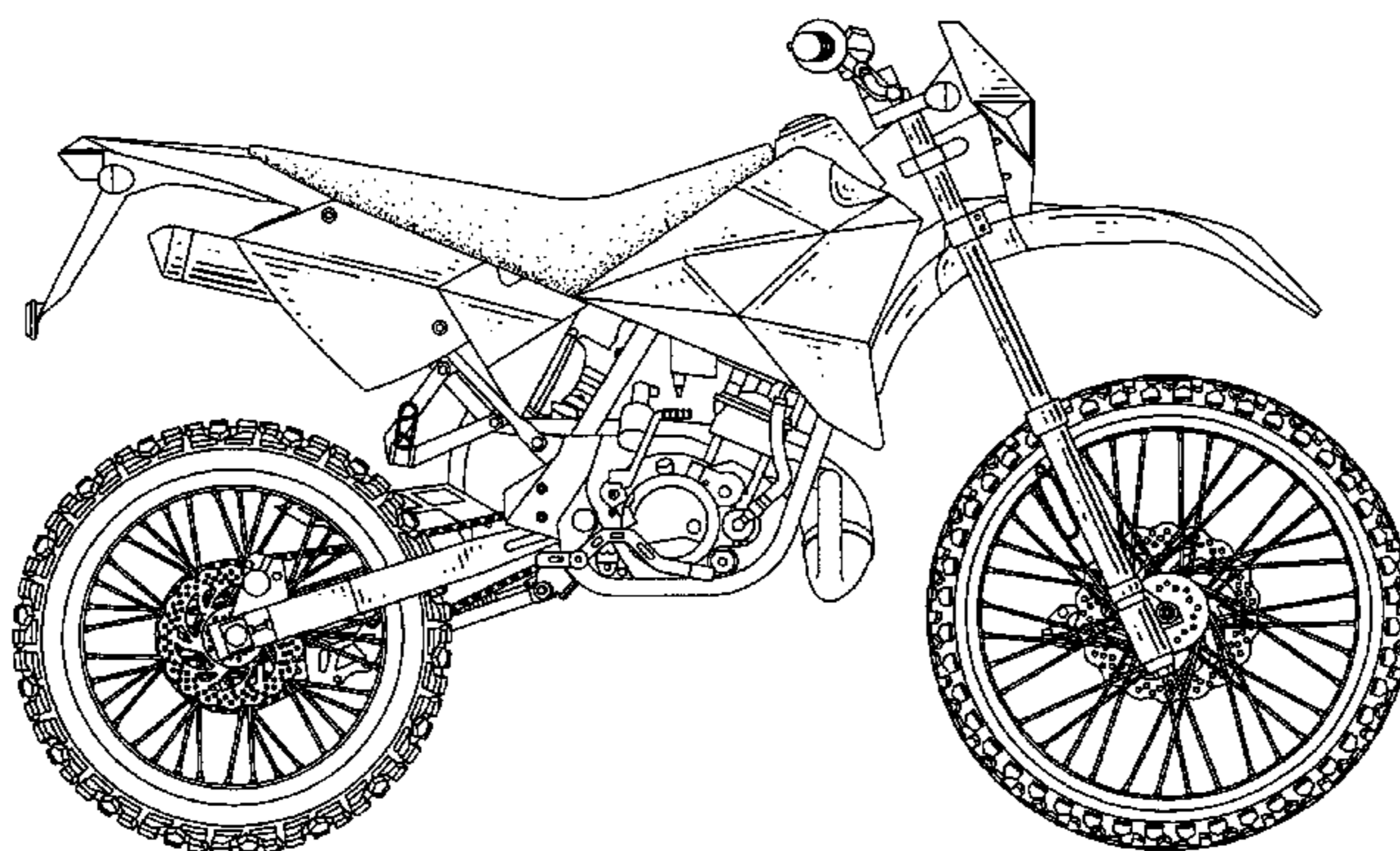
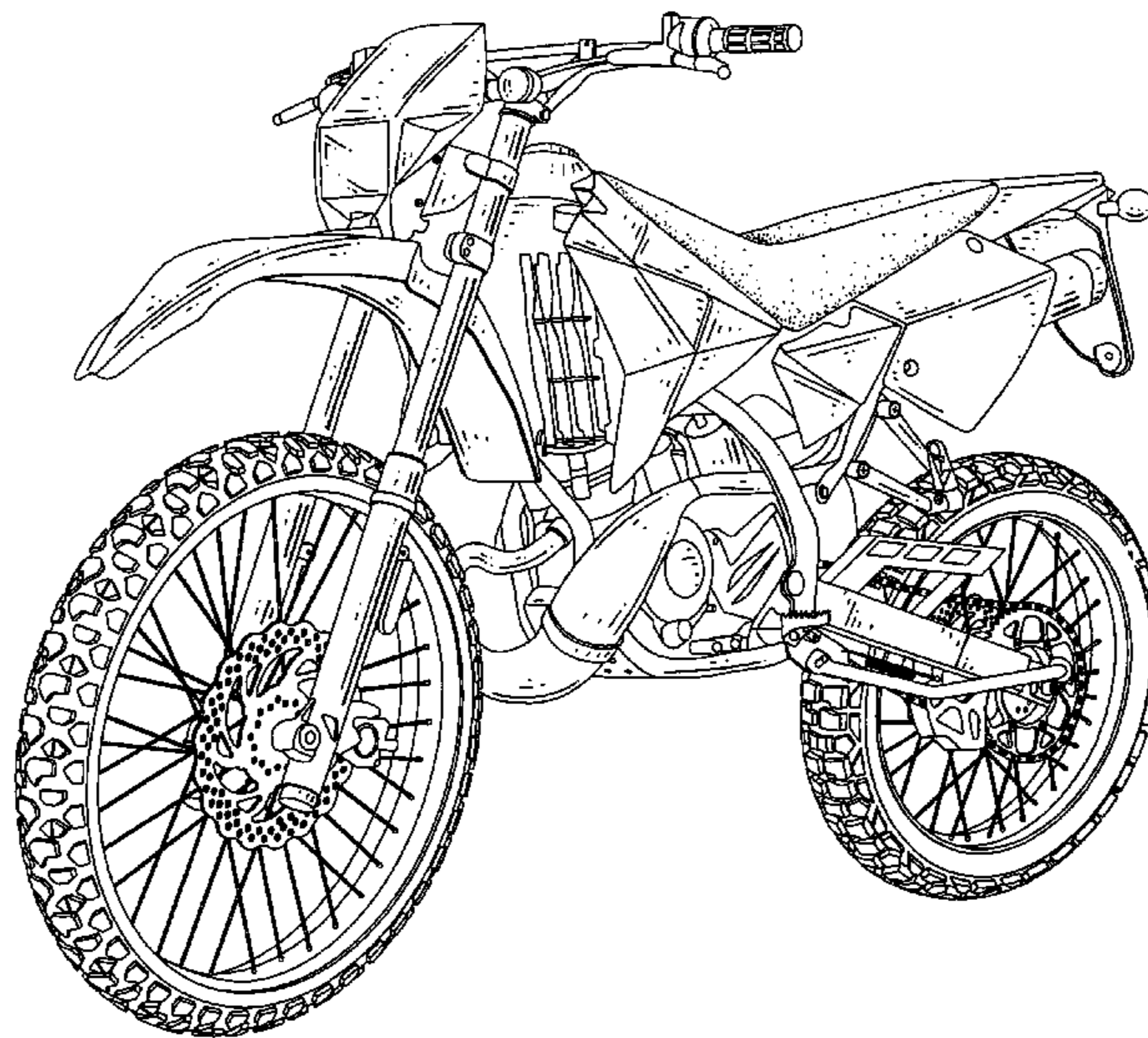
FIG. 4 is a front elevational view thereof;

FIG. 5 is a rear elevational view thereof;

FIG. 6 is a top plan view thereof; and,

FIG. 7 is a bottom plan view thereof.

1 Claim, 4 Drawing Sheets



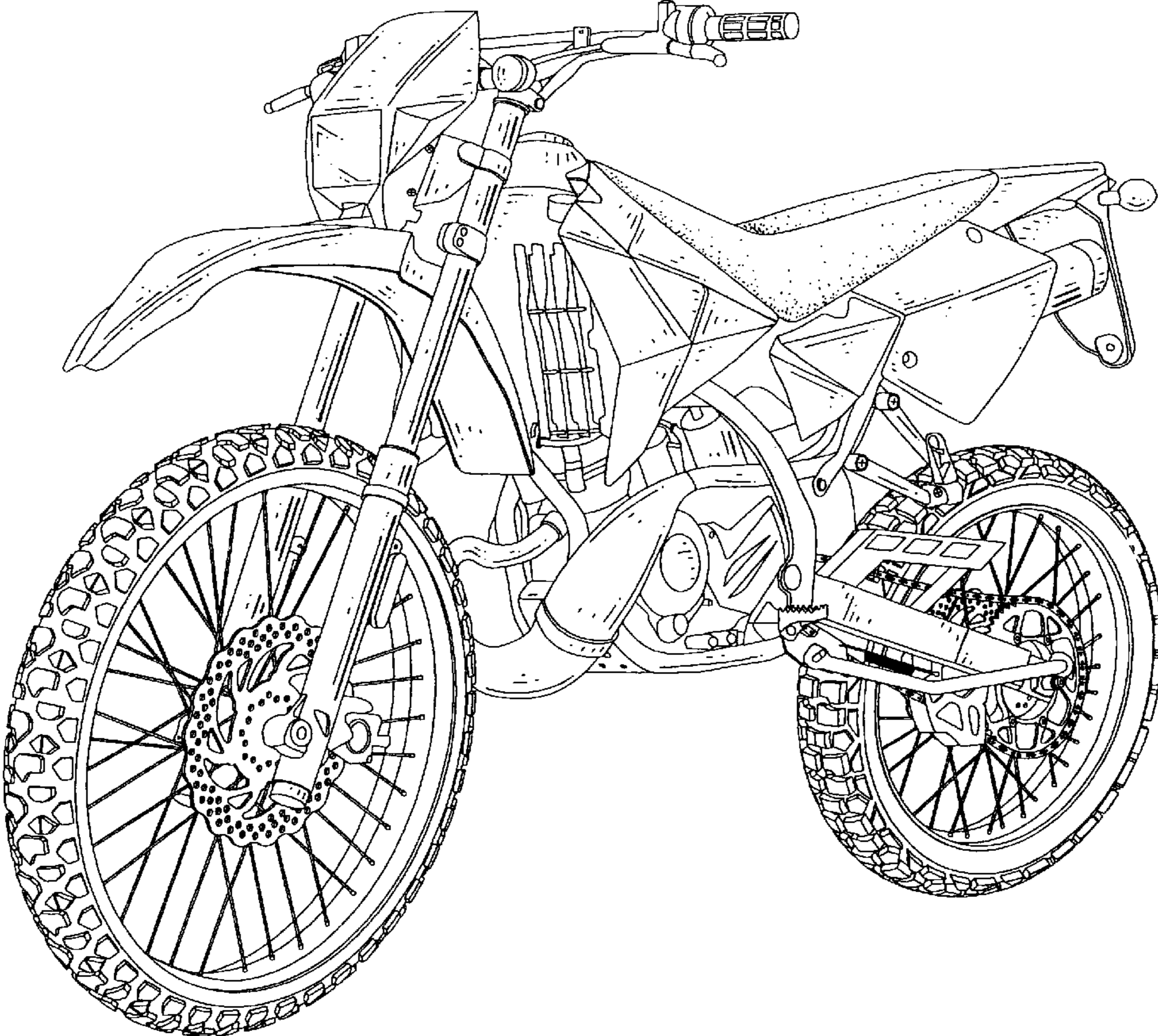


FIG.1

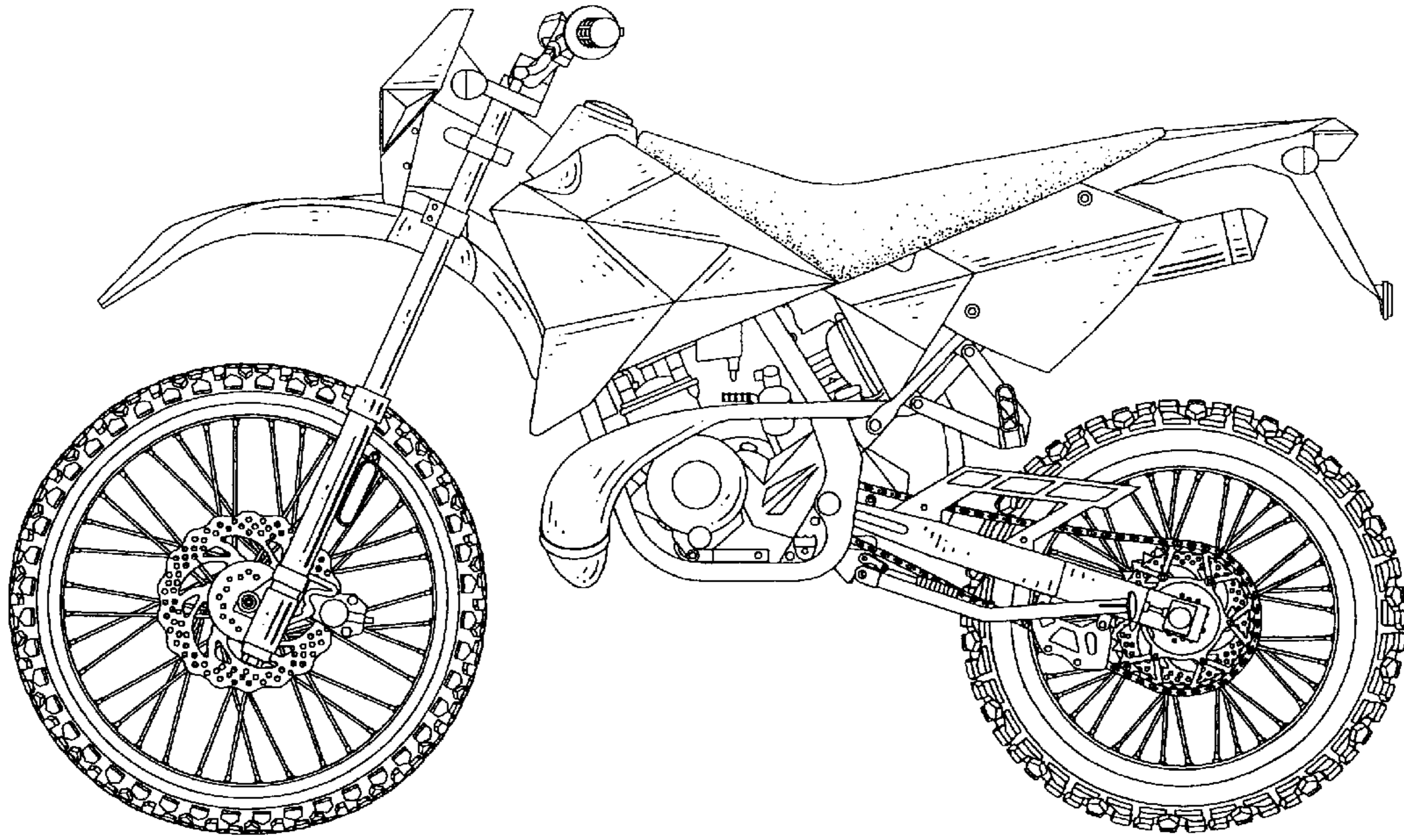


FIG.2

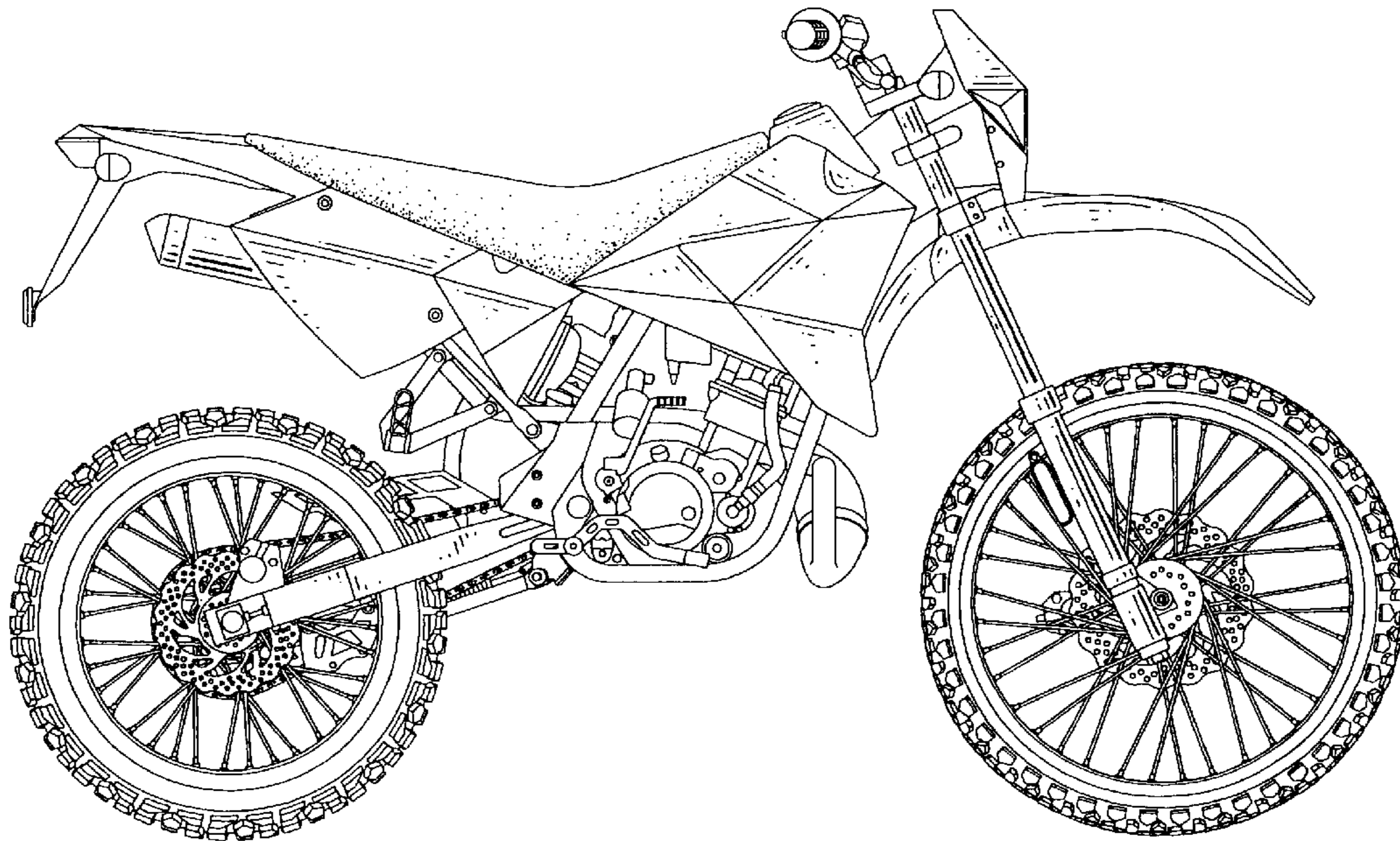


FIG.3

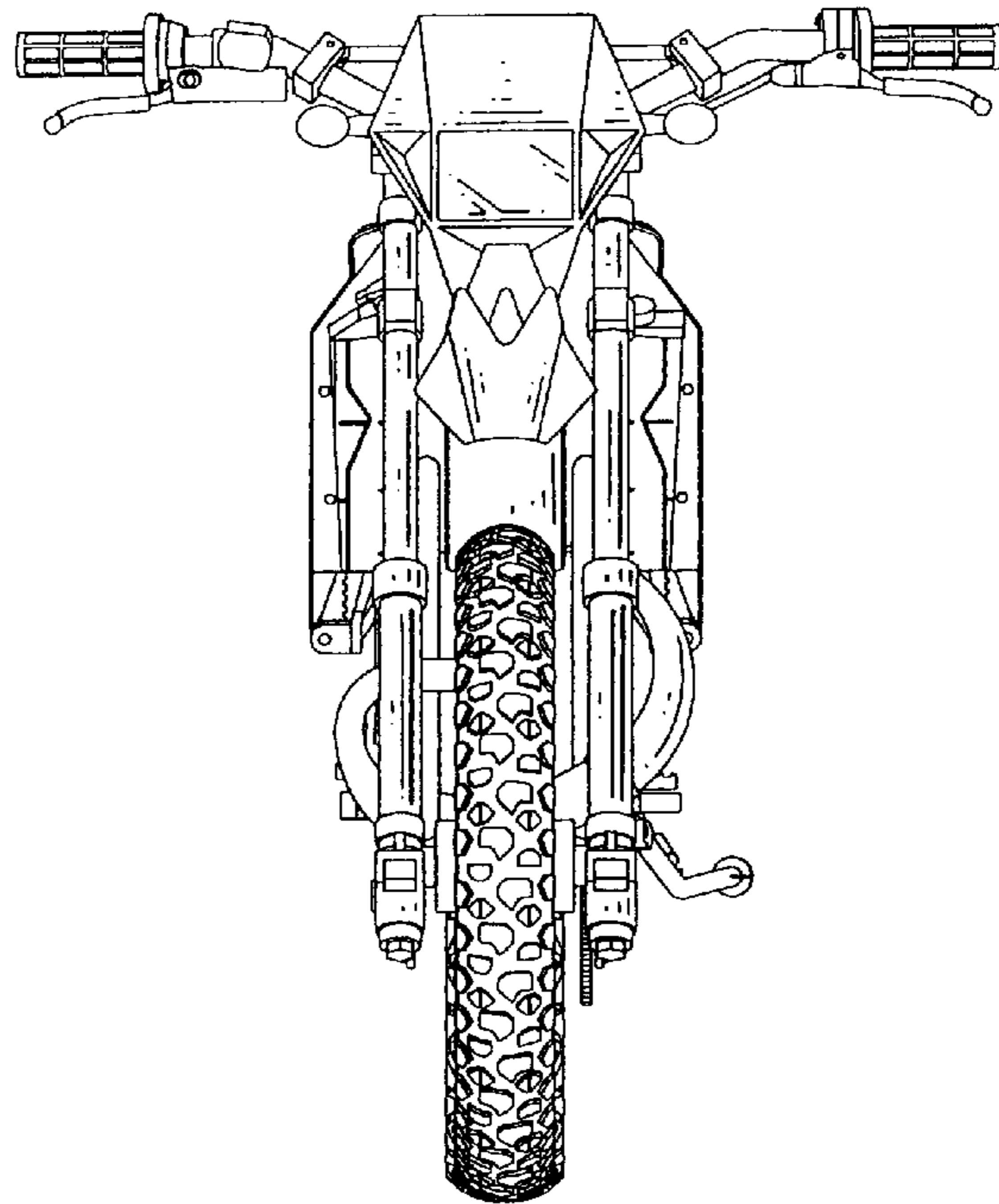


FIG. 4

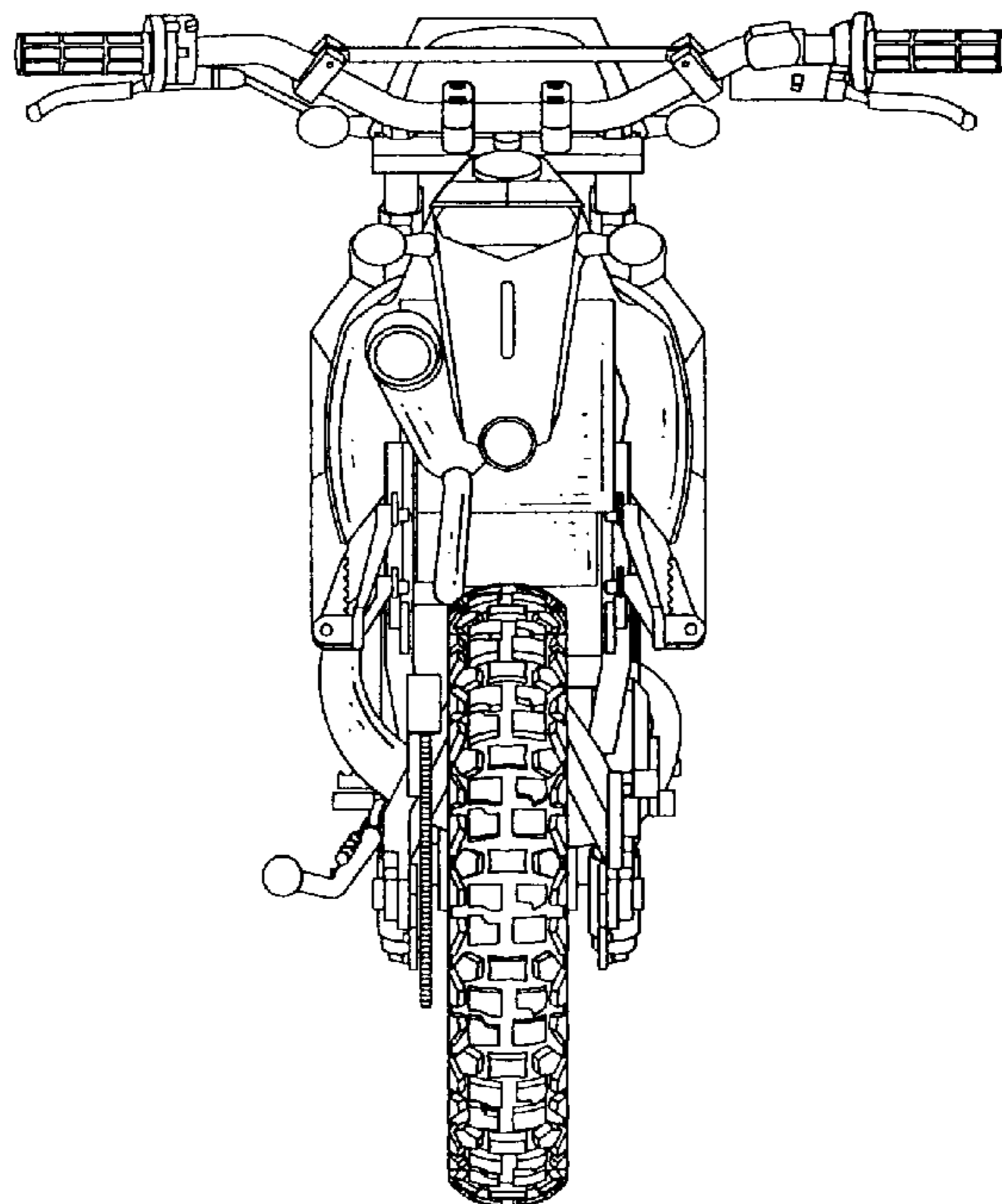


FIG. 5

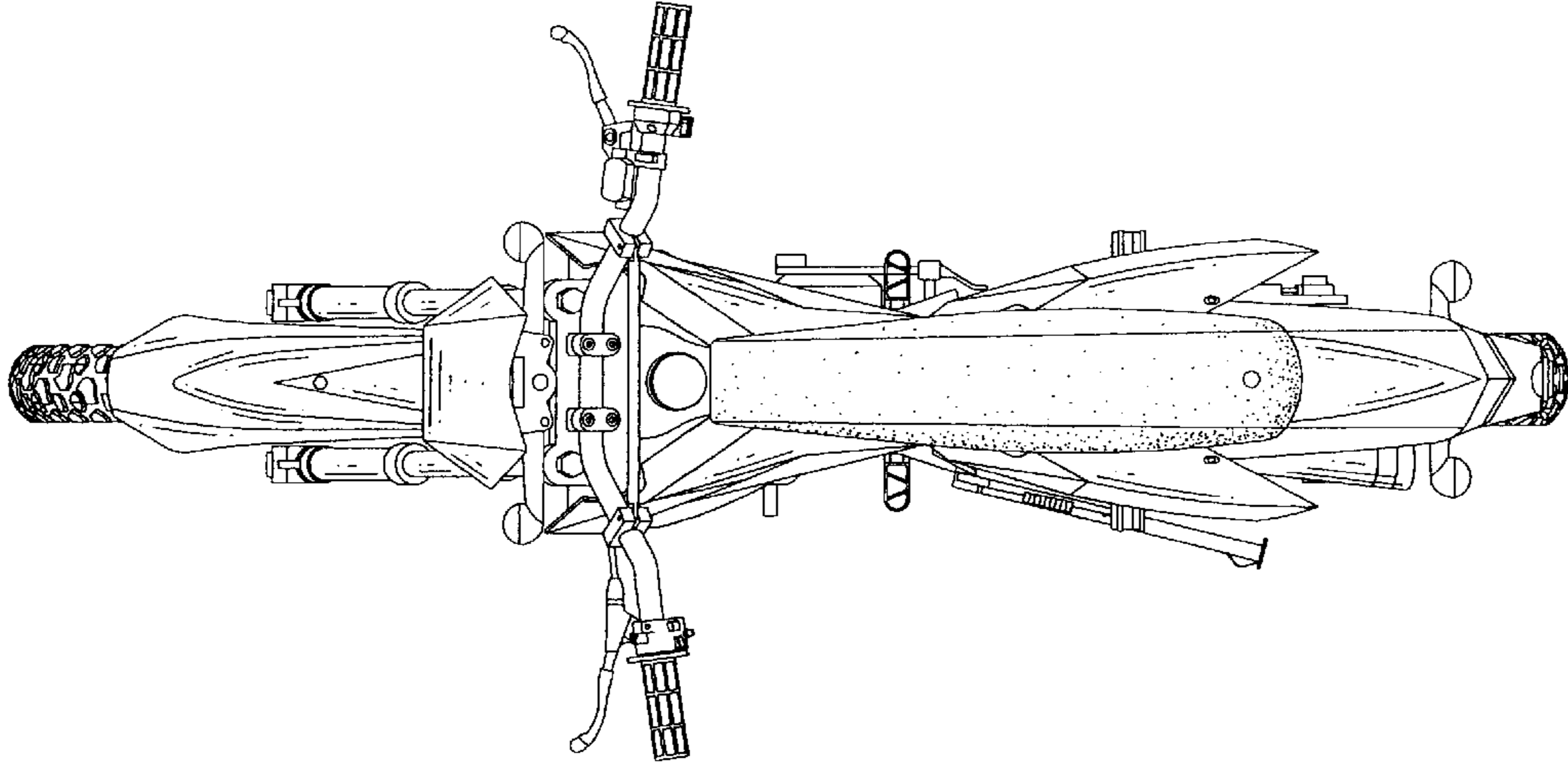


FIG. 6

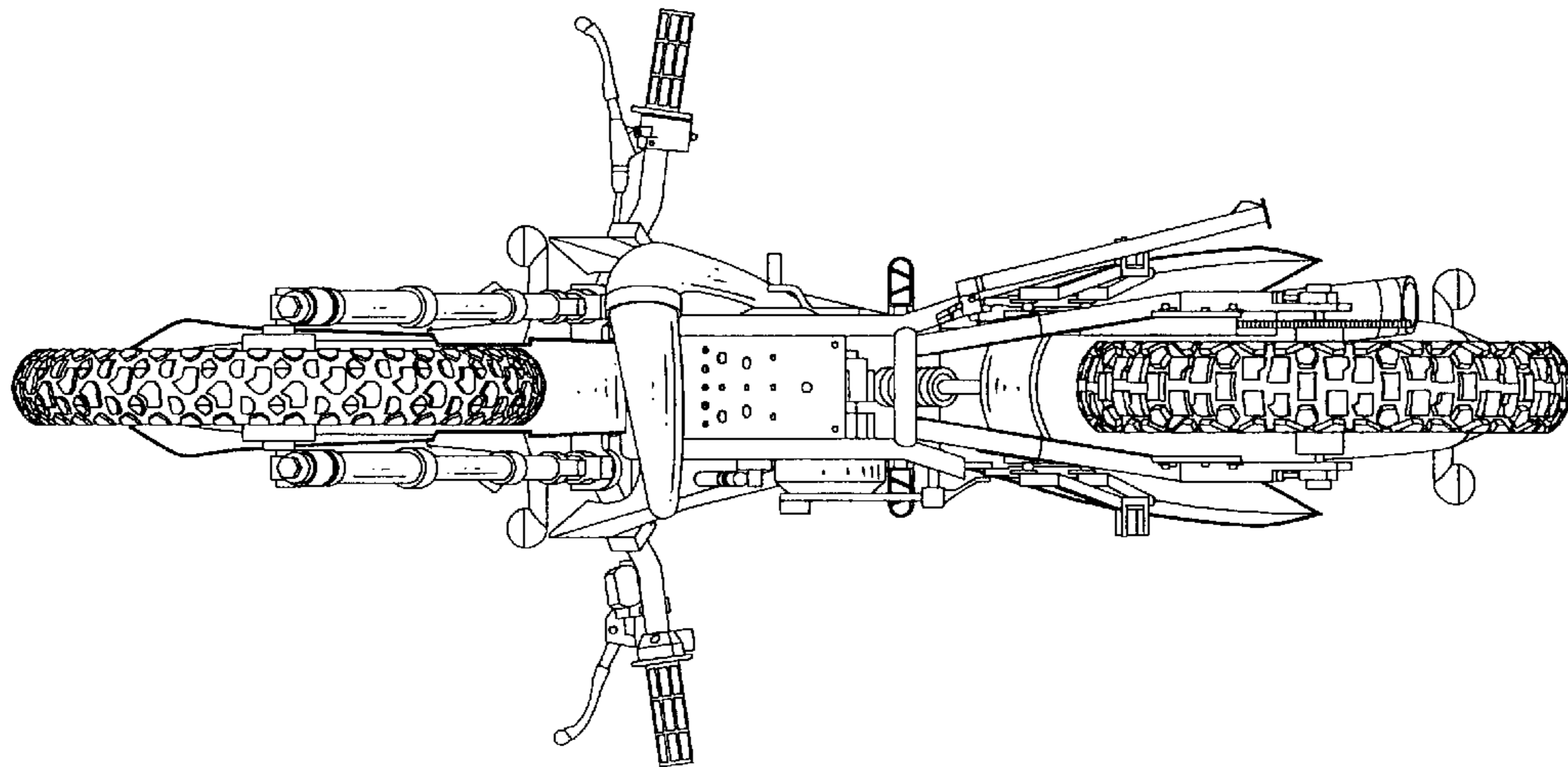


FIG. 7