



US00D513477S

(12) **United States Design Patent**  
**Heftman**

(10) **Patent No.:** **US D513,477 S**  
(45) **Date of Patent:** **\*\* Jan. 10, 2006**

(54) **BEACON**  
(75) **Inventor:** **George Heftman**, Stortford (GB)  
(73) **Assignee:** **Nicotech Limited**, Kings Langley (GB)  
(\*\*) **Term:** **14 Years**

4,215,390 A \* 7/1980 Brandt ..... 362/311  
4,270,162 A \* 5/1981 Cherouge ..... 362/311  
D261,048 S \* 9/1981 Price ..... D26/24  
5,929,788 A \* 7/1999 Vukosic ..... 340/908.1  
6,456,240 B1 \* 9/2002 Cesulka ..... 342/463  
6,483,439 B1 \* 11/2002 Vukosic ..... 340/815.65  
6,572,247 B2 \* 6/2003 Liu ..... 362/311  
6,657,382 B2 \* 12/2003 Nagai et al. .... 313/512

(21) **Appl. No.:** **29/210,723**  
(22) **Filed:** **Aug. 5, 2004**  
(30) **Foreign Application Priority Data**

May 18, 2004 (EM) ..... 178744

(51) **LOC (8) Cl.** ..... **10-05**  
(52) **U.S. Cl.** ..... **D10/111; D10/114**  
(58) **Field of Classification Search** ..... D26/85,  
D26/44, 36, 28, 124; D10/114, 113, 109,  
D10/104, 106; 116/63; 362/311, 317; 359/547,  
359/531; 340/981, 908, 908.1, 815.45, 332,  
340/297, 471, 473, 800, 815.65; 404/12-15,  
404/9, 72, 16

See application file for complete search history.

(56) **References Cited**

**U.S. PATENT DOCUMENTS**

1,783,136 A \* 11/1930 Paisely ..... 362/311  
1,903,748 A \* 4/1933 Woolums et al. .... 404/16  
3,852,584 A \* 12/1974 Levin ..... 362/216  
D238,563 S \* 1/1976 Herbert ..... D10/109

\* cited by examiner

*Primary Examiner*—Cathron C. Brooks  
*Assistant Examiner*—Austin Murphy  
(74) *Attorney, Agent, or Firm*—Davis & Bujold, P.L.L.C.

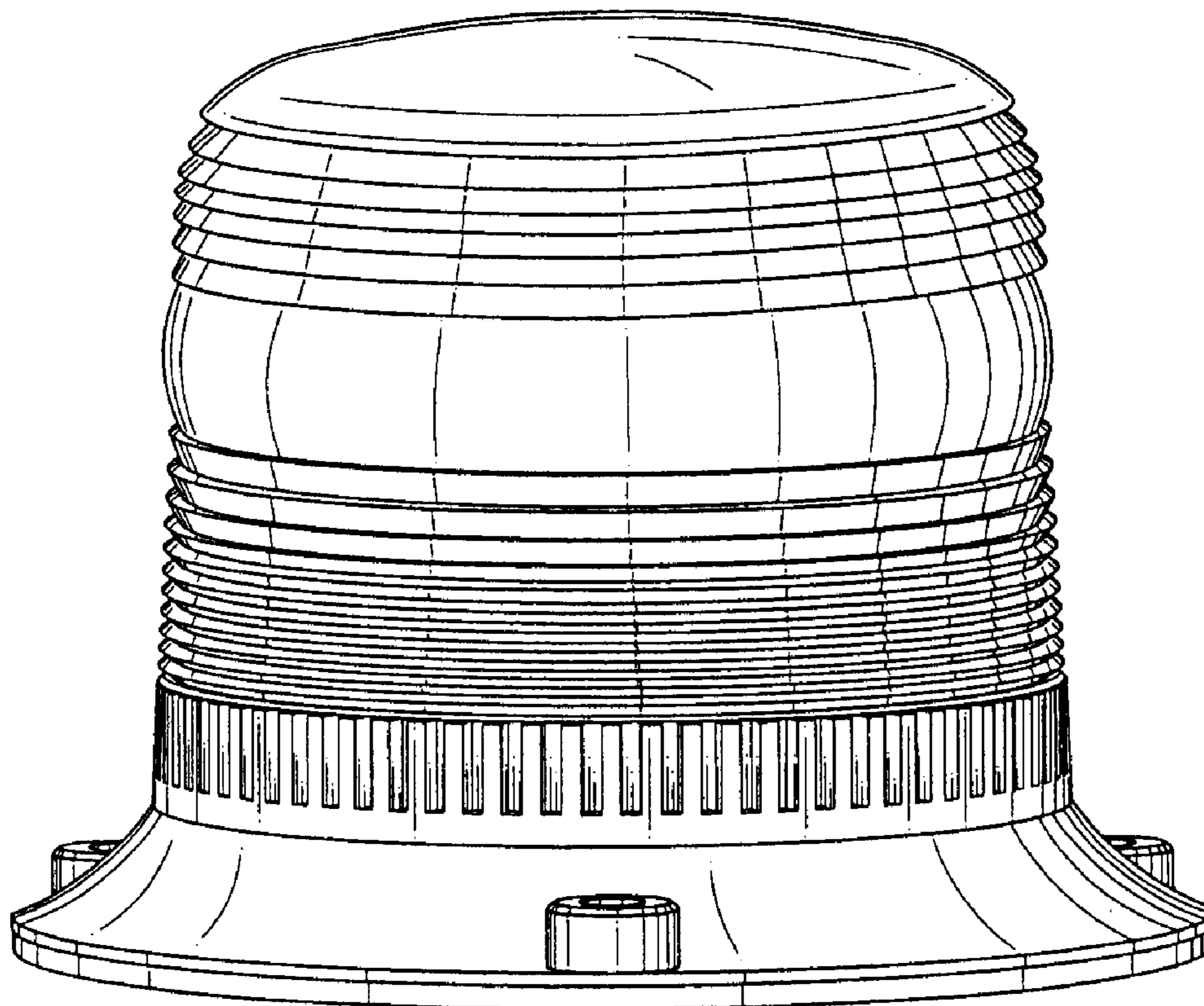
(57) **CLAIM**

I claim the ornamental design for a beacon, as shown and described.

**DESCRIPTION**

FIG. 1 is a front top perspective view of the beacon embodying my new design;  
FIG. 2 is a front elevational view thereof;  
FIG. 3 is a rear elevational view thereof;  
FIG. 4 is a right side elevational view thereof, the left side elevational view being a mirror image thereof; and,  
FIG. 5 is a top plan view thereof.  
The bottom view of the beacon is not claimed and does not form part of the claimed design.

**1 Claim, 3 Drawing Sheets**



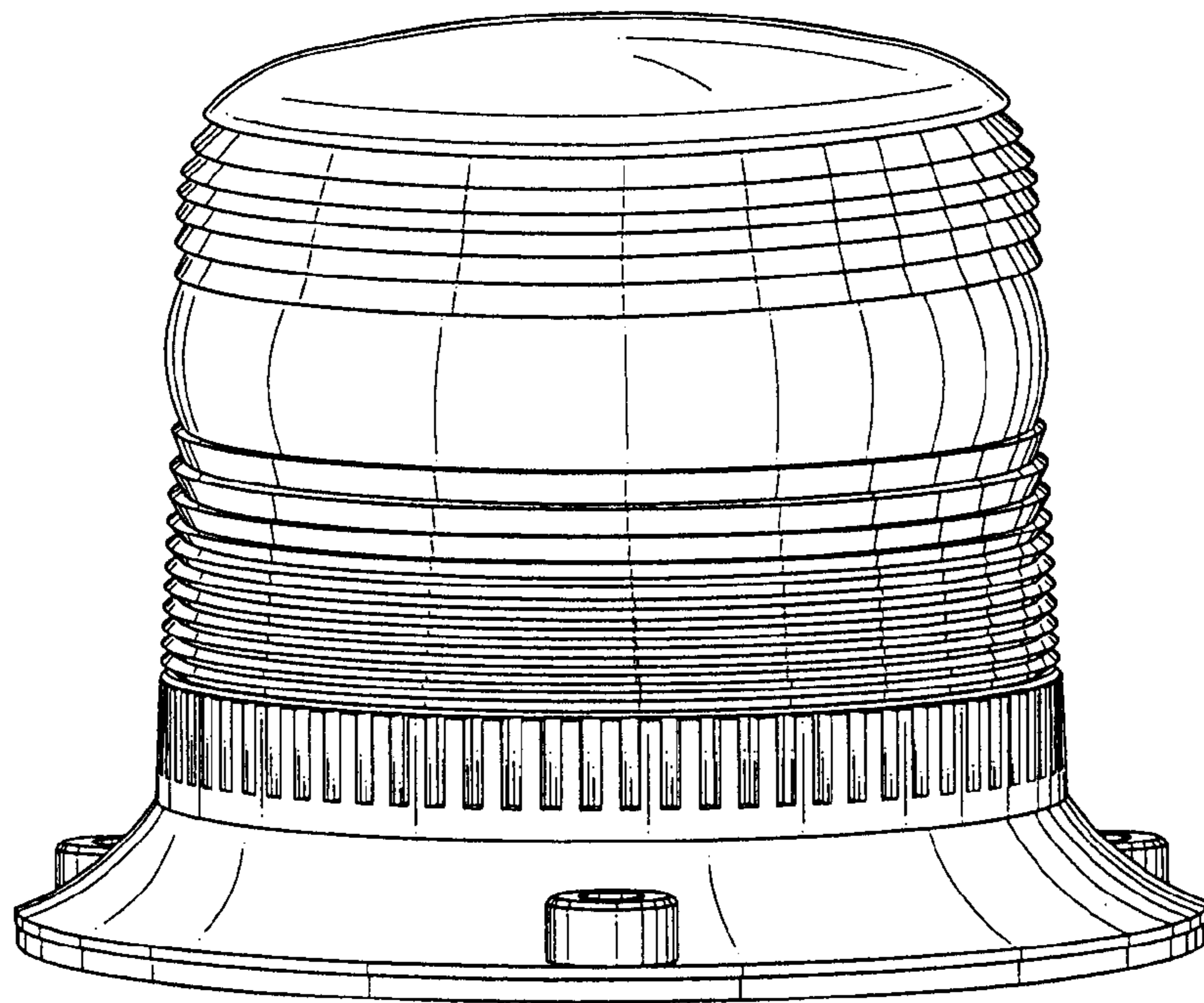


FIG. 1

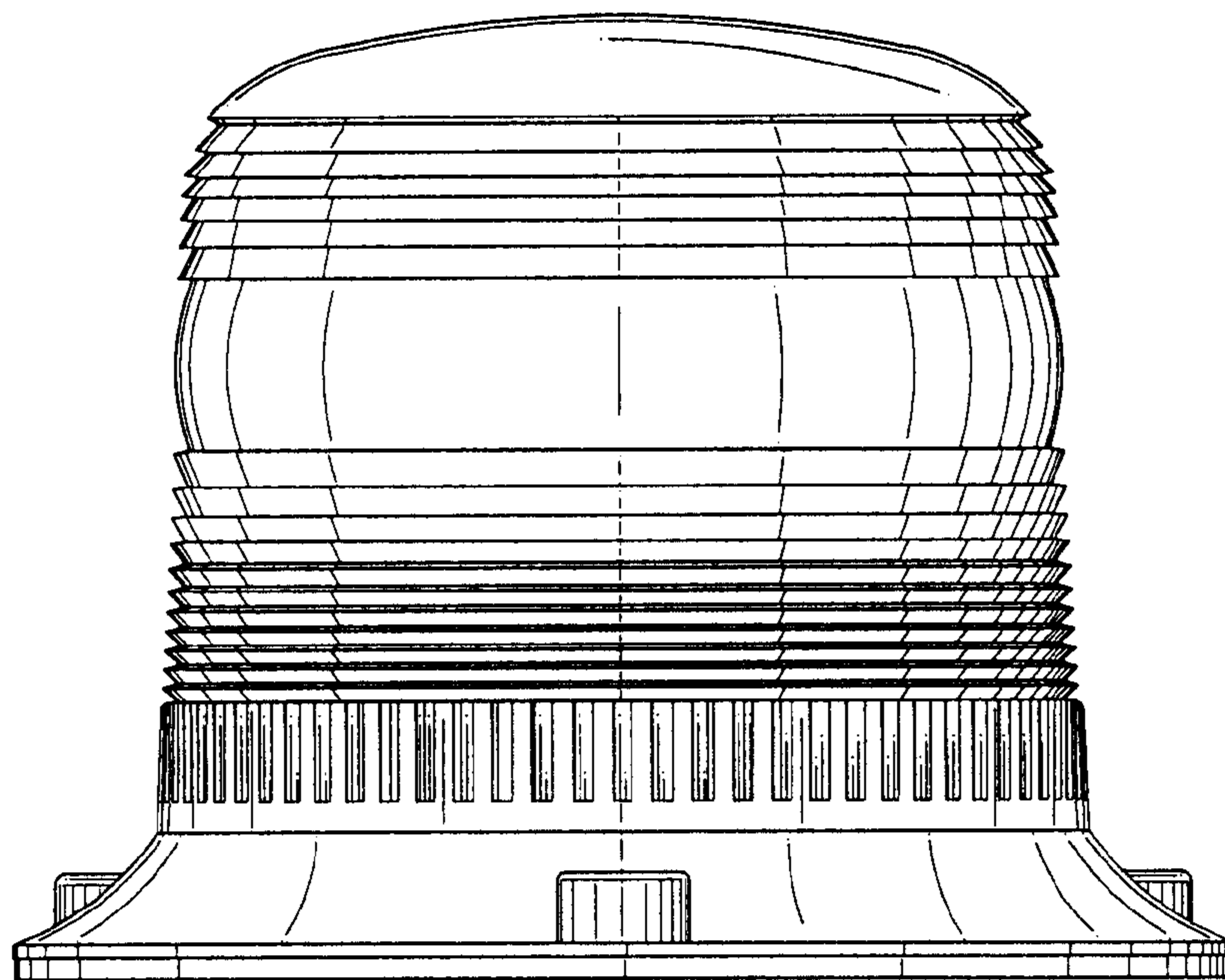


FIG. 2

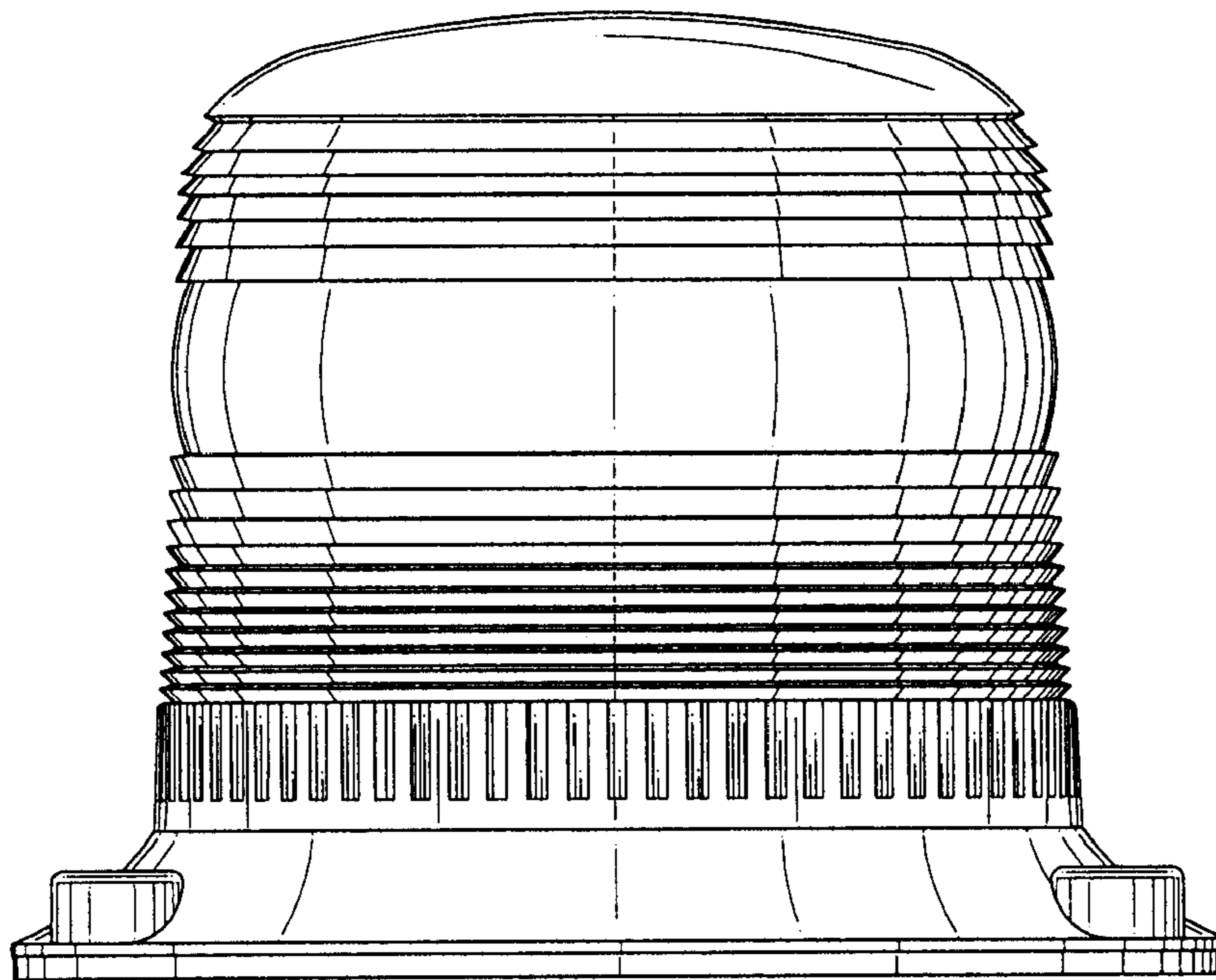


FIG. 3

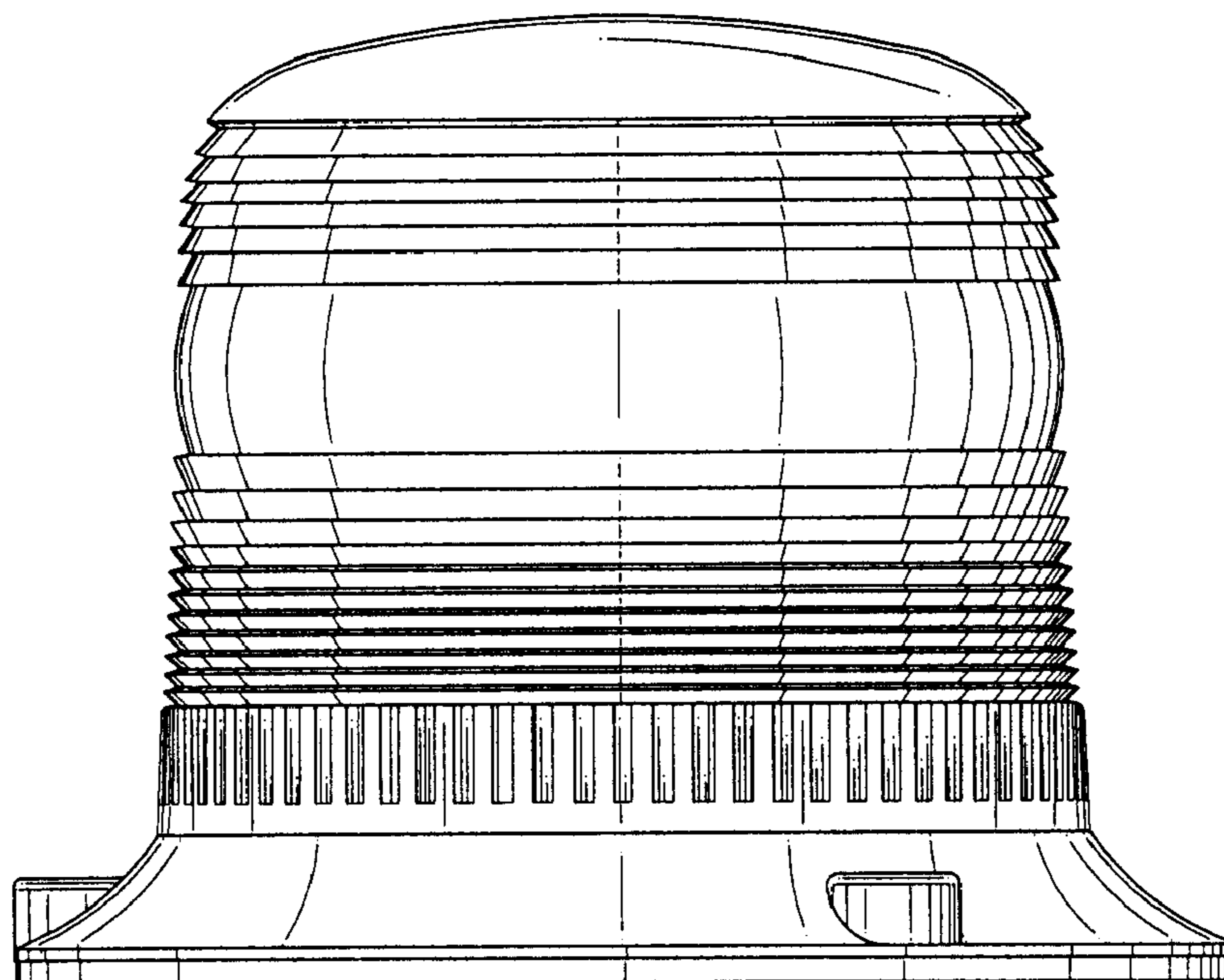


FIG. 4

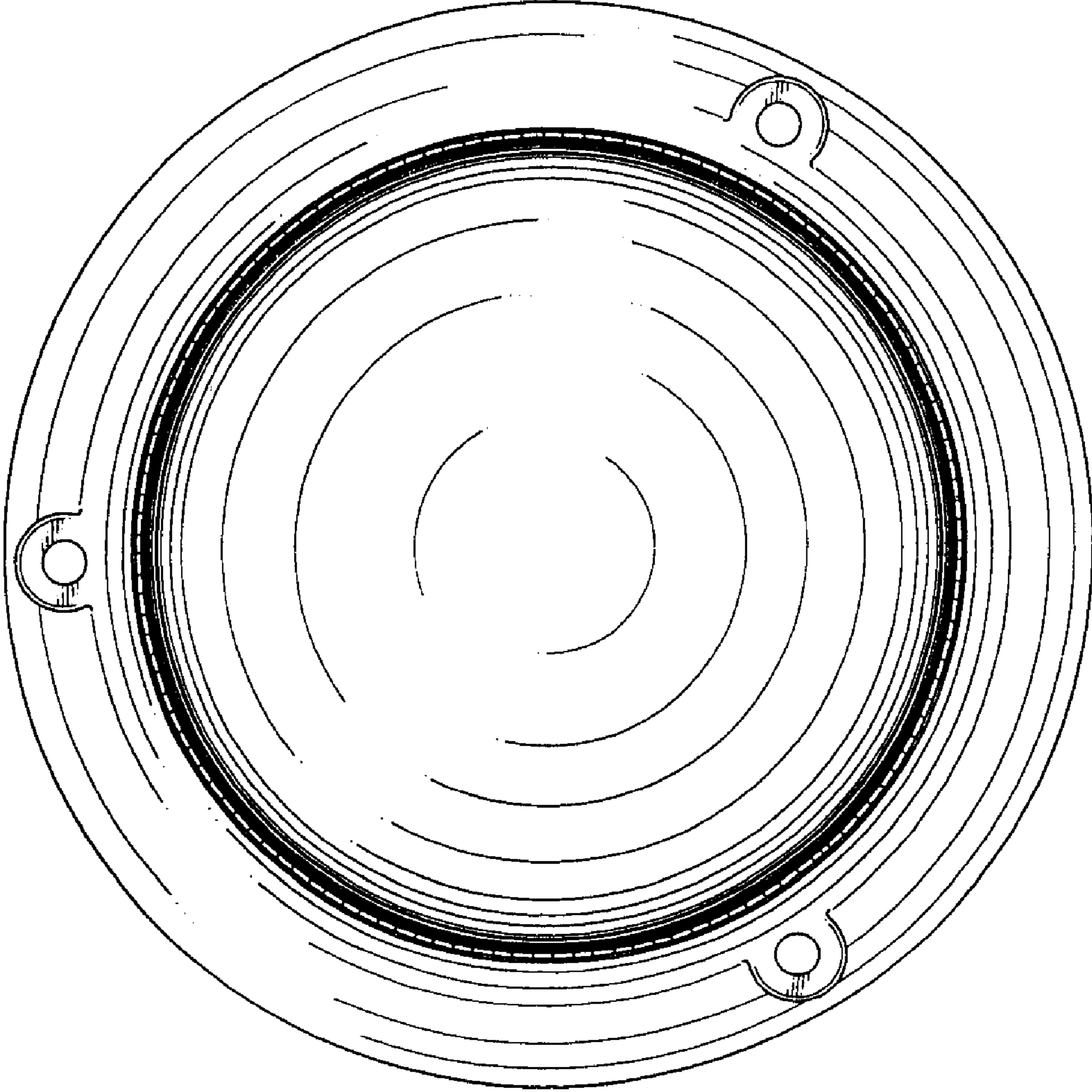


FIG.5