



US00D513476S

(12) **United States Design Patent**  
**Koberling**

(10) **Patent No.:** **US D513,476 S**  
(45) **Date of Patent:** **\*\* Jan. 10, 2006**

(54) **PERSONAL WEIGHING SCALE**  
(75) Inventor: **Toni Koberling**, Hamburg (DE)  
(73) Assignee: **seca GmbH**, Hamburg (DE)  
(\*\*) Term: **14 Years**

*Primary Examiner*—Antoine D. Davis  
(74) *Attorney, Agent, or Firm*—Nixon & Vanderhye P.C.

(57) **CLAIM**

The ornamental design for a “personal weighing scale,” as shown and described.

(21) Appl. No.: **29/215,728**  
(22) Filed: **Oct. 25, 2004**  
(30) **Foreign Application Priority Data**  
Apr. 26, 2004 (DE) ..... 4 04 02 695  
(51) **LOC (8) Cl.** ..... **10-04**  
(52) **U.S. Cl.** ..... **D10/93**  
(58) **Field of Classification Search** ..... D10/93;  
177/238–241, 47, 211; 600/506, 547  
See application file for complete search history.

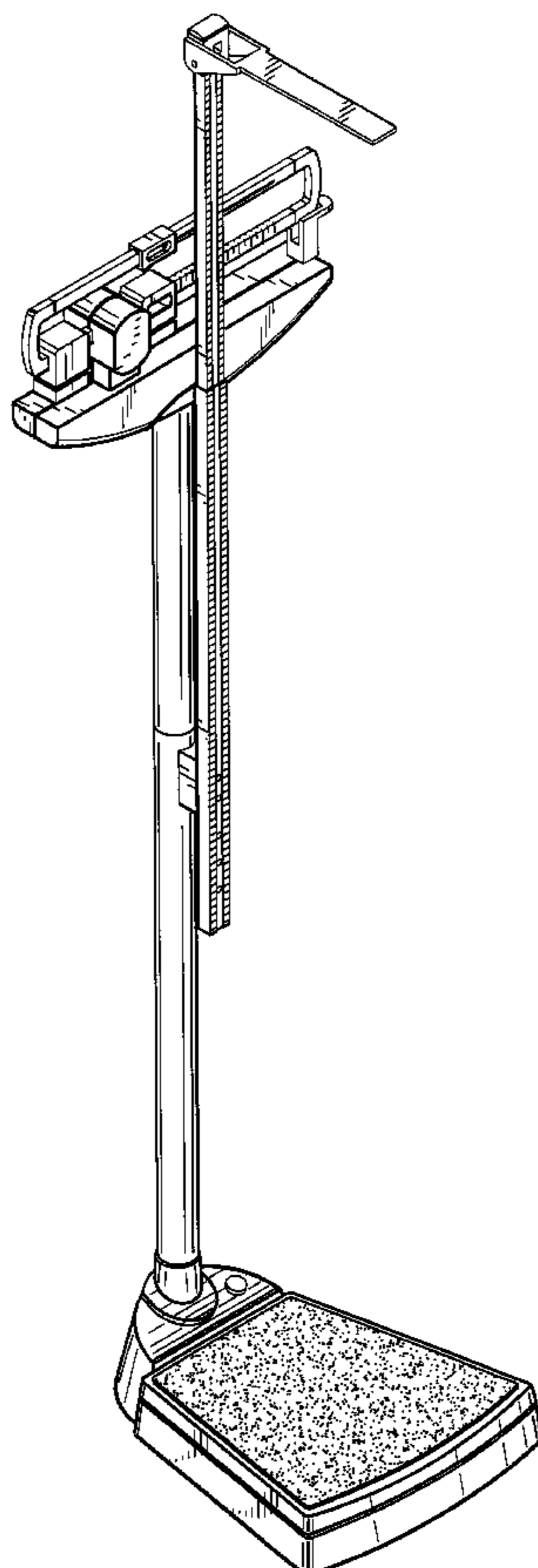
**DESCRIPTION**

FIG. 1 is a perspective view of a personal weighing scale in accordance with an exemplary embodiment of my new design, with a height indicator in an extended position;  
FIG. 2 is a front elevation thereof;  
FIG. 3 is a rear elevation thereof;  
FIG. 4 is a left side elevation view thereof;  
FIG. 5 is a right side elevation view thereof;  
FIG. 6 is a top plan view thereof;  
FIG. 7 is a perspective view of the personal weighing scale in accordance with my new design, with the height indicator shown in a retracted position;  
FIG. 8 is a front elevation view thereof;  
FIG. 9 is a rear elevation view thereof;  
FIG. 10 is a left side elevation thereof;  
FIG. 11 is a right side elevation thereof; and,  
FIG. 12 is a top plan view thereof.

(56) **References Cited**  
**U.S. PATENT DOCUMENTS**  
4,750,575 A \* 6/1988 Carnevale et al. .... 177/47  
D305,993 S \* 2/1990 Carnevale et al. .... D10/93  
D456,291 S \* 4/2002 Montagnino et al. .... D10/93  
6,646,209 B2 \* 11/2003 Montagnino et al. .... 177/126

\* cited by examiner

**1 Claim, 12 Drawing Sheets**



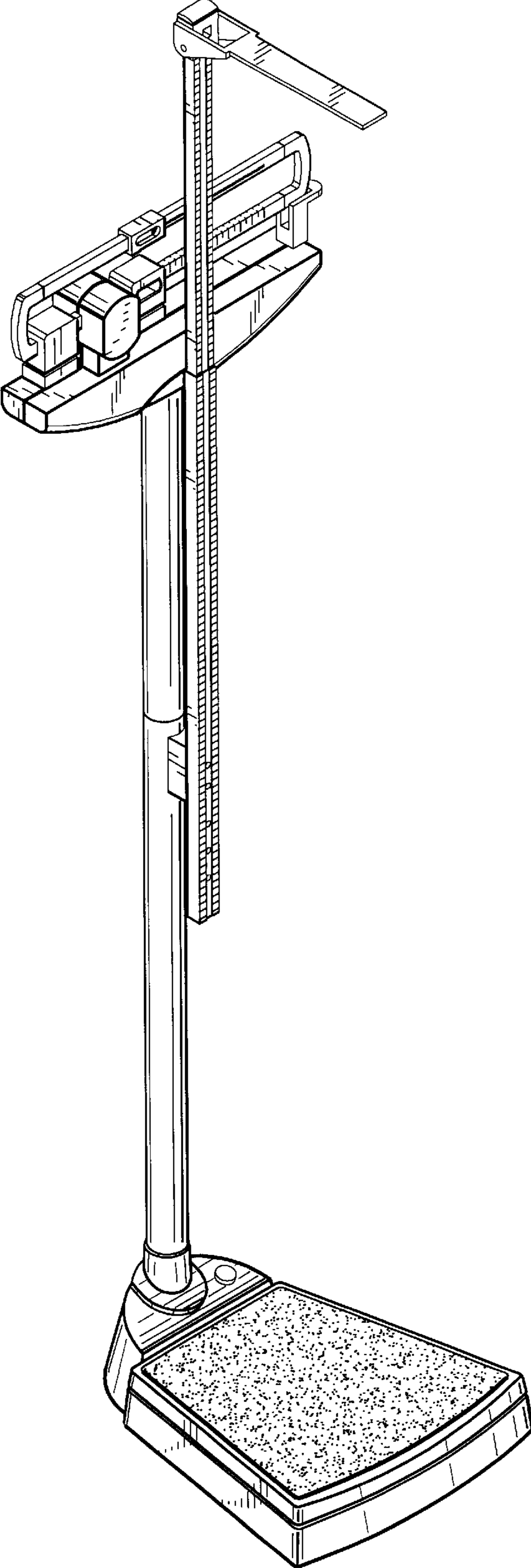


Fig. 1

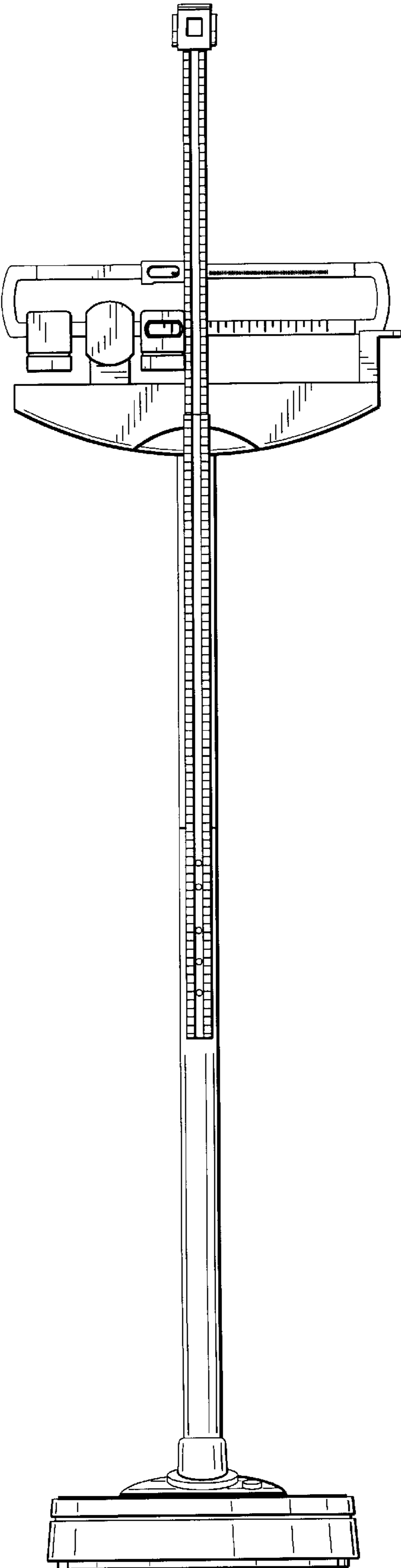


Fig. 2

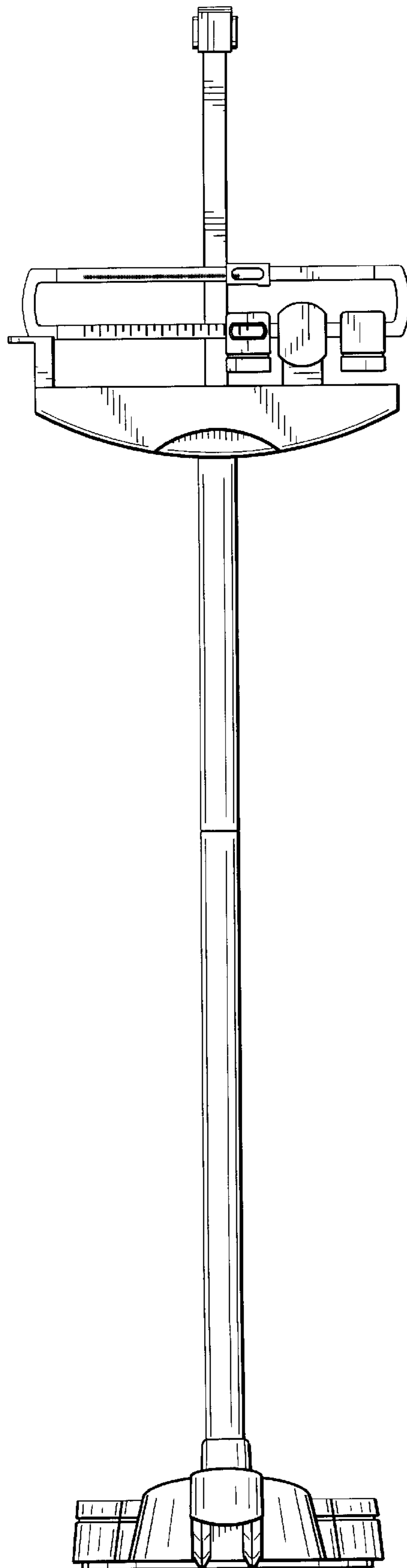


Fig. 3

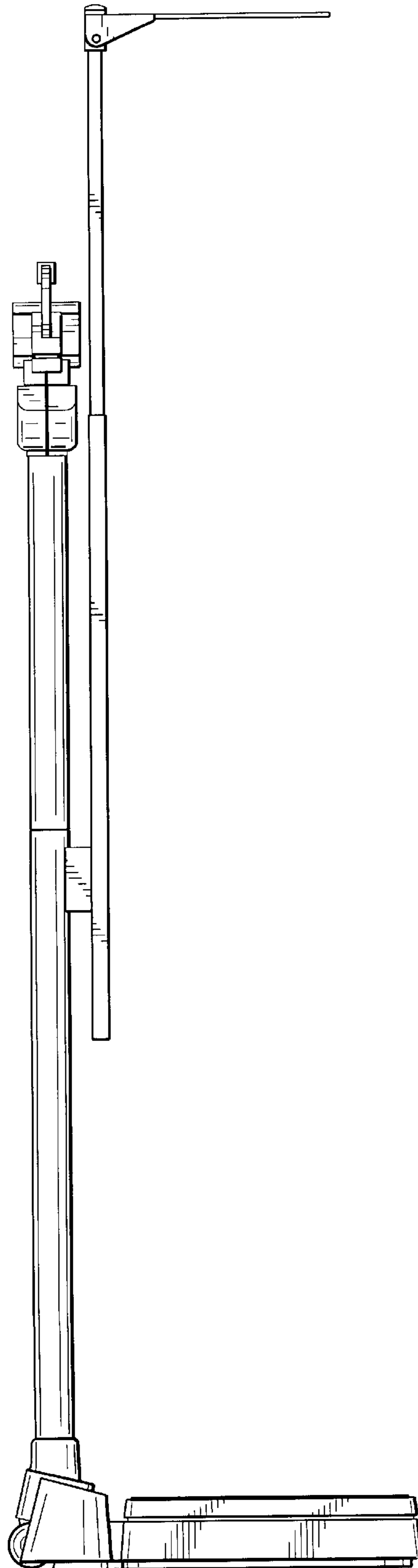


Fig. 4

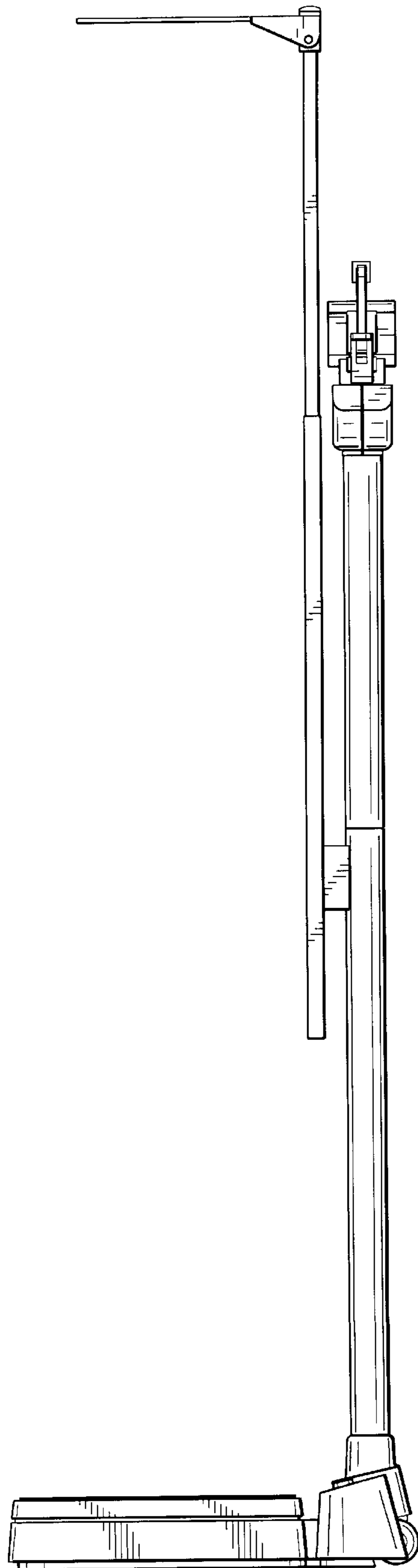


Fig. 5

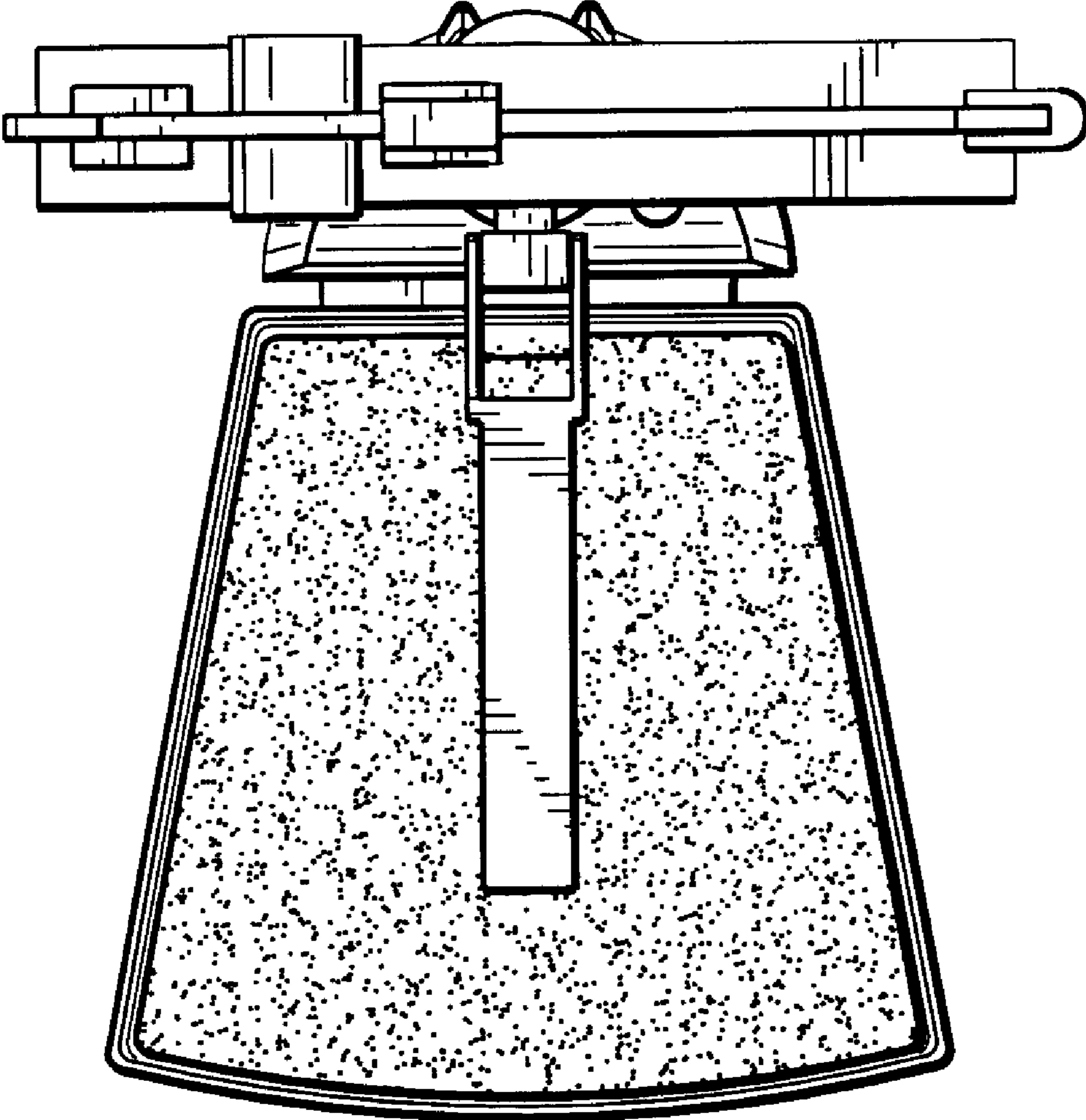


Fig. 6

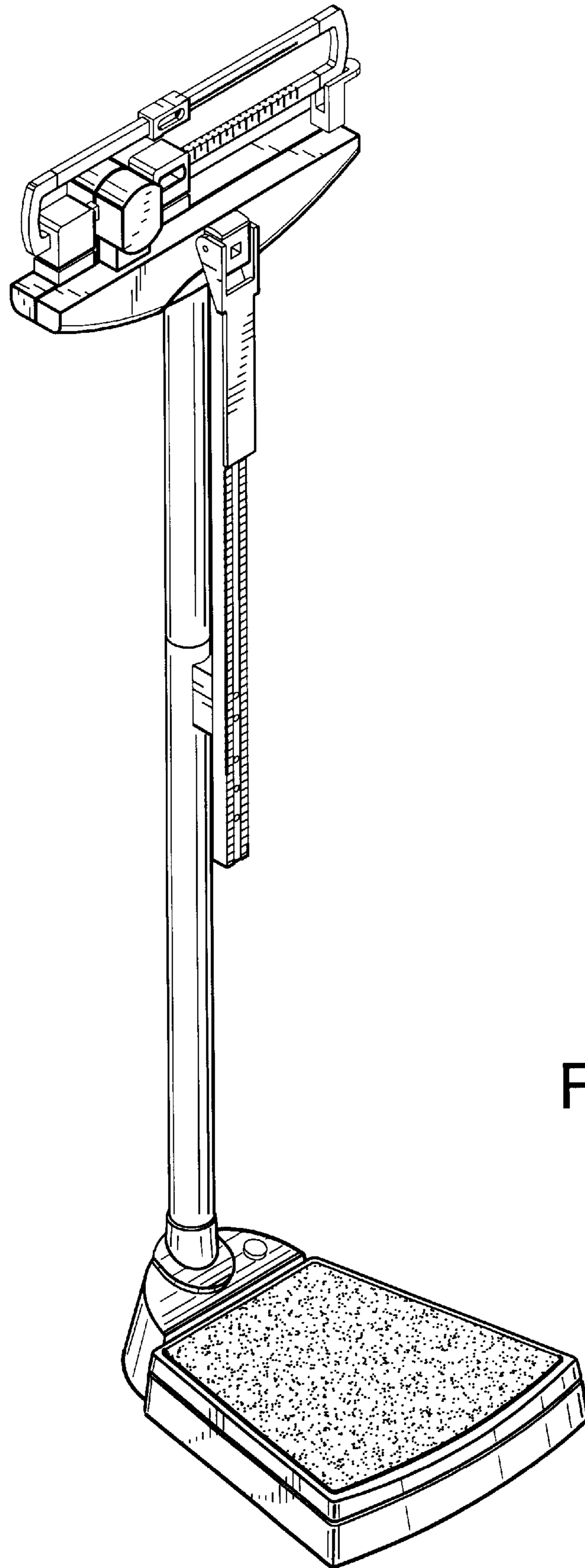


Fig. 7



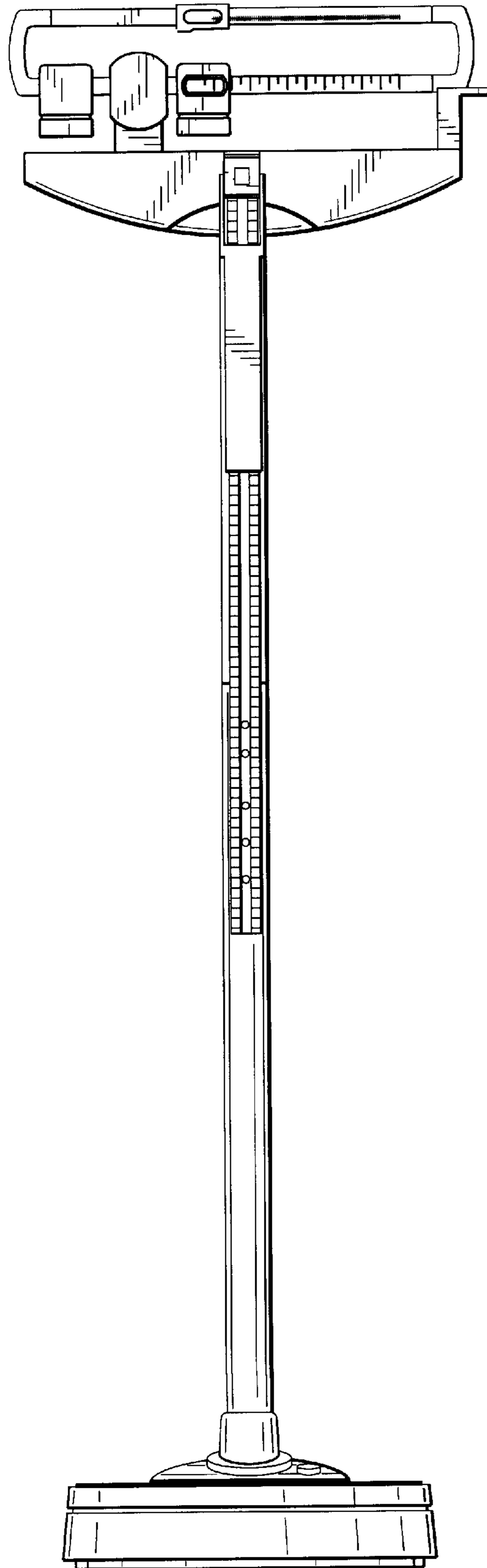


Fig. 8

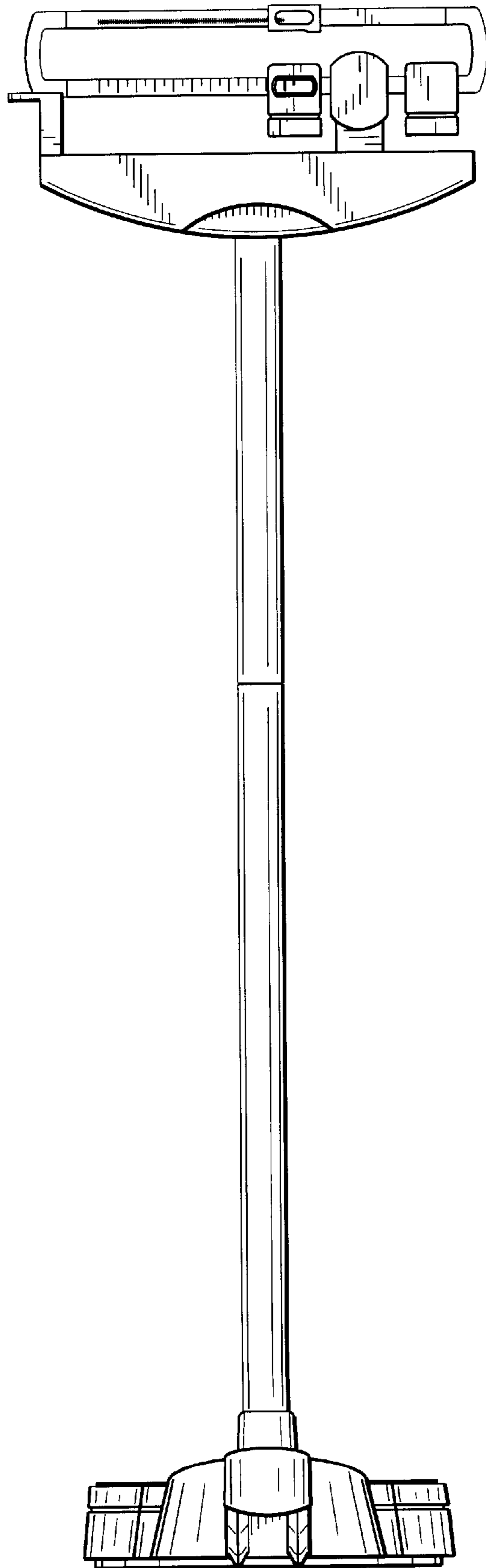


Fig. 9

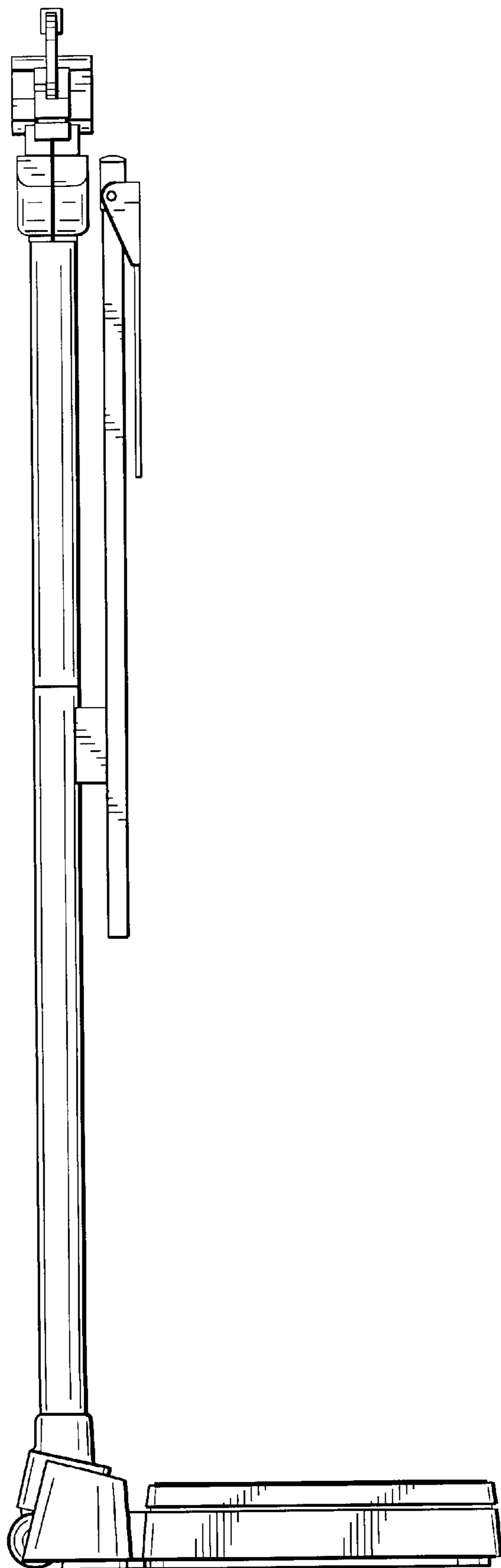


Fig. 10

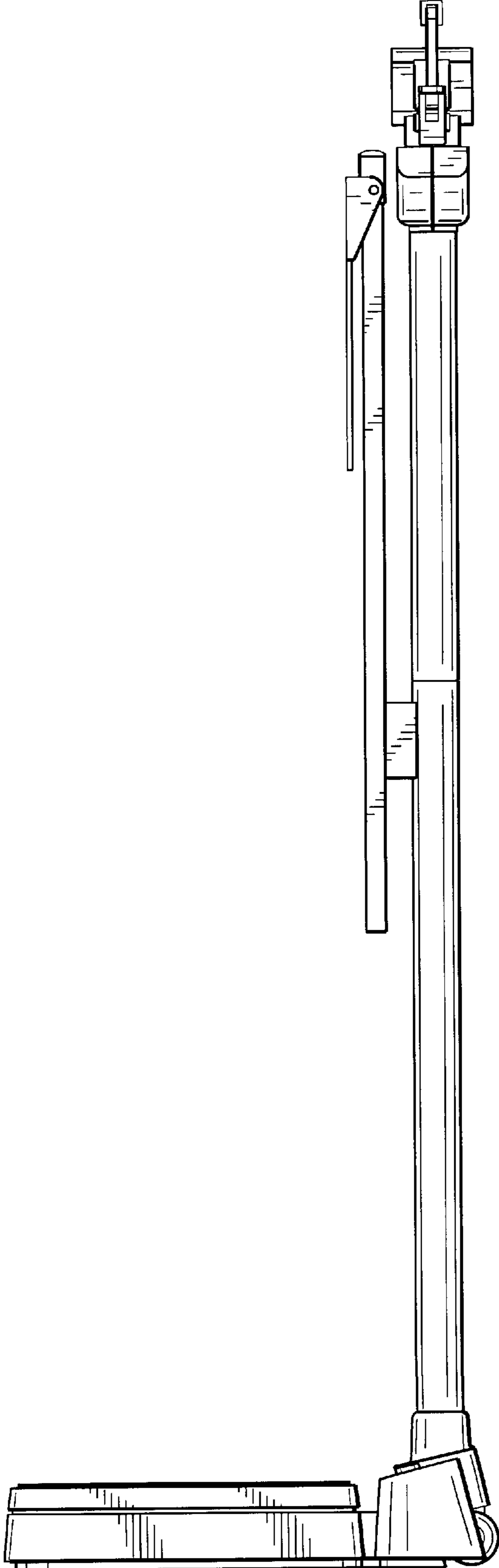


Fig. 11

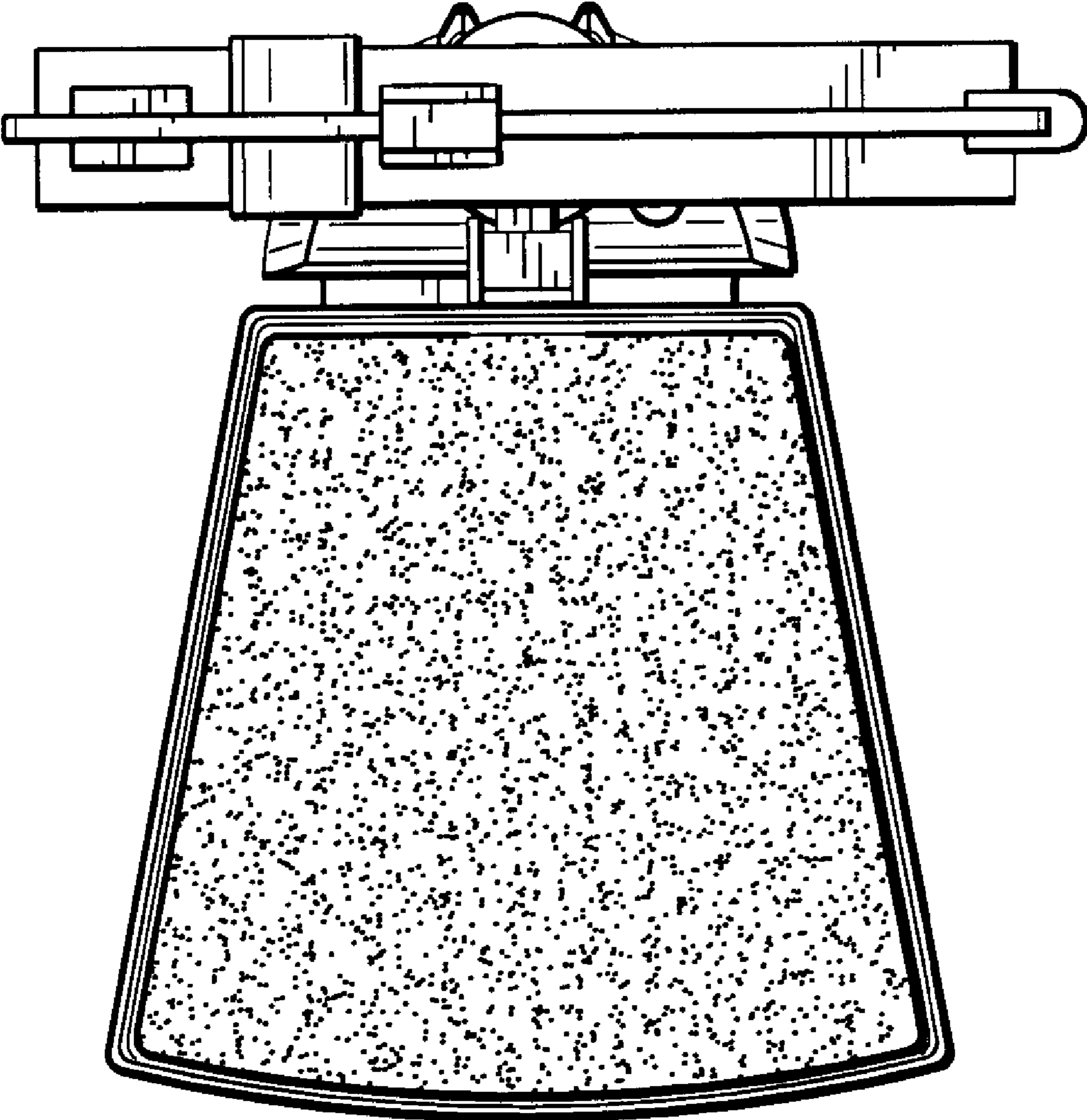


Fig. 12