



US00D513465S

(12) **United States Design Patent**
Carey

(10) **Patent No.:** **US D513,465 S**

(45) **Date of Patent:** **** Jan. 10, 2006**

(54) **PLUMBING TOOL**

(76) **Inventor:** **Carl A. Carey**, 5520 N. Federal Blvd.,
Denver, CO (US) 80221

(**) **Term:** **14 Years**

(21) **Appl. No.:** **29/212,231**

(22) **Filed:** **Aug. 30, 2004**

(51) **LOC (8) Cl.** **08-05**

(52) **U.S. Cl.** **D8/14**

(58) **Field of Classification Search** D8/14,
D8/21; 81/124.2, 176.15

See application file for complete search history.

(56) **References Cited**

U.S. PATENT DOCUMENTS

- 4,836,065 A * 6/1989 Setliff 81/124.2
- 5,048,378 A 9/1991 Nikolas
- 6,044,732 A 4/2000 Astle
- 6,439,343 B1 * 8/2002 Jorges et al. 182/92

- 6,564,679 B1 * 5/2003 Llamas et al. 81/176.15
- D480,933 S * 10/2003 Wendt D8/21
- 2003/0079574 A1 * 5/2003 Llamas et al. 81/176.15

* cited by examiner

Primary Examiner—Holly H. Baynham

(74) *Attorney, Agent, or Firm*—Mark A. Crossley; Crossley
Patent Law

(57) **CLAIM**

The ornamental design for a plumbing tool, as shown and
described.

DESCRIPTION

FIG. 1 is a front elevation view of a plumbing tool showing
my new design;

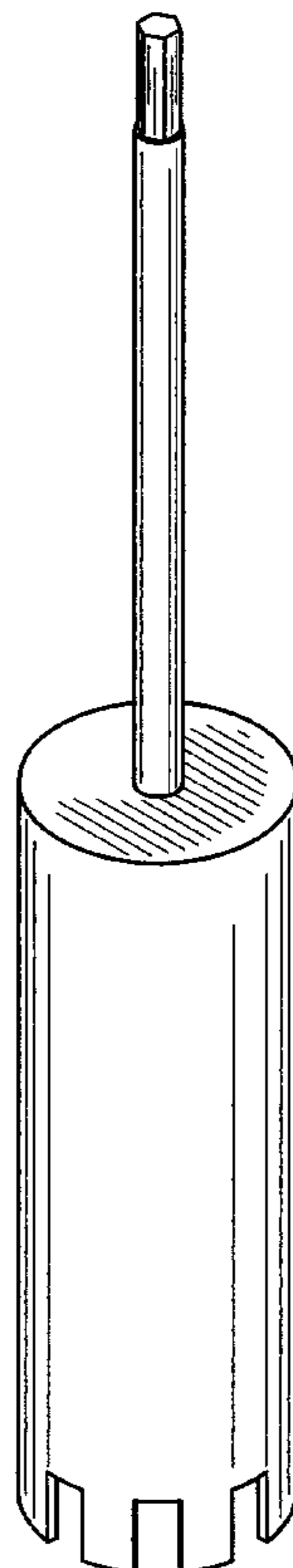
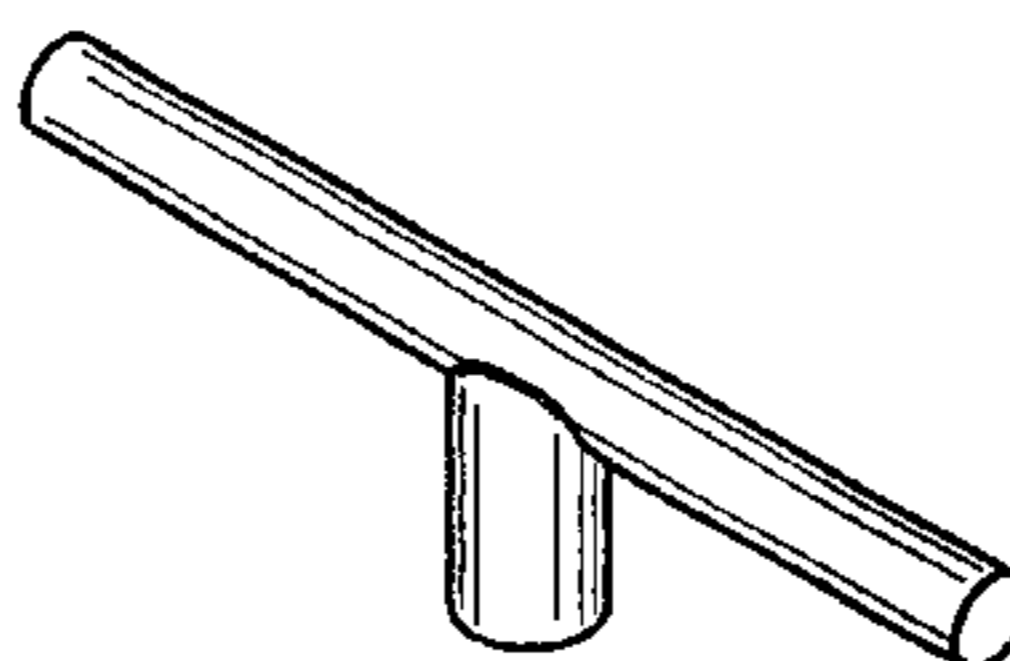
FIG. 2 is a right side view of my invention;

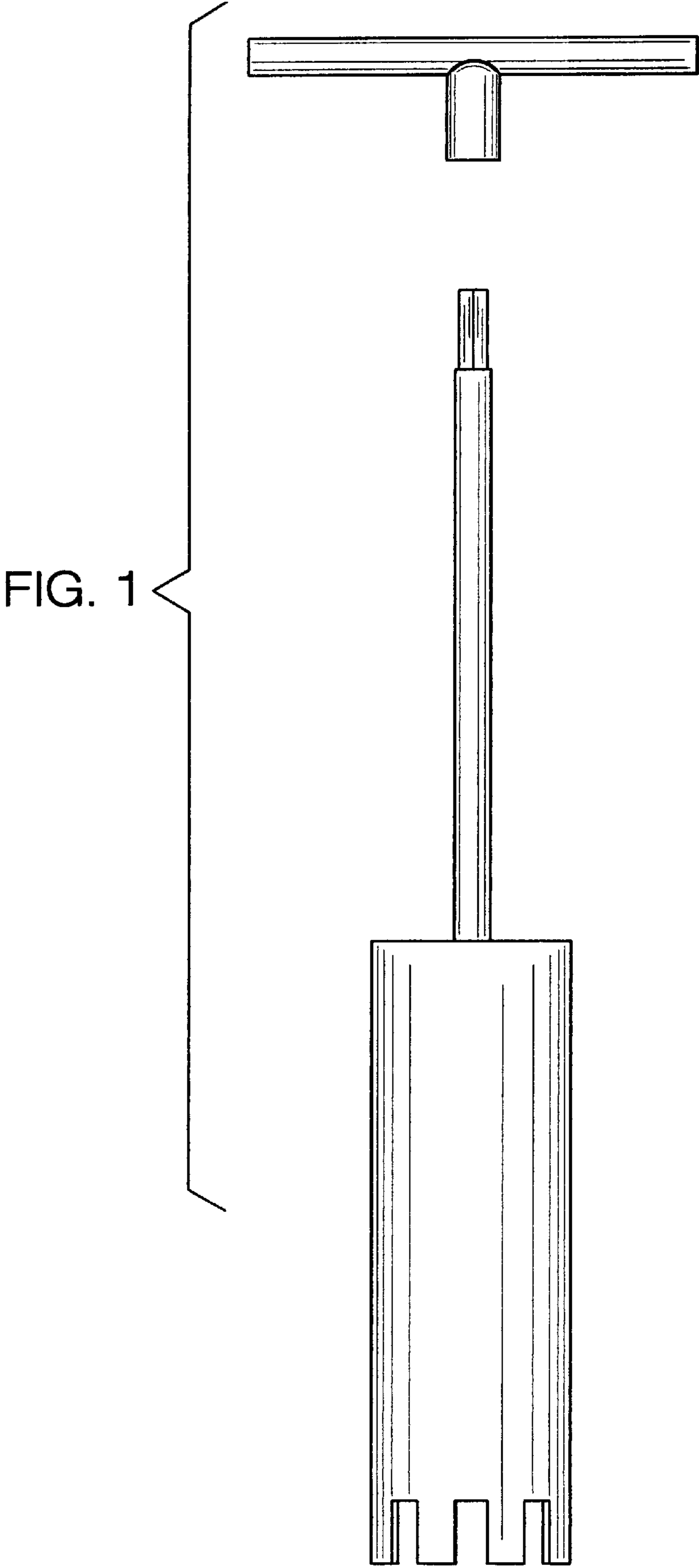
FIG. 3 is a top view of FIG. 1;

FIG. 4 is a bottom view; and,

FIG. 5 is a right side isometric view of my invention.

1 Claim, 3 Drawing Sheets





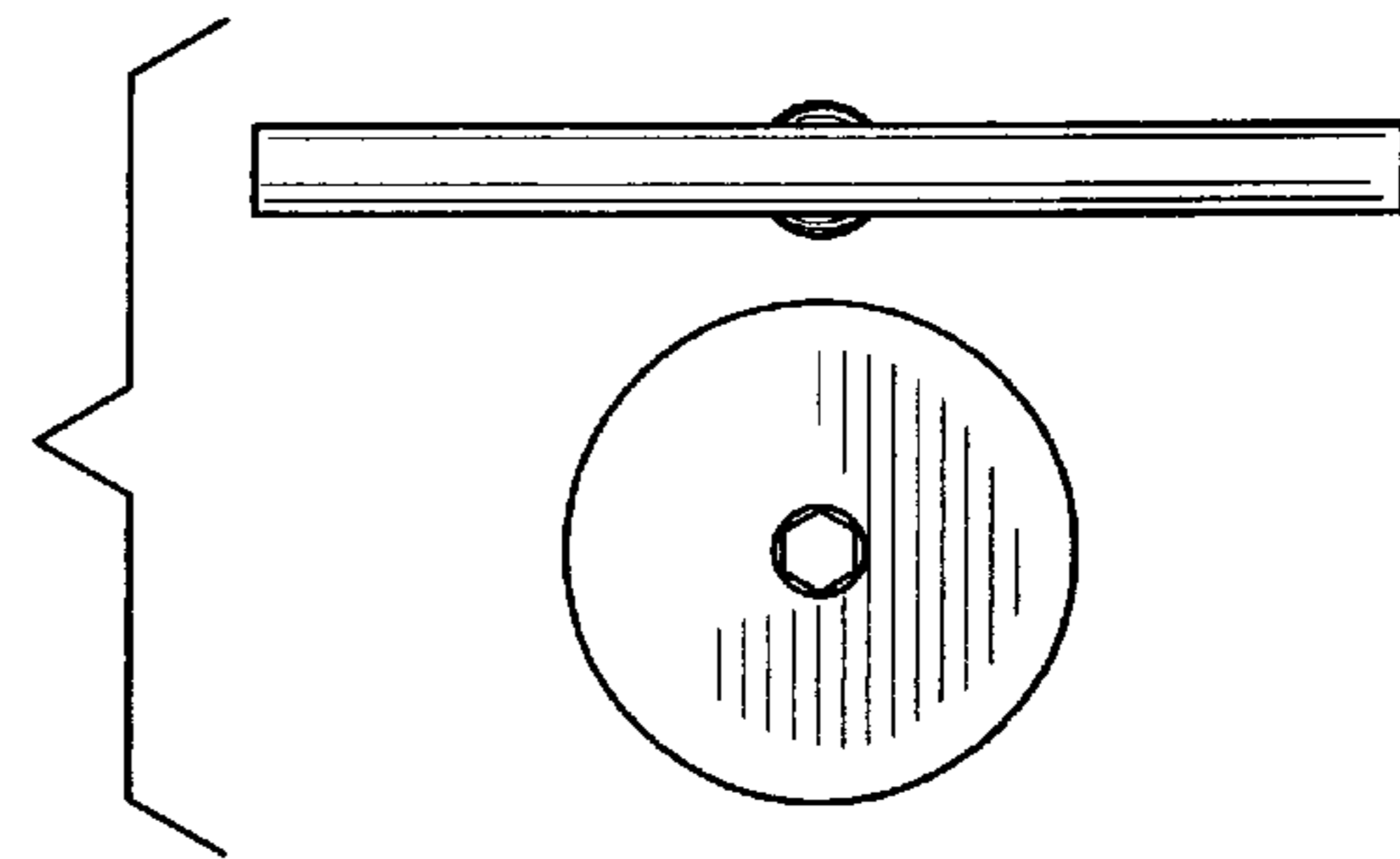
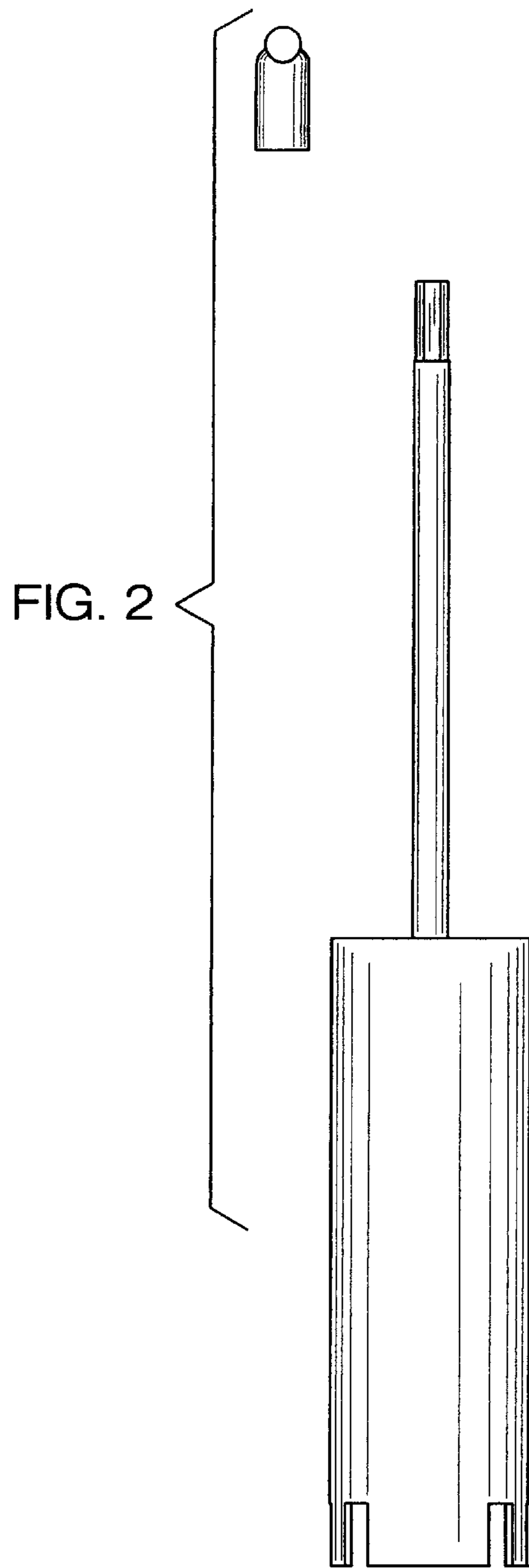


FIG. 3

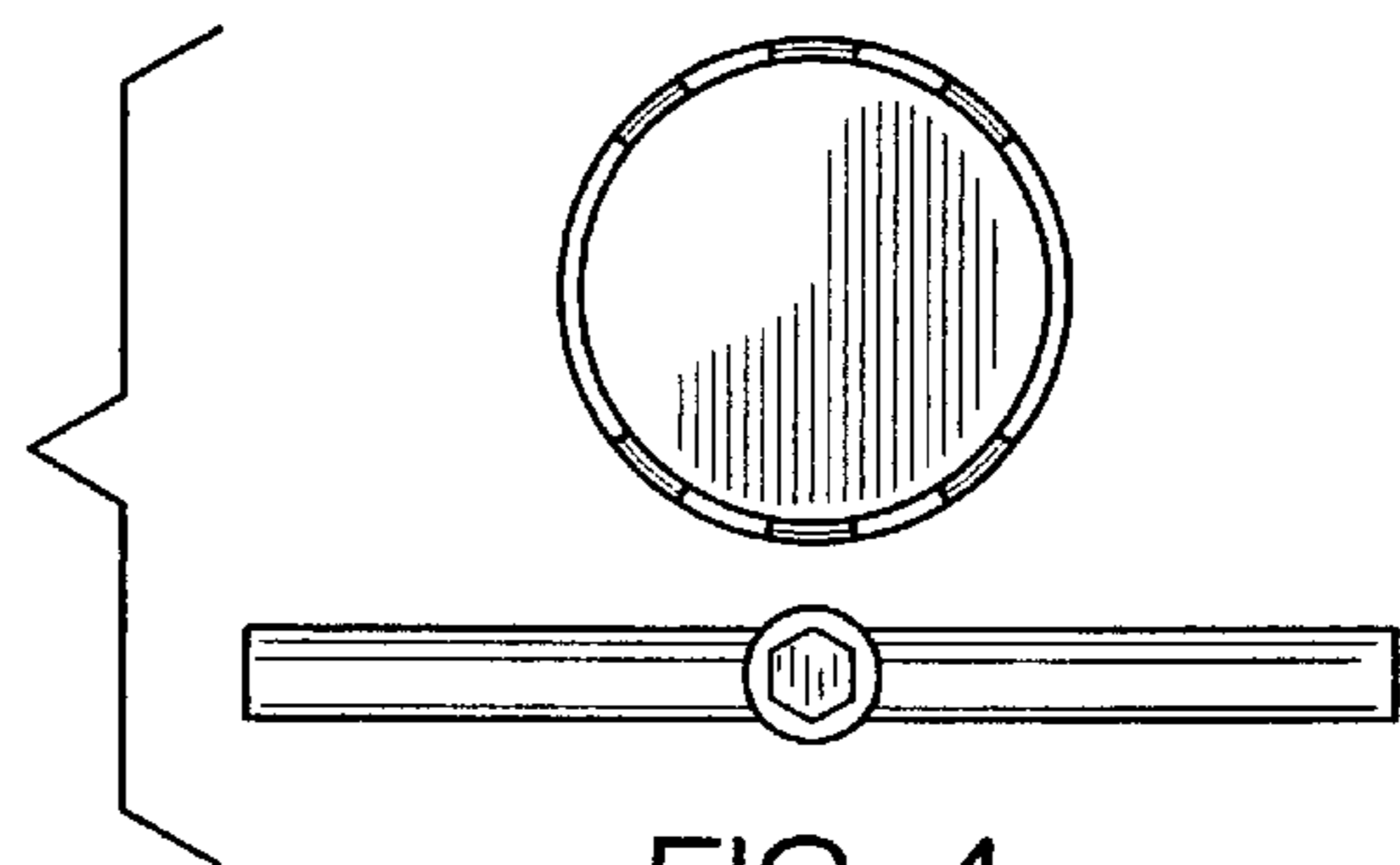


FIG. 4

FIG. 5

