



US00D513463S

(12) **United States Design Patent**
Wong et al.

(10) **Patent No.: US D513,463 S**
(45) **Date of Patent: ** Jan. 10, 2006**

(54) **CONSOLE FOR A RANGE**

(75) **Inventors:** **Allen D. Wong**, Berrien Springs, MI (US); **Giovanni Pino**, St. Joseph, MI (US); **Richard K. Morrow**, St. Joseph, MI (US)

(73) **Assignee:** **Whirlpool Corporation**, Benton Harbor, MI (US)

(**) **Term:** **14 Years**

(21) **Appl. No.:** **29/198,380**

(22) **Filed:** **Jan. 29, 2004**

(51) **LOC (8) Cl.** **07-02**

(52) **U.S. Cl.** **D7/406**

(58) **Field of Classification Search** D7/406,
D7/348, 349; D32/28; 34/524, 88; 312/31;
126/183, 52, 273 R, 42, 39 B, 190, 198,
126/1 R, 37 R, 39 R, 19 R, 21 R, 19 M,
126/273 A

See application file for complete search history.

(56) **References Cited**

U.S. PATENT DOCUMENTS

D369,514 S * 5/1996 Baldwin D7/406
6,191,391 B1 * 2/2001 Deo et al. 126/273 R
6,761,159 B1 * 7/2004 Barnes et al. 126/21 R

* cited by examiner

Primary Examiner—Robert A. Delehanty

(74) *Attorney, Agent, or Firm*—Clifton G. Green; Robert O. Rice; John F. Colligan

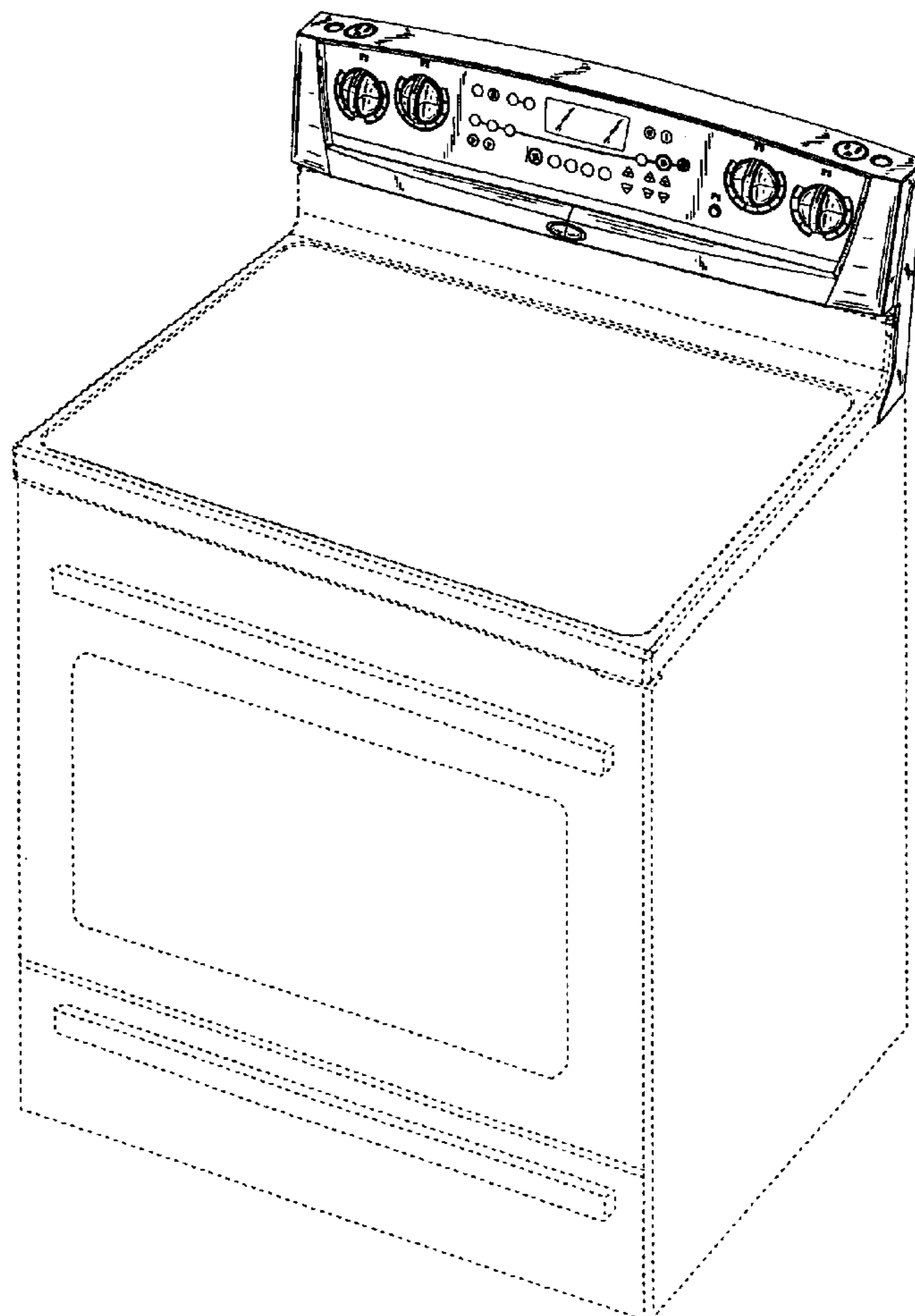
(57) **CLAIM**

We are claiming the ornamental appearance of a console for a range, as shown and described.

DESCRIPTION

FIG. 1 is a front perspective view of the console for a range; FIG. 2 is a front elevational view thereof; FIG. 3 is a right side elevational view, the left side being a mirror image thereof; and, FIG. 4 is top plan view thereof.

1 Claim, 4 Drawing Sheets



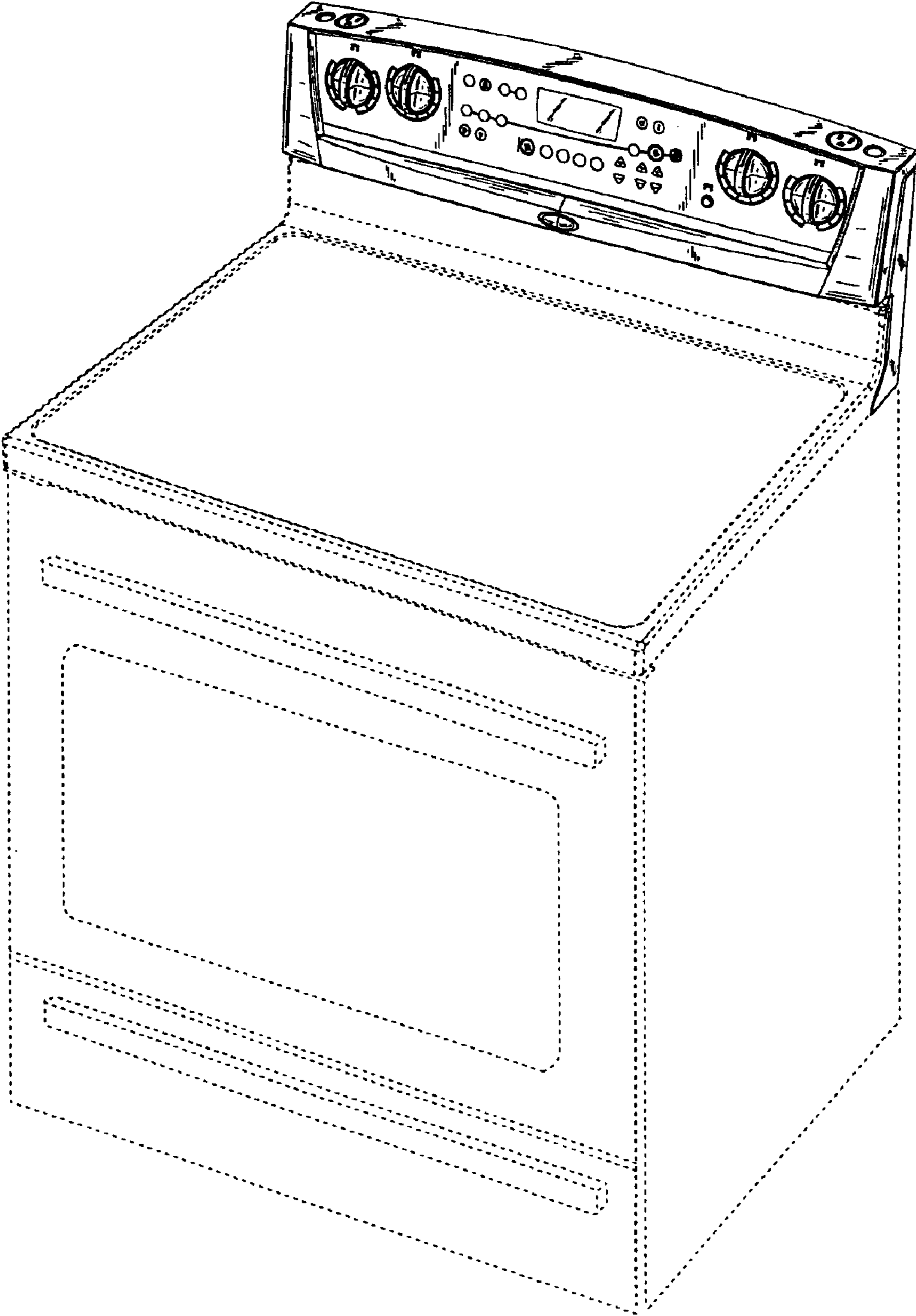


Fig. 1

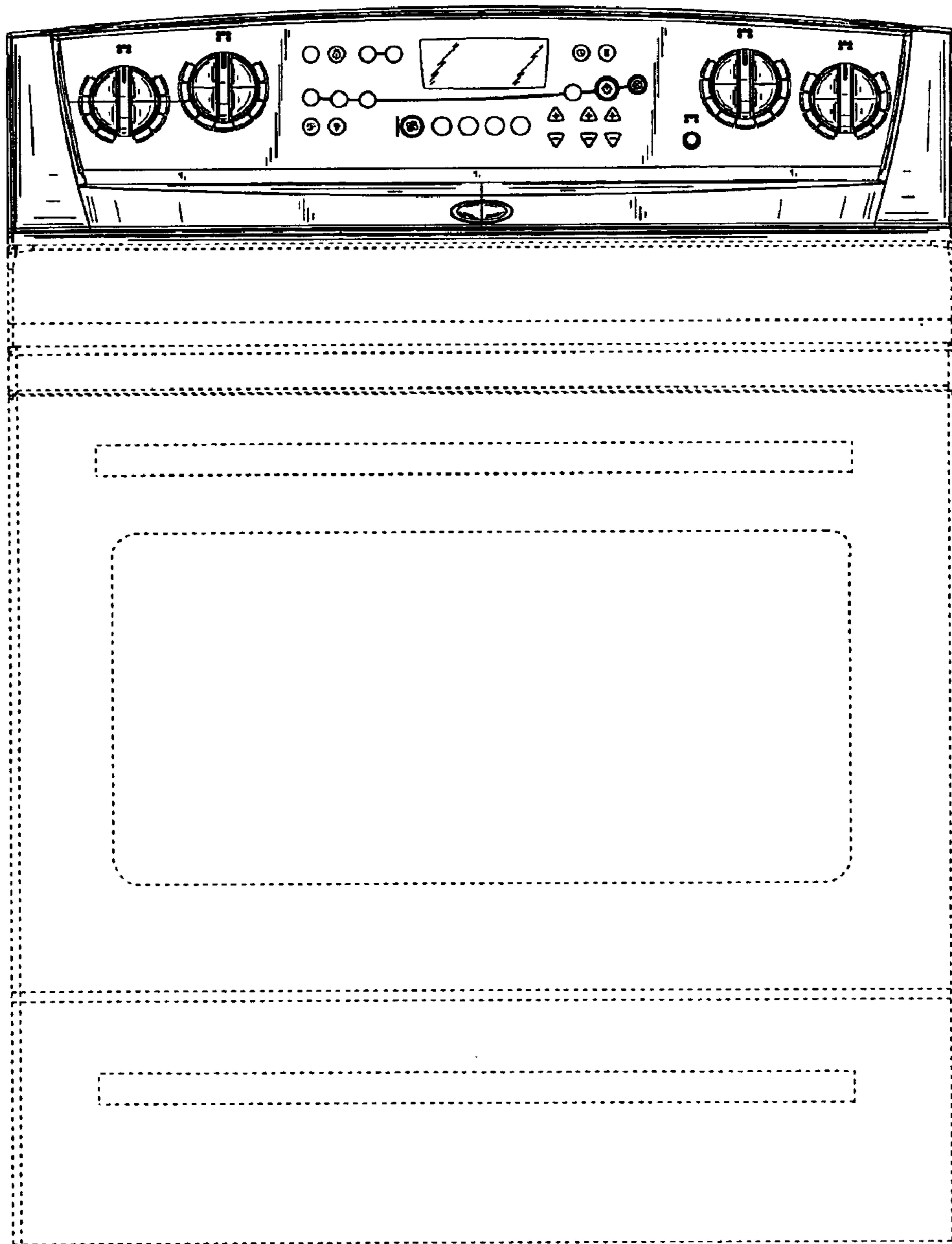


Fig. 2

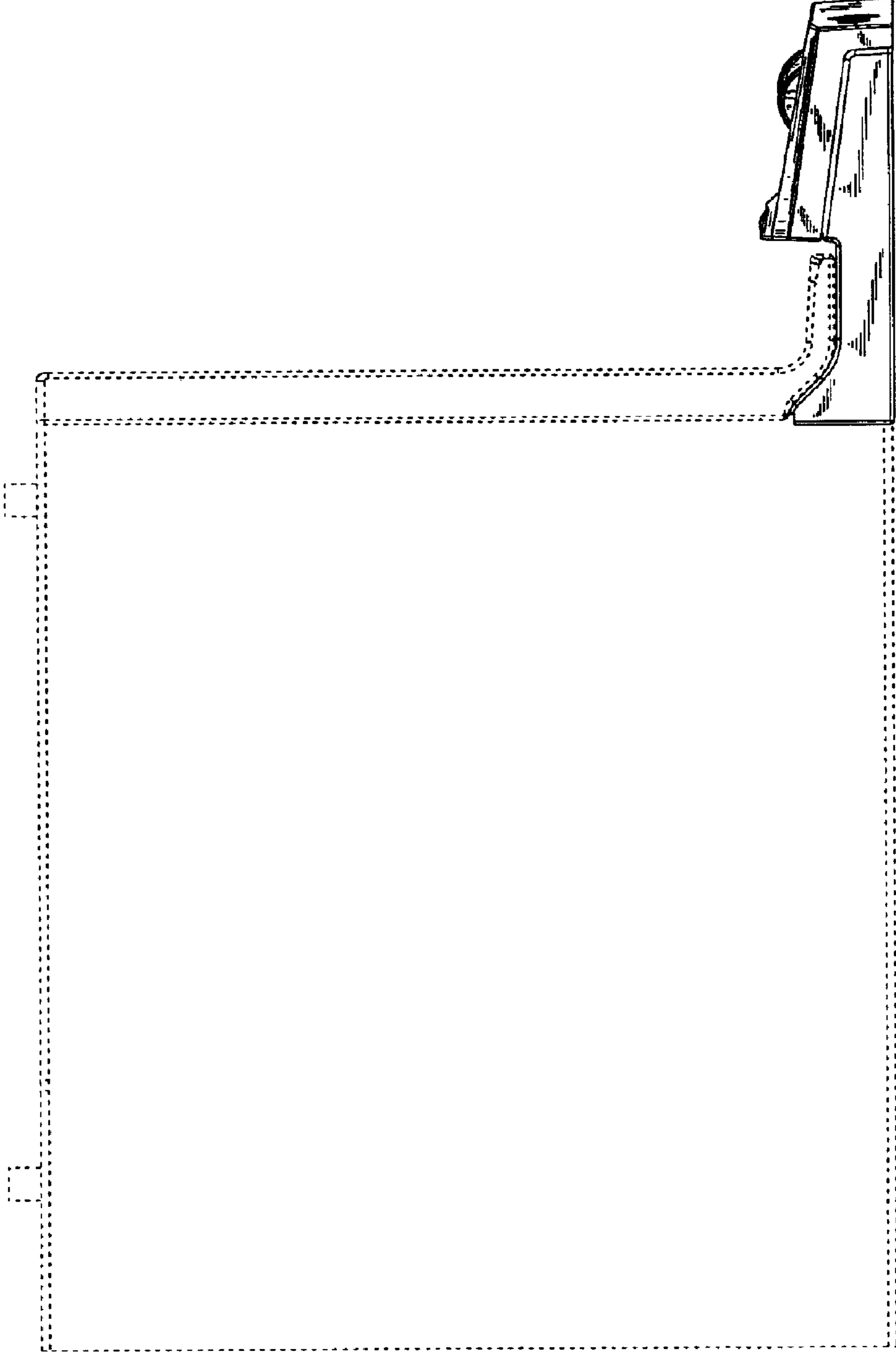


Fig. 3

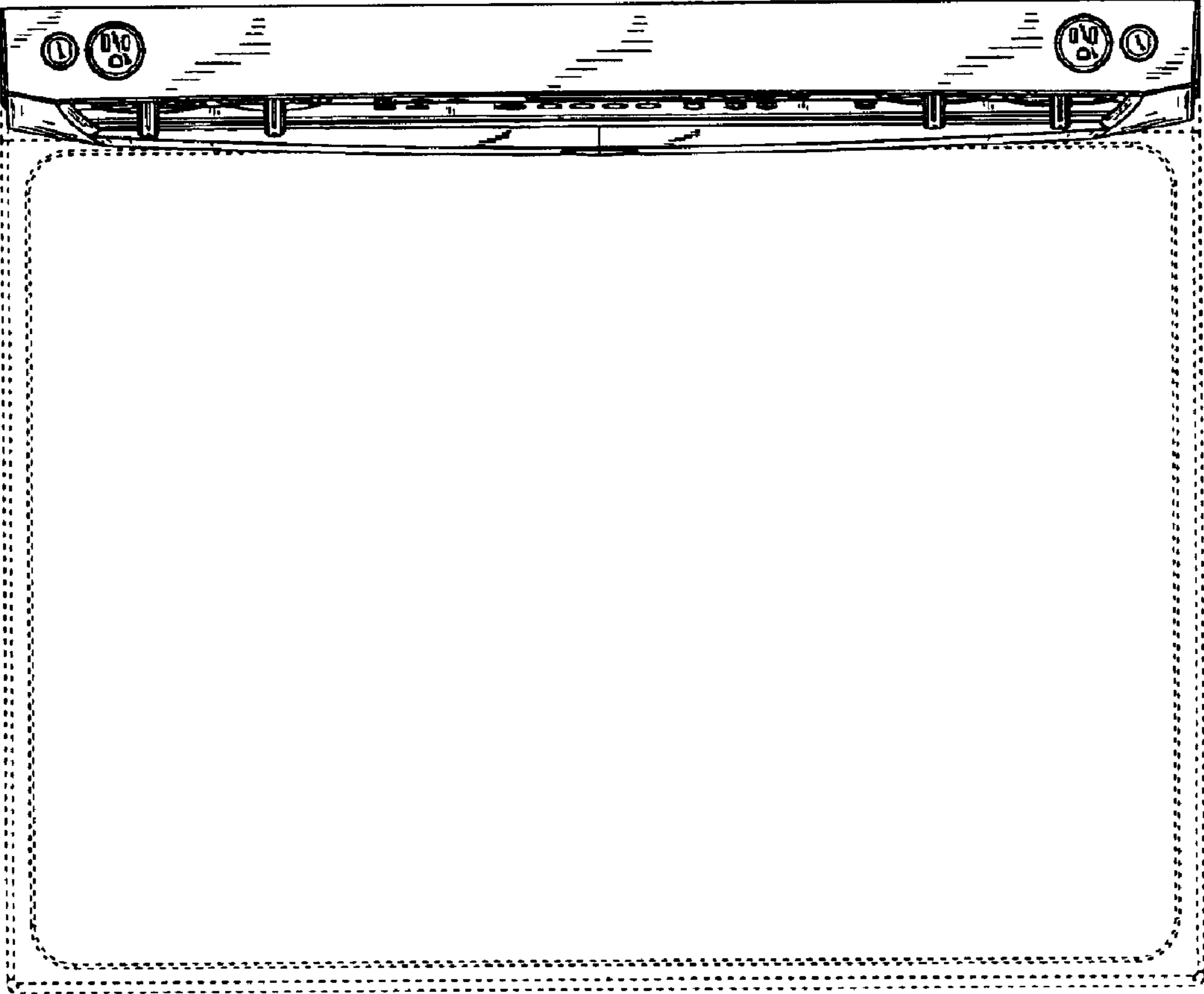


Fig. 4