



US00D513457S

(12) **United States Design Patent** (10) **Patent No.:** **US D513,457 S**  
**Asano et al.** (45) **Date of Patent:** **\*\* \*Jan. 10, 2006**

(54) **CHAIR**

(75) Inventors: **Hiroshi Asano**, Nagoya (JP); **Masaru Takahashi**, Nagoya (JP)

(73) Assignee: **Aichi Co., Ltd.**, Nagoya (JP)

(\* ) Notice: This patent is subject to a terminal disclaimer.

(\*\* ) Term: **14 Years**

(21) Appl. No.: **29/223,899**

(22) Filed: **Feb. 22, 2005**

(30) **Foreign Application Priority Data**

Aug. 23, 2004 (JP) ..... 2004-025083

(51) **LOC (8) Cl.** ..... **06-01**

(52) **U.S. Cl.** ..... **D6/380; D6/376**

(58) **Field of Classification Search** ..... D6/334, D6/335, 368, 369, 374, 376, 379, 380, 500-502; 297/445.1, 446.1, 452.46, 452.64

See application file for complete search history.

(56) **References Cited**

**U.S. PATENT DOCUMENTS**

- 3,767,261 A \* 10/1973 Rowland ..... 297/452.64
- D336,795 S \* 6/1993 Rowe et al. .... D6/380
- D346,075 S \* 4/1994 Hess ..... D6/376
- D447,353 S \* 9/2001 Peloquin ..... D6/368
- D449,938 S \* 11/2001 Vanderiet et al. .... D6/380
- D456,164 S \* 4/2002 Vanderiet et al. .... D6/374
- D458,468 S \* 6/2002 Levrangi ..... D6/376
- D459,604 S \* 7/2002 Piretti ..... D6/380
- D471,373 S \* 3/2003 Starczewski et al. .... D6/368
- D475,544 S \* 6/2003 Chadwick et al. .... D6/380
- D481,550 S \* 11/2003 Astle ..... D6/374
- D485,084 S \* 1/2004 Bales ..... D6/379

- 6,726,285 B2 \* 4/2004 Caruso et al. .... 297/452.46
- 6,899,396 B2 \* 5/2005 Bales ..... 297/446.1
- D505,801 S \* 6/2005 Cesaroni et al. .... D6/379
- 2005/0001464 A1 \* 1/2005 Caruso et al. .... 297/452.46

**OTHER PUBLICATIONS**

Chair, A, p. 70, Design Within Reach catalog.\*

\* cited by examiner

*Primary Examiner*—Mimosa De

(74) *Attorney, Agent, or Firm*—Davis & Bujold, P.L.L.C.

(57) **CLAIM**

We claim the ornamental design for a chair, as shown and described.

**DESCRIPTION**

FIG. 1 is a perspective view of a chair embodying our new design;

FIG. 2 is a front elevational view thereof;

FIG. 3 is a right side elevational view thereof;

FIG. 4 is a partial view of the back rest portion of the chair of FIG. 2 along section line 4—4;

FIG. 5 is a cross-sectional view of the chair of FIG. 2 along section line 5—5;

FIG. 6 is a top plan view of FIG. 1;

FIG. 7 is a bottom plan view of FIG. 1;

FIG. 8 is a rear elevational view of FIG. 1;

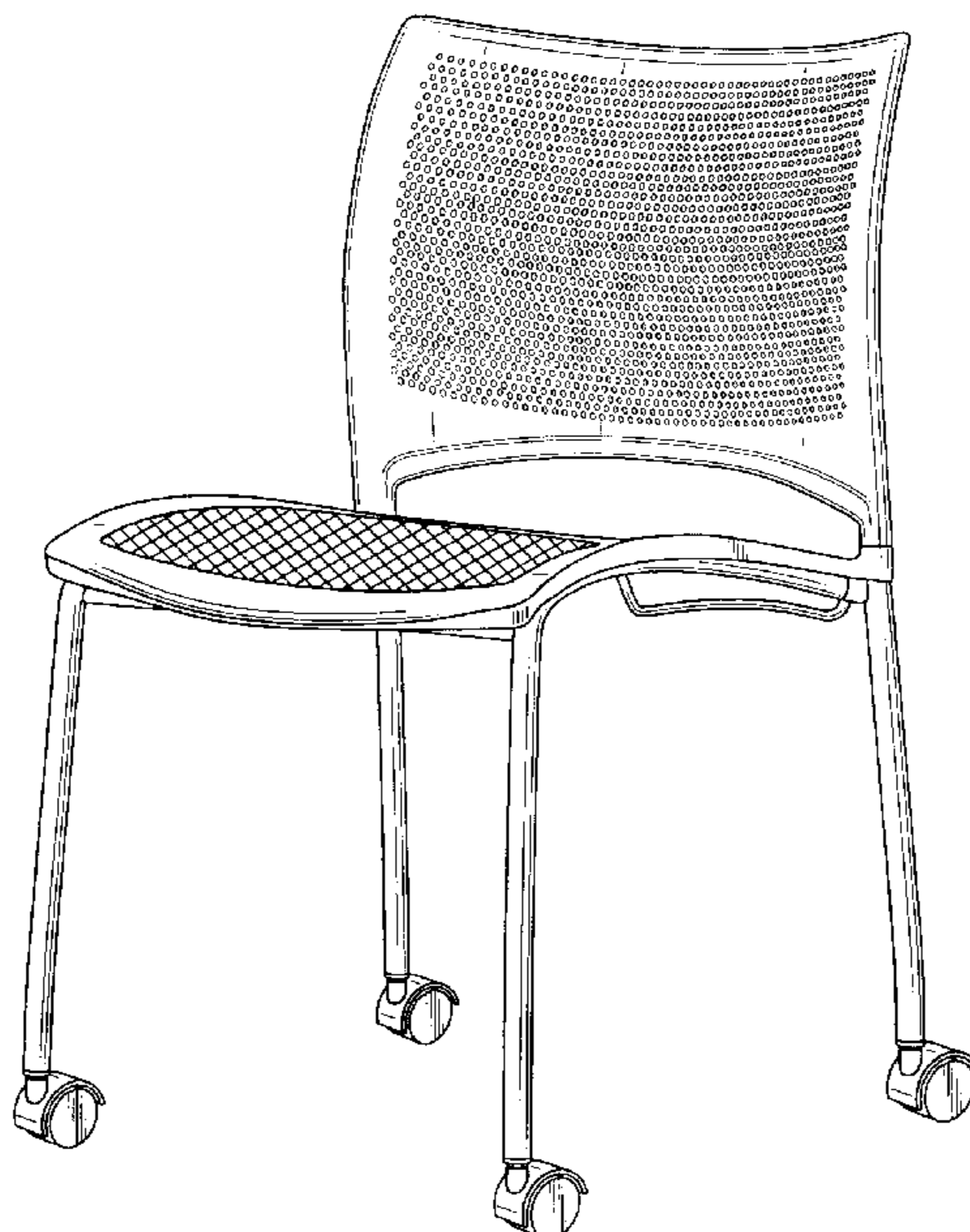
FIG. 9 is a partial view of the seat portion of the chair of FIG. 6 along section line 9—9;

FIG. 10 is an enlarged cross sectional view of a portion of the chair of FIG. 5 along section line 10—10; and,

FIG. 11 is a right side elevational view showing two chairs, according to FIG. 1, stacked one on top of the other.

The broken lines showing of another chair in FIG. 11 are for illustrative purposes only and form no part of the claimed design.

**1 Claim, 6 Drawing Sheets**



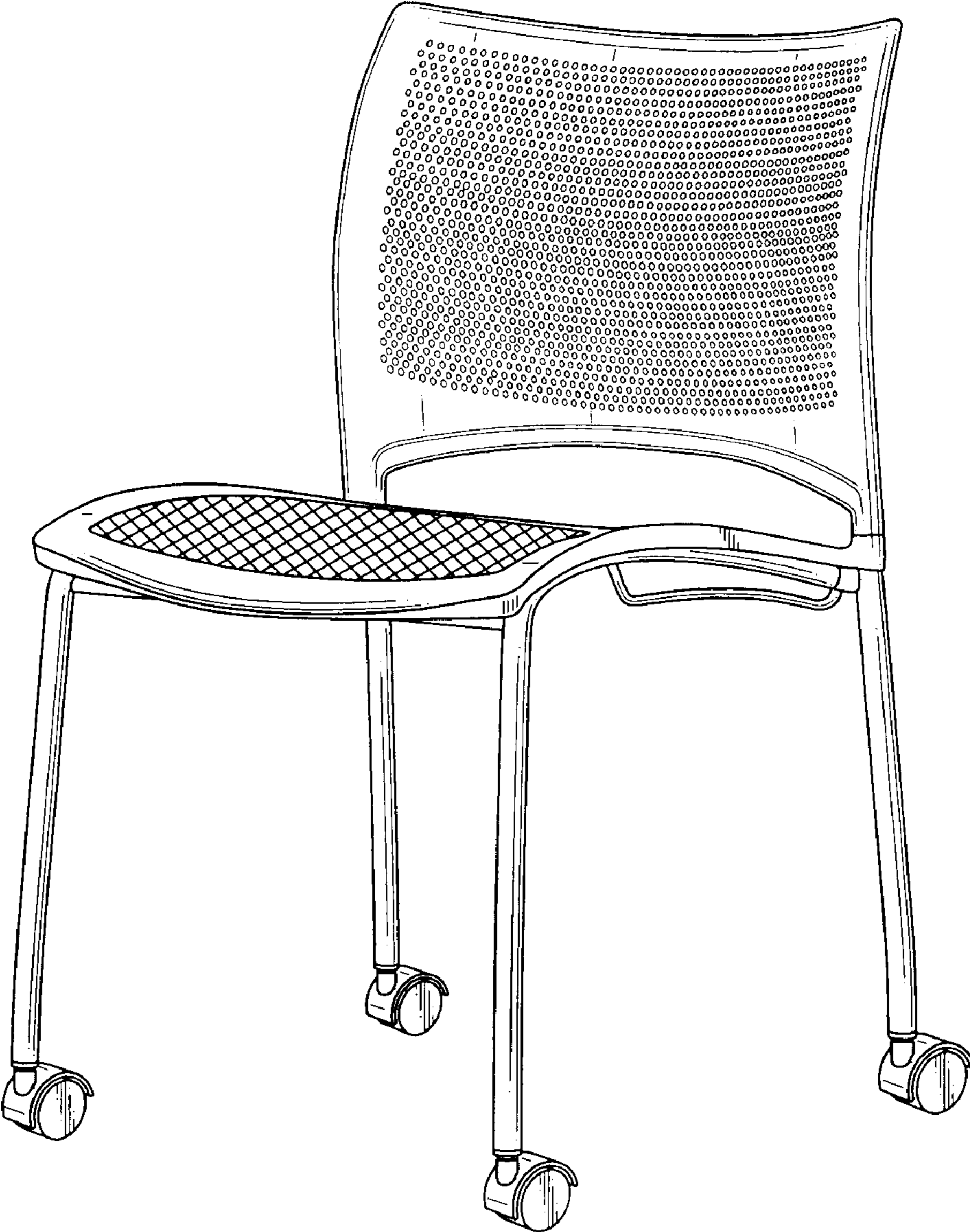


FIG. 1

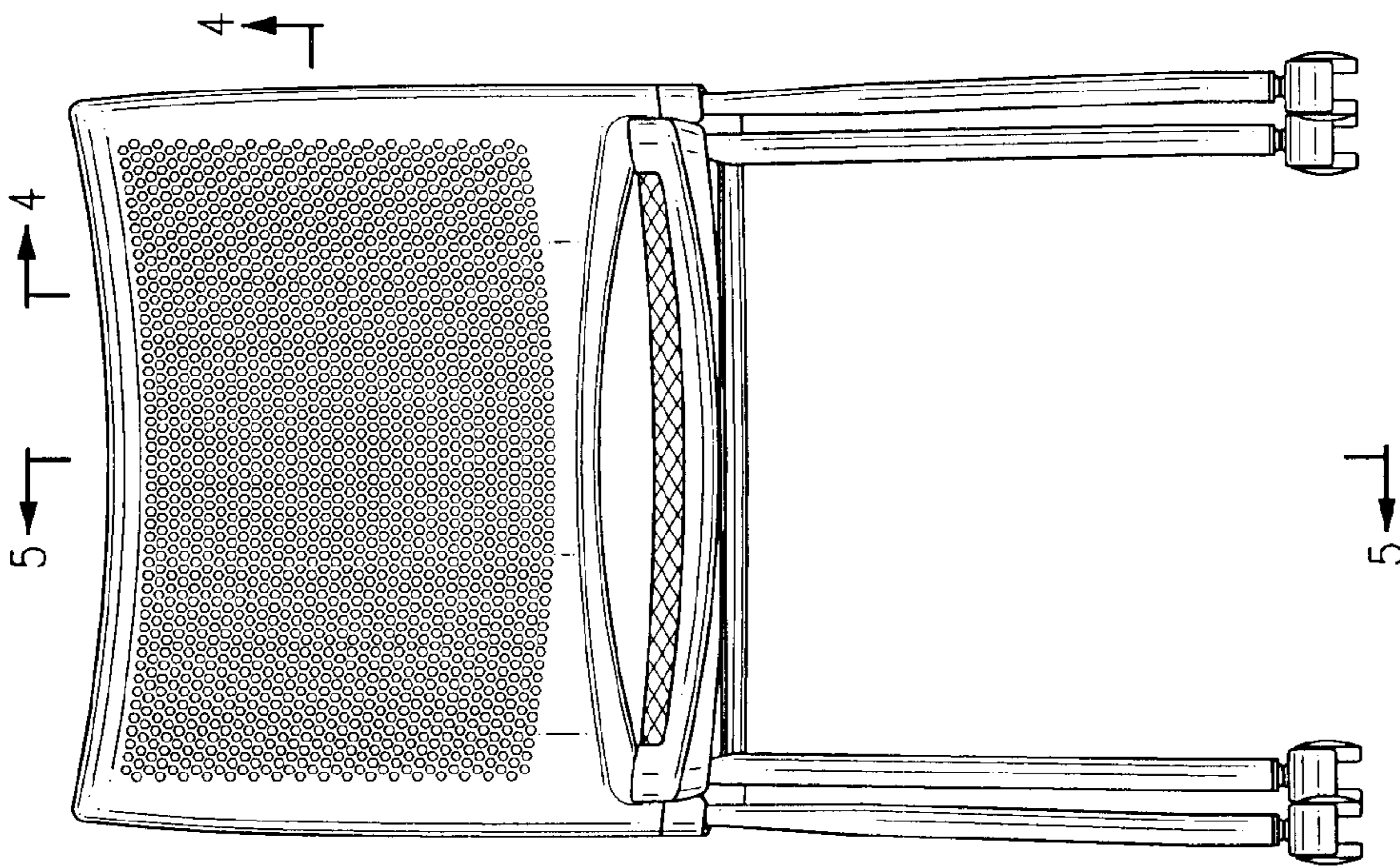


FIG. 2

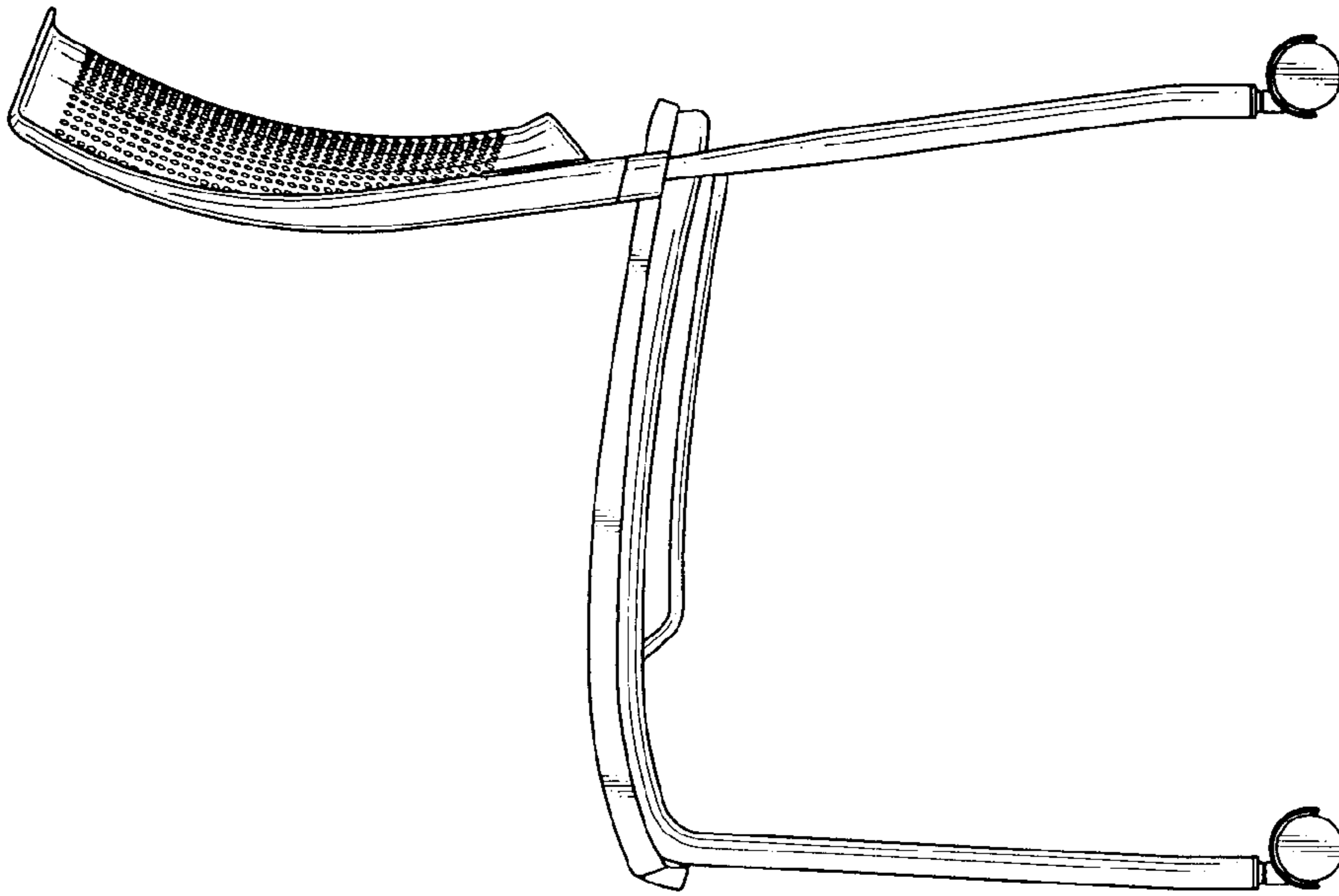


FIG. 3



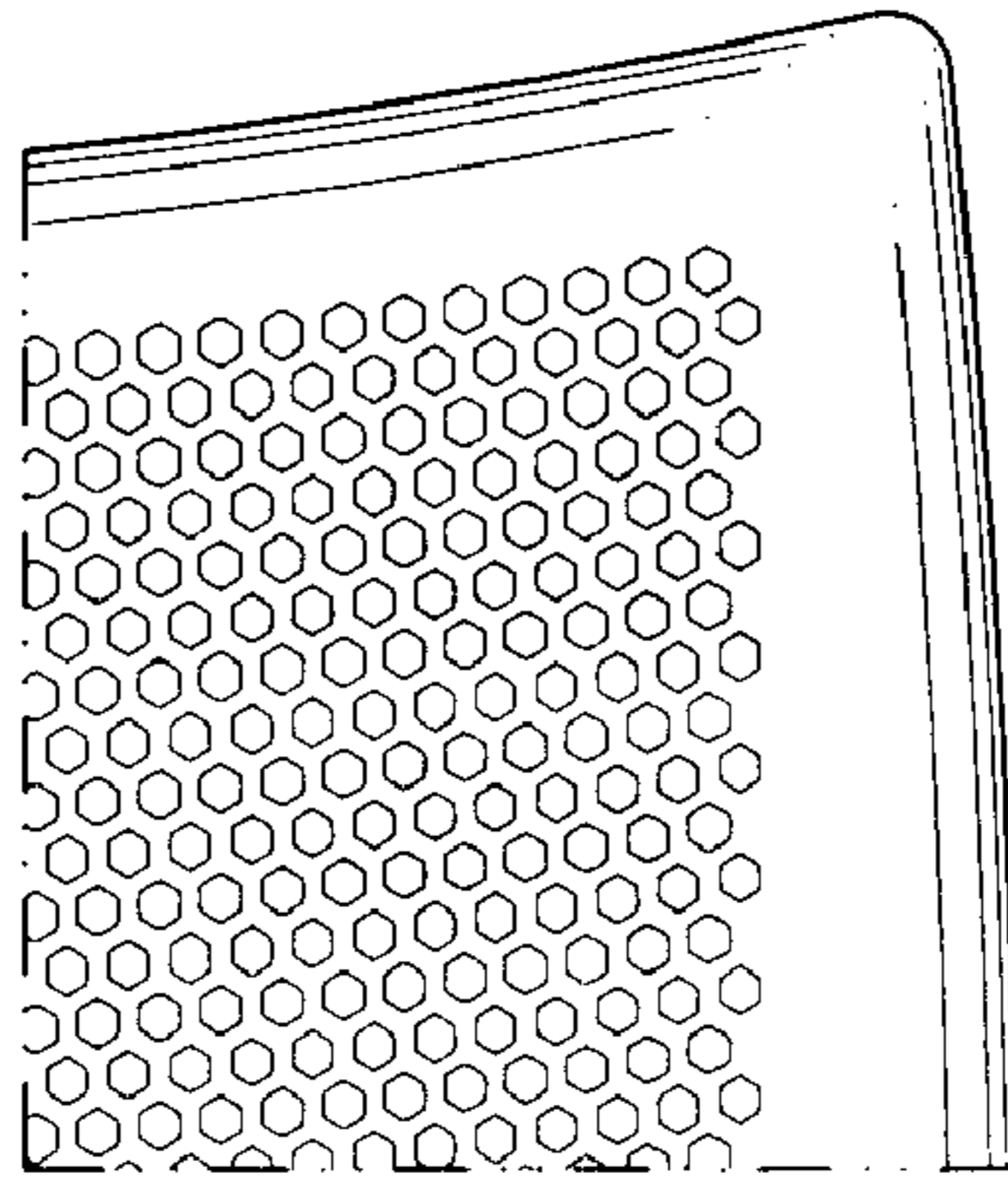


FIG. 4

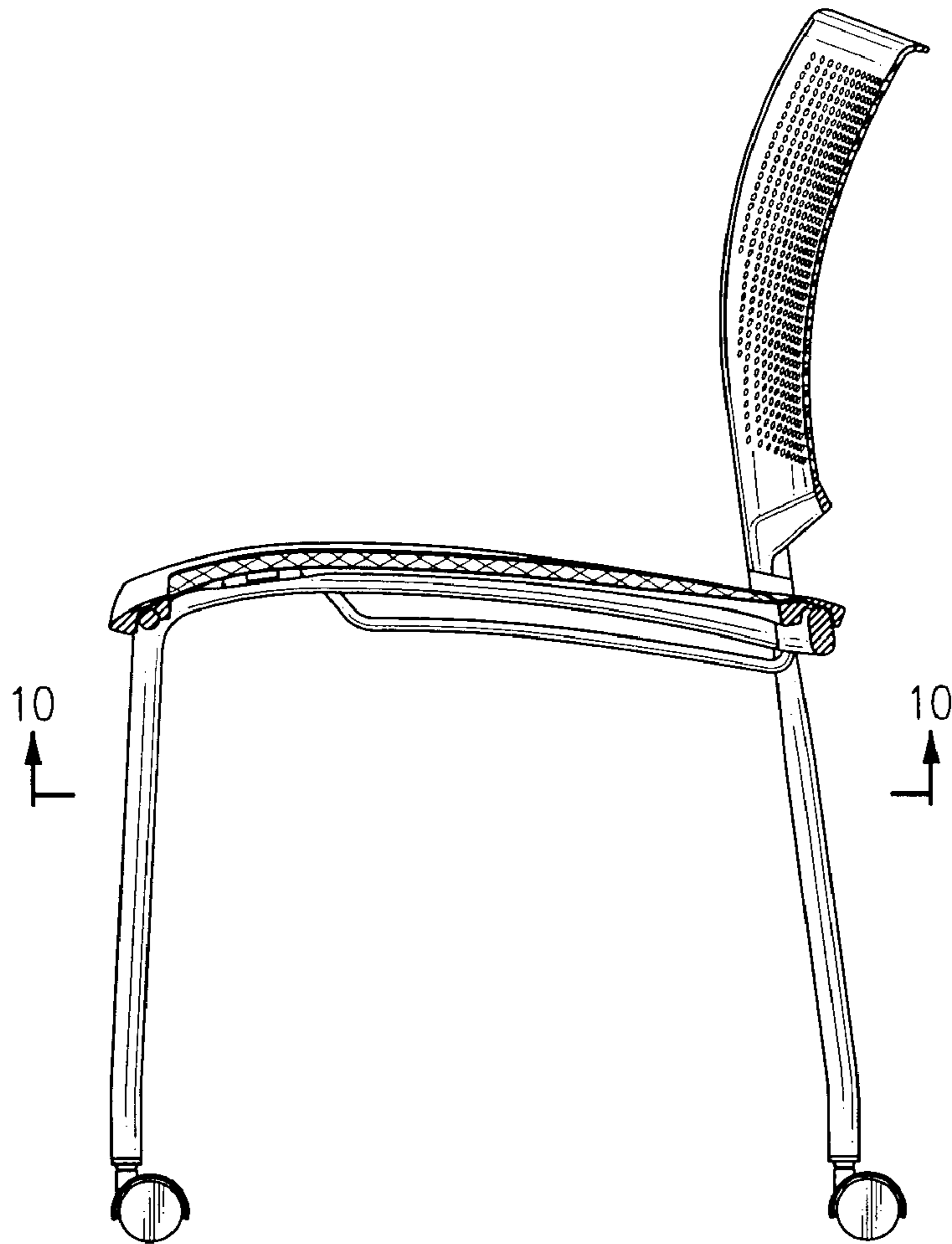


FIG. 5

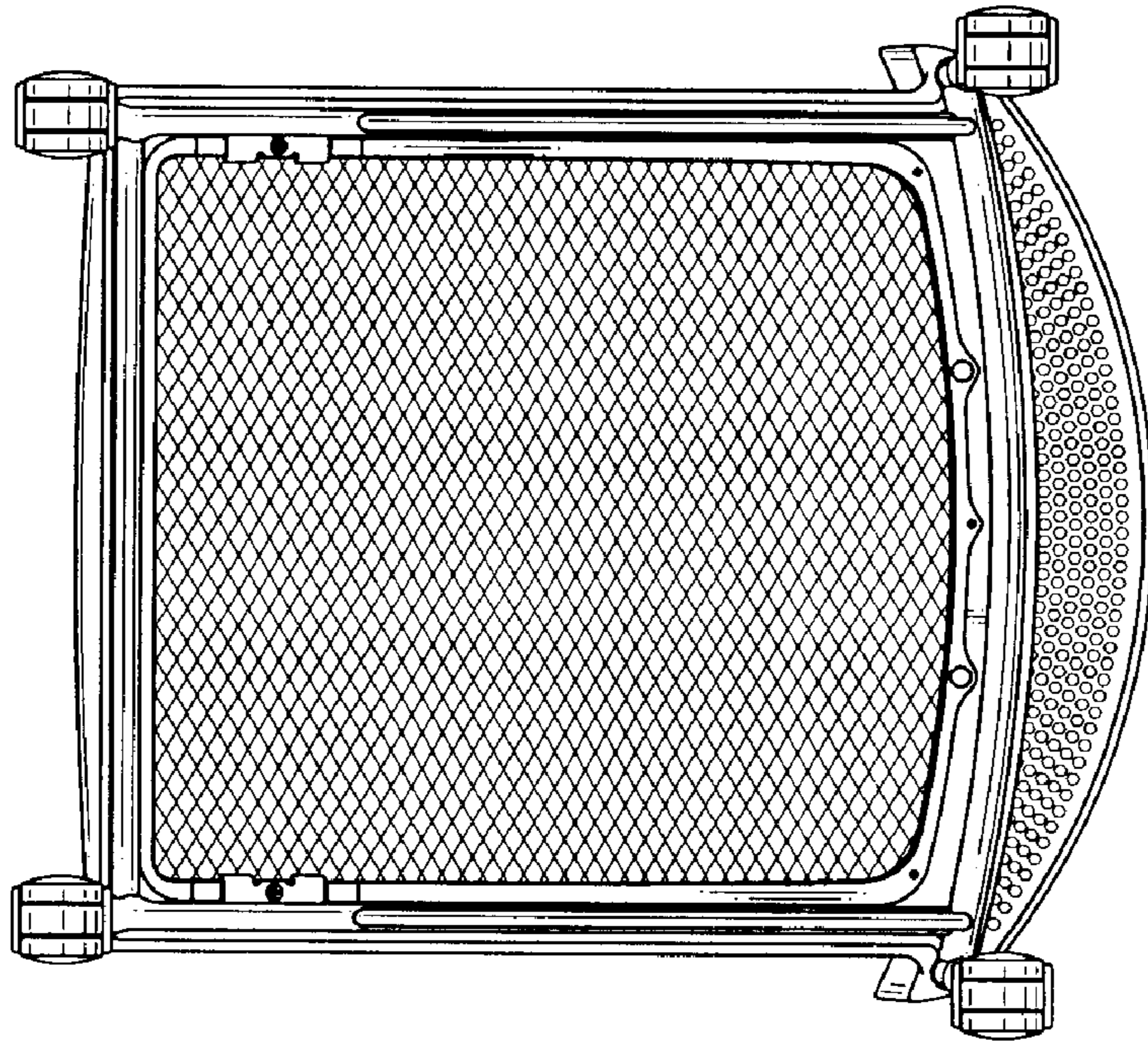


FIG. 7

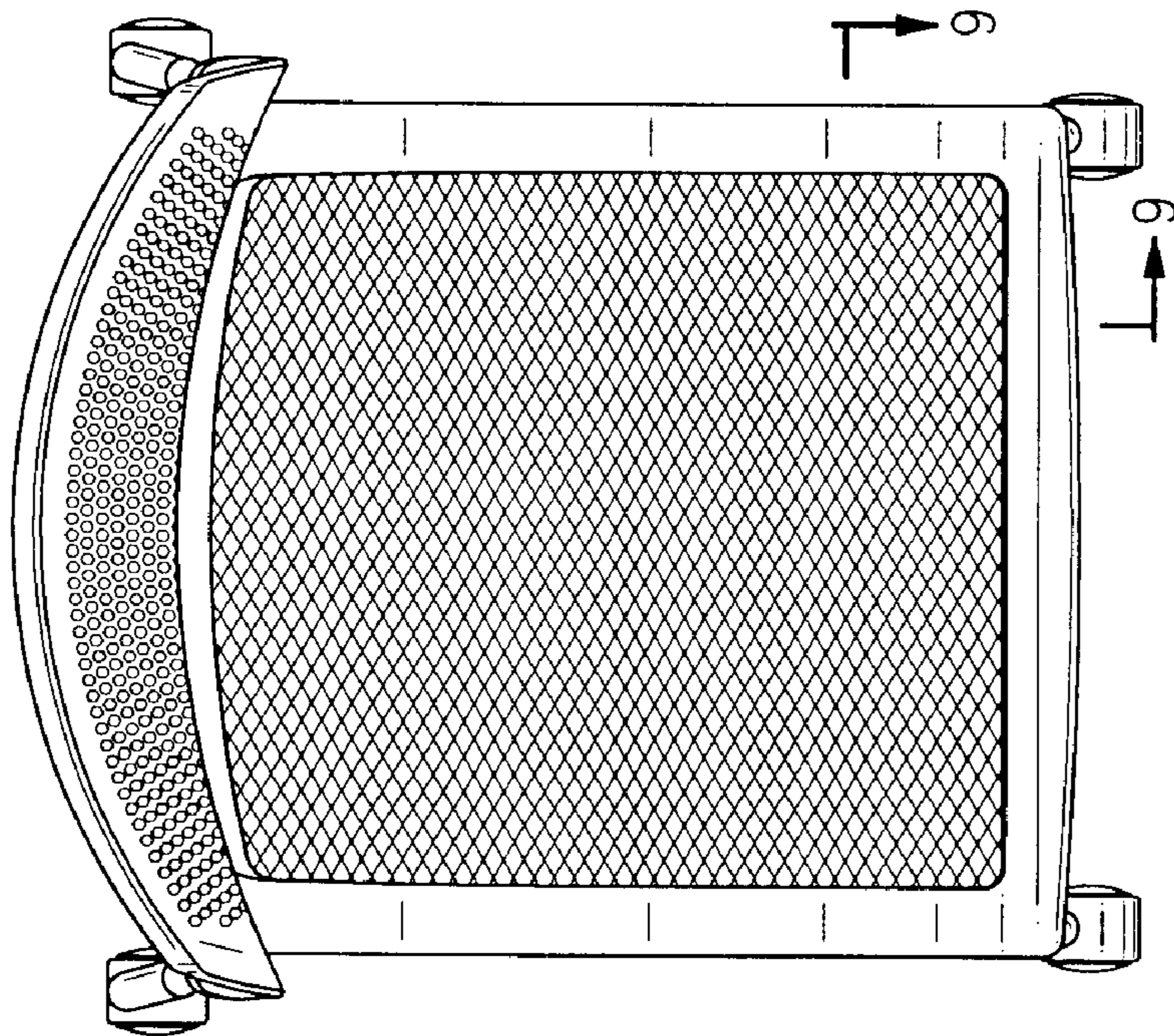


FIG. 6



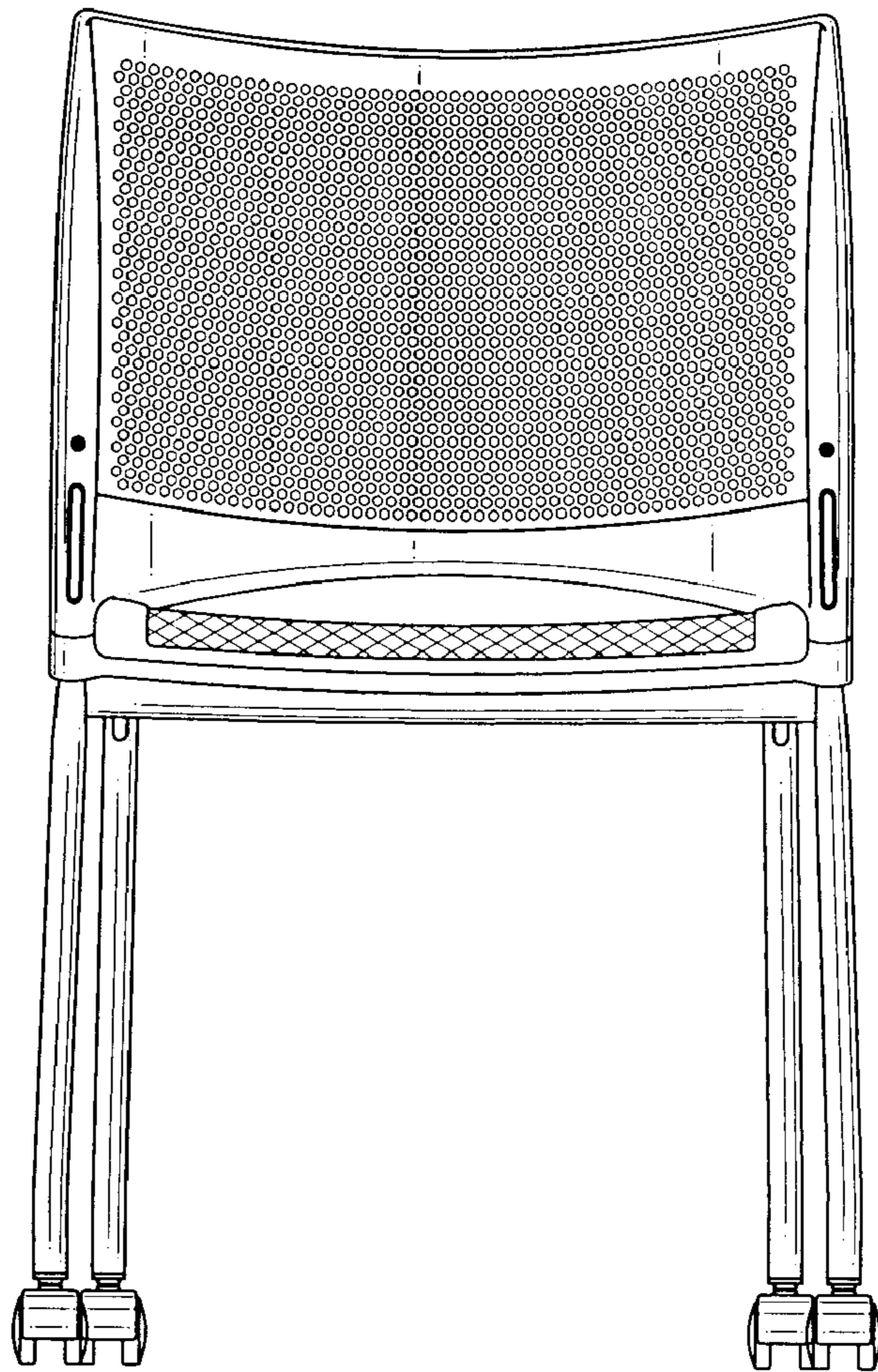


FIG. 8

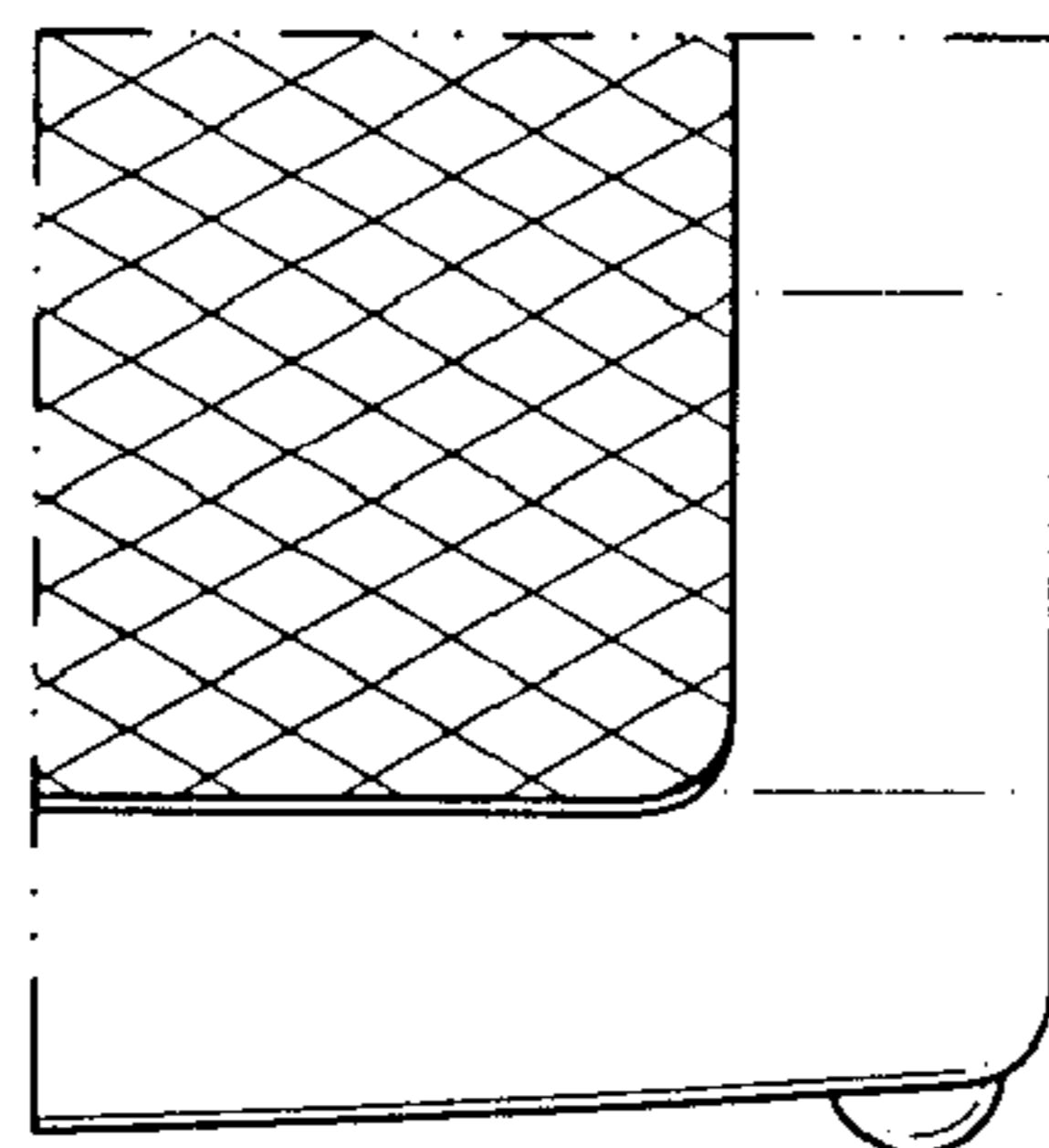


FIG. 9

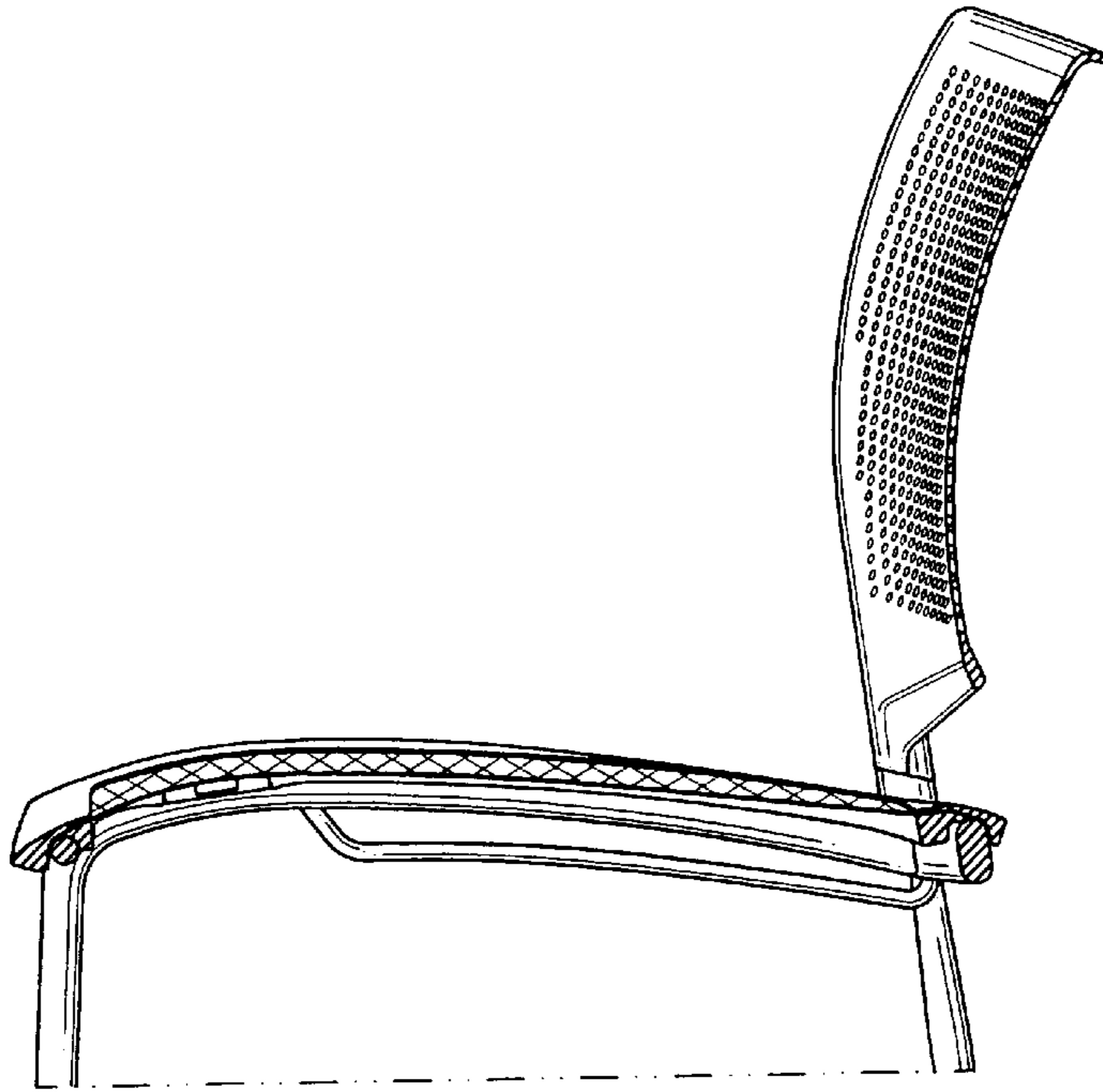


FIG. 10

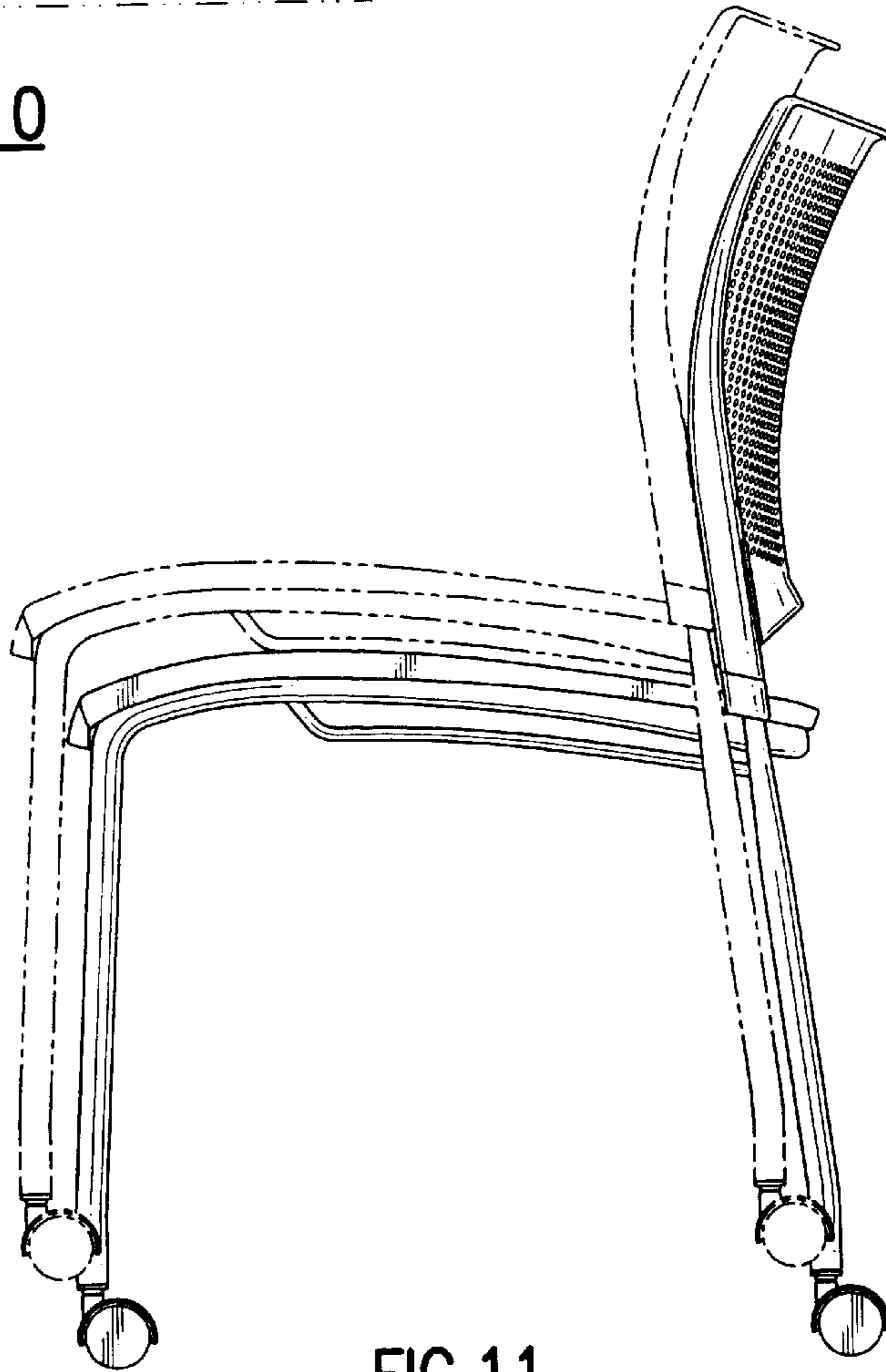


FIG. 11