



US00D513456S

(12) **United States Design Patent**  
**Smith**

(10) **Patent No.:** **US D513,456 S**  
(45) **Date of Patent:** **\*\* Jan. 10, 2006**

- (54) **STACKING CHAIR**
- (75) Inventor: **Richard D. Smith**, Springville, UT (US)
- (73) Assignee: **Mity-Lite, Inc.**, Orem, UT (US)
- (\*\*) Term: **14 Years**
- (21) Appl. No.: **29/218,410**
- (22) Filed: **Dec. 1, 2004**
- (51) **LOC (8) Cl.** ..... **06-01**
- (52) **U.S. Cl.** ..... **D6/380; D6/376**
- (58) **Field of Classification Search** ..... D6/334, D6/335, 368, 374, 376, 379, 380, 500-502; 297/35, 55, 58, 183.7, 239, 452.1  
See application file for complete search history.

(56) **References Cited**  
**U.S. PATENT DOCUMENTS**

|              |   |         |                  |       |          |
|--------------|---|---------|------------------|-------|----------|
| D75,556 S    | * | 6/1928  | Glantz           | ..... | D6/368   |
| 1,730,916 A  | * | 10/1929 | Cable            | ..... | 297/58   |
| 1,789,295 A  | * | 1/1931  | Bauer            | ..... | 297/35   |
| 2,174,224 A  | * | 9/1939  | Geller           | ..... | 297/58   |
| 2,381,574 A  | * | 8/1945  | Clarín           | ..... | 297/58   |
| 2,666,478 A  | * | 1/1954  | Shwayder         | ..... | 297/58   |
| 2,865,437 A  | * | 12/1958 | Shwayder         | ..... | 297/55   |
| 3,021,175 A  | * | 2/1962  | Norquist         | ..... | 297/58   |
| 3,094,357 A  | * | 6/1963  | Shwayder         | ..... | 297/55   |
| D200,532 S   | * | 3/1965  | Williams         | ..... | D6/380   |
| D202,264 S   | * | 9/1965  | Albinson         | ..... | D6/374   |
| D249,417 S   | * | 9/1978  | Ambasz           | ..... | D6/374   |
| D275,533 S   | * | 9/1984  | Lantz            | ..... | D6/368   |
| D300,885 S   | * | 5/1989  | Ochsner          | ..... | D6/380   |
| D432,805 S   | * | 10/2000 | Smith            | ..... | D6/368   |
| D436,457 S   | * | 1/2001  | Ambasz           | ..... | D6/368   |
| 6,279,991 B1 | * | 8/2001  | Atkins et al.    | ..... | 297/16.1 |
| 6,305,742 B1 | * | 10/2001 | Spendlove et al. | ..... | 297/16.1 |
| D465,940 S   | * | 11/2002 | Nien             | ..... | D6/368   |
| D473,727 S   | * | 4/2003  | Tsai             | ..... | D6/368   |

|                 |   |         |              |       |        |
|-----------------|---|---------|--------------|-------|--------|
| D476,162 S      | * | 6/2003  | Finazzi      | ..... | D6/368 |
| D477,470 S      | * | 7/2003  | Haney et al. | ..... | D6/368 |
| 6,669,281 B1    | * | 12/2003 | Huang        | ..... | 297/58 |
| D503,291 S      | * | 3/2005  | Lucci et al. | ..... | D6/368 |
| 2003/0127887 A1 | * | 7/2003  | Laws et al.  | ..... | 297/55 |
| 2003/0234563 A1 | * | 12/2003 | Huang        | ..... | 297/58 |

\* cited by examiner

*Primary Examiner*—Mimosa De  
(74) *Attorney, Agent, or Firm*—Thorpe North & Western

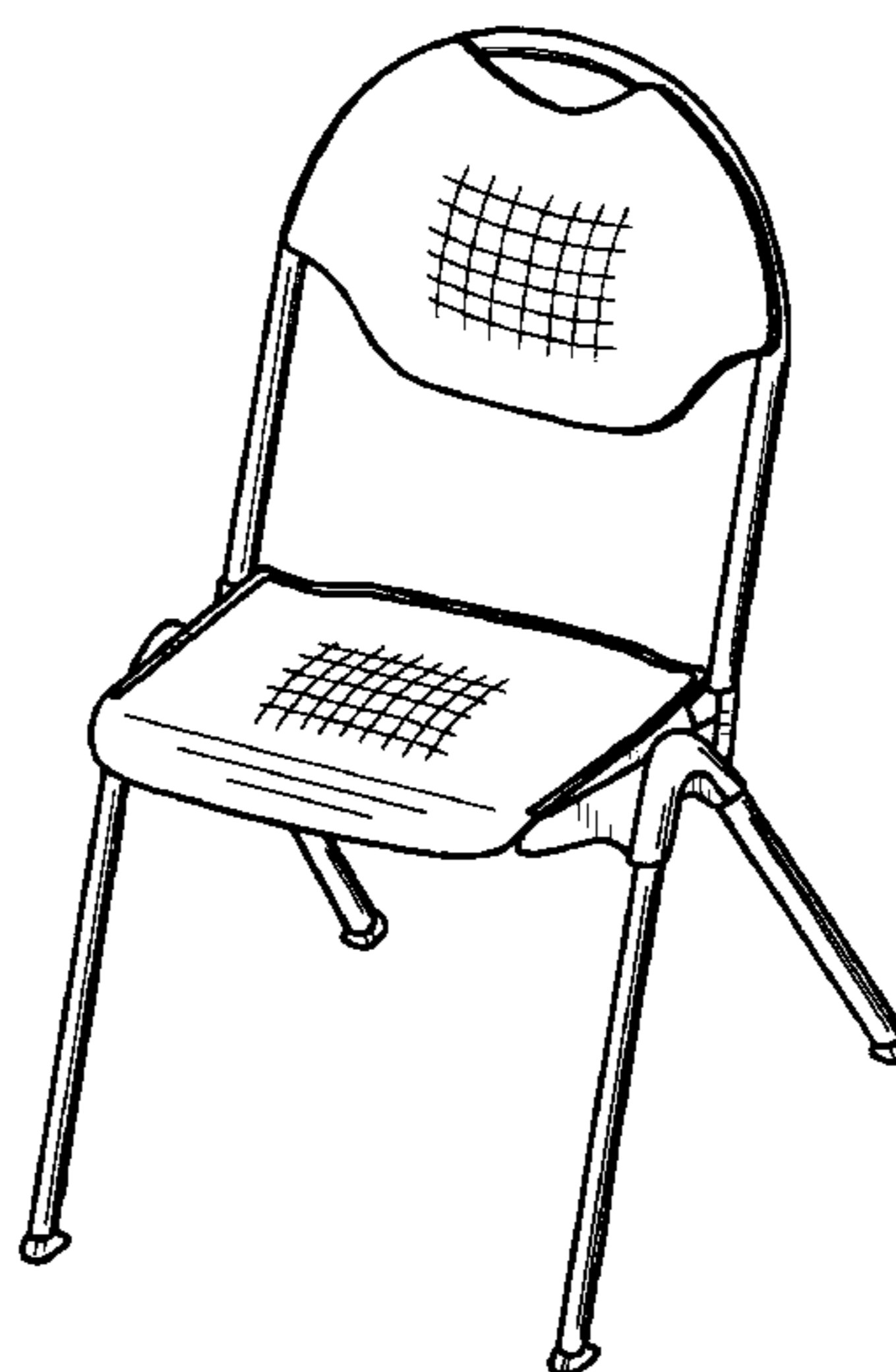
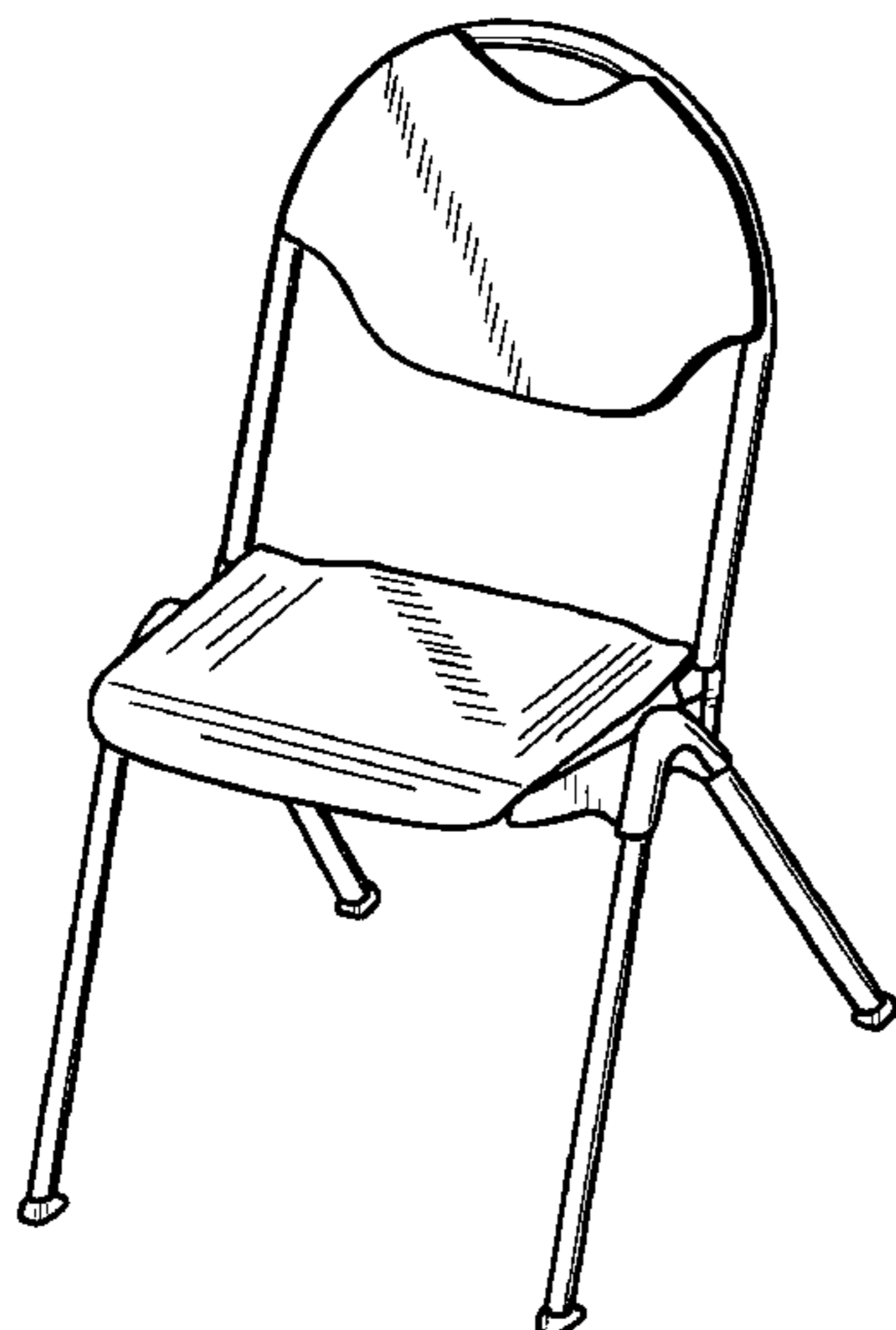
(57) **CLAIM**

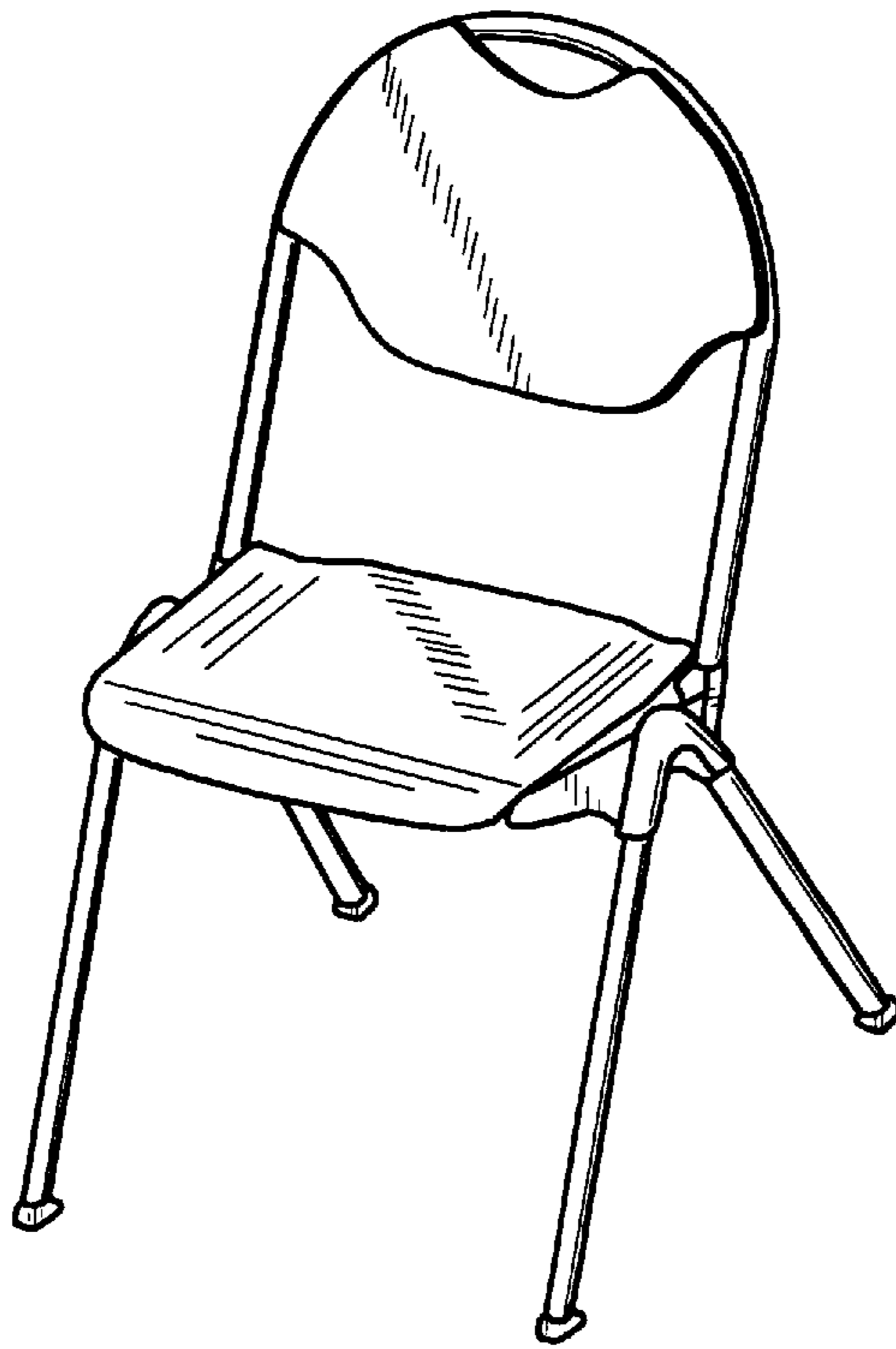
The ornamental design for a stacking chair, as shown and described herein.

**DESCRIPTION**

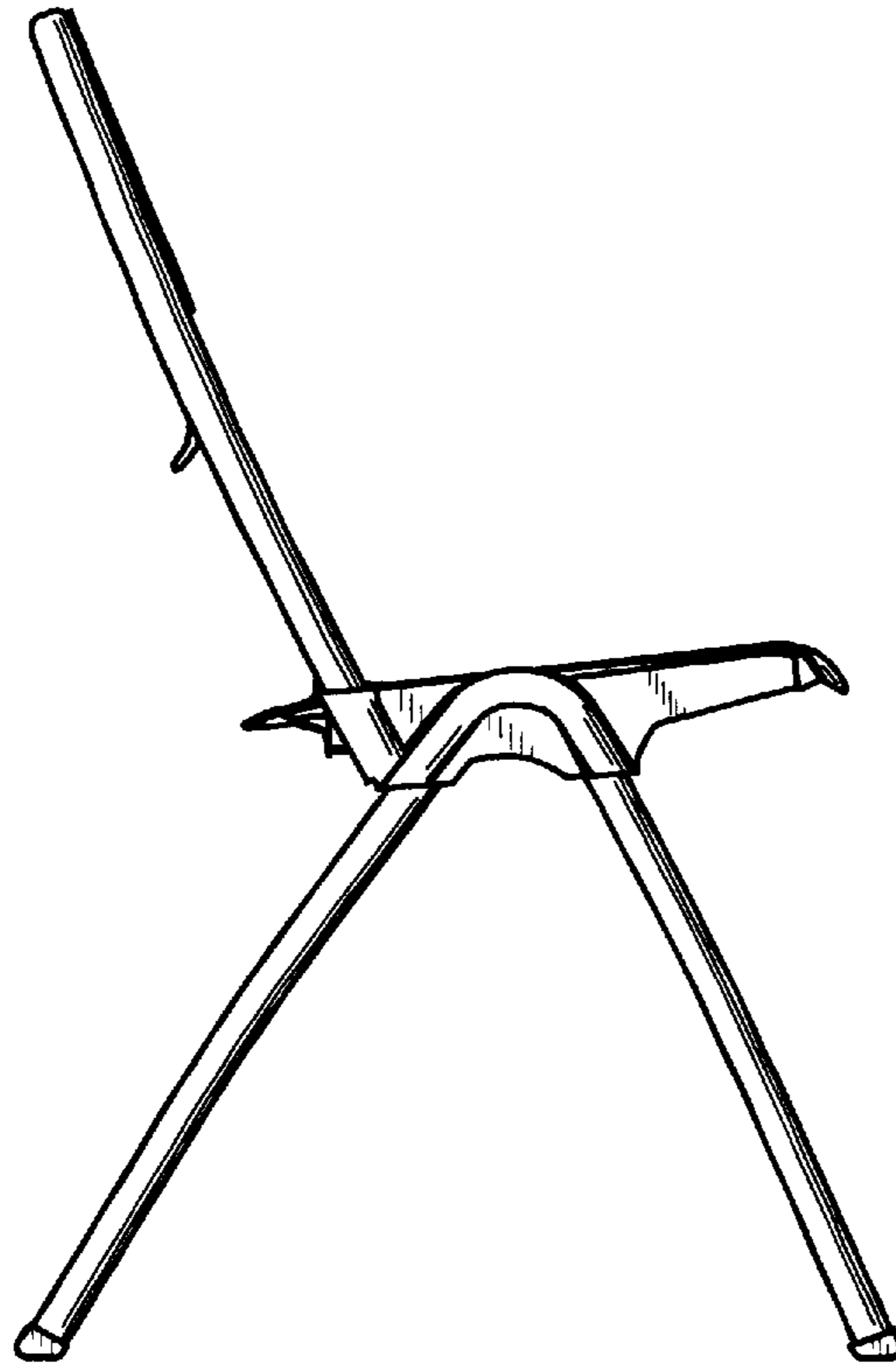
FIG. 1 is a front perspective view of a first embodiment of a stacking chair in accordance with the invention; FIG. 2 is a left side view of the stacking chair of FIG. 1, an opposing side view being the mirror image thereof; FIG. 3 is a left side view of the stacking chair of FIG. 1, showing the chair in stacking relationship to another similar chair therebelow; FIG. 4 is a rear perspective view of the stacking chair of FIG. 1; FIG. 5 is an enlarged front view of the seat portion of the stacking chair of FIG. 1, showing an upper portion of the legs and lower portion of the seat back frame members, and showing the chair in stacking relationship to another similar chair therebelow; FIG. 6 is a front perspective view of a second embodiment of a stacking chair in accordance with the invention, having an upholstered seat and backrest. The broken lines shown in FIGS. 3 and 5 are for illustrative purposes only, and form no part of the claimed design. The fragmented crosshatching shown on the seat and backrest in FIG. 6 is understood to represent fabric and would be continuous throughout the circumscribed areas.

**1 Claim, 3 Drawing Sheets**

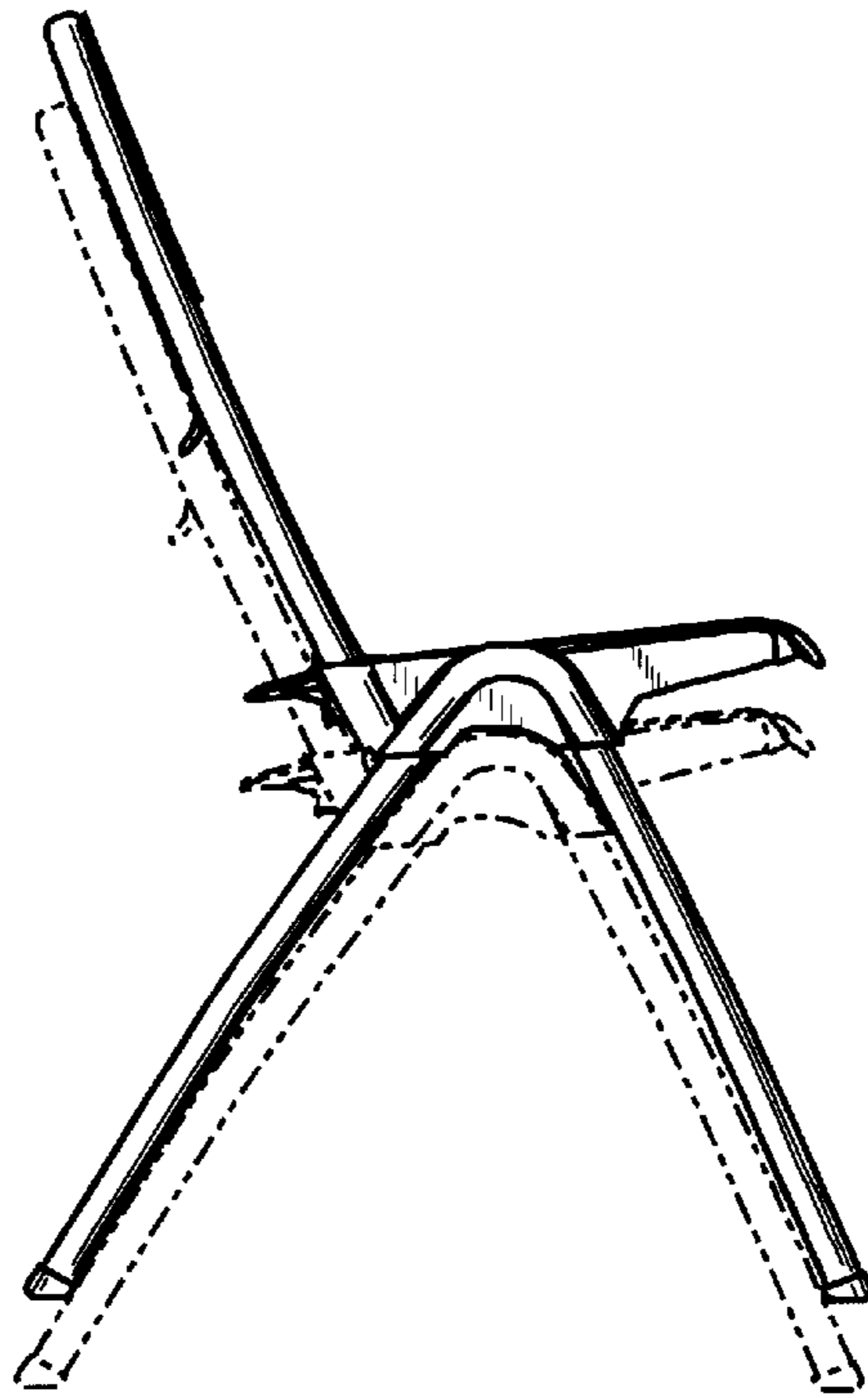




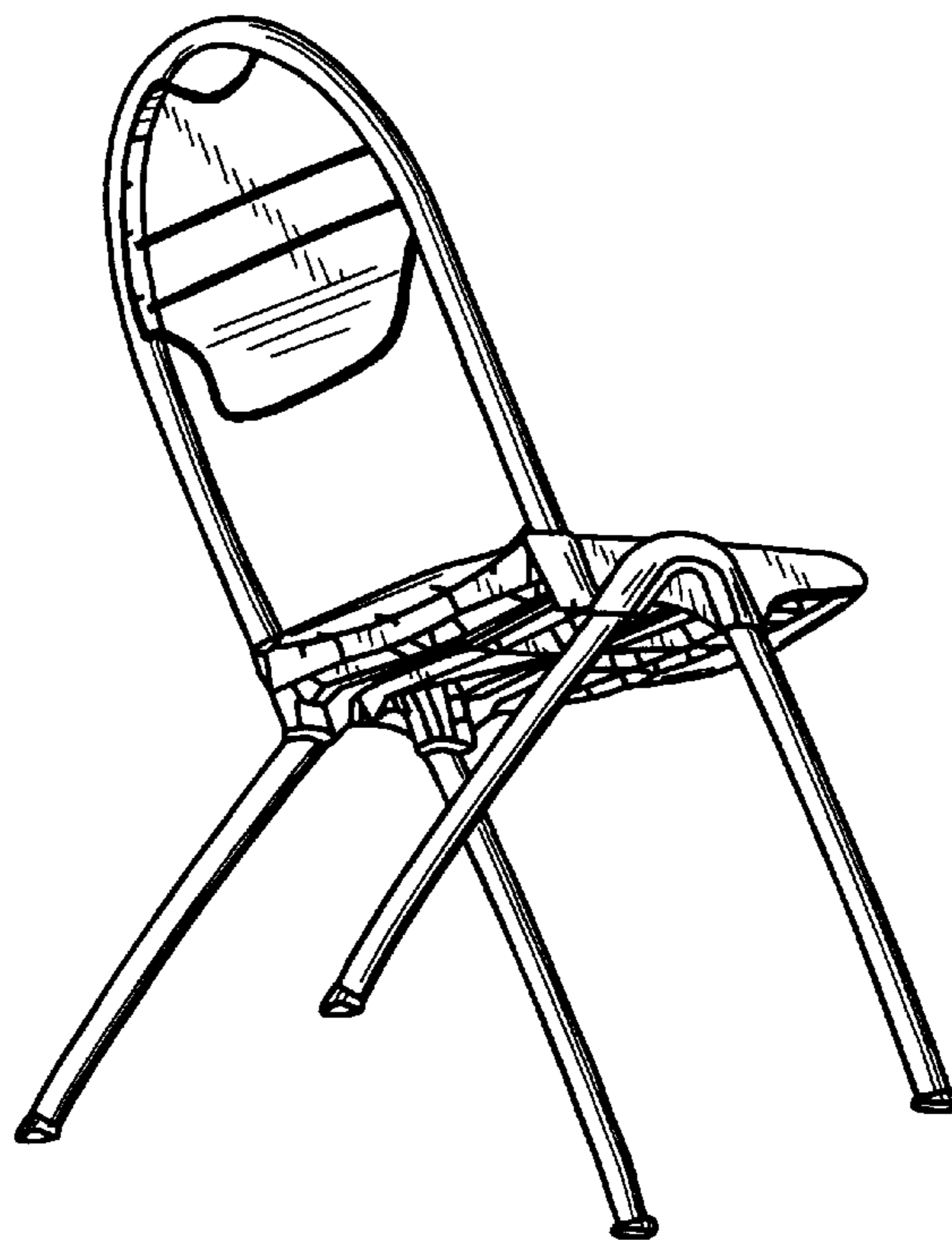
**FIG. 1**



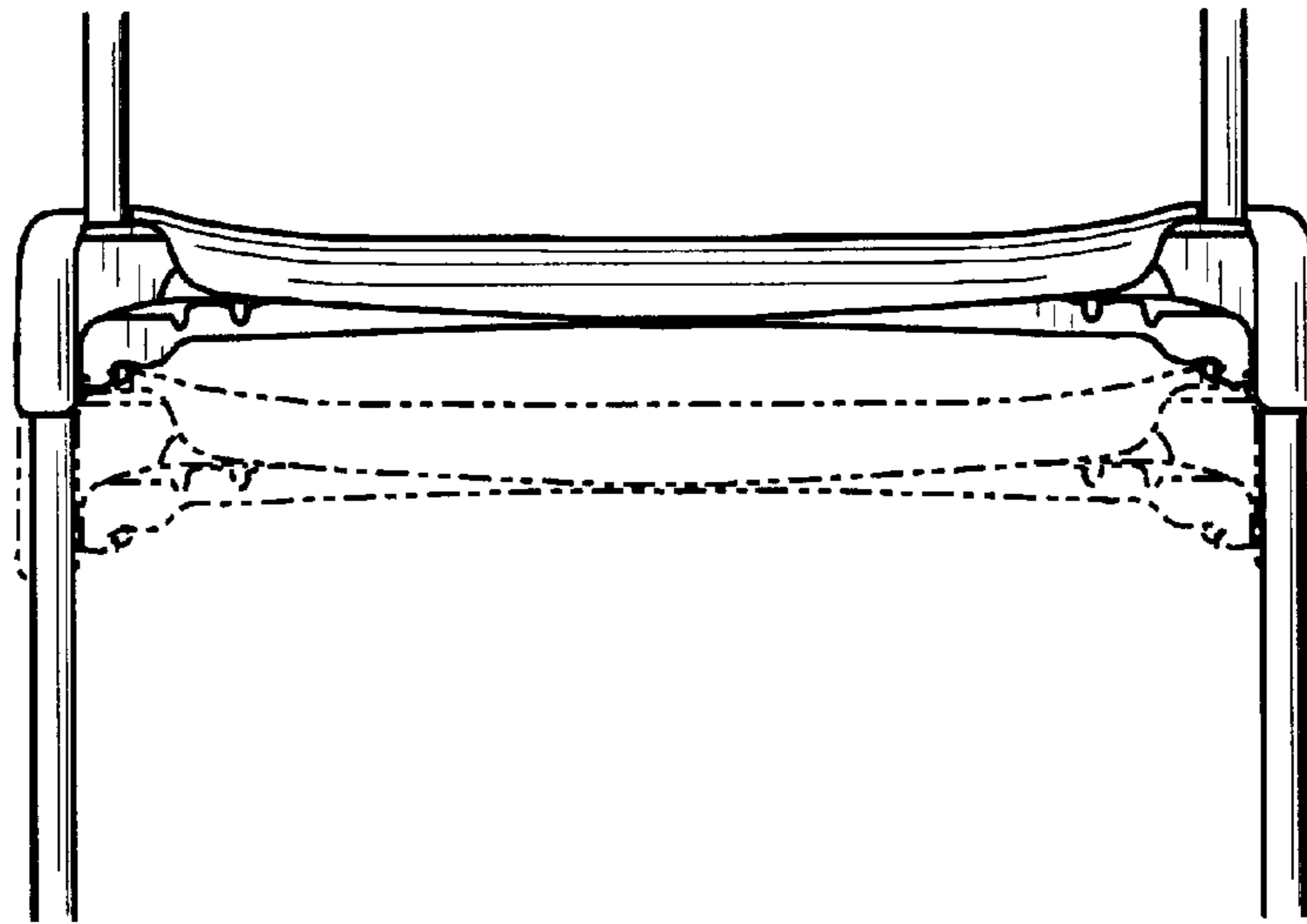
**FIG. 2**



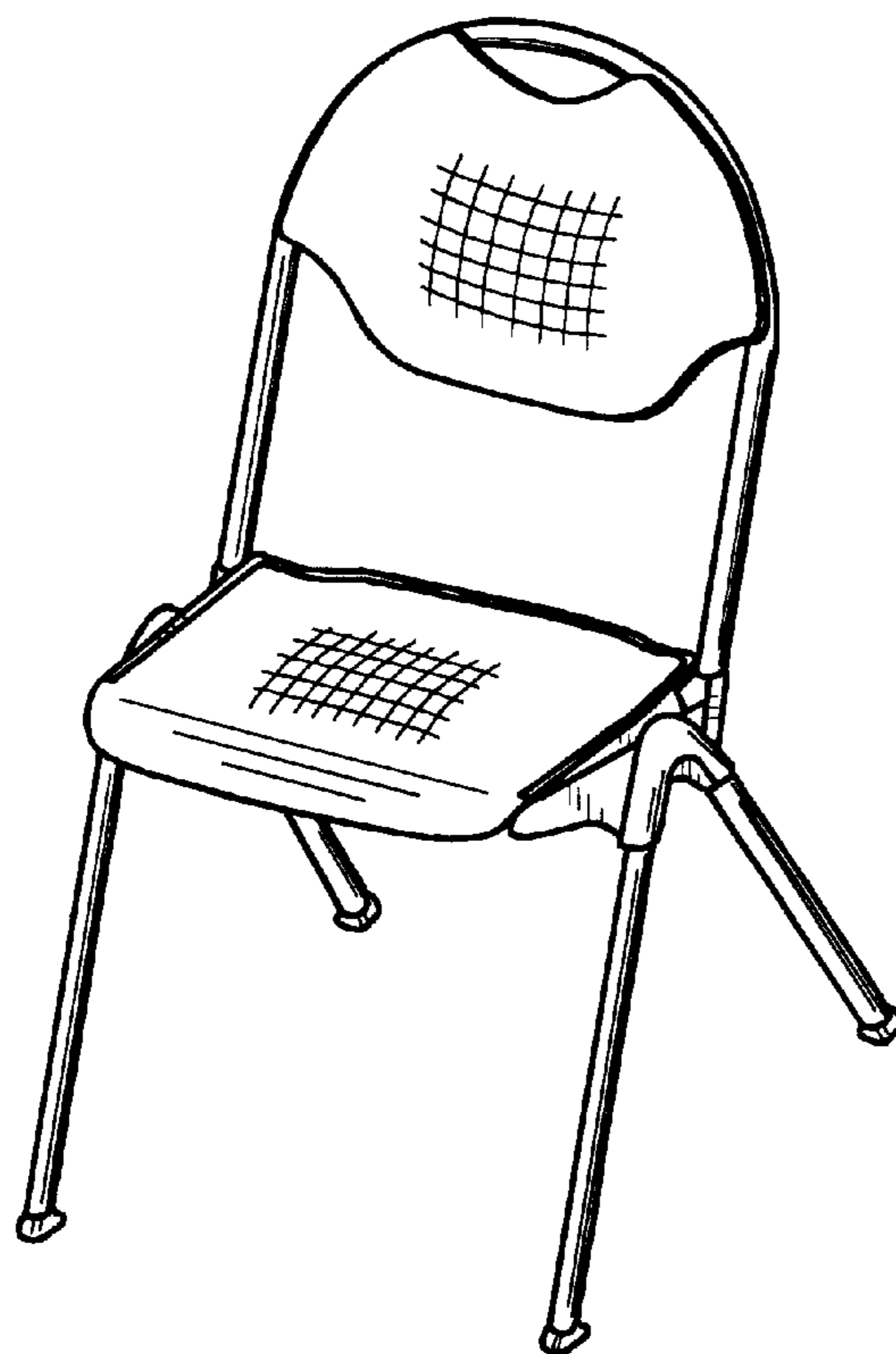
**FIG. 3**



**FIG. 4**



**FIG. 5**



**FIG. 6**