



US00D513452S

(12) **United States Design Patent** (10) **Patent No.:** **US D513,452 S**
Parve (45) **Date of Patent:** **** Jan. 10, 2006**

(54) **CLOSURE FOR A CONTAINER**

(75) Inventor: **Terrence M. Parve**, Menomonee Falls, WI (US)

(73) Assignee: **Gateway Plastics, Inc.**, Mequon, WI (US)

(**) Term: **14 Years**

(21) Appl. No.: **29/168,190**

(22) Filed: **Sep. 27, 2002**

(51) **LOC (8) Cl.** **09-07**

(52) **U.S. Cl.** **D4/447; D9/449; D9/435**

(58) **Field of Classification Search** D9/418, D9/425, 450, 465, 433, 435, 434, 4, 38, 447; D10/64; D19/37, 40; 33/1 A; 220/260, 47, 220/716, 265, 273, 236; 206/461, 157; 215/227; 222/570

See application file for complete search history.

(56) **References Cited**

U.S. PATENT DOCUMENTS

181,615 A	8/1876	Albertson	
199,896 A	2/1878	Burger	
332,148 A	* 12/1885	Goldsmith et al. 33/1 A
785,116 A	3/1905	Perry	
847,726 A	3/1907	Brannon	
893,489 A	7/1908	Essmuller	
947,025 A	1/1910	Pearl et al.	
1,330,365 A	2/1920	Alexander	
1,492,422 A	* 4/1924	Carter 215/227
1,773,553 A	8/1930	Taylor et al.	

(Continued)

FOREIGN PATENT DOCUMENTS

EP	0 631 942 A1	1/1995
FR	1153553	5/1958
GB	2120219	11/1983

OTHER PUBLICATIONS

Cap of a type understood to be commercially available from Weatherchem Corporation (six photographs; one sheet).
 Cap of a type understood to be commercially available from Weatherchem Corporation (seven photographs; one sheet).
 Cap of a type understood to be commercially available from Weatherchem Corporation (seven photographs; one sheet).
 Cap of a type understood to be commercially available from Weatherchem Corporation (seven photographs; one sheet).
 Cap of a type understood to be commercially available from Weatherchem Corporation (seven photographs; one sheet).
 Cap of a type understood to be commercially available from Weatherchem Corporation (six photographs; one sheet).
 Cap of a type understood to be commercially available from Weatherchem Corporation (six photographs; one sheet).
 Cap of a type understood to be commercially available from Kraft Foods North America, Inc. (six photographs; one sheet).
 Cap of a type understood to be commercially available and having two flaps with two dispensing openings (six photographs; one sheet).

(Continued)

Primary Examiner—Louis S. Zarfaz
Assistant Examiner—Gregory Andoll
 (74) *Attorney, Agent, or Firm*—Foley & Lardner LLP

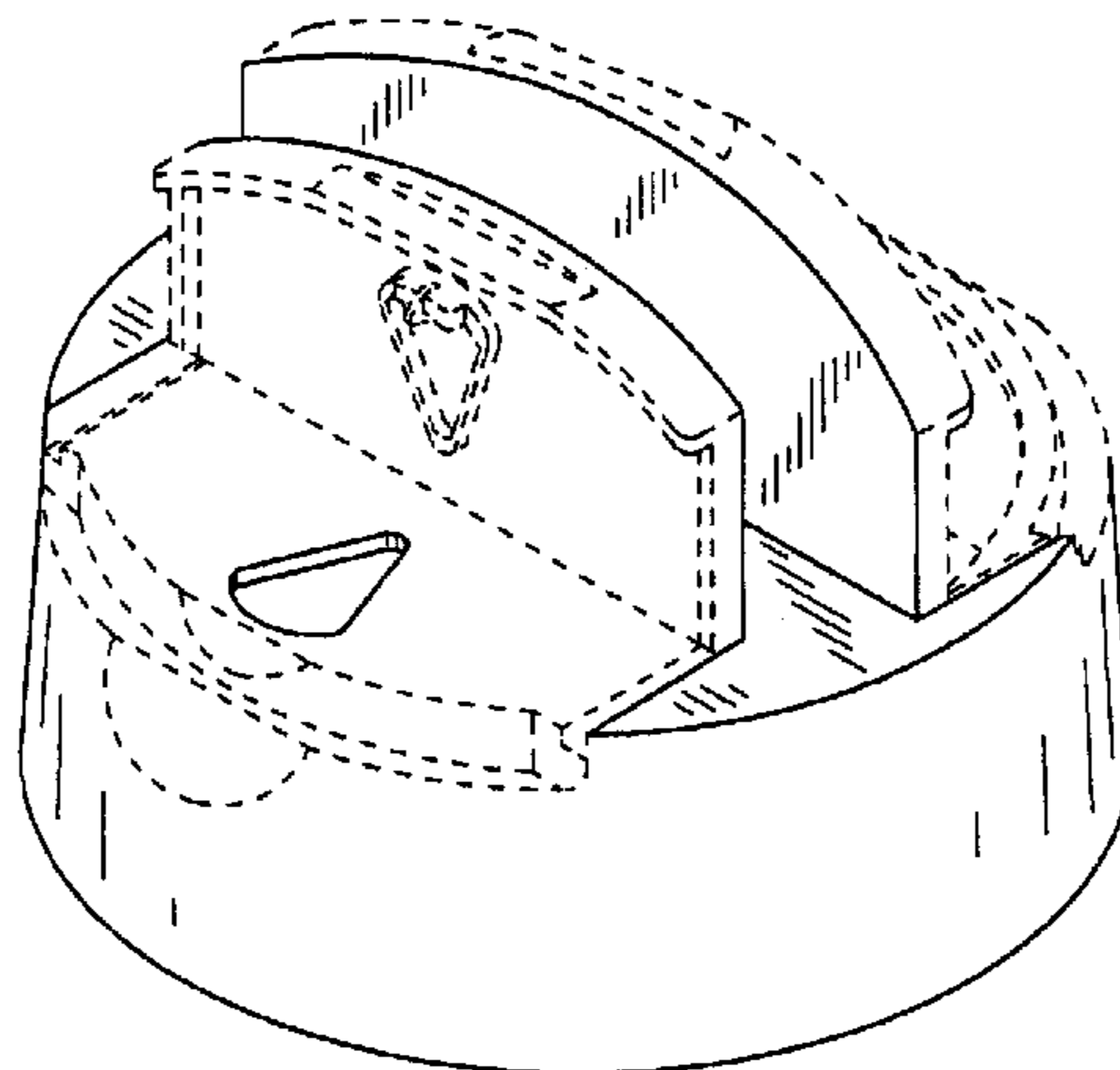
(57) **CLAIM**

I claim the ornamental design for a closure for a container, as shown and described.

DESCRIPTION

FIG. 1 is a right perspective view of the closure for a container. The left perspective view is a mirror image of the right perspective view.
 FIG. 2 is a front perspective view of the closure for a container.
 FIG. 3 is a top view of the closure for a container; and,
 FIG. 4 is a bottom view of the closure for a container.
 The broken line disclosure is for illustrative purposes only and forms no part of the claimed design.

1 Claim, 2 Drawing Sheets



US D513,452 S

U.S. PATENT DOCUMENTS							
2,094,600	A	10/1937	Hothersall	3,782,583	A	1/1974	Abbey
2,108,063	A	2/1938	Hothersall	3,788,510	A	1/1974	Collins
D110,872	S	8/1938	Lewis	3,867,738	A	* 2/1975	Garner 220/47
D112,844	S	* 1/1939	Medoff D9/418	3,871,550	A	3/1975	Chiappe
2,177,589	A	10/1939	Jacker	3,874,580	A	4/1975	Weatherhead, III
2,276,735	A	3/1942	Weber	3,877,604	A	4/1975	Brown
2,388,738	A	11/1945	Gudheim	3,888,373	A	6/1975	Gach et al.
2,562,647	A	7/1951	Shaver	3,952,912	A	4/1976	Perry
2,576,416	A	11/1951	Randlett	3,966,080	A	6/1976	Bittel
2,625,306	A	1/1953	Murphy	4,022,352	A	5/1977	Pehr
2,690,861	A	10/1954	Tupper	4,029,033	A	6/1977	Kerwin et al.
2,780,395	A	2/1957	Schiabach et al.	4,029,202	A	6/1977	Lasich et al.
2,817,451	A	12/1957	Giles et al.	4,030,630	A	6/1977	Yealy
2,826,343	A	3/1958	Albiani	D245,750	S	9/1977	Maclean
2,849,164	A	8/1958	Weisgerber	4,059,201	A	11/1977	Foster
2,851,203	A	9/1958	Nowak	4,069,942	A	1/1978	Marshall et al.
D184,845	S	* 4/1959	Zahariades D10/64	D247,475	S	3/1978	Newman
2,894,654	A	7/1959	Lohrer	4,082,201	A	4/1978	Bittel
2,909,306	A	* 10/1959	Inotay 225/570	D249,023	S	8/1978	Ames
2,954,148	A	9/1960	Corrinet et al.	4,106,672	A	8/1978	Tecco et al.
2,961,132	A	11/1960	Ankney	4,120,432	A	10/1978	Fuchs
2,961,133	A	11/1960	Ankney	4,144,985	A	3/1979	Kinslow
2,971,681	A	2/1961	Galbierz	4,155,481	A	5/1979	Takahashi et al.
3,018,931	A	1/1962	Westgate	4,163,496	A	8/1979	Dogliotti
3,031,111	A	4/1962	Stull	4,165,015	A	8/1979	Hasegawa
3,036,746	A	5/1962	Hagen	4,170,315	A	10/1979	Dubach et al.
3,058,630	A	10/1962	Abt	D255,326	S	6/1980	Pettengill
3,059,816	A	10/1962	Goldstein	4,231,486	A	11/1980	Bock
3,100,589	A	8/1963	Love, Jr.	4,234,099	A	11/1980	Tarro
3,113,693	A	12/1963	Stull	4,244,488	A	* 1/1981	Fridl et al. 220/260
3,117,701	A	1/1964	Stull	4,253,587	A	3/1981	Otterson
3,140,019	A	7/1964	Barr	4,258,876	A	3/1981	Ljungcrantz
3,143,256	A	8/1964	Lazure et al.	4,267,937	A	5/1981	Piltz et al.
3,155,285	A	11/1964	Van Baam	4,274,563	A	6/1981	Otterson
D200,024	S	1/1965	Lombardo	4,280,636	A	7/1981	Lewis
D200,270	S	2/1965	Waterman	4,284,200	A	8/1981	Bush et al.
3,180,537	A	4/1965	Collins	4,291,818	A	9/1981	Nozawa et al.
3,181,746	A	5/1965	Tupper	4,299,339	A	11/1981	Giroux et al.
3,203,571	A	8/1965	Plunkett	4,346,823	A	8/1982	Eppenbach
3,217,921	A	11/1965	Frehse	D266,390	S	10/1982	Haner
3,217,949	A	11/1965	Davis	4,359,171	A	11/1982	Lewis
D204,509	S	4/1966	Waterman	4,361,250	A	11/1982	Foster
D204,713	S	* 5/1966	Shelby D9/425	4,369,901	A	1/1983	Hidding
3,262,606	A	7/1966	Waterman	D268,650	S	* 4/1983	Kirstine D9/450
3,276,621	A	* 10/1966	Tolaas 206/157	D270,998	S	* 10/1983	Stark D9/522
3,281,009	A	* 10/1966	Collie et al. 220/716	4,414,705	A	11/1983	Ostrowsky
3,281,982	A	11/1966	Salisbury	D272,807	S	2/1984	Ruhl
3,285,467	A	* 11/1966	Moran 220/273	4,442,950	A	4/1984	Wilson
3,322,308	A	5/1967	Foster	4,457,458	A	7/1984	Heinol
3,323,671	A	6/1967	Minarik, Jr. et al.	4,463,869	A	8/1984	Lewis
3,351,242	A	11/1967	Lodding et al.	4,467,938	A	8/1984	Allen
3,370,757	A	2/1968	Foster	D276,981	S	1/1985	Cleevly
3,372,832	A	3/1968	Yeater et al.	4,494,679	A	1/1985	Cleevly
3,397,823	A	8/1968	Kirkpatrick	4,500,016	A	2/1985	Funfstuck
3,412,890	A	11/1968	Rich	4,503,991	A	3/1985	Joyce
3,428,208	A	2/1969	Kosar	D278,602	S	4/1985	Rosenstein
3,463,364	A	8/1969	Rehag	4,533,058	A	8/1985	Uhlig
3,469,732	A	9/1969	Foster	4,538,731	A	9/1985	Cillario
3,473,692	A	* 10/1969	Moller 220/265	4,541,541	A	9/1985	Hickman et al.
3,476,284	A	* 11/1969	Callegari 220/326	4,545,495	A	10/1985	Kinsley
3,486,665	A	12/1969	La Croce	4,545,508	A	10/1985	Cribb, Jr. et al.
3,499,588	A	3/1970	Bartilson et al.	4,580,687	A	4/1986	Lewis
D218,289	S	8/1970	Posada	4,582,216	A	* 4/1986	Byrd 220/260
3,542,235	A	11/1970	Hidding	4,610,371	A	9/1986	Karkiewicz
3,563,426	A	2/1971	Bartilson	4,611,725	A	9/1986	Kacalief
3,651,992	A	3/1972	Hazard	4,621,744	A	11/1986	Foster
3,659,756	A	5/1972	Lancaster	4,629,081	A	12/1986	McLaren
3,675,812	A	7/1972	Foster	4,648,528	A	3/1987	LaBarge et al.
3,741,377	A	6/1973	Krellen	4,651,885	A	3/1987	Gach
3,744,662	A	7/1973	Zundel	4,658,980	A	4/1987	Lindstrom

US D513,452 S

D291,411 S	8/1987	Crawford	5,328,063 A	7/1994	Beck et al.
4,693,399 A	9/1987	Hickman et al.	5,330,082 A	7/1994	Forsyth
D292,491 S	10/1987	Ross et al.	5,339,993 A	8/1994	Groya et al.
4,714,181 A	12/1987	Kozlowski et al.	5,356,017 A	10/1994	Rohr et al.
4,723,693 A	2/1988	DeCoster	D355,121 S	2/1995	Kohl
4,726,091 A	2/1988	Joyce	5,423,442 A	6/1995	Nozawa et al.
4,735,334 A	4/1988	Abbott	5,467,879 A	11/1995	Moore
4,739,906 A	4/1988	LoTurco	5,489,035 A	2/1996	Fuchs
4,752,014 A	6/1988	House et al.	5,494,200 A	2/1996	Sheffler et al.
4,778,071 A	10/1988	Fillmore	5,499,736 A	3/1996	Kohl
4,792,054 A	12/1988	Weidman	5,507,419 A	4/1996	Martin et al.
4,793,501 A	12/1988	Beck	5,509,582 A	4/1996	Robbins, III
4,793,502 A	12/1988	Beck	5,511,679 A	4/1996	Beck
4,823,995 A	4/1989	Lewis	5,542,579 A	8/1996	Robbins, III
4,838,441 A	6/1989	Chernack	5,566,850 A	10/1996	Forsyth et al.
4,848,612 A	7/1989	Beck	5,579,957 A	12/1996	Gentile et al.
4,854,473 A	8/1989	Dubach	5,588,546 A	12/1996	Farside
4,878,589 A	11/1989	Webster et al.	5,601,213 A	2/1997	Daniello
4,881,668 A	11/1989	Kitterman et al.	5,632,417 A	5/1997	Robbins, III et al.
4,881,688 A	11/1989	Hankvist et al.	5,642,824 A	7/1997	Hess, III et al.
D305,206 S	12/1989	Hickman et al.	5,667,089 A	9/1997	Moore
D305,734 S	1/1990	Allen	D384,578 S	* 10/1997	Wangu et al. D9/415
4,898,292 A	2/1990	VerWeyst et al.	5,680,968 A	10/1997	Moore
D306,563 S	3/1990	Johnson	D385,791 S	11/1997	Forsyth et al.
D306,701 S	3/1990	Beck	5,743,444 A	4/1998	Beck et al.
4,927,065 A	5/1990	Beck	5,762,216 A	6/1998	Takeuchi
4,934,590 A	6/1990	Robichaud et al.	5,785,193 A	7/1998	Kobayashi et al.
4,936,494 A	6/1990	Weidman	5,799,838 A	9/1998	Miller
4,938,390 A	7/1990	Markva	5,829,609 A	11/1998	Beck
4,940,167 A	7/1990	Fillmore et al.	5,829,611 A	11/1998	Beck
4,955,504 A	9/1990	Lesscher	5,842,592 A	12/1998	Beck
4,955,513 A	9/1990	Bennett	5,865,353 A	2/1999	Baudin
4,967,941 A	11/1990	Beck	5,875,907 A	3/1999	Lay
4,971,213 A	11/1990	Ishinabe et al.	5,878,885 A	* 3/1999	Wangu et al. 206/461
4,984,716 A	1/1991	Beck	D407,976 S	4/1999	Ekkert
4,993,606 A	2/1991	Bolen, Jr. et al.	5,913,435 A	6/1999	Fuchs
5,007,555 A	4/1991	Beck	D413,064 S	8/1999	Bansal
5,016,787 A	5/1991	Beck	D414,698 S	10/1999	Mogard et al.
D318,778 S	8/1991	Fiore et al.	5,971,231 A	10/1999	Samz et al.
D319,588 S	9/1991	Beck	5,975,368 A	11/1999	Wood
5,048,730 A	9/1991	Forsyth et al.	5,996,859 A	12/1999	Beck
D320,739 S	10/1991	Camus	D419,069 S	1/2000	Beck et al.
D320,746 S	10/1991	Bolen, Jr. et al.	6,024,256 A	2/2000	Beck et al.
D321,137 S	10/1991	Hofmann et al.	6,102,257 A	8/2000	Goyet
5,052,572 A	10/1991	Pherigo	D435,445 S	12/2000	Arai et al.
D321,476 S	11/1991	Alcover	6,158,632 A	12/2000	Ekkert
5,067,624 A	11/1991	Thanisch	6,164,503 A	12/2000	Forsyth et al.
D323,461 S	1/1992	Beck	D436,040 S	1/2001	Warner et al.
D323,462 S	1/1992	Beck	6,170,664 B1	1/2001	Dar
5,083,671 A	1/1992	Hayes	6,202,872 B1	3/2001	Smeyak et al.
D324,175 S	2/1992	Beck	D440,156 S	4/2001	Lonczak et al.
5,085,331 A	2/1992	Groya et al.	6,250,507 B1	6/2001	Ekkert
5,129,531 A	7/1992	Beck et al.	6,250,517 B1	6/2001	Samz et al.
5,129,533 A	7/1992	Loffler	6,283,317 B1	9/2001	Benoit-gonin et al.
5,143,234 A	9/1992	Lohrman et al.	6,289,906 B1	9/2001	Vanden Dries et al.
D331,877 S	12/1992	Robichaud et al.	6,296,130 B1	10/2001	Forsyth et al.
D331,878 S	12/1992	Forsyth	6,299,033 B1	10/2001	VerWeyst et al.
5,167,338 A	12/1992	Kick	6,308,870 B2	10/2001	Samz et al.
5,197,634 A	3/1993	Beck	6,321,923 B1	11/2001	Wood
5,211,301 A	5/1993	Groya et al.	6,325,231 B1	12/2001	Ketting et al.
5,215,204 A	6/1993	Beck et al.	6,332,551 B1	12/2001	Copeland
5,219,100 A	6/1993	Beck et al.	D453,892 S	2/2002	Lindsay et al.
D339,065 S	9/1993	Forsyth et al.	RE37,634 E	4/2002	Hickman et al.
D340,187 S	10/1993	Forsyth	6,382,476 B1	5/2002	Randall et al.
D340,188 S	* 10/1993	Forsyth D9/449	6,405,885 B1	6/2002	Elliott
5,282,540 A	2/1994	Beck	6,439,410 B1	8/2002	Dubach
5,297,688 A	3/1994	Beck et al.	6,460,712 B2	10/2002	Smith et al.
5,305,931 A	4/1994	Martin et al.	6,460,718 B1	10/2002	Vogel
D346,958 S	5/1994	Olson	6,460,726 B1	10/2002	Hierzer et al.
5,314,093 A	5/1994	Gross et al.	6,464,113 B1	10/2002	Vogel
D347,974 S	6/1994	McBride	6,474,491 B1	11/2002	Benoit-Gonin et al.

6,477,743	B1	11/2002	Gross et al.	
6,481,589	B2	11/2002	Blomdahl et al.	
6,488,187	B2	12/2002	Sheffler et al.	
6,494,346	B2	12/2002	Gross et al.	
D468,639	S	1/2003	Wennerstrom et al.	
6,508,373	B1	1/2003	Robinson	
6,510,971	B1	1/2003	Martin	
D471,451	S	* 3/2003	Hadeler	D9/433
6,575,323	B1	6/2003	Martin et al.	
D476,892	S	7/2003	Martin et al.	

OTHER PUBLICATIONS

Cap of a type understood to be commercially available from Weatherchem Corporation (seven photographs; one sheet).
 Cap of a type understood to be commercially available from Kraft Foods North America, Inc. (fourteen photographs, two sheets).
 Cap of a type understood to be commercially available from Kraft Foods North America, Inc. (ten photographs, one sheet).
 Cap of a type understood to be commercially available from Nestle Purina Petcare Company (twelve photographs, two sheets).
 Cap of a type understood to be commercially available from Resibel N.V. in or about 1996 and made available/obtained during discovery in *Gateway Plastics, Inc. v. Weatherchem Corp.*, Case No. 02-C-0670 (E.D. Wis) (twelve photographs, two sheets).
 Amended complaint, *Gateway Plastics, Inc. v. Weatherchem Corporation*, Case No. 02-C-0870 (E.D. Wis.), Dated Nov. 18, 2002, with legible copy of Exhibit D.
 Answer and Counterclaim, *Gateway Plastics, Inc. v. Weatherchem Corporation*, Case No. 02-C-0870 (E.D. Wis.), Dated Dec. 5, 2002.

Amended Answer and Counterclaim, *Gateway Plastics, Inc. v. Weatherchem Corp.*, Case No. 02-C-0870 (E.D. Wis.); filed Sep. 2, 2003.

Brief in Support of Motion by Plaintiff Gateway Plastics, Inc. for a Preliminary Injunction, *Gateway Plastics, Inc. v. Weatherchem Corp.*, Case No. 02-C-0870 (E.D. Wis.); filed Dec. 19, 2003.

Weatherchem's Brief in Opposition to Gateway's Motion for Preliminary Injunction, *Gateway Plastics, Inc. v. Weatherchem Corp.*, Case No. 02-C-0870 (E.D. Wis.); filed Feb. 4, 2004.

Decision and Order, *Gateway Plastics, Inc. v. Weatherchem Corp.*, Case No. 08-C-0870 (E.D. Wis.); filed Dec. 17, 2003.

Weatherchem Exhibit Nos. WC 601-WC 648 and WC 651-WC 653B in Opposition to Preliminary Injunction, *Gateway Plastics, Inc. v. Weatherchem Corp.*, Case No. 02-C-0870 (E.D. Wis.); filed Feb. 4, 2004.

Cap of a type commercially available from Gateway Plastics, Inc. (four photographs, one sheet).

Cap of a type commercially available from Gateway Plastics, Inc. (four photographs, one sheet).

Cap of a type commercially available from Gateway Plastics, Inc. (four photographs, one sheet).

Cap of a type commercially available from Gateway Plastics, Inc. (four photographs, one sheet).

* cited by examiner

FIGURE 1

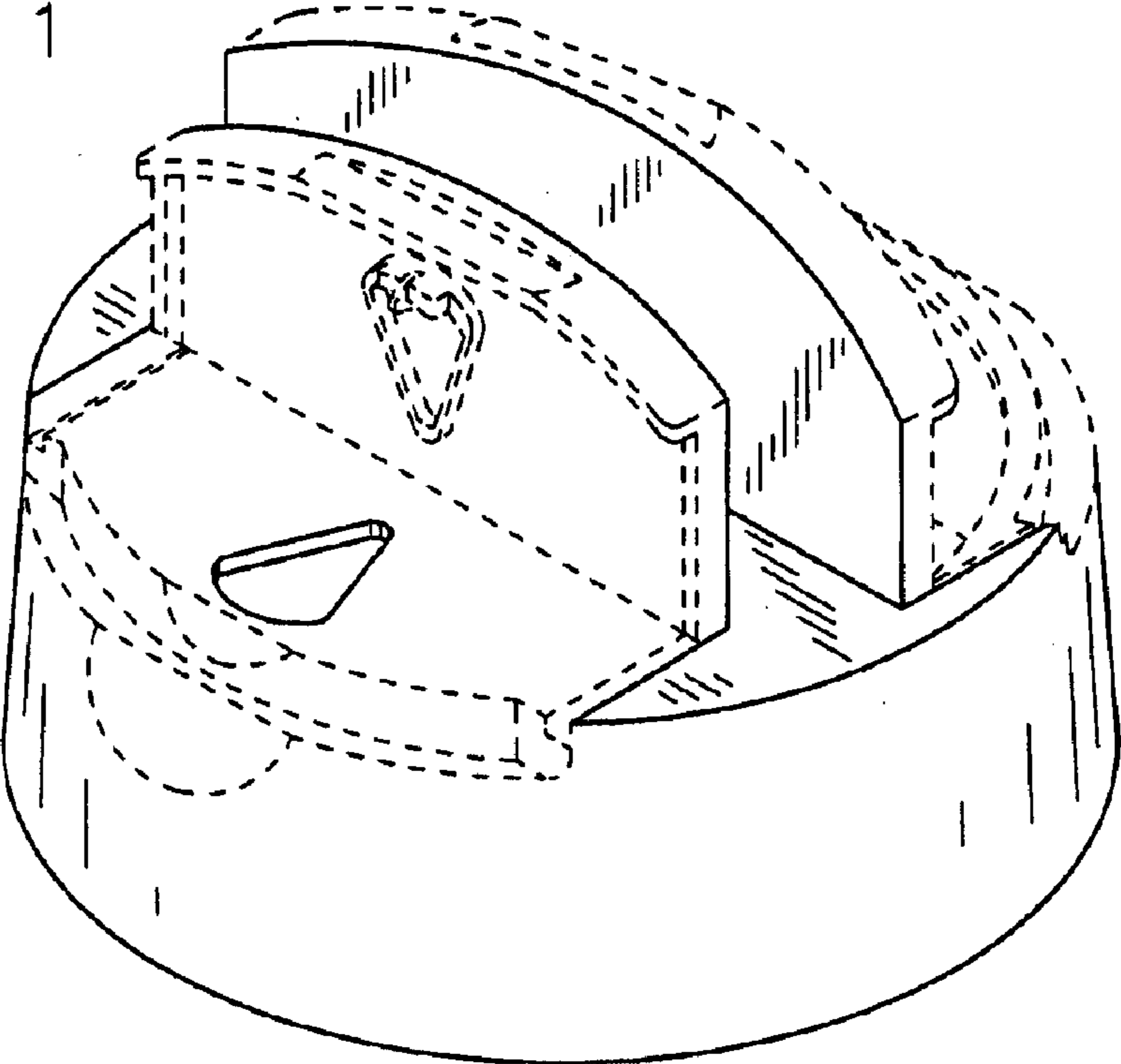


FIGURE 2

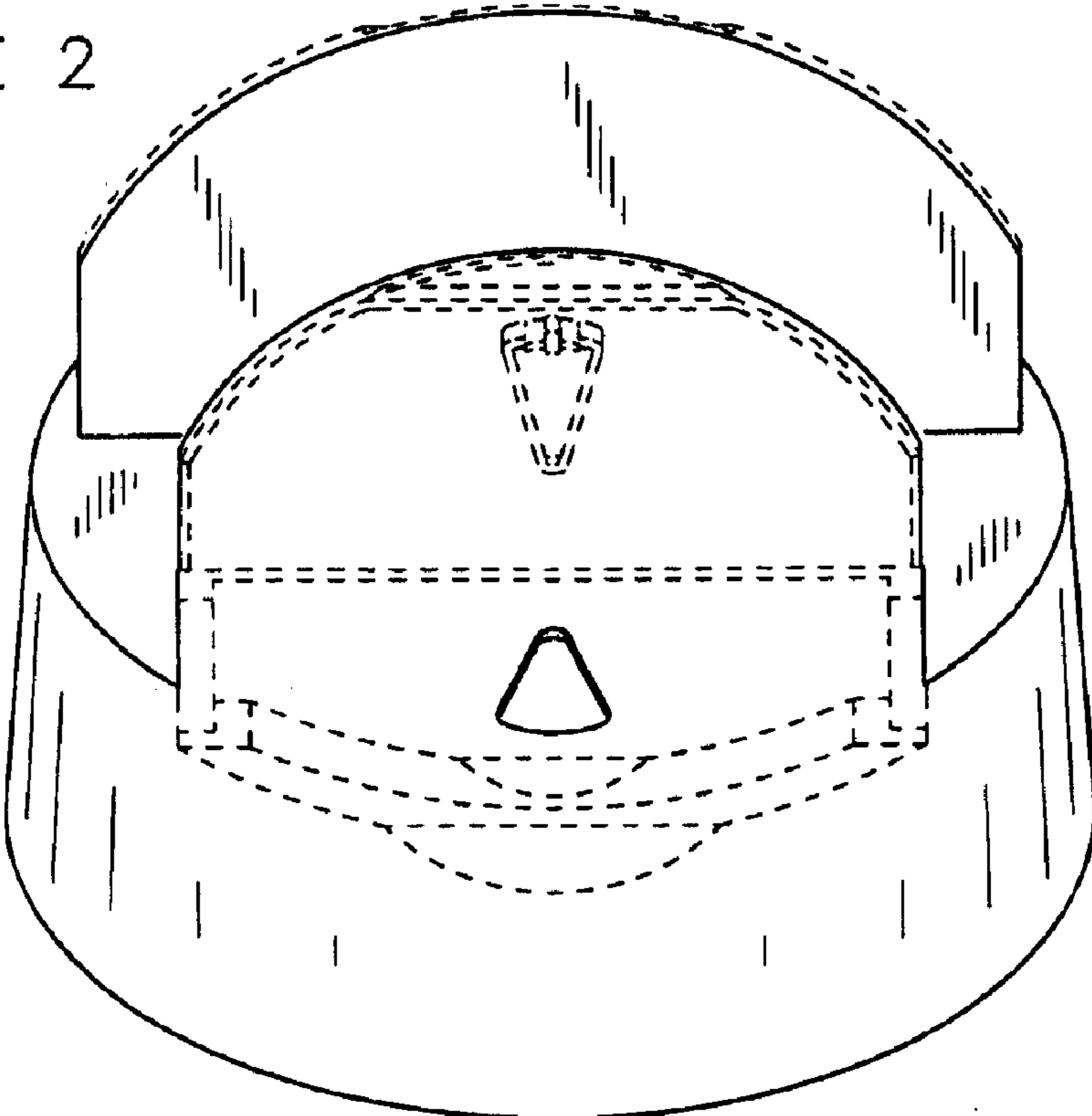


FIGURE 3

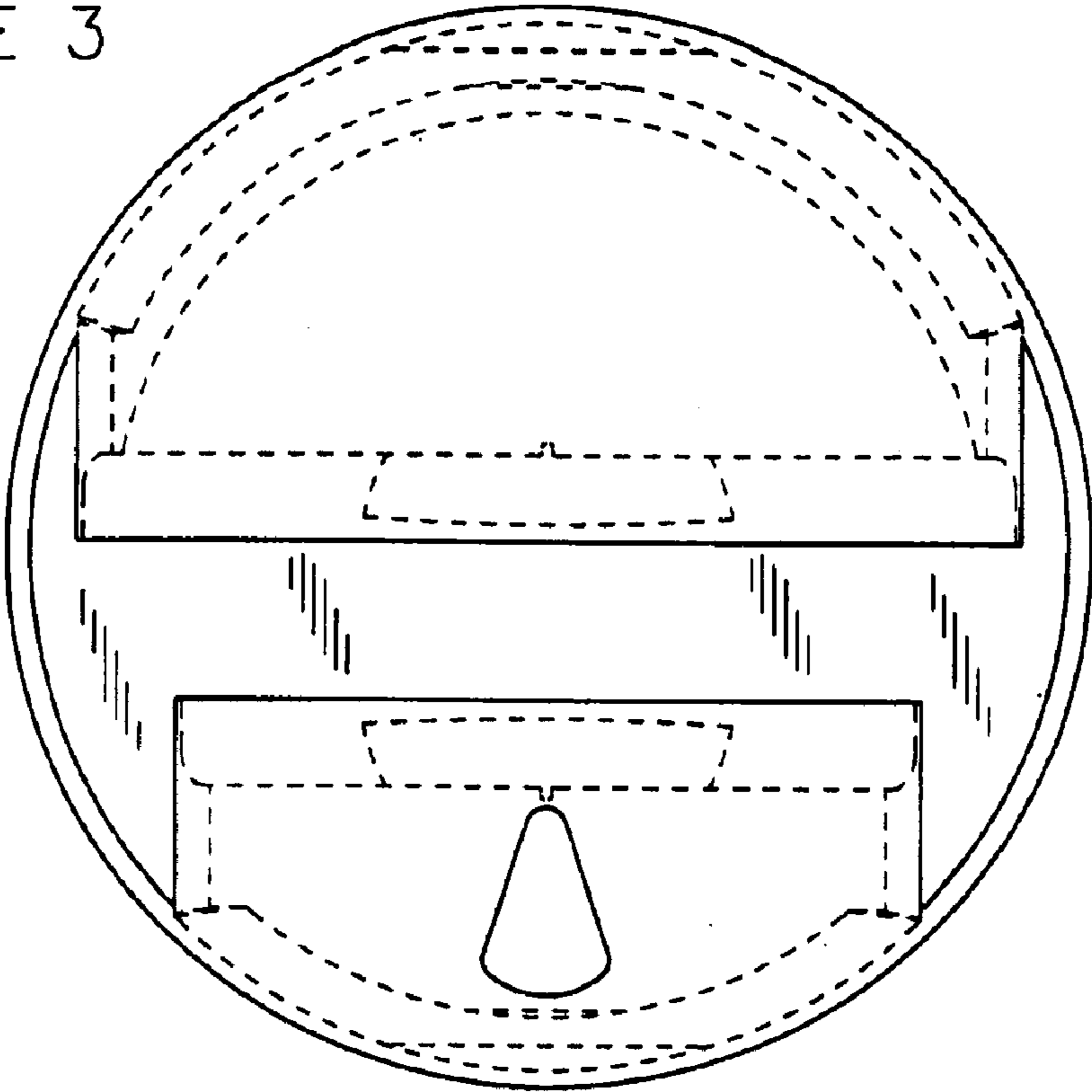


FIGURE 4

