



US00D513451S

(12) **United States Design Patent** (10) **Patent No.:** **US D513,451 S**  
**Richardson et al.** (45) **Date of Patent:** **\*\* Jan. 10, 2006**

(54) **BOX**  
 (75) Inventors: **Curtis R. Richardson**, Fort Collins, CO (US); **Douglas A. Kempel**, Fort Collins, CO (US)  
 (73) Assignee: **Otter Products, LLC**, Fort Collins, CO (US)  
 (\*\*) Term: **14 Years**  
 (21) Appl. No.: **29/205,722**  
 (22) Filed: **May 18, 2004**

**Related U.S. Application Data**

(63) Continuation of application No. 29/201,018, filed on Mar. 8, 2004, now abandoned.  
 (51) **LOC (8) Cl.** ..... **03-01**  
 (52) **U.S. Cl.** ..... **D3/273**  
 (58) **Field of Classification Search** ..... D3/201, D3/272, 273, 276, 281, 282, 294, 295; D9/420, D9/423, 424; D27/189; 206/349, 372, 373; 220/324, 833, 834; 312/905; 190/100  
 See application file for complete search history.

D347,732 S \* 6/1994 Wentz ..... D3/294  
 D353,048 S 12/1994 VanSkiver et al.  
 D381,512 S 7/1997 Green  
 D386,611 S 11/1997 Sheu  
 D402,105 S 12/1998 Erickson  
 D409,374 S 5/1999 Laba et al.  
 D412,062 S 7/1999 Potter et al.  
 D413,202 S \* 8/1999 Schmitt et al. .... D3/276  
 D413,203 S 8/1999 Zurwelle et al.  
 D419,297 S \* 1/2000 Richardson et al. .... D3/273  
 D419,767 S \* 2/2000 Richardson et al. .... D3/273  
 D419,768 S \* 2/2000 Richardson et al. .... D3/273  
 6,031,524 A 2/2000 Kunert  
 6,041,924 A 3/2000 Tajima  
 6,049,813 A 4/2000 Danielson et al.  
 D423,772 S 5/2000 Cooper et al.  
 6,068,119 A 5/2000 Derr et al.  
 D429,884 S 8/2000 Zurwelle et al.  
 6,094,785 A 8/2000 Montgomery et al.  
 D433,798 S 11/2000 Weinstock  
 D439,407 S \* 3/2001 Parker ..... D3/276  
 6,215,474 B1 4/2001 Shah  
 D441,954 S \* 5/2001 Parker ..... D3/279

(Continued)

*Primary Examiner*—Philip S. Hyder  
 (74) *Attorney, Agent, or Firm*—Coghran Freund & Young LLC; William W. Cochran

(56) **References Cited**

**U.S. PATENT DOCUMENTS**

2,392,787 A 1/1946 Vermot  
 D216,853 S 3/1970 Schurman  
 D220,233 S 3/1971 Schurman  
 3,590,988 A 7/1971 Hollar  
 D275,822 S \* 10/1984 Gatland et al. .... D3/282  
 4,703,161 A 10/1987 McLean  
 4,762,227 A 8/1988 Patterson  
 5,092,459 A 3/1992 Uljanic et al.  
 D327,646 S 7/1992 Hardigg et al.  
 D329,747 S 9/1992 Embree  
 D330,329 S 10/1992 Brightbill  
 5,175,873 A 12/1992 Goldenburg et al.  
 D335,220 S 5/1993 Ward et al.  
 D342,609 S 12/1993 Brightbill  
 D347,324 S 5/1994 Dickenson

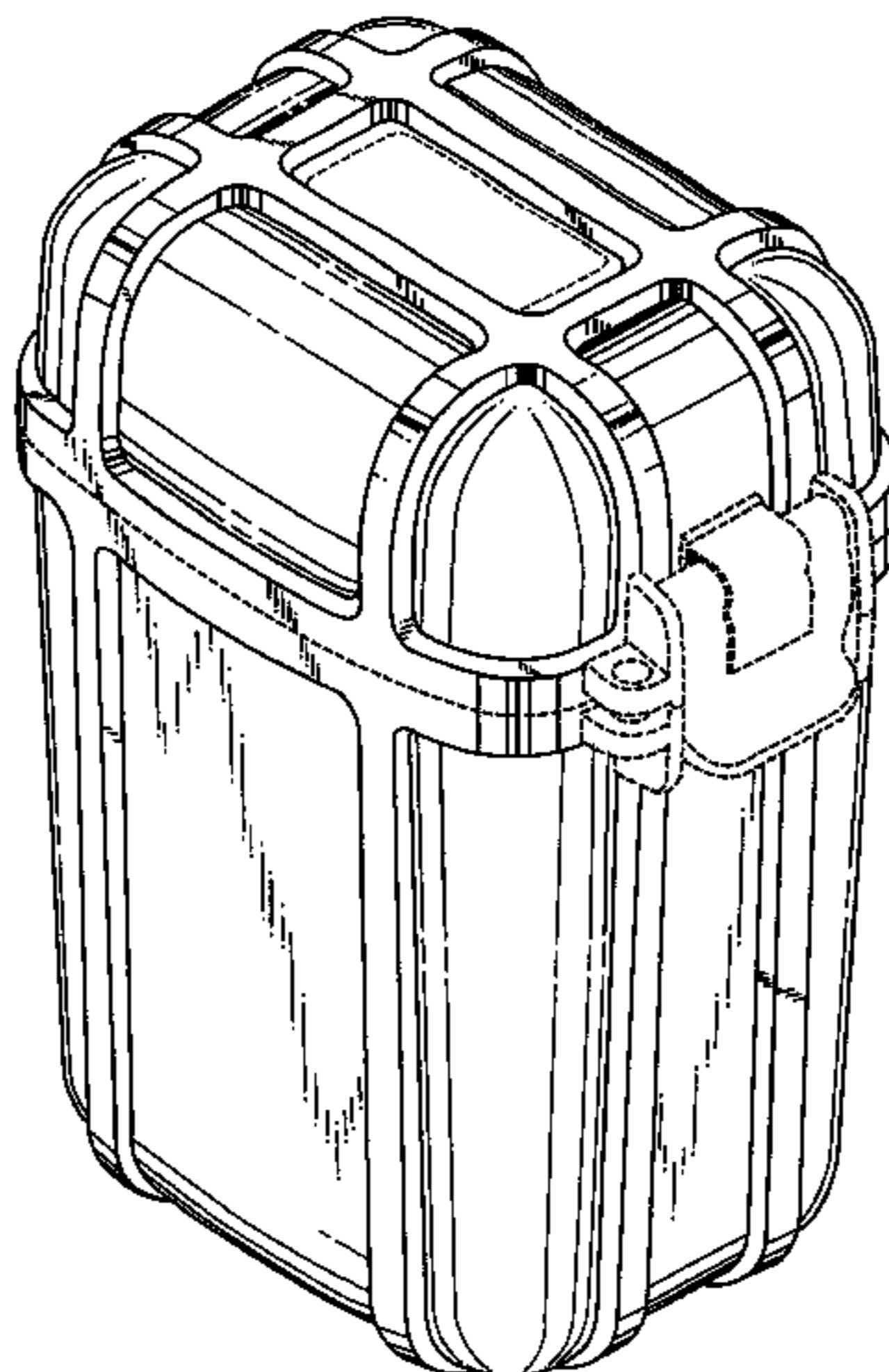
(57) **CLAIM**

The ornamental design for a box, as shown and described.

**DESCRIPTION**

FIG. 1 is an isometric view of a box showing my new design.  
 FIG. 2 is a front view thereof.  
 FIG. 3 is a top view thereof.  
 FIG. 4 is a right side view thereof.  
 FIG. 5 is a left side view thereof.  
 FIG. 6 is a rear view thereof; and,  
 FIG. 7 is a bottom view thereof.  
 The broken line portions of the disclosure are for illustrative purposes only and form no part of the claimed design.

**1 Claim, 7 Drawing Sheets**



# US D513,451 S

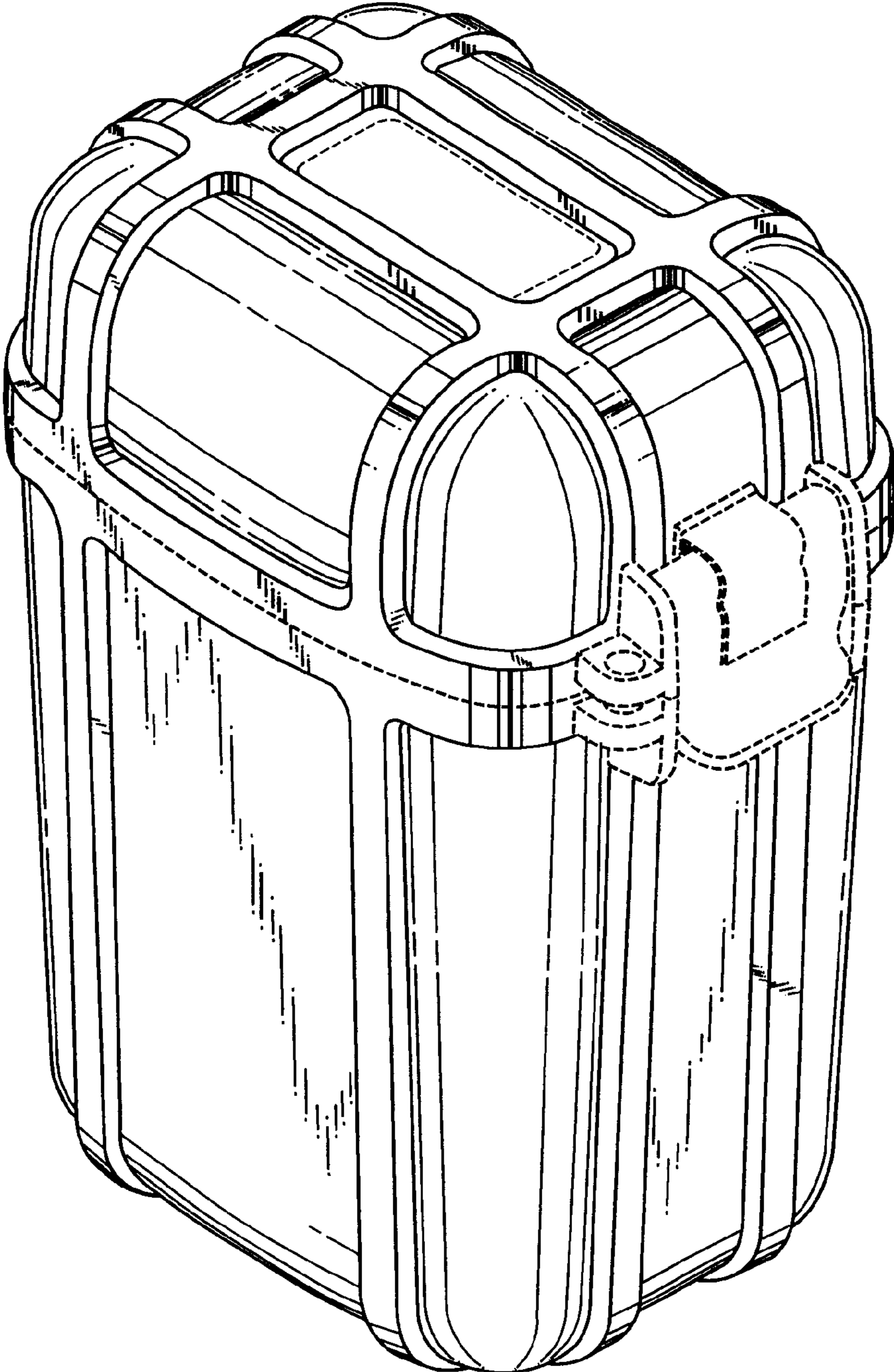
Page 2

---

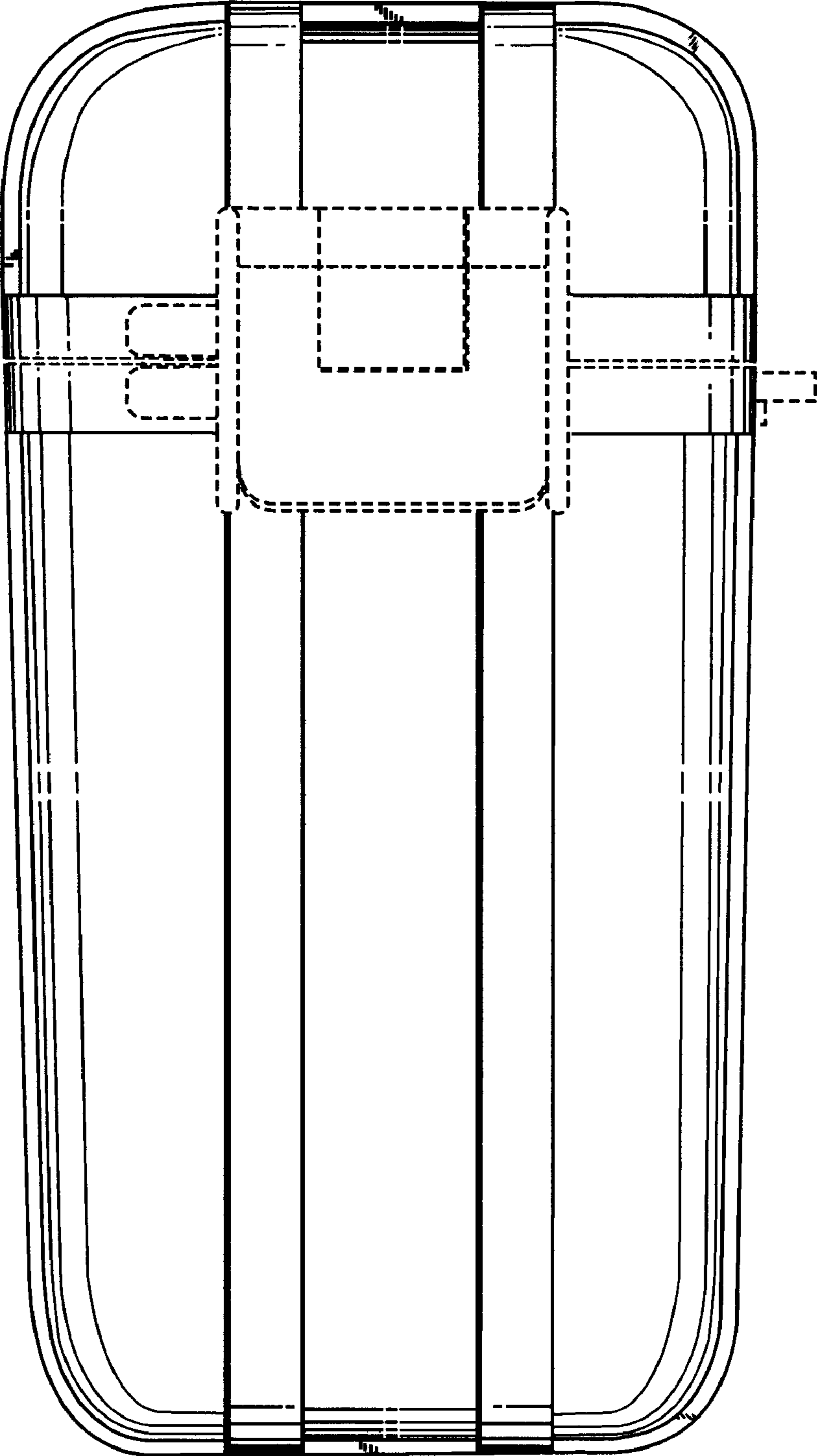
## U.S. PATENT DOCUMENTS

6,239,968 B1	5/2001	Kim et al.	D464,196 S	*	10/2002	Parker	.....	D3/273
D443,133 S	6/2001	Richardson et al.	6,471,056 B1		10/2002	Tzeng		
6,273,252 B1	8/2001	Mitchell	D465,330 S	*	11/2002	Parker	.....	D3/273
6,301,100 B1	10/2001	Iwata	D470,659 S	*	2/2003	Story et al.	.....	D3/291
6,313,892 B2	11/2001	Gleckman	6,519,141 B2		2/2003	Tseng et al.		
6,313,982 B1	11/2001	Hino	6,536,589 B2		3/2003	Chang		
6,317,313 B1	11/2001	Mosgrove et al.	D472,384 S		4/2003	Richardson		
6,388,877 B1	5/2002	Canova, Jr. et al.	6,646,864 B2		11/2003	Richardson et al.		
6,415,138 B2	7/2002	Sirola et al.	6,665,174 B1		12/2003	Derr et al.		
6,445,577 B1	9/2002	Madsen et al.	2002/0101707 A1		8/2002	Canova et al.		
6,456,487 B1	9/2002	Hetterick et al.						

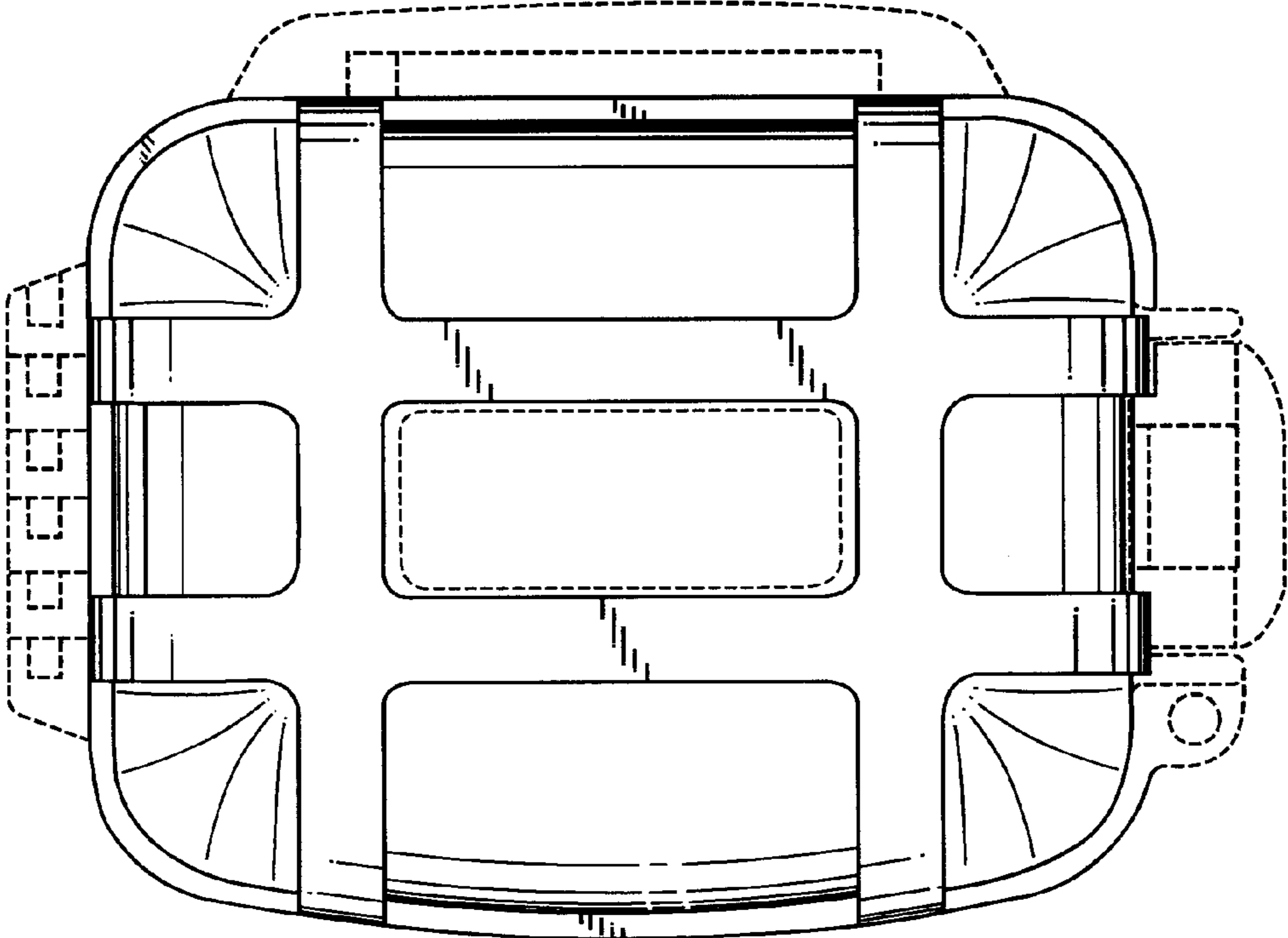
\* cited by examiner



**FIGURE 1**

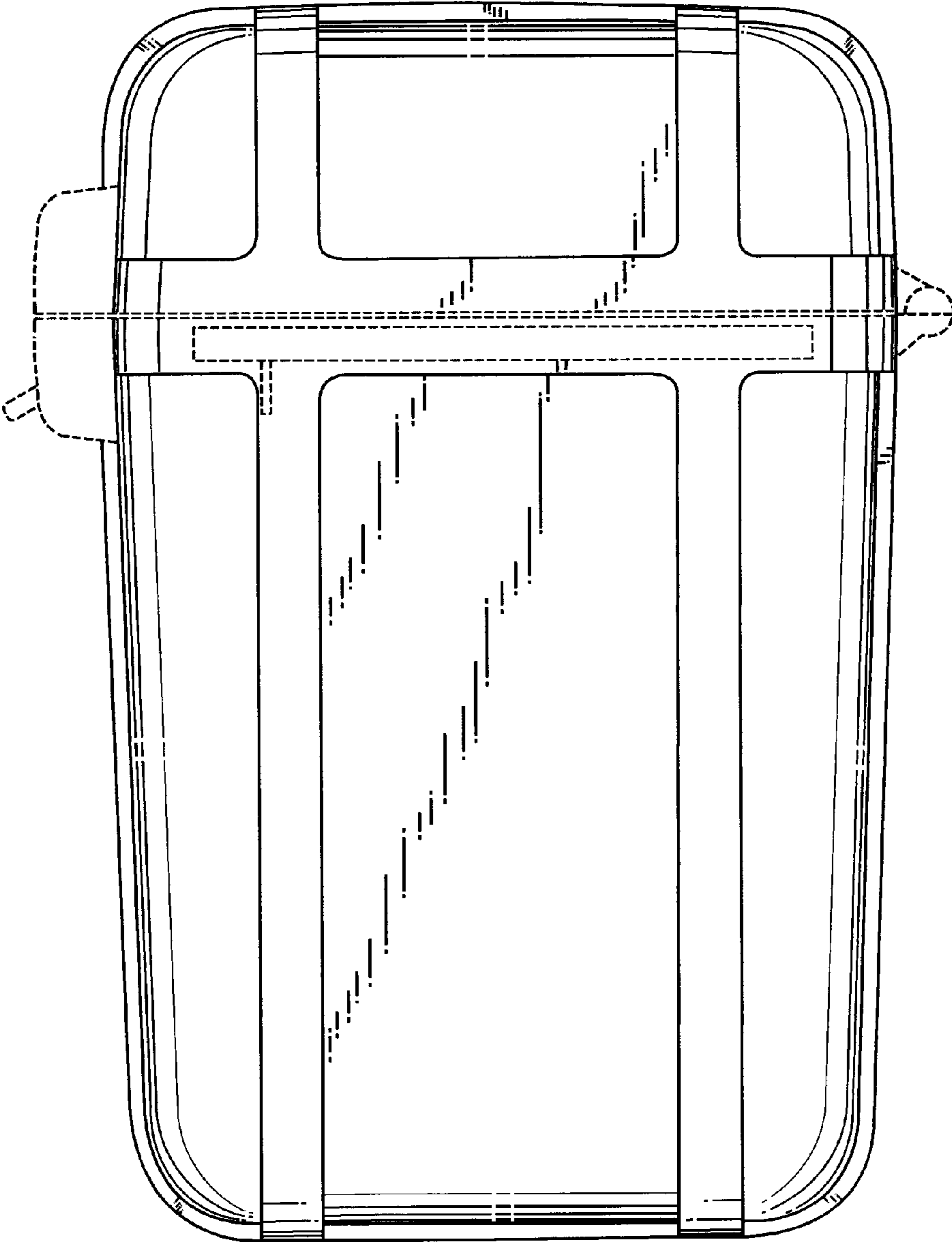


**FIGURE 2**

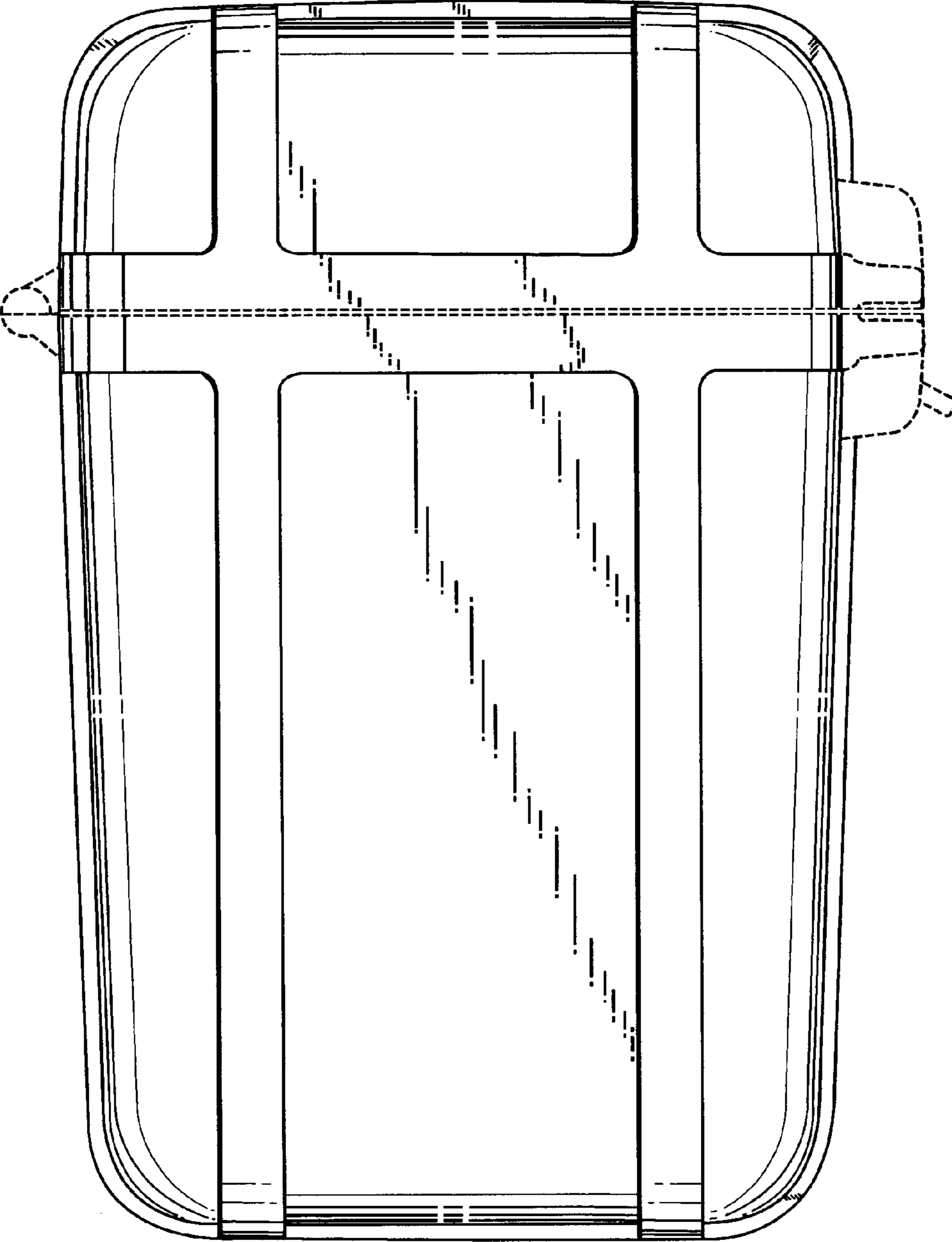


**FIGURE 3**

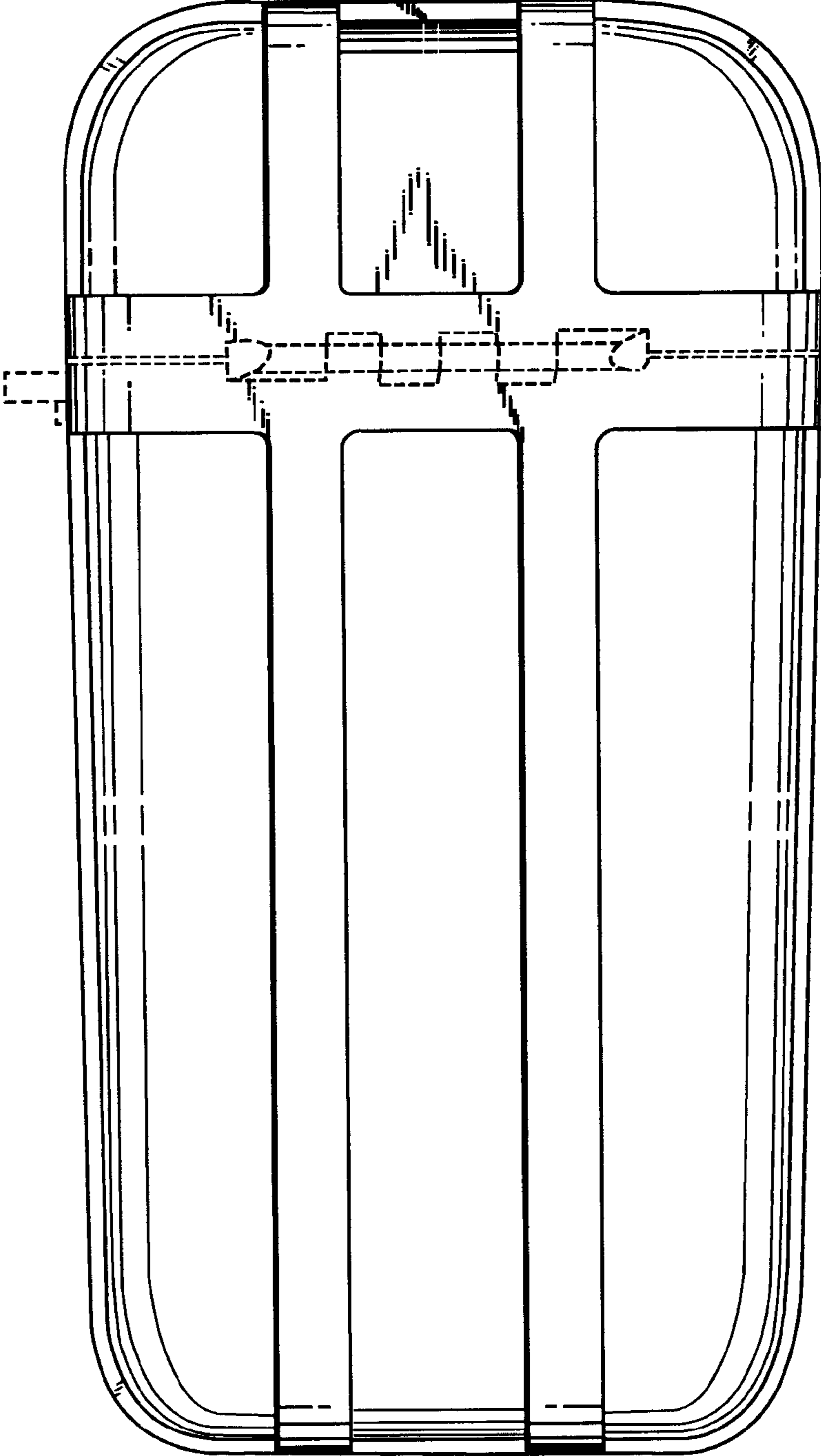




**FIGURE 4**

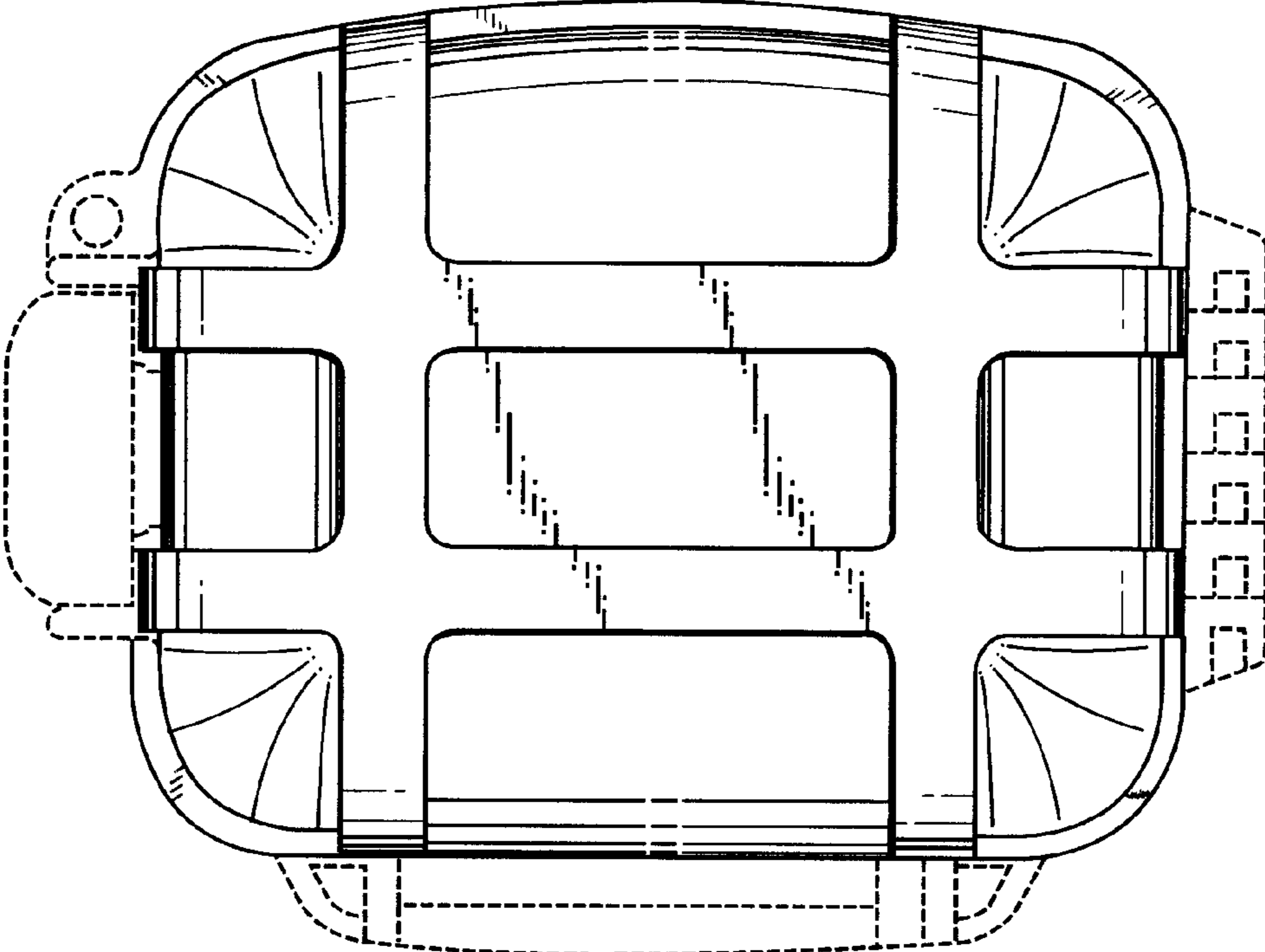


**FIGURE 5**



**FIGURE 6**





**FIGURE 7**