



US00D513446S

(12) **United States Design Patent**  
**Nadell et al.**

(10) **Patent No.:** **US D513,446 S**  
(45) **Date of Patent:** **\*\* Jan. 10, 2006**

(54) **BIB HOLDER**

5,675,841 A \* 10/1997 Jackson ..... 2/175.7  
D399,986 S \* 10/1998 Schultheis ..... D2/624

(76) Inventors: **Joanne Nadell**, 20 Nottingham Rd.,  
Ocean, NJ (US) 07712; **Judy Wall**, 20  
Nottingham Rd., Ocean, NJ (US) 07712

\* cited by examiner

(\*\*) Term: **14 Years**

*Primary Examiner*—Paula A. Greene  
(74) *Attorney, Agent, or Firm*—Madel & Peslak, LLC;  
Arthur M. Peslak

(21) Appl. No.: **29/217,388**

(57) **CLAIM**

(22) Filed: **Nov. 16, 2004**

What is claimed is the ornamental design for a bib holder, as  
shown and described.

(51) **LOC (8) Cl.** ..... **02-07**

(52) **U.S. Cl.** ..... **D2/624**

(58) **Field of Classification Search** ..... D2/860–864,  
D2/605, 608, 624, 893; D7/643; 30/150;  
2/48, 49.1, 9, 144, 46, 52, 175.7; D3/215  
See application file for complete search history.

**DESCRIPTION**

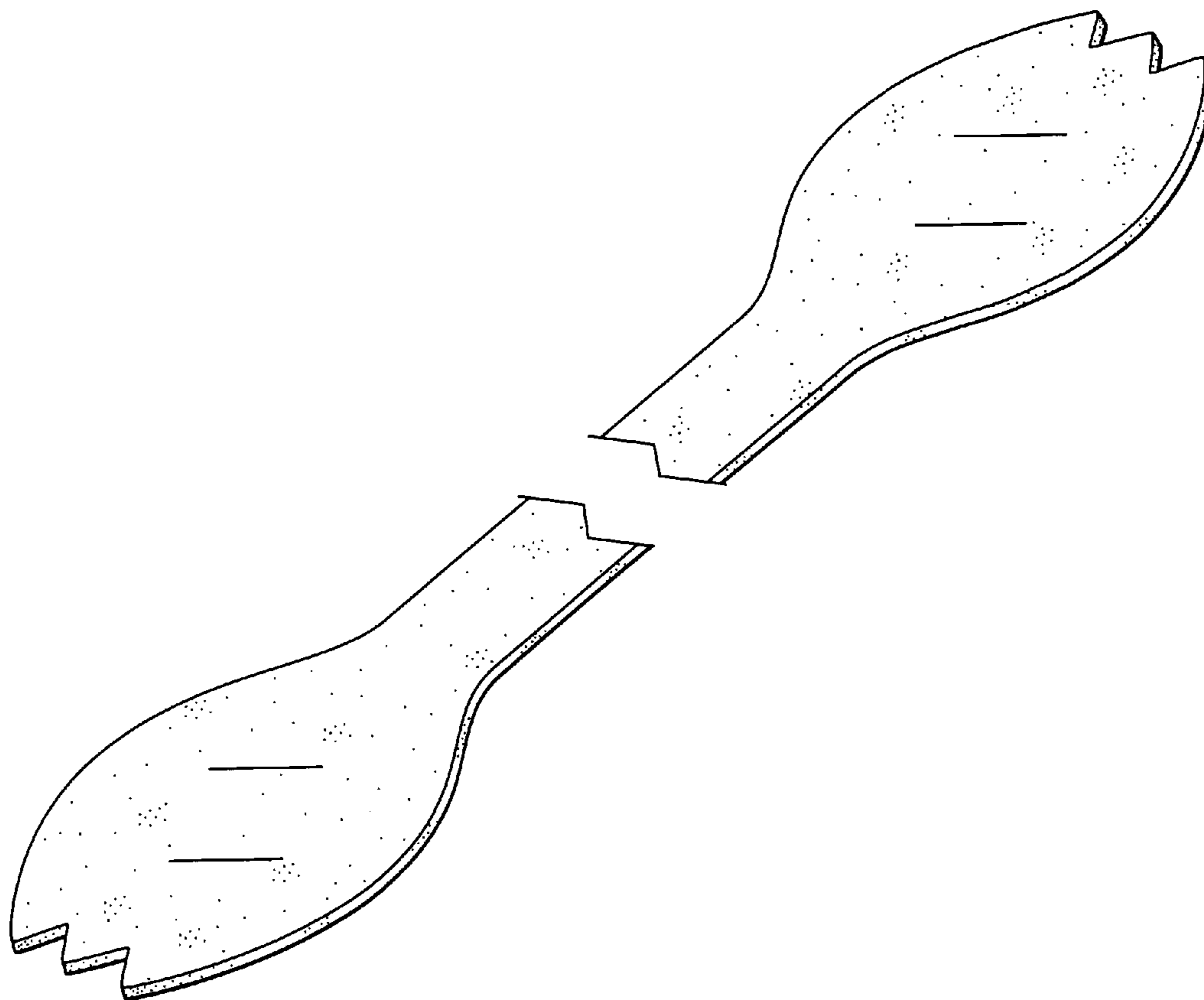
FIG. 1 is a front perspective view of a bib holder showing  
our new design the bib holder is drawn broken away for  
indeterminate length;  
FIG. 2 is a rear elevational view thereof;  
FIG. 3 is a side elevational view thereof the opposite side is  
a mirror image;  
FIG. 4 is a top plan view thereof; and,  
FIG. 5 is a front elevational view, the broken lines are for  
illustrative purposes only and form no part of the claimed  
design.

(56) **References Cited**

**U.S. PATENT DOCUMENTS**

2,865,069 A \* 12/1958 Gamble ..... 24/9  
3,010,110 A \* 11/1961 Kirk ..... 2/49.1  
D199,630 S \* 11/1964 Dedic ..... D7/643  
D231,959 S \* 7/1974 Shah ..... D2/605  
D292,543 S \* 11/1987 Smith ..... D3/215

**1 Claim, 4 Drawing Sheets**



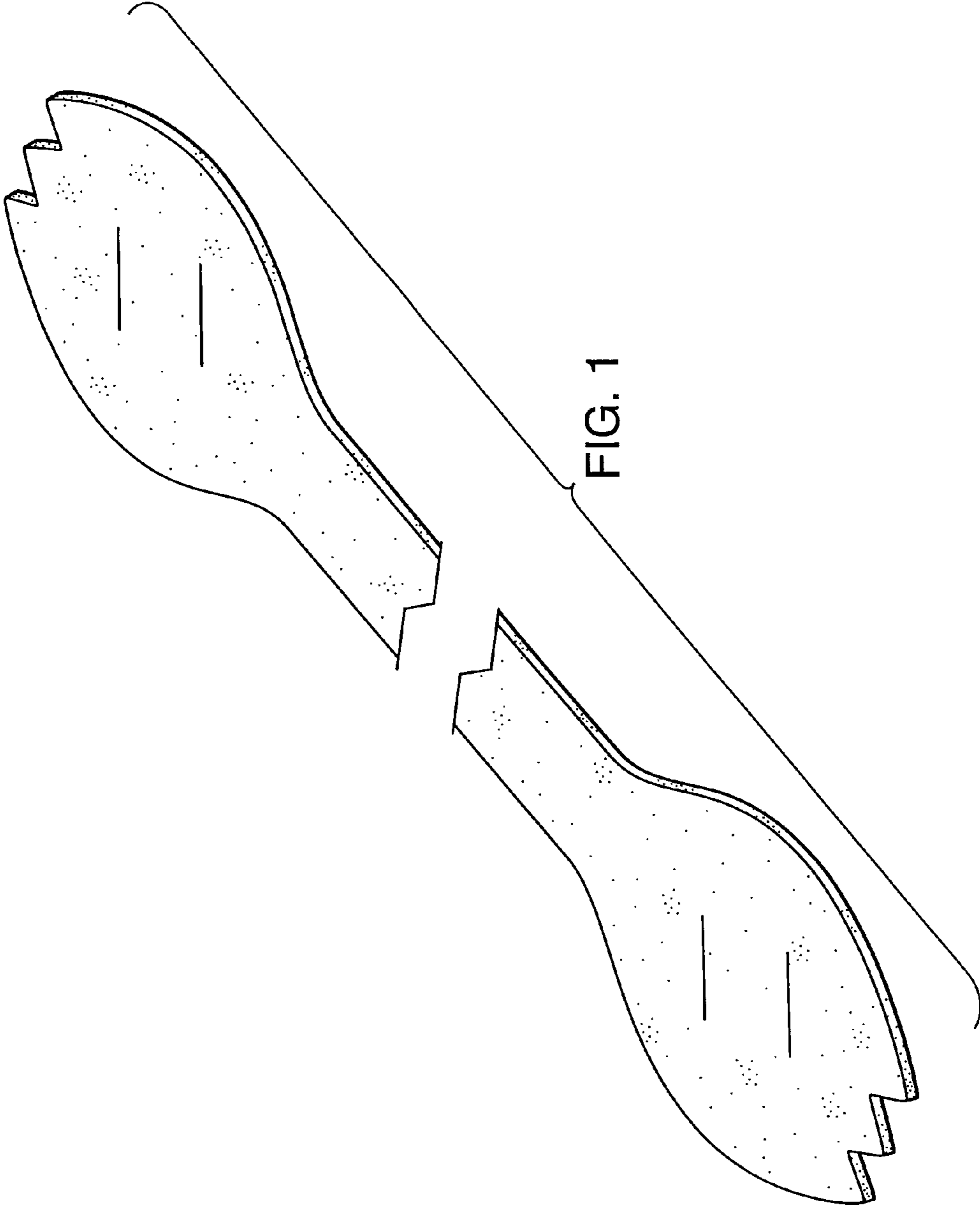
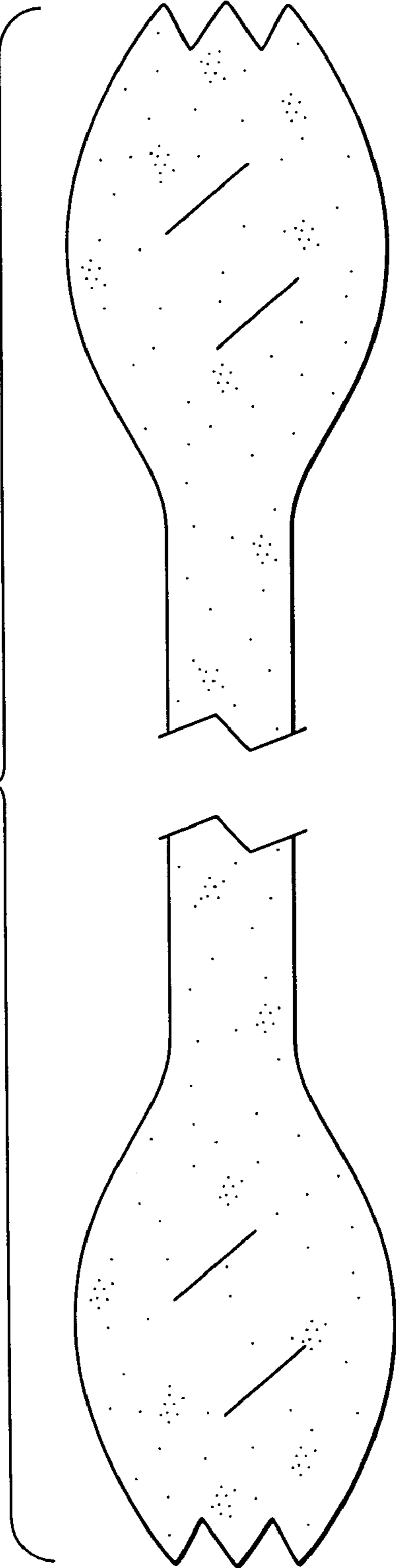


FIG. 1

FIG. 2



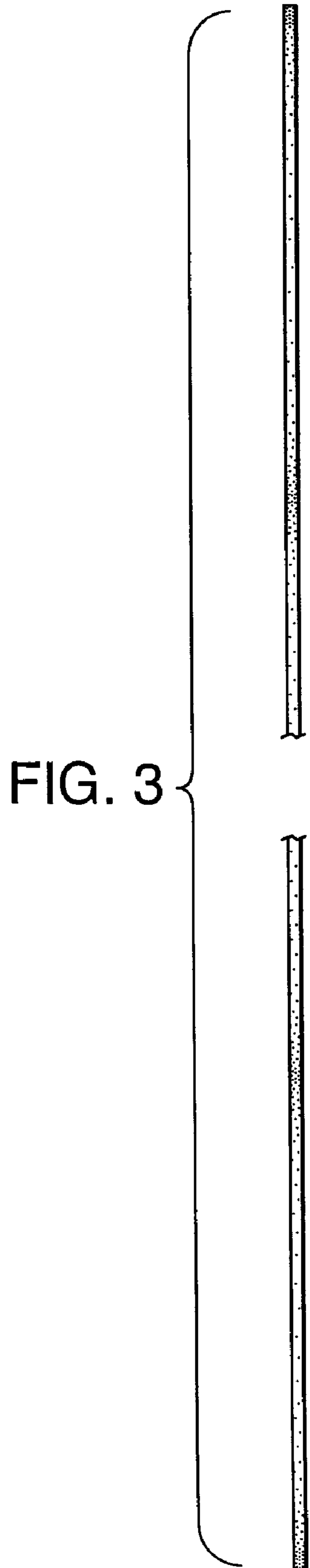


FIG. 3



FIG. 4

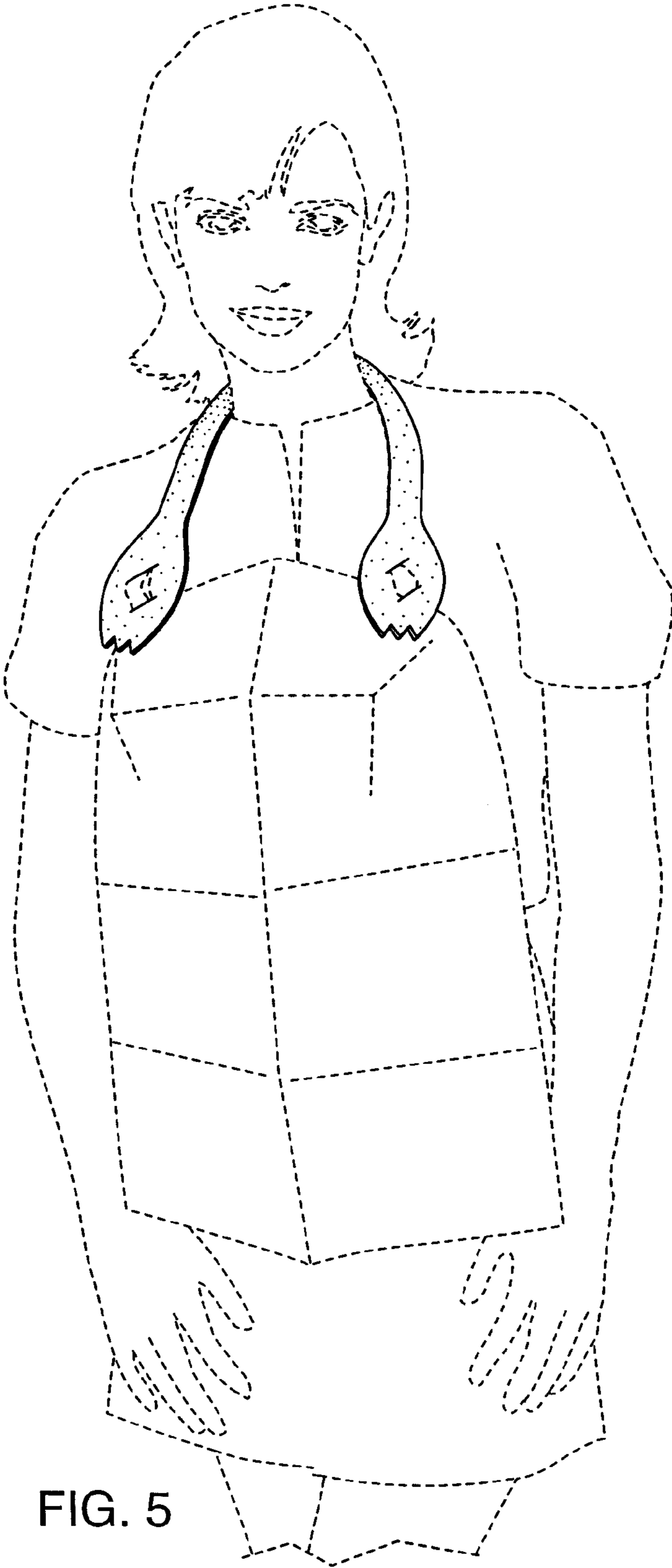


FIG. 5