



US00D513443S

(12) **United States Design Patent**
Ng

(10) **Patent No.:** **US D513,443 S**
(45) **Date of Patent:** **** Jan. 3, 2006**

(54) **BATH WAND**

(75) **Inventor:** **Justin Chi Gong Ng, Kowloon (CN)**

(73) **Assignee:** **Cosmopack Limited, Kowloon (CN)**

(**) **Term:** **14 Years**

(21) **Appl. No.:** **29/210,382**

(22) **Filed:** **Jul. 30, 2004**

(51) **LOC (8) Cl.** **28-03**

(52) **U.S. Cl.** **D28/63; D28/7; D32/45**

(58) **Field of Classification Search** D4/144,
D4/124, 127, 137, 138; D28/7, 63; D32/40,
D32/43, 45, 51; 15/209.1, 210.1, 244.1; 401/183-185,
401/196, 205, 207, 261, 264, 266, 274, 6,
401/282, 283, 290, 291; 132/317, 320
See application file for complete search history.

(56) **References Cited**

U.S. PATENT DOCUMENTS

D387,704 S * 12/1997 Berti D4/114
D424,747 S * 5/2000 Chen D28/63

D438,014 S * 2/2001 Kroehl D4/127
D446,898 S * 8/2001 Brewer et al. D32/45
D452,080 S * 12/2001 Petner D4/114

* cited by examiner

Primary Examiner—Alan P. Douglas

Assistant Examiner—Lavone D. Tabor

(74) *Attorney, Agent, or Firm*—Alix, Yale & Ristas, LLP

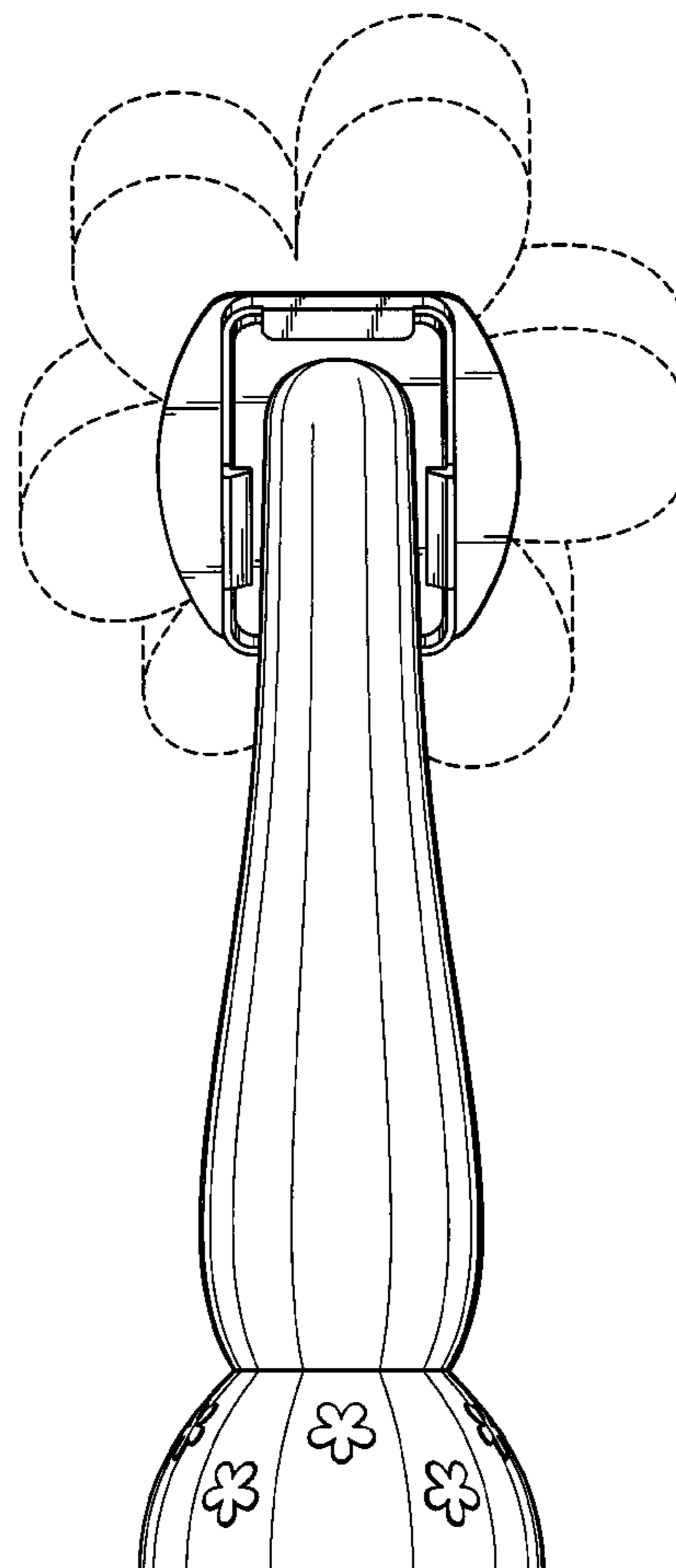
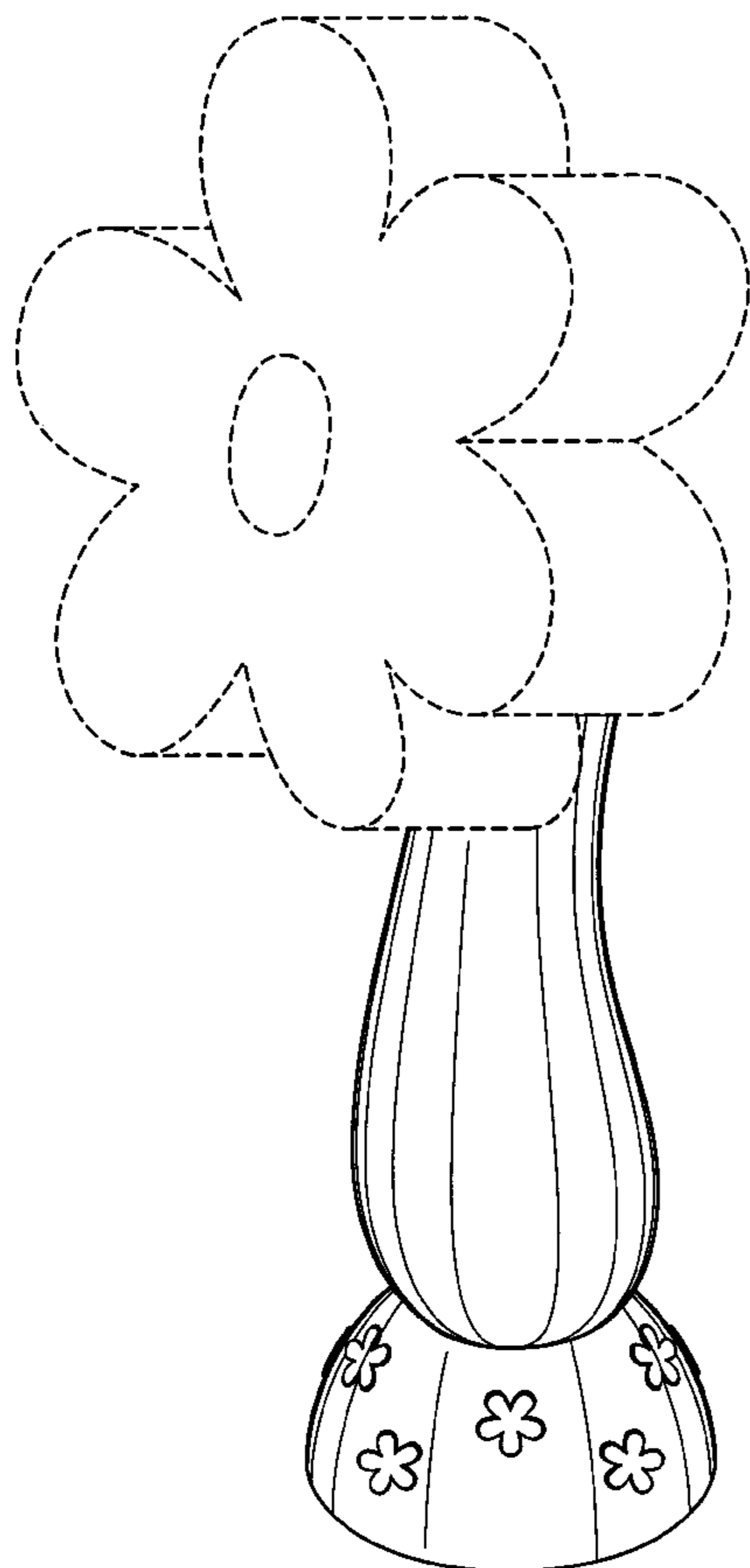
(57) **CLAIM**

The ornamental design for a bath wand, as shown and described.

DESCRIPTION

FIG. 1 is a front perspective view of the bath wand showing my new design, portions shown in broken lines;
FIG. 2 is a front view of the bath wand of FIG. 1;
FIG. 3 is a left side view of the bath wand of FIG. 1;
FIG. 4 is a right side view of the bath wand of FIG. 1;
FIG. 5 is a rear view of the bath wand of FIG. 1;
FIG. 6 is a top plan view of the bath wand of FIG. 1; and,
FIG. 7 is a bottom plan view of the bath wand of FIG. 1.
No claim is made to the portions shown in broken lines.

1 Claim, 4 Drawing Sheets



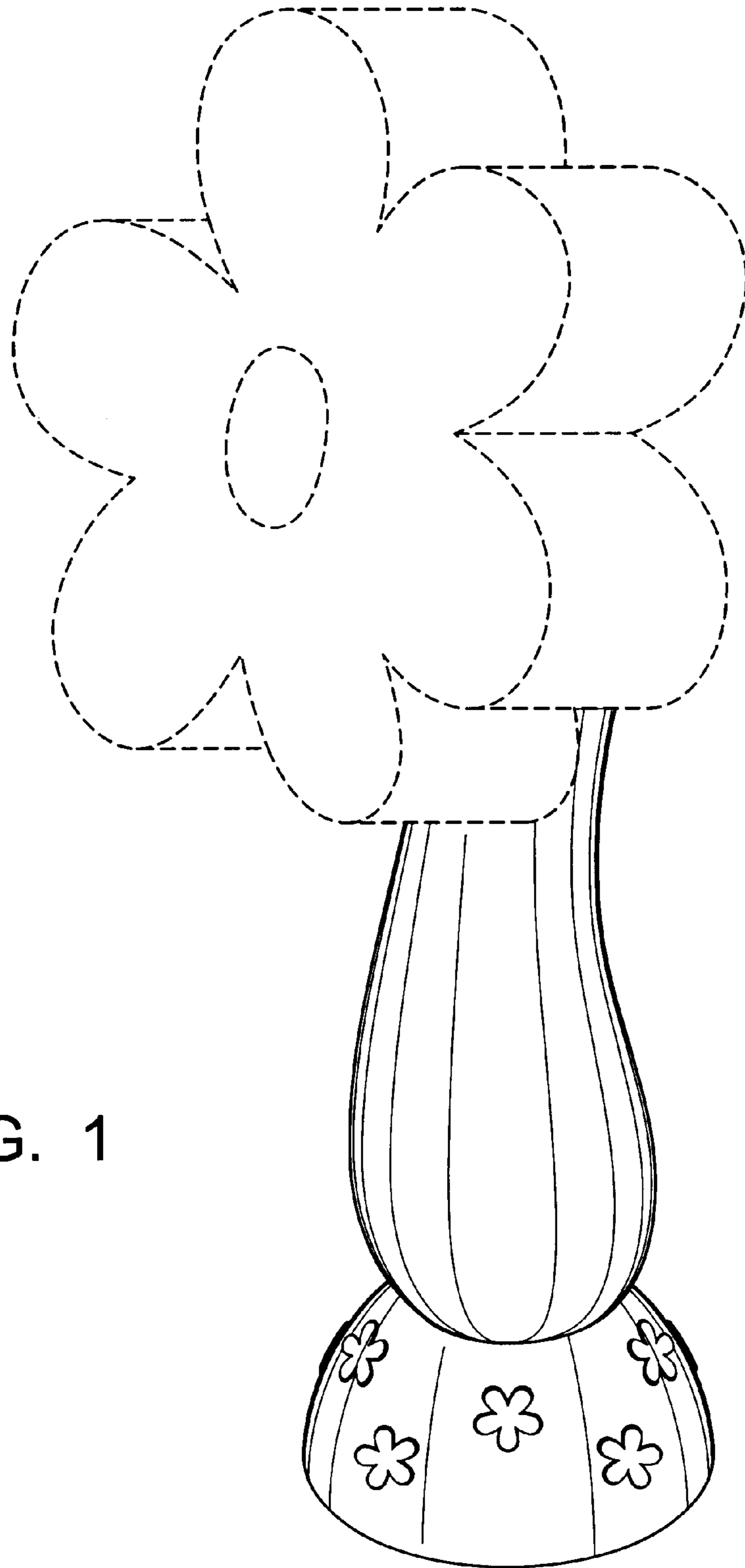


FIG. 1

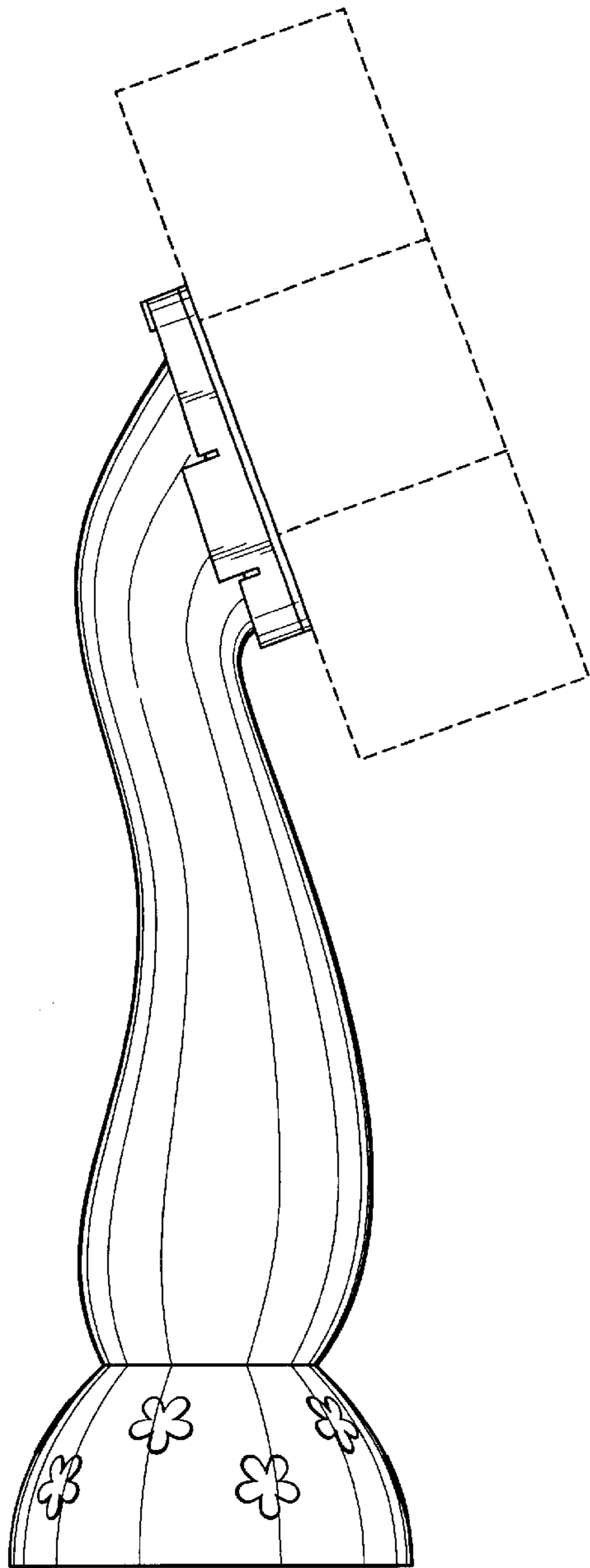


FIG. 3

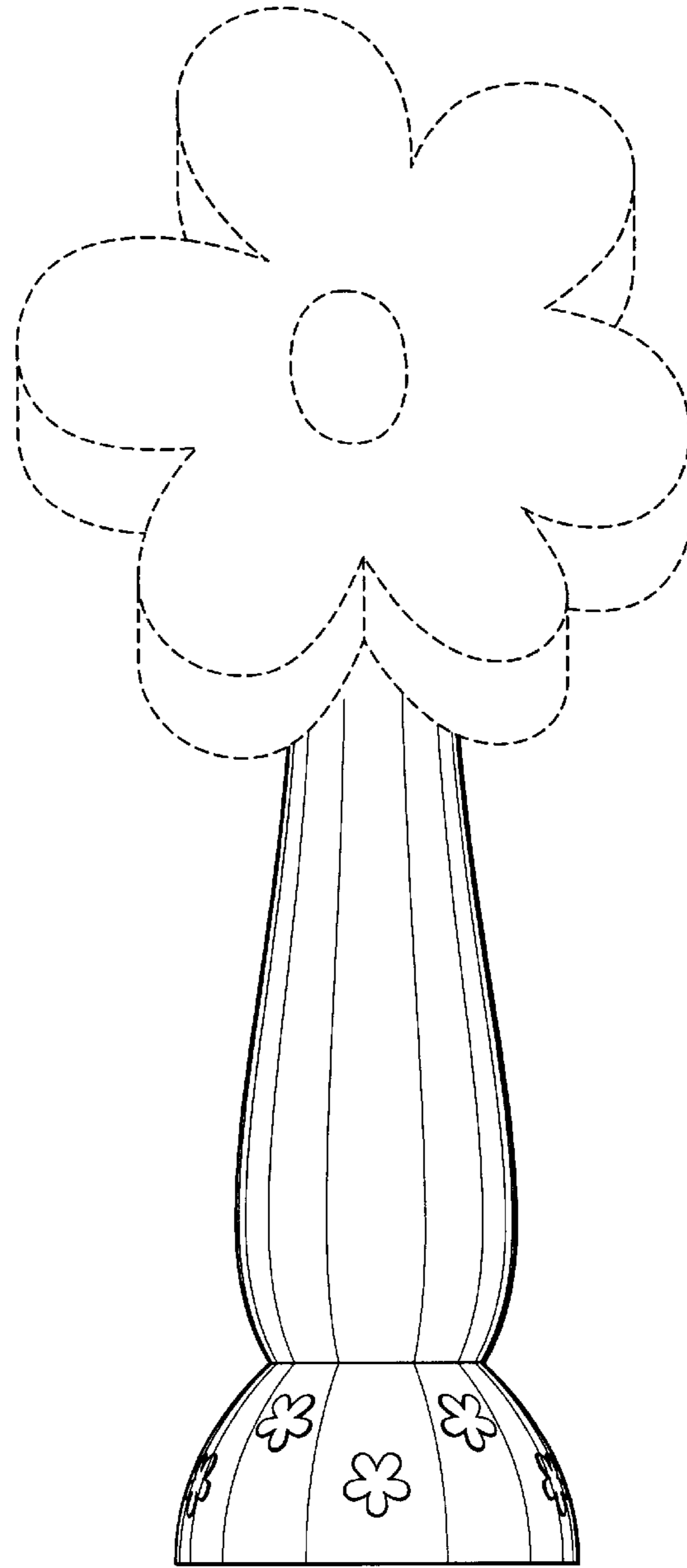


FIG. 2

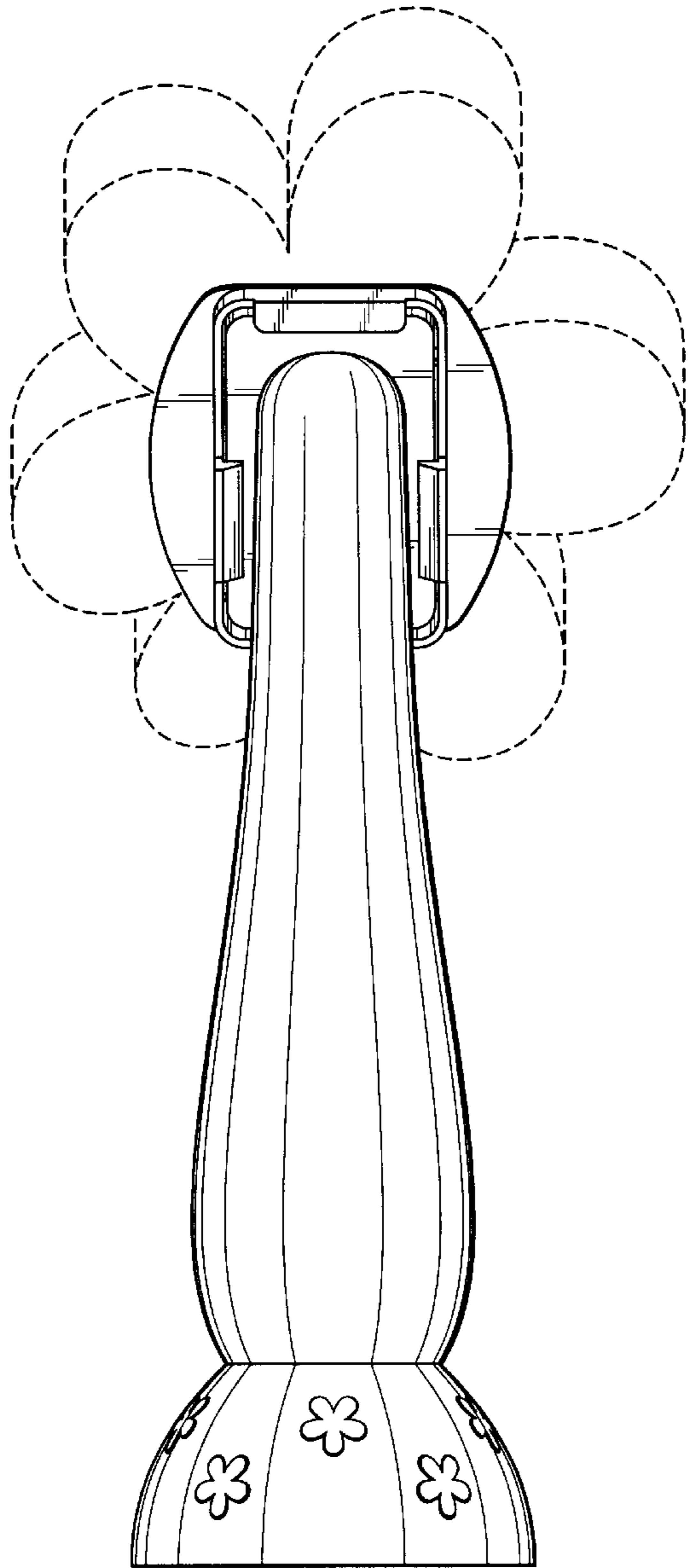


FIG. 5

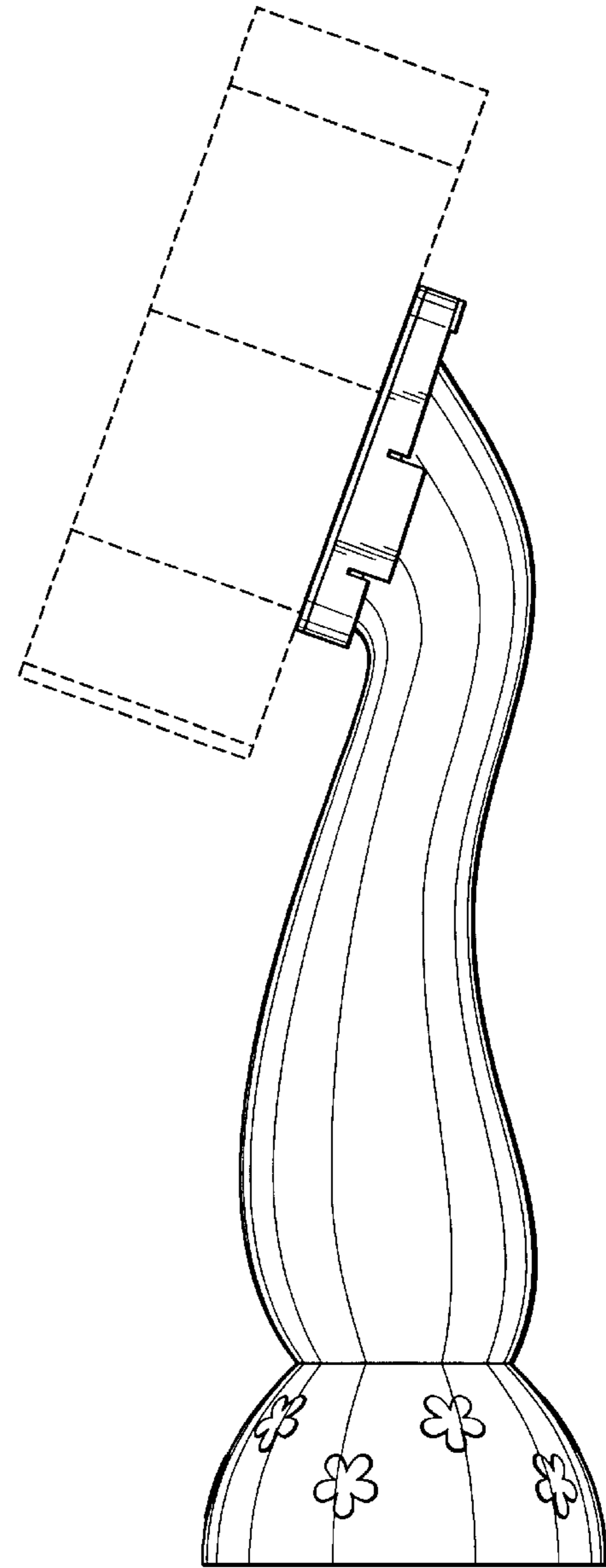


FIG. 4

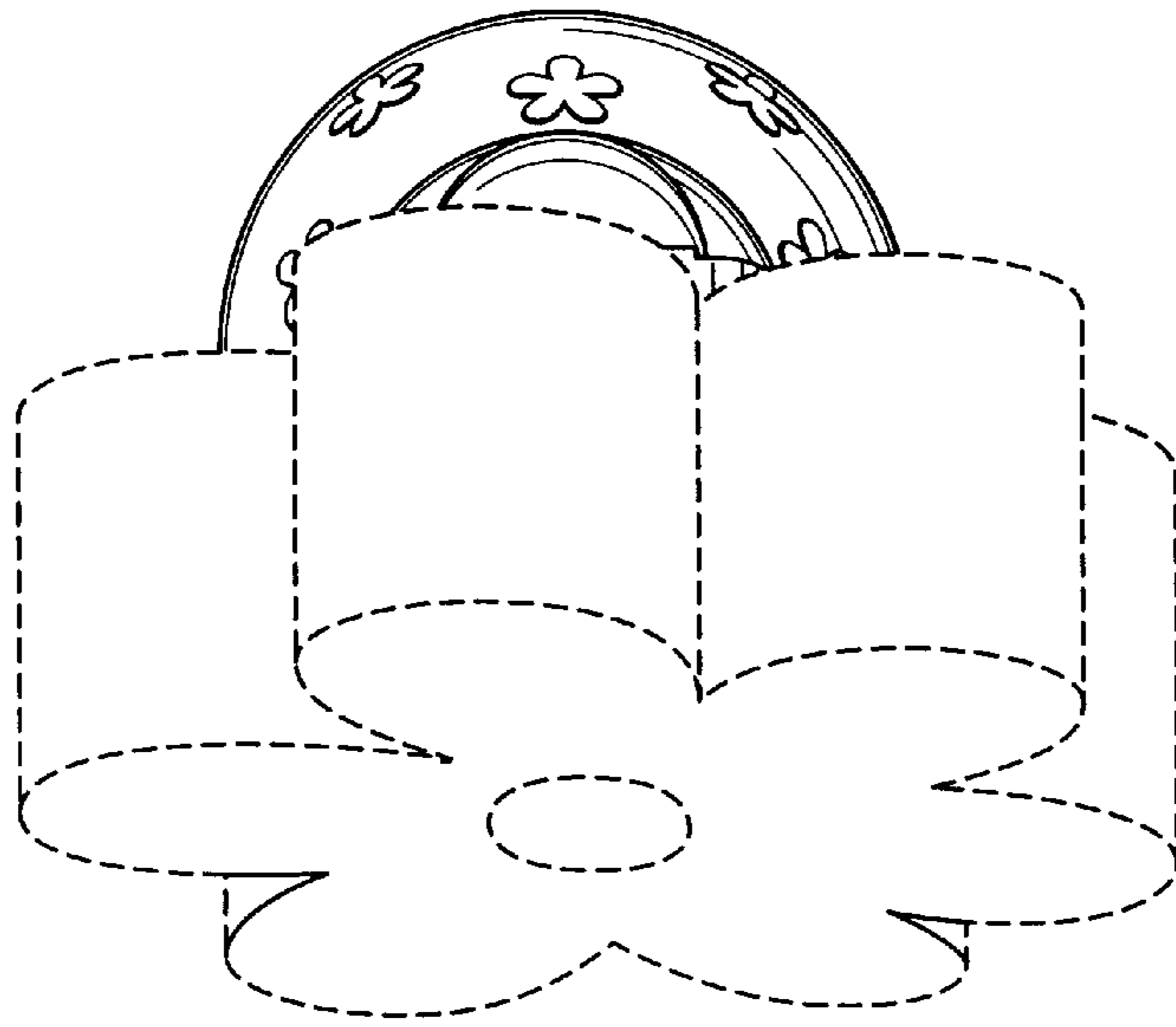


FIG. 6

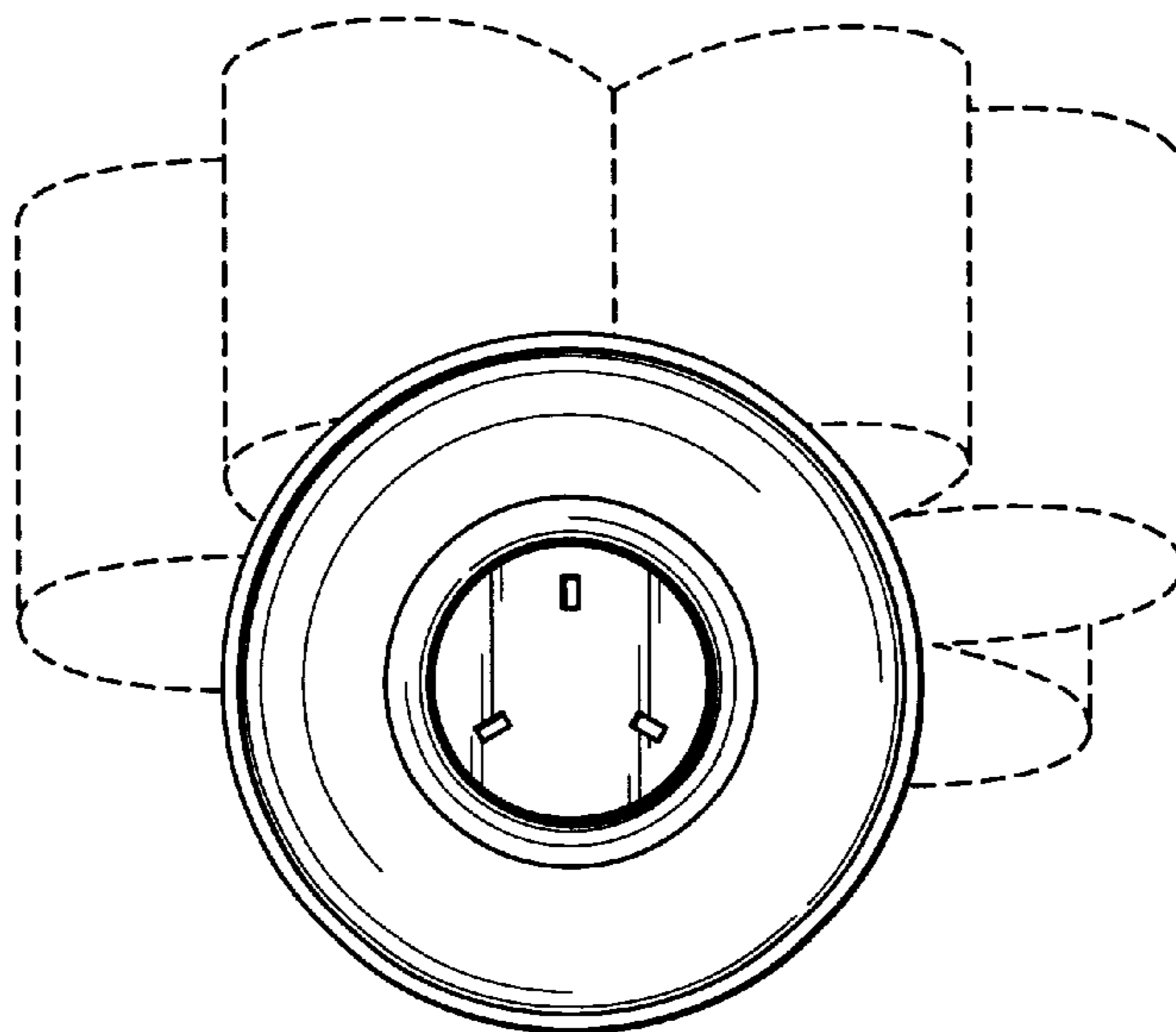


FIG. 7