



US00D513442S

(12) **United States Design Patent**
Miyazaki et al.

(10) **Patent No.:** **US D513,442 S**
(45) **Date of Patent:** **** Jan. 3, 2006**

(54) **HOLDER FOR A SAFETY RAZOR**

(75) Inventors: **Hiroaki Miyazaki, Seki (JP); Takahiro Takeshita, Seki (JP)**

(73) Assignee: **Kai R & D Center Co., Ltd., Gifu (JP)**

(**) Term: **14 Years**

(21) Appl. No.: **29/206,605**

(22) Filed: **Jun. 1, 2004**

(30) **Foreign Application Priority Data**

Dec. 2, 2003 (JP) 2003-035810

(51) **LOC (8) Cl.** **28-03**

(52) **U.S. Cl.** **D28/48**

(58) **Field of Classification Search** D28/44,
D28/44.1, 45, 46, 47, 48; 30/32, 34.05, 34.1,
30/34.2, 47, 48, 50, 51, 57, 526, 527, 528,
30/532, 85, 41

See application file for complete search history.

(56) **References Cited**

U.S. PATENT DOCUMENTS

D230,221 S * 1/1974 Glaberson et al. D28/48
D230,222 S * 1/1974 Glaberson et al. D28/48
D279,613 S * 7/1985 Hannemann D28/48

D311,971 S * 11/1990 Faerber D28/46
D403,114 S * 12/1998 Shurtleff D28/48
D416,646 S * 11/1999 Pinchuk D28/48
D446,884 S * 8/2001 Kohring et al. D28/48
D482,161 S * 11/2003 Yamagishi et al. D28/48
D491,690 S * 6/2004 Yamashita D28/48

* cited by examiner

Primary Examiner—Jennifer Rivard

(74) *Attorney, Agent, or Firm*—Koda & Androlia

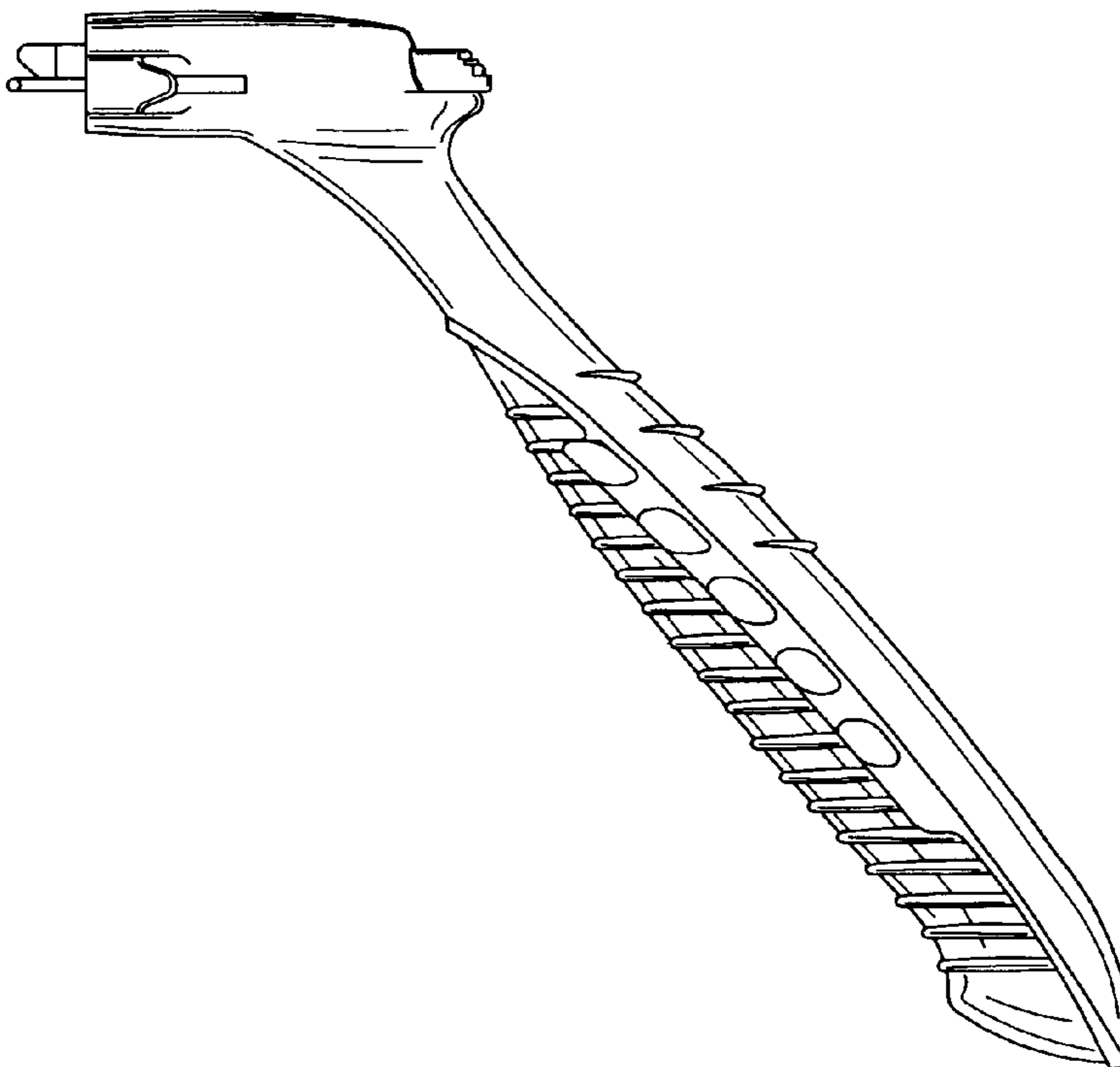
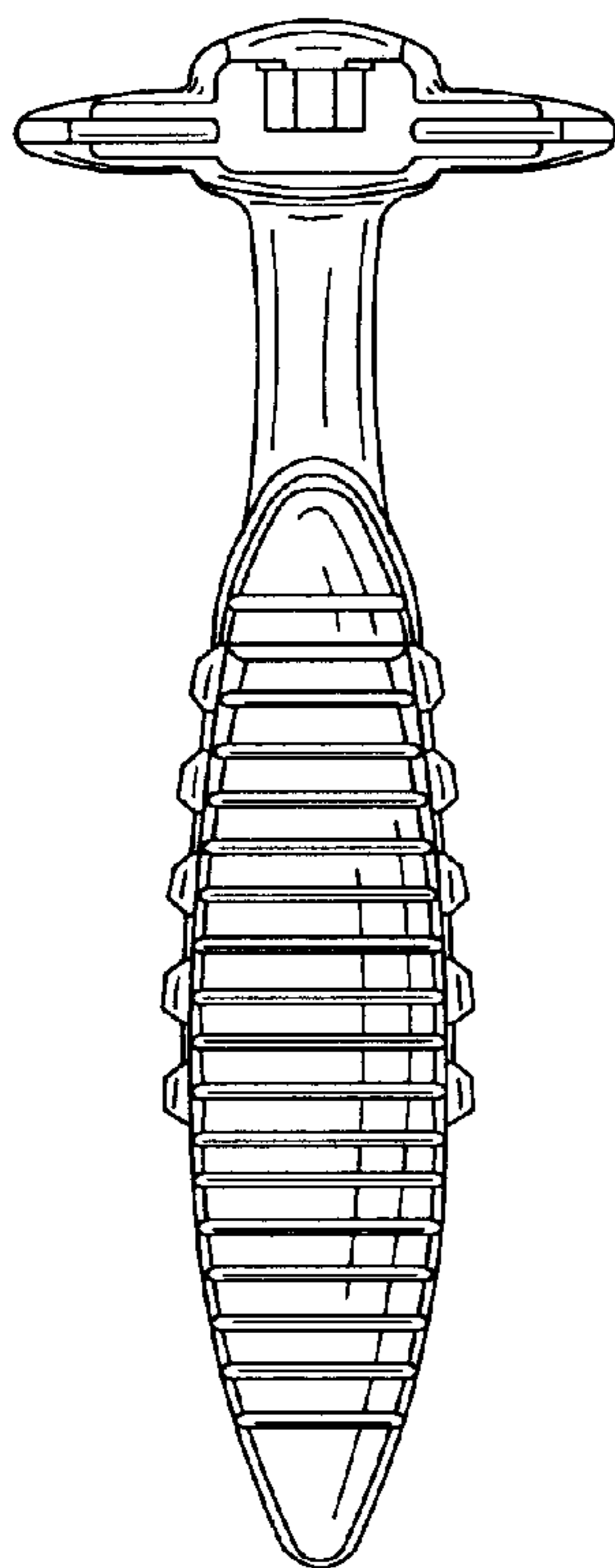
(57) **CLAIM**

The ornamental design for a holder for a safety razor, as shown and described.

DESCRIPTION

FIG. 1 is a front elevational view of the holder for a safety razor showing our new design;
FIG. 2 is a rear elevational view thereof;
FIG. 3 is a top plan view thereof;
FIG. 4 is a bottom plan view thereof;
FIG. 5 is a right side elevational view thereof, the left side elevational view being the mirror image of the right side elevational view;
FIG. 6 is a front perspective view thereof; and,
FIG. 7 is a rear perspective view thereof.

1 Claim, 4 Drawing Sheets



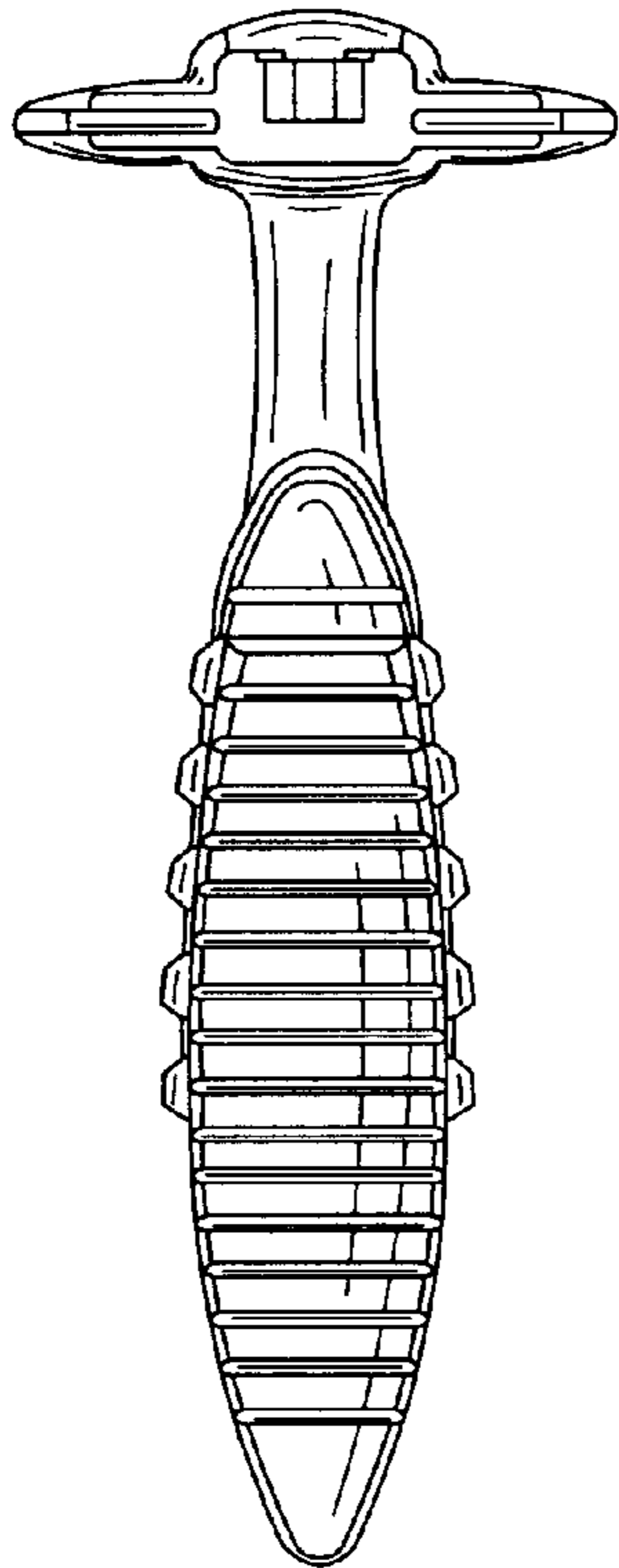


FIG. 1

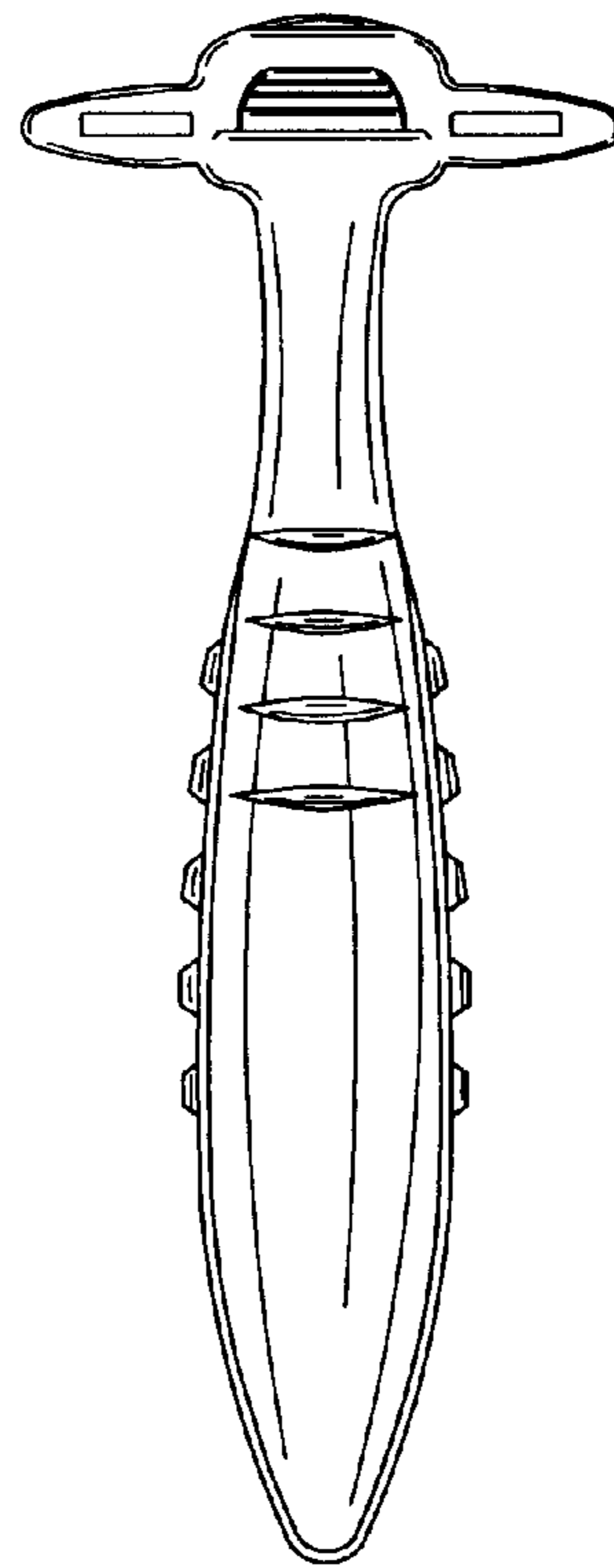


FIG. 2

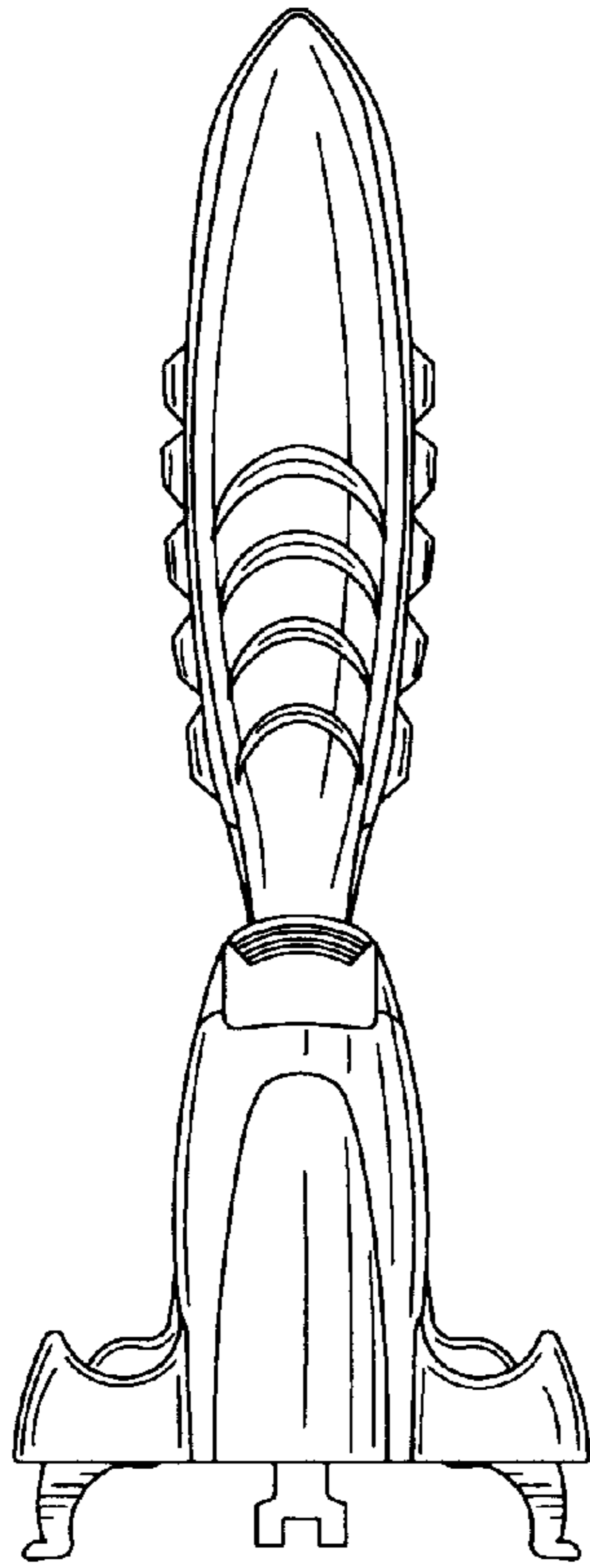


FIG. 3

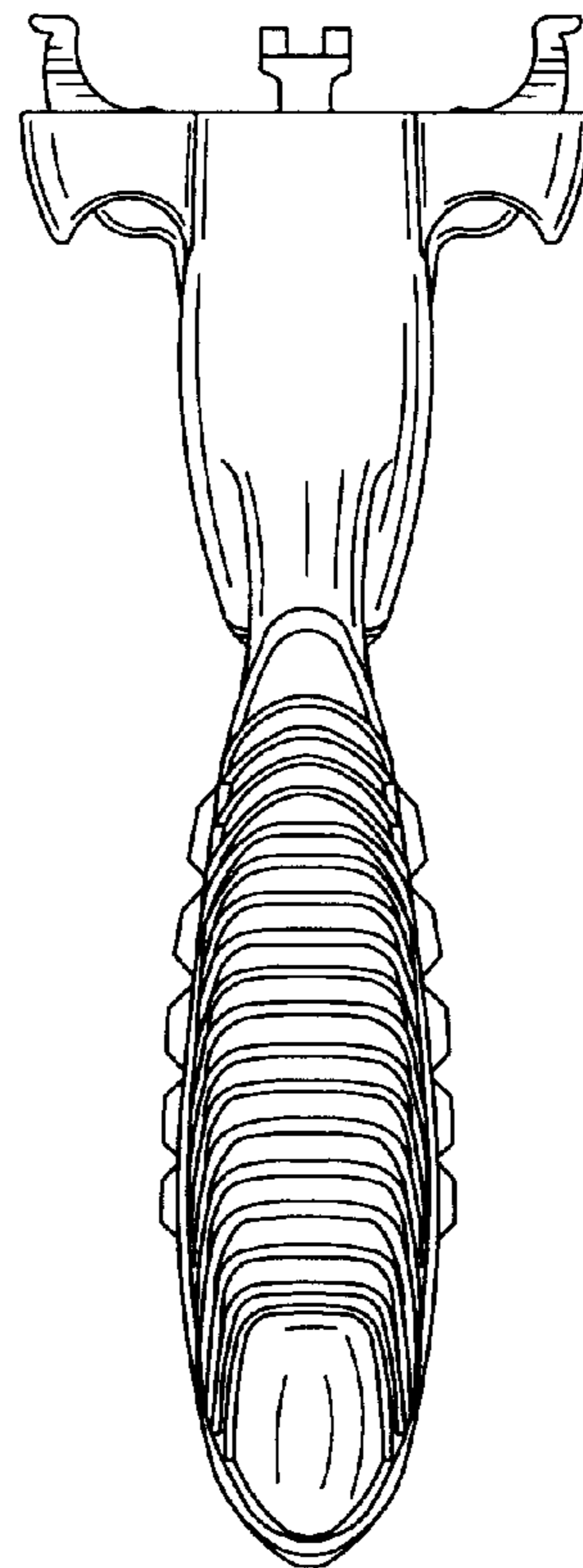


FIG. 4

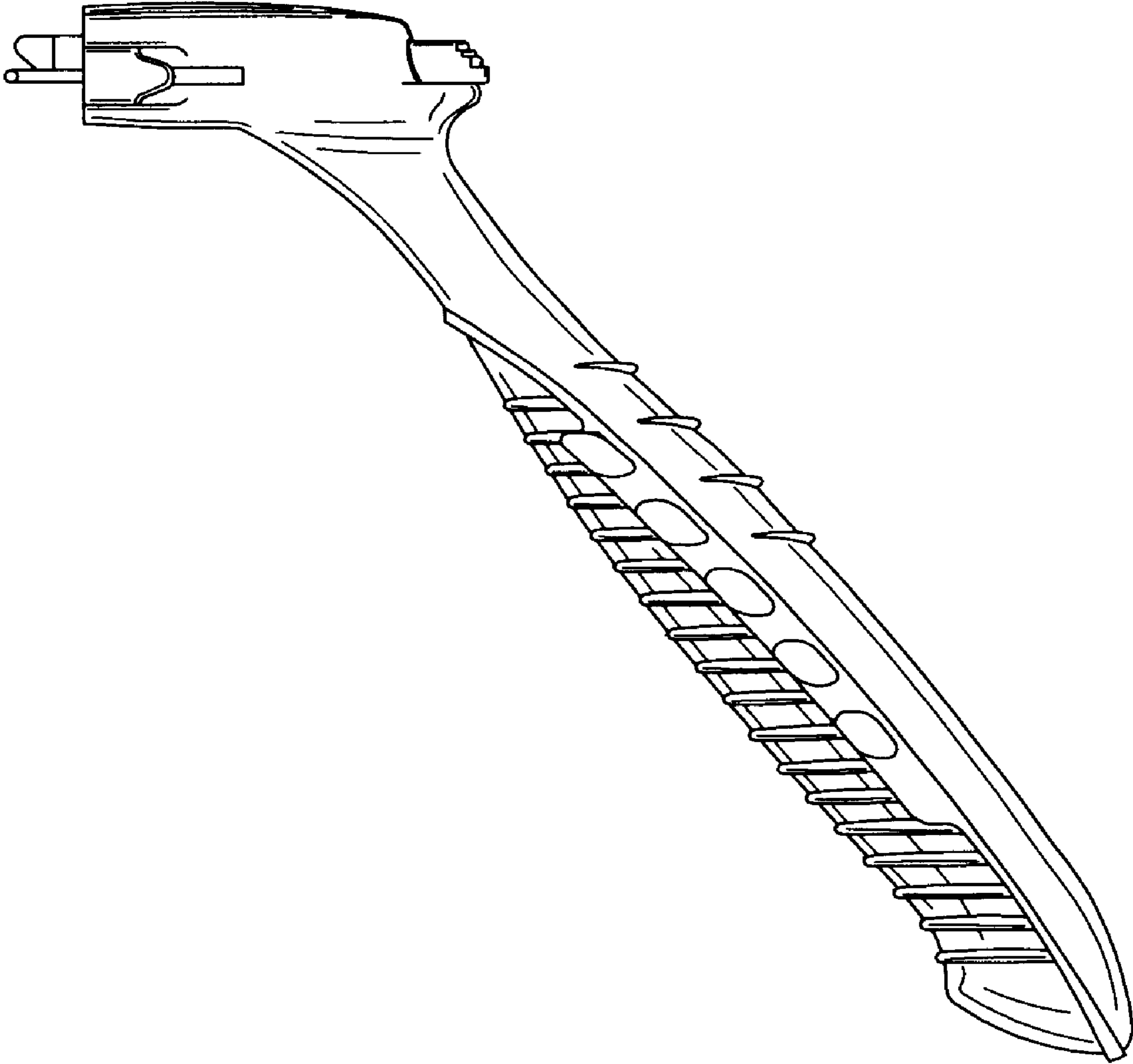


FIG. 5

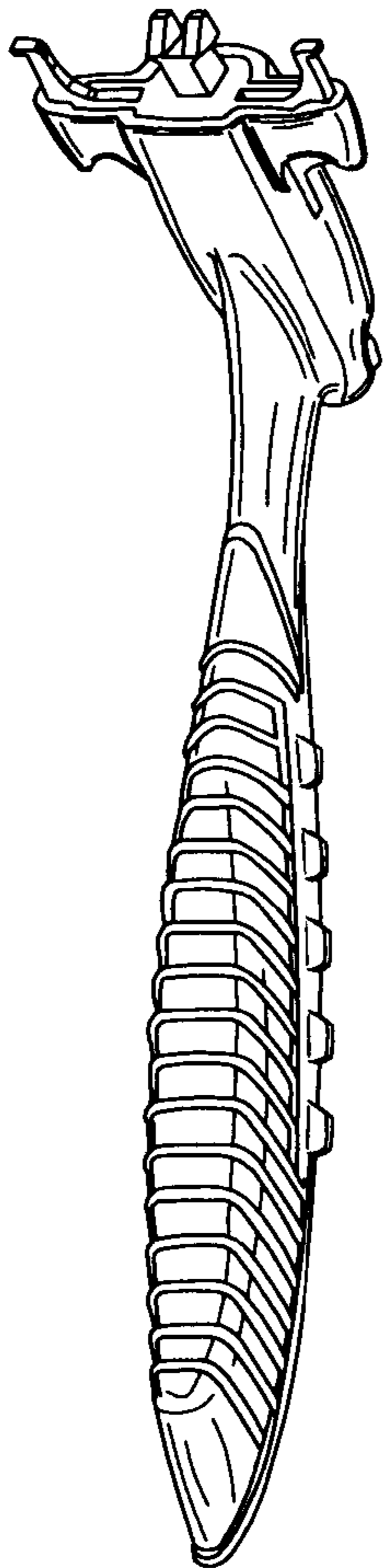


FIG. 6

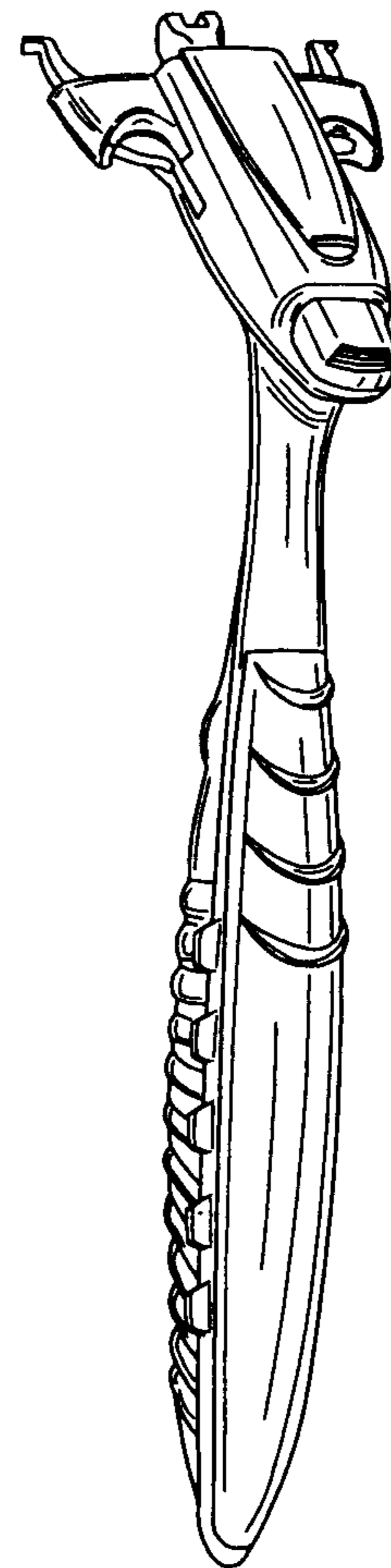


FIG. 7