



US00D513441S

(12) **United States Design Patent**
De'Armond

(10) **Patent No.:** **US D513,441 S**
(45) **Date of Patent:** **** Jan. 3, 2006**

(54) **PORTION OF LAMP HOUSING**

(75) **Inventor:** **Robert De'Armond**, Temecula, CA (US)

(73) **Assignee:** **Minka Lighting, Inc.**, Corona, CA (US)

(**) **Term:** **14 Years**

(21) **Appl. No.:** **29/218,276**

(22) **Filed:** **Nov. 29, 2004**

(51) **LOC (8) Cl.** **26-99**

(52) **U.S. Cl.** **D26/152; D26/153**

(58) **Field of Classification Search** D26/24,
D26/67, 71, 72, 85-92, 142, 145, 149, 152,
D26/154, 155, 118, 128-137; 362/147, 404-408,
362/432, 455, 457

See application file for complete search history.

(56) **References Cited**

U.S. PATENT DOCUMENTS

D64,559 S	*	4/1924	Pfleager	D26/152
D66,964 S	*	4/1925	Boehringer	D26/155
D74,552 S	*	2/1928	Crawford	D8/378
D86,316 S	*	2/1932	Klein	D26/88
D422,375 S	*	4/2000	Milicia	D26/88
D428,662 S	*	7/2000	Jaspers-Fayer et al.	D26/67
D438,660 S		3/2001	De'Armond et al.		
6,767,117 B2	*	7/2004	De'Armond	362/432

OTHER PUBLICATIONS

Kichler Lighting Catalog No. 104, ©2004; (2 pages) item 9417—"Londonderry" on p. 301 and item 9476—"Inv-erness—Cambridge" on p. 302.*

Progress Lighting Product Catalog No. 126 ©2004; (1 page) item P5637-86—"Gilcrest" on p. 395.*

U.S. Appl. No. 29/218,223, Robert De'Armond.

U.S. Appl. No. 29/218,224, Robert De'Armond.

U.S. Appl. No. 29/218,255, Robert De'Armond.

U.S. Appl. No. 29/218,261, Robert De'Armond.

Maxim Lighting; MAX-20402-CDOB; printed from www.lamps-lighting.com; Oct. 17, 2004; Old World Model; One Page.

The Great Outdoors 2004 Catalog by Minka-Lavery; Minka Lighting, Inc., U.S.A.; Jan. 2004; Stratford Hall Model; pp. 14-17.

The Great Outdoors 2004 Catalog by Minka-Lavery; Minka Lighting, Inc., U.S.A.; Jan. 2004; Townhouse Model; pp. 18-19.

* cited by examiner

Primary Examiner—Clare E Heflin

(74) *Attorney, Agent, or Firm*—Baker & McKenzie LLP

(57) **CLAIM**

The ornamental design for a portion of lamp housing, as shown and described.

DESCRIPTION

FIG. 1 is a perspective view from above of a portion of lamp housing in accordance with my design;

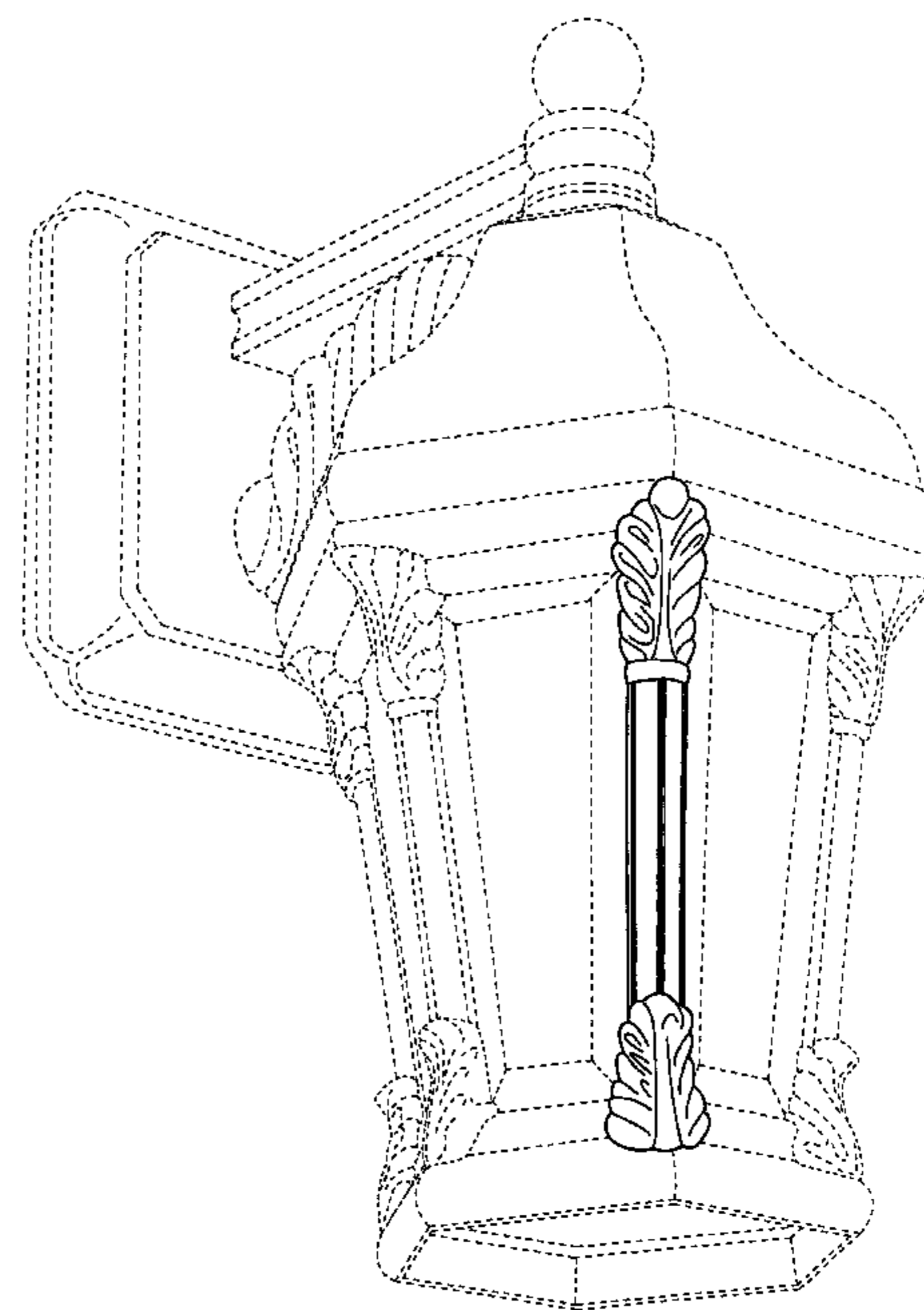
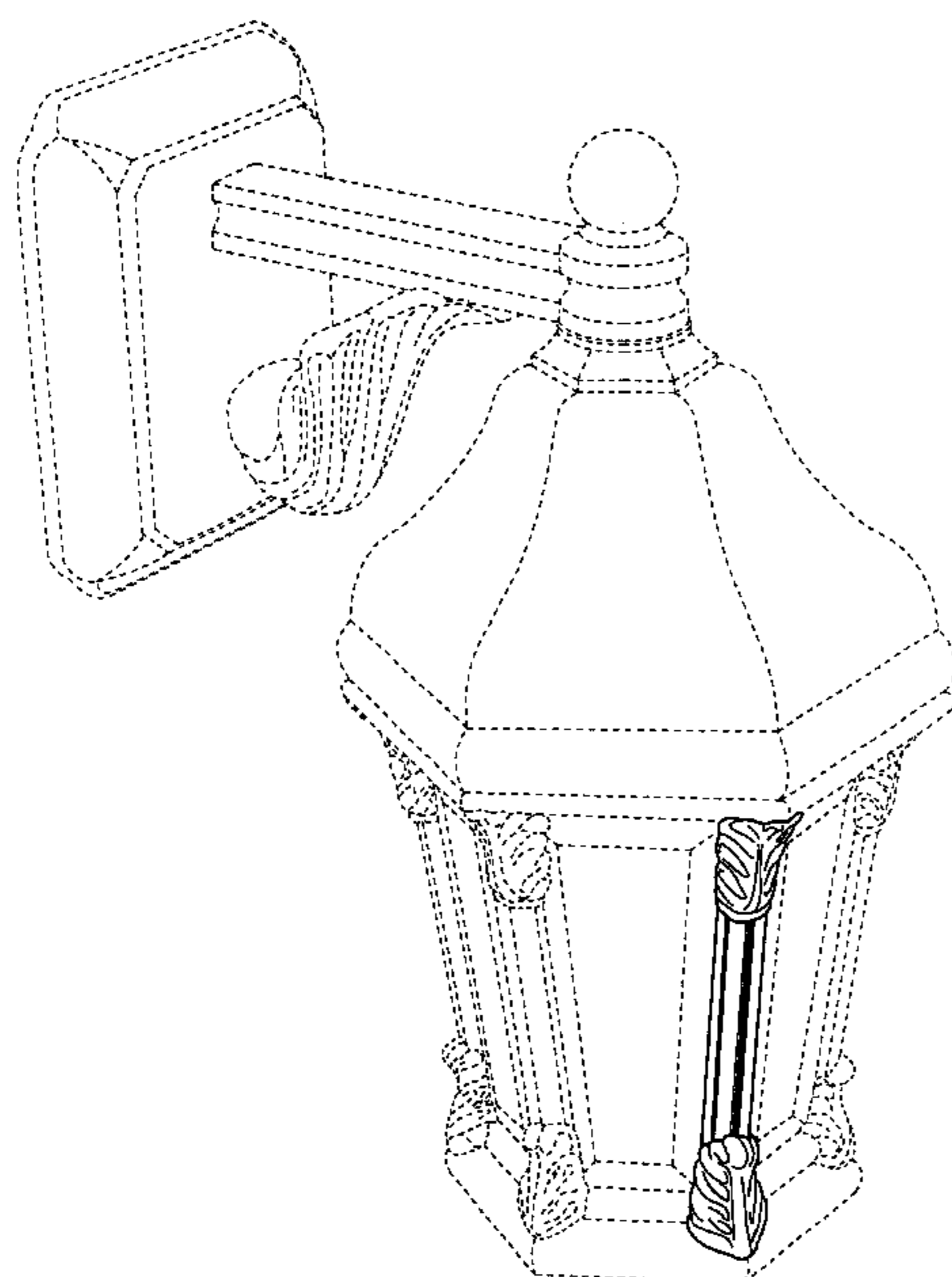
FIG. 2 is a perspective view from below of the portion of lamp housing in accordance with my design;

FIG. 3 is a side elevation view of the portion of lamp housing in accordance with my design; and,

FIG. 4 is a front elevation view of the portion of lamp housing in accordance with my design.

The broken lines showing environmental structure are for illustrative purposes and form no part of the claimed design.

1 Claim, 4 Drawing Sheets



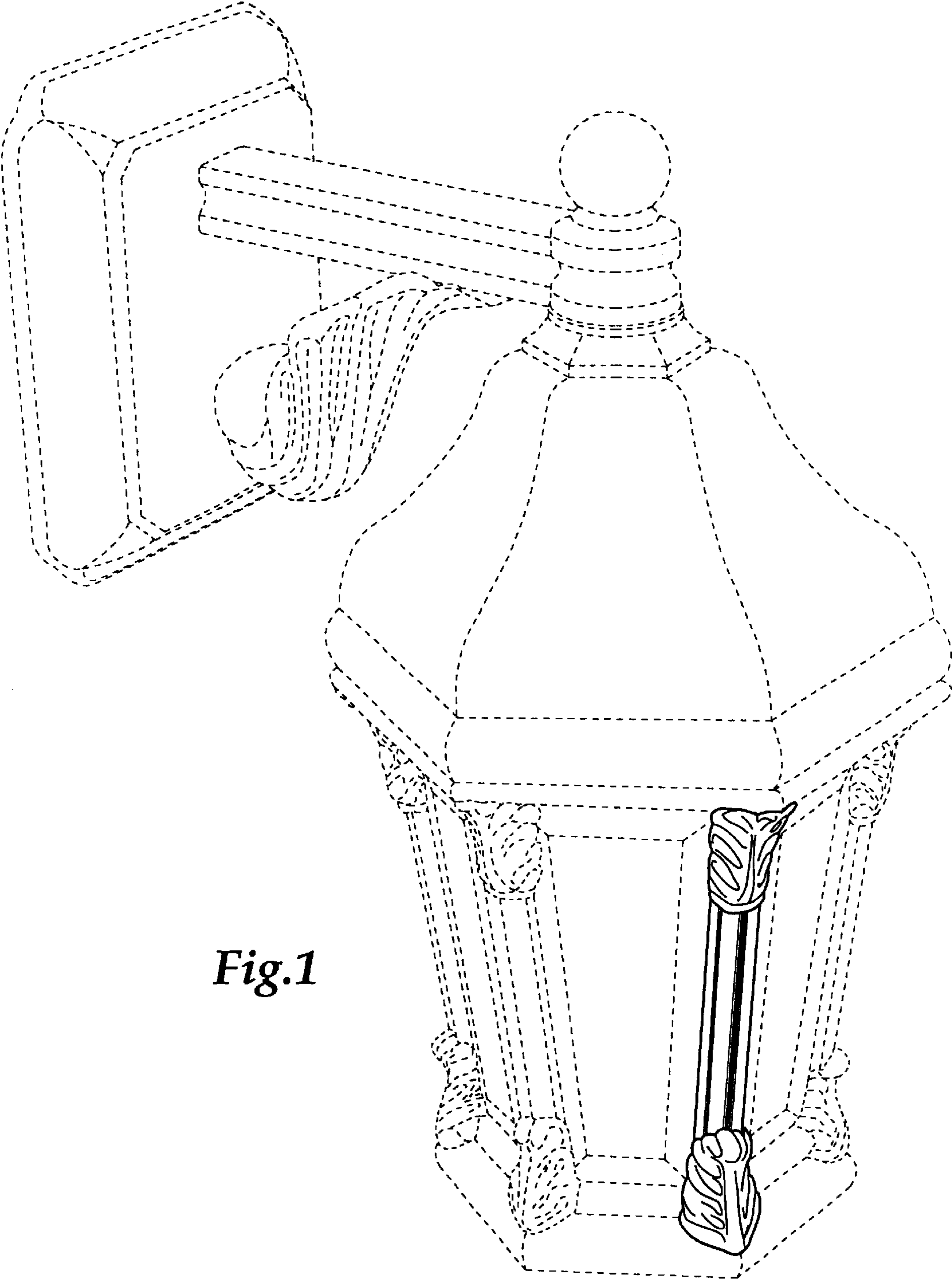


Fig.1

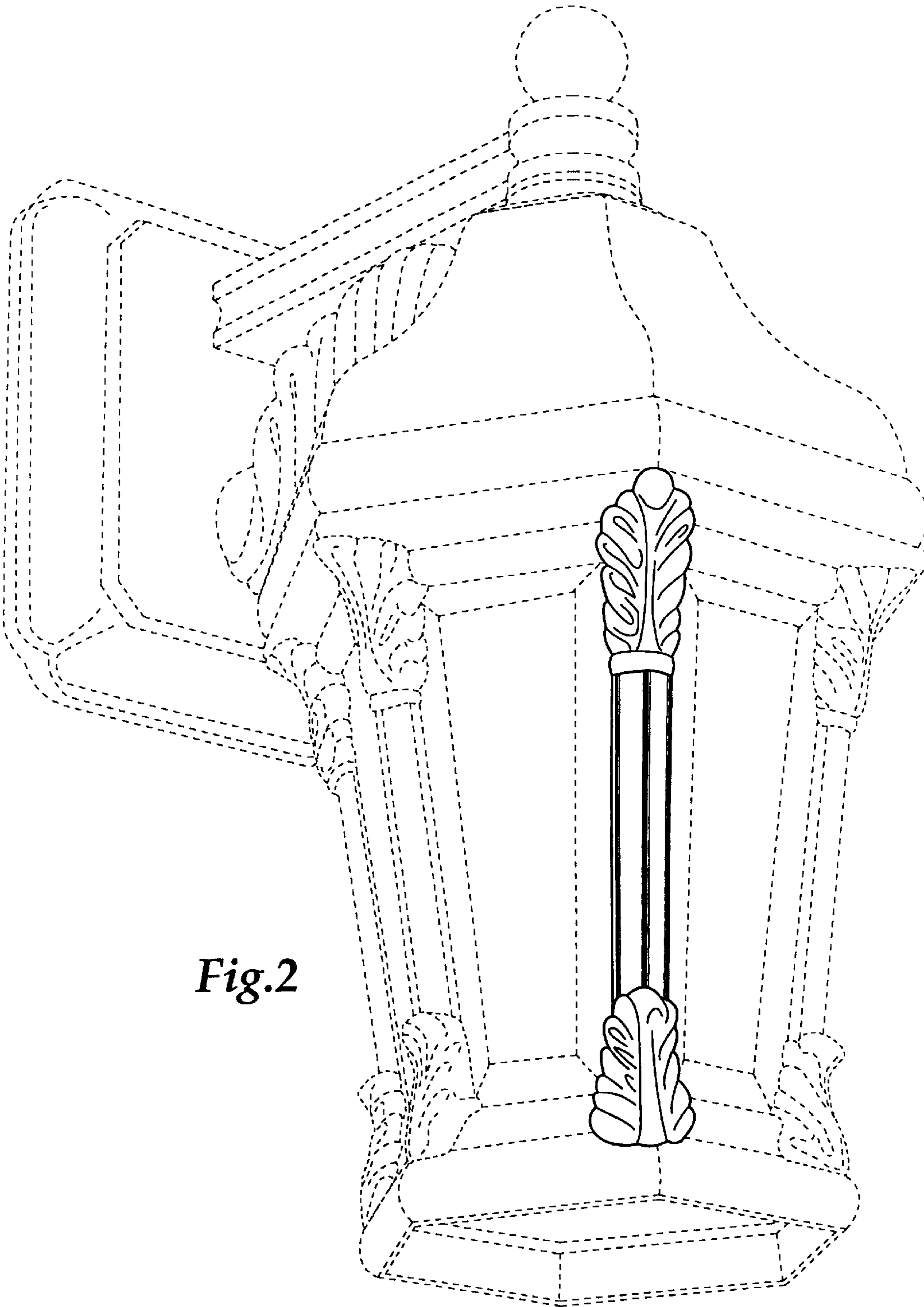


Fig. 2

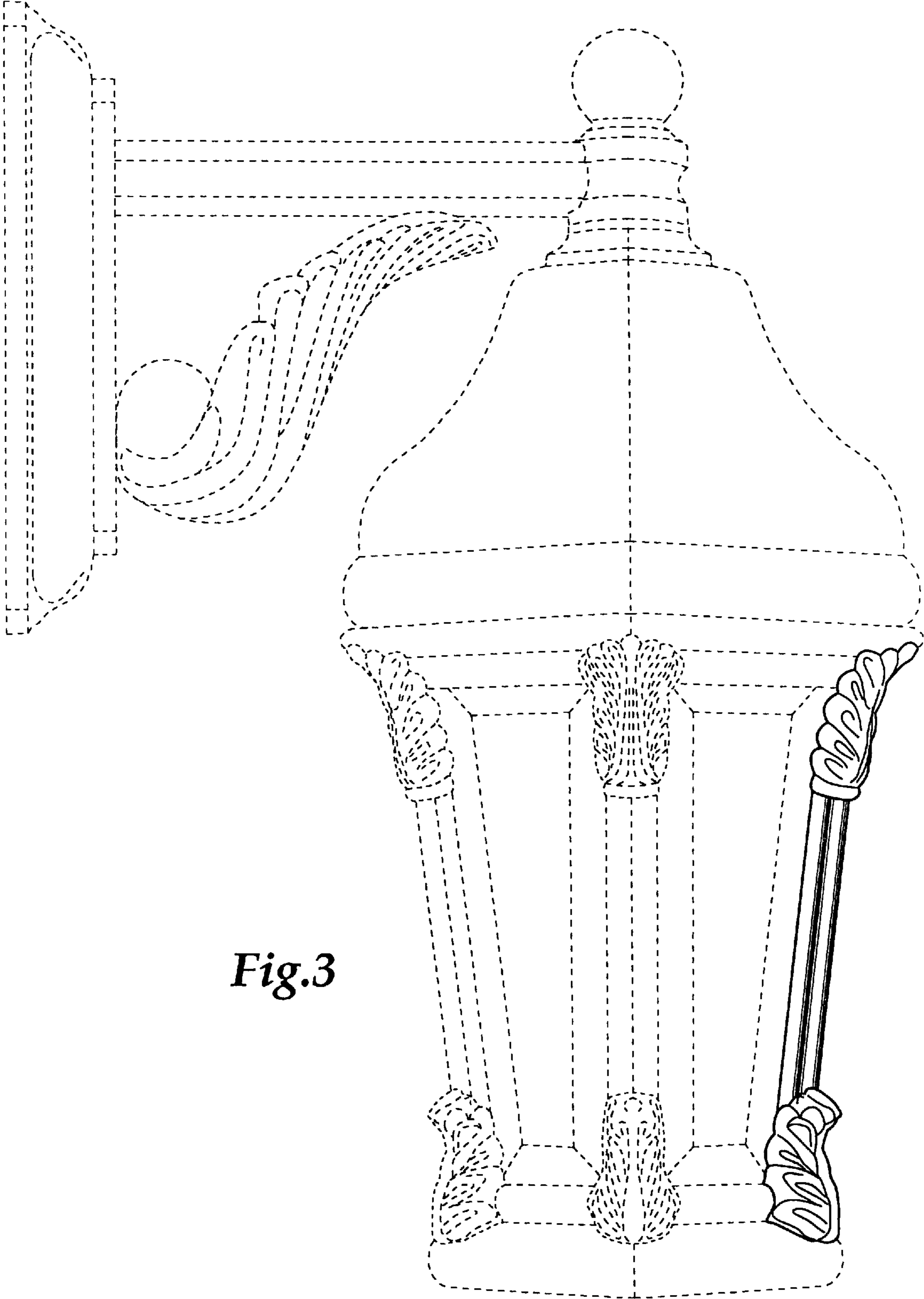


Fig.3

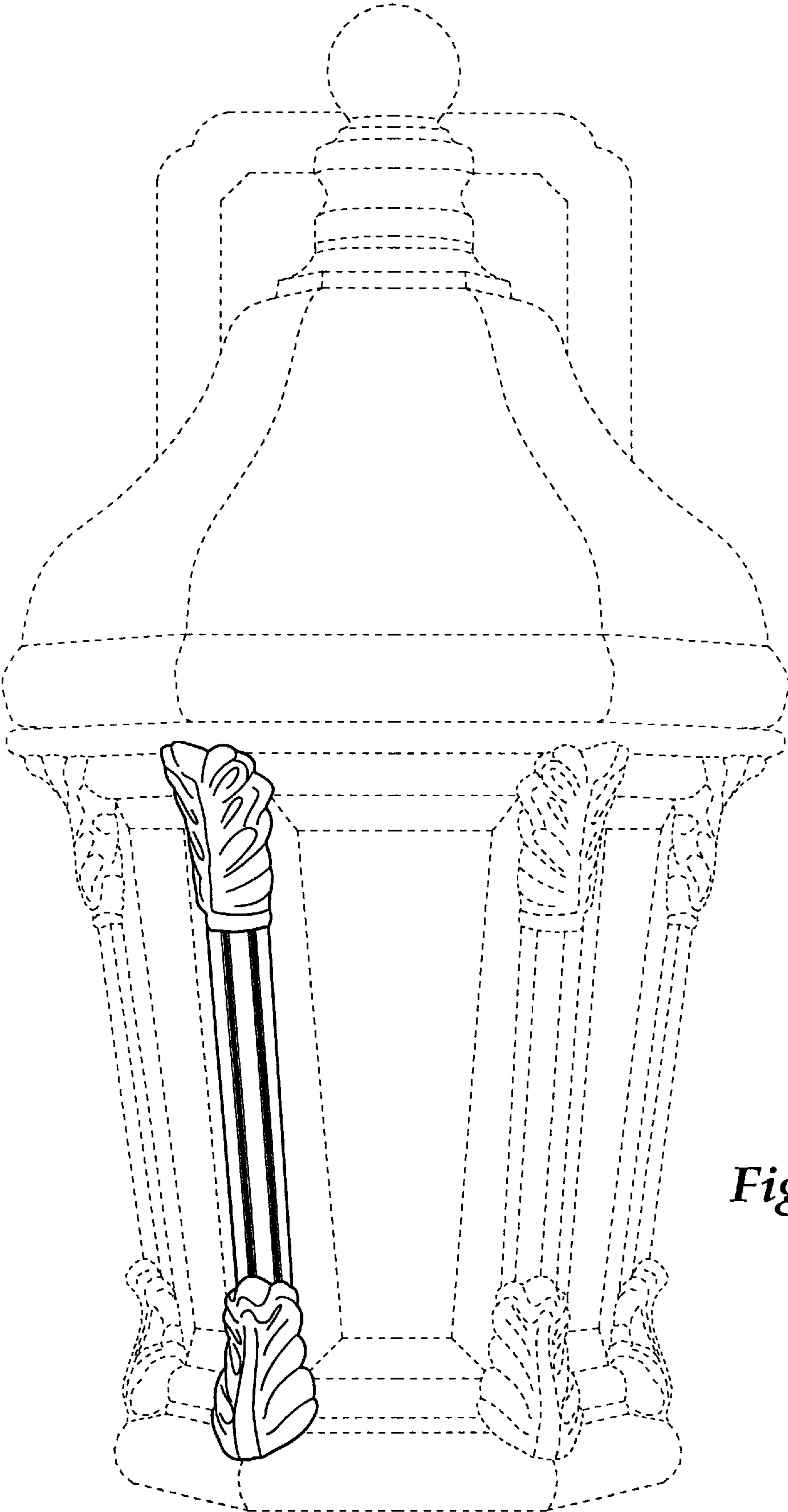


Fig.4