



US00D513440S

(12) **United States Design Patent**
Miranda

(10) **Patent No.:** **US D513,440 S**
(45) **Date of Patent:** **** Jan. 3, 2006**

(54) **LIGHTING FIXTURE**

(76) Inventor: **Pasquale Miranda**, 63-2nd St., Garden City, NY (US) 11530

(**) Term: **14 Years**

(21) Appl. No.: **29/211,516**

(22) Filed: **Aug. 17, 2004**

(51) **LOC (8) Cl.** **26-99**

(52) **U.S. Cl.** **D26/142; D26/81; D26/84**

(58) **Field of Classification Search** **D26/72, D26/80-92, 142-144, 152, 155; 362/147, 362/432, 404-408**

See application file for complete search history.

(56) **References Cited**

U.S. PATENT DOCUMENTS

D70,120 S	*	5/1926	Kostrzewski	D26/84
D71,387 S	*	11/1926	Lappin	D26/81
D71,964 S	*	2/1927	Friedman	D26/81
D73,481 S	*	9/1927	Boehringer	D26/84
D77,012 S	*	11/1928	Logan	D26/84
D431,310 S	*	9/2000	Dolan	D26/84

OTHER PUBLICATIONS

Quoizel 2004 Catalog. Item FM 1662ML on p. 100.*
“The Big Book” by Murray Feiss, 2004 Edition. (3 pages).
Item F1837/3 CB on p. 7; Item F1680/6 F1I on p. 94; and
Item F1683/3 FI on pl. 95.*

* cited by examiner

Primary Examiner—Clare E Heflin

(57) **CLAIM**

The ornamental design of a lighting fixture, as shown and described.

DESCRIPTION

FIG. 1 is a perspective view of lighting fixture showing my new design;
FIG. 2 is a front elevational view thereof;
FIG. 3 is a side elevational view thereof; and,
FIG. 4 is a top plan view thereof.
The broken-line showing of environmental structures in FIGS. 1-4 is for illustrative purposes only and forms no part of the claimed design.

1 Claim, 3 Drawing Sheets

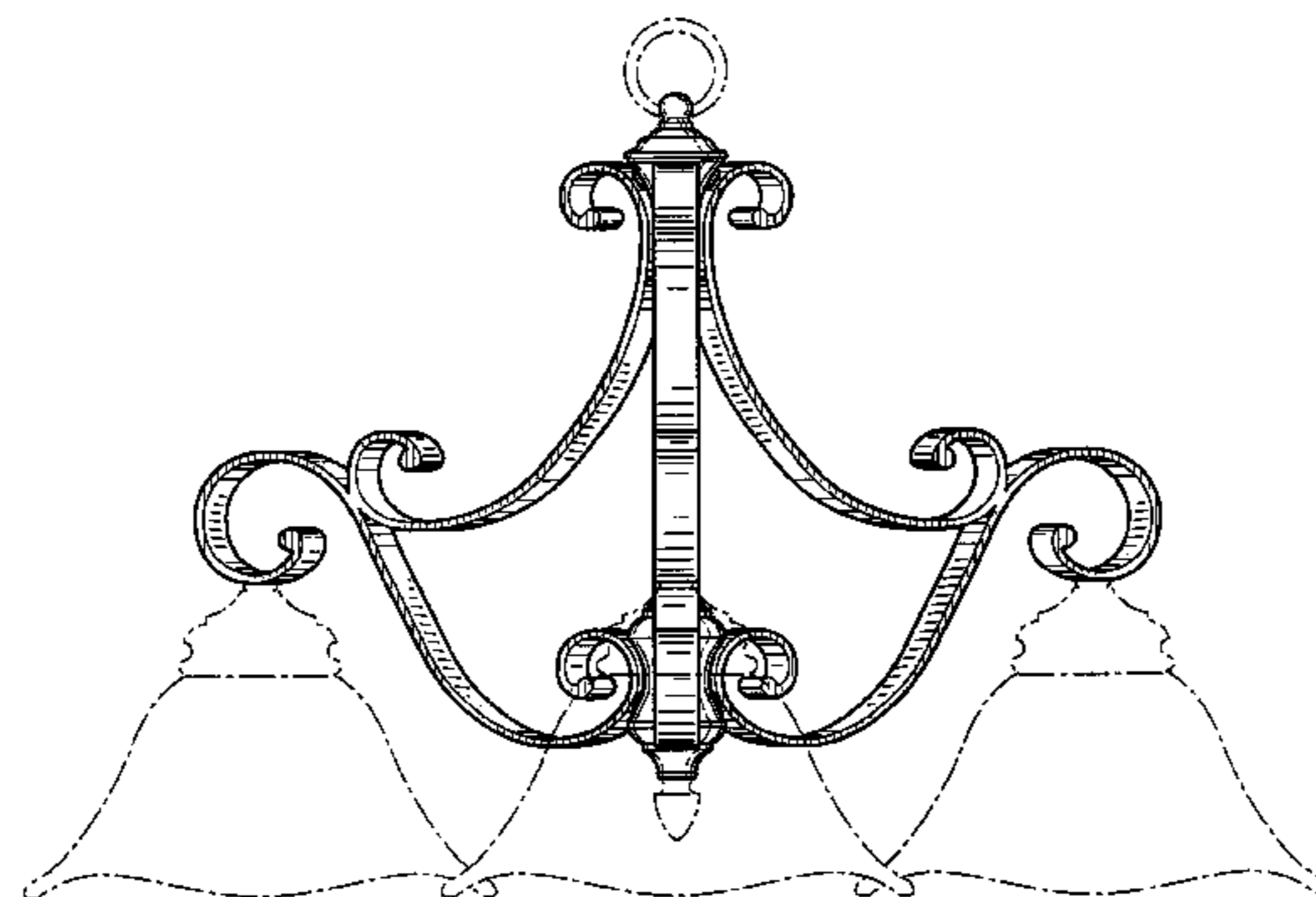
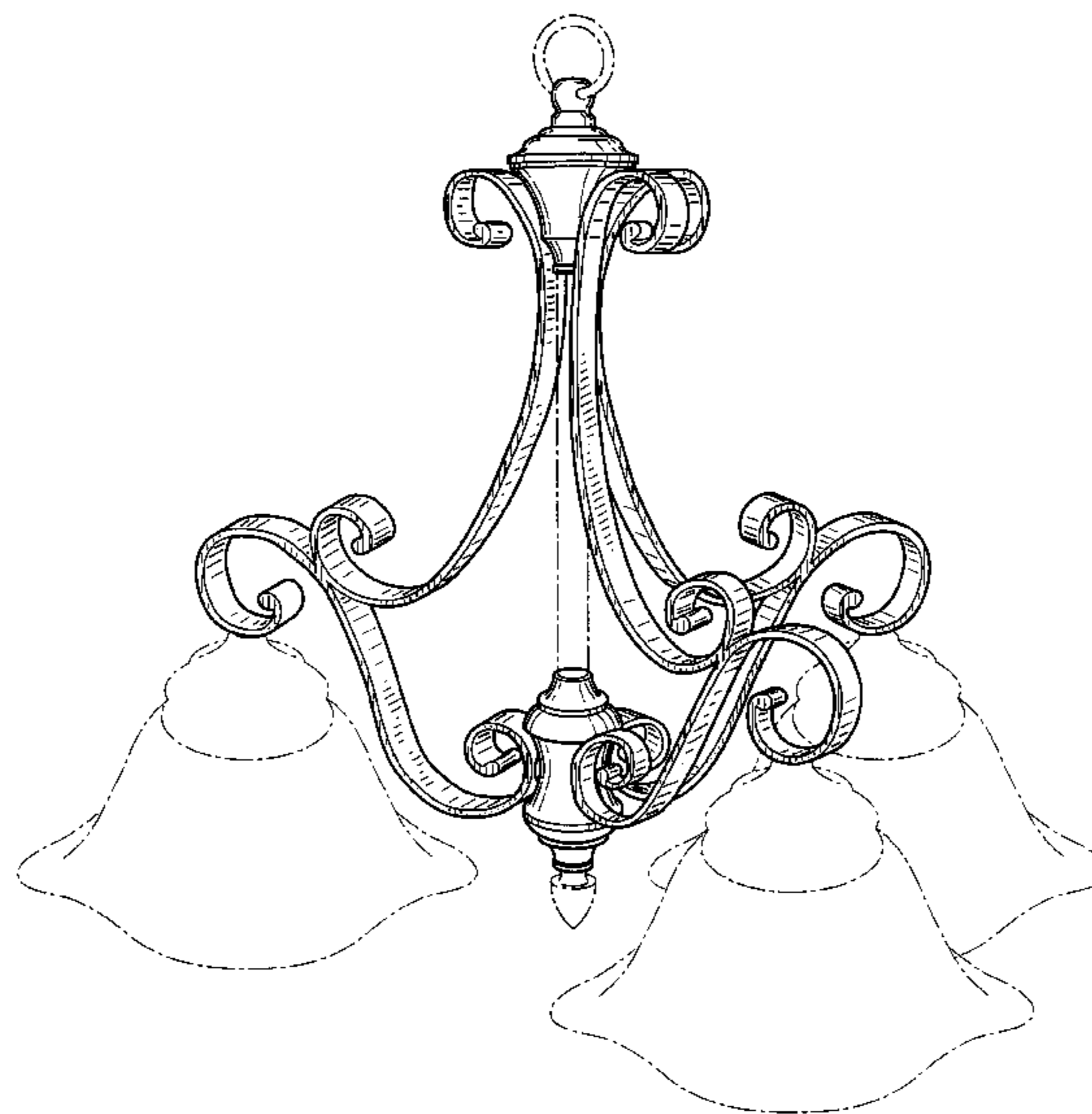


FIG. 1

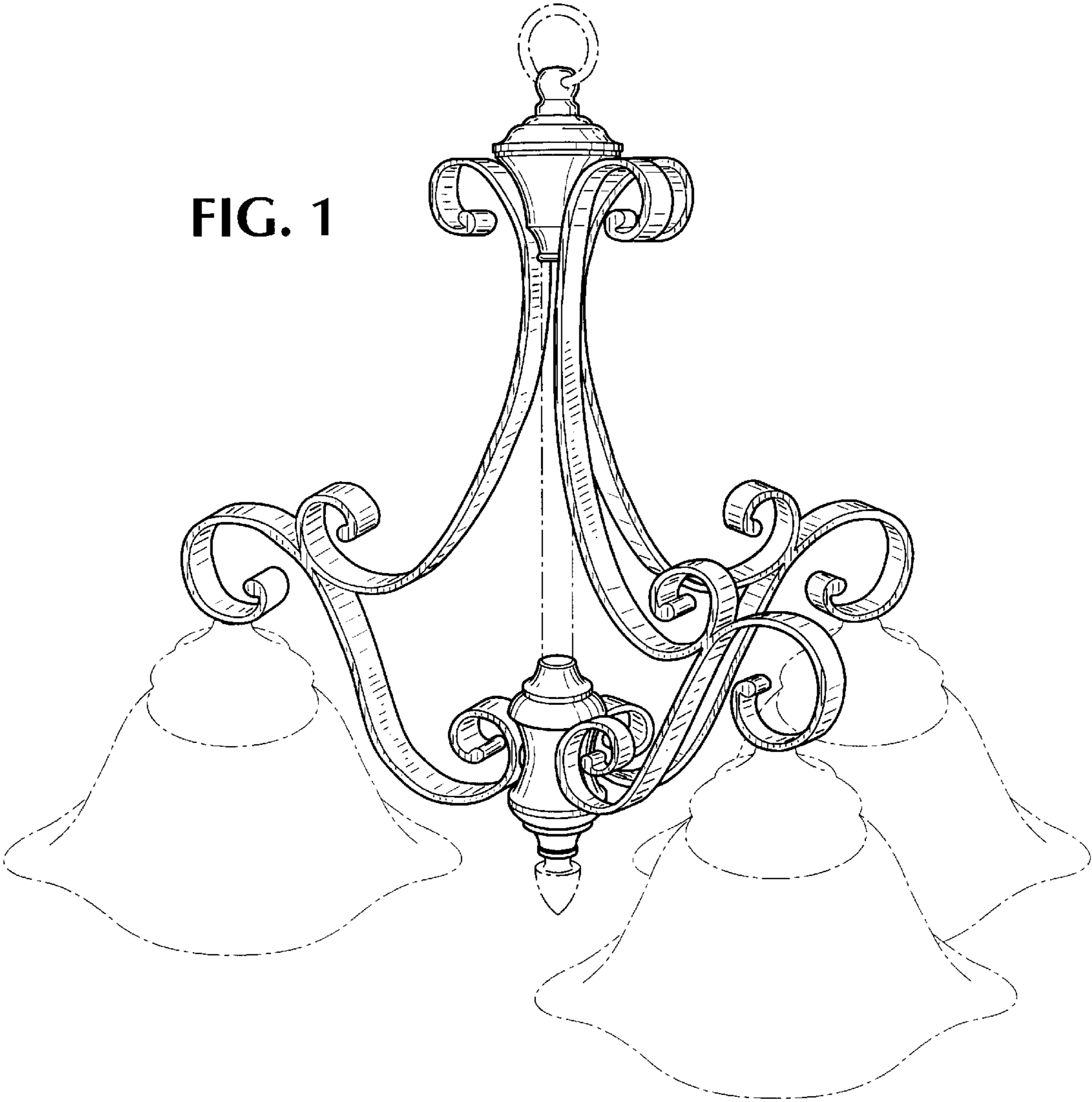


FIG. 2

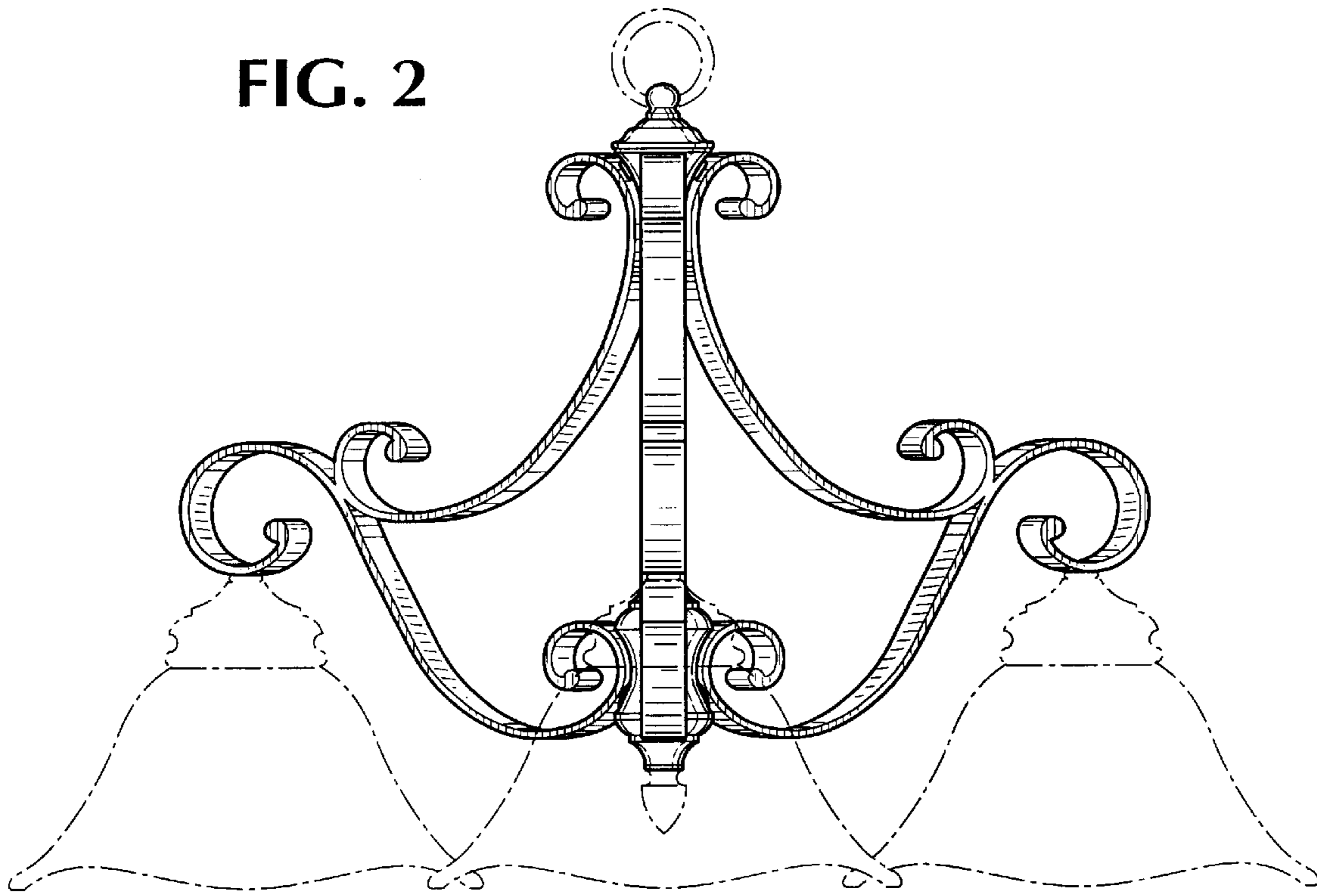


FIG. 3

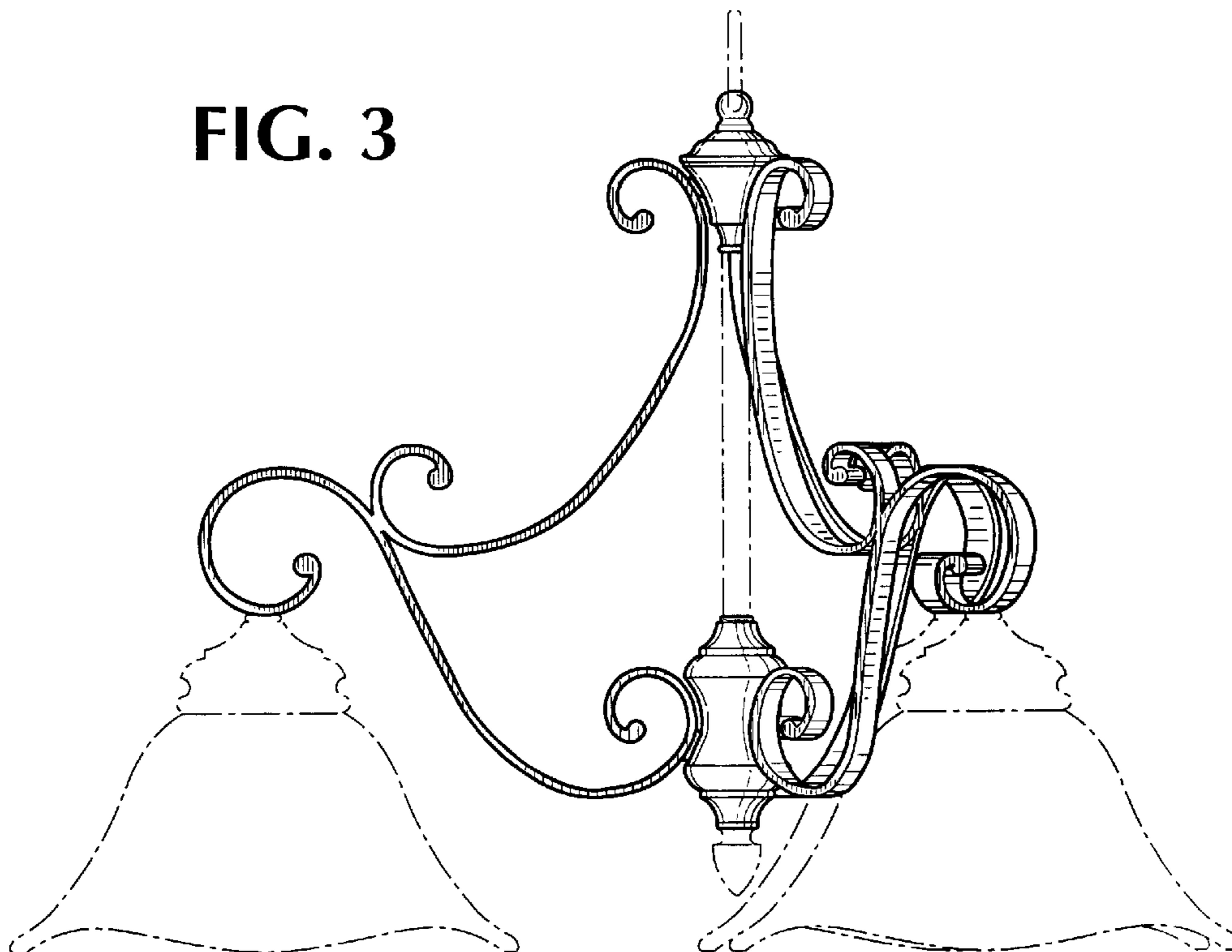


FIG. 4

