



US00D513439S

(12) **United States Design Patent**  
**Hetfield**

(10) **Patent No.:** **US D513,439 S**  
(45) **Date of Patent:** **\*\* Jan. 3, 2006**

(54) **LUMINAIRE**

(75) **Inventor:** **Margaret L. Hetfield, Bristol, RI (US)**

(73) **Assignee:** **Genlyte Thomas Group LLC,**  
**Louisville, KY (US)**

(\*\*) **Term:** **14 Years**

(21) **Appl. No.:** **29/190,286**

(22) **Filed:** **Sep. 16, 2003**

(51) **LOC (8) Cl.** ..... **26-03**

(52) **U.S. Cl.** ..... **D26/76**

(58) **Field of Classification Search** ..... **D26/72,**  
**D26/75-79; 362/217-225, 337, 339**

See application file for complete search history.

(56) **References Cited**

**U.S. PATENT DOCUMENTS**

2,202,266	A	5/1940	Phillips	
D286,206	S	10/1986	Joosten et al.	
D349,173	S	7/1994	Fellinger	
D349,358	S	* 8/1994	Herst et al.	D26/85
D364,478	S	* 11/1995	Pesau	D26/76
D414,287	S	* 9/1999	Sapper	D26/76
5,988,829	A	11/1999	Holder	
D430,326	S	8/2000	Littman	
D440,343	S	4/2001	Littman	

D443,945	S	6/2001	Littman	
D445,943	S	7/2001	Littman	
D450,874	S	* 11/2001	Heiny et al.	D26/78
D455,518	S	4/2002	Littman	
D457,679	S	5/2002	Littman	
D459,014	S	6/2002	Chen	
D483,510	S	* 12/2003	Fritze et al.	D26/75

\* cited by examiner

*Primary Examiner*—Clare E Heflin

(74) *Attorney, Agent, or Firm*—Middleton Reutlinger

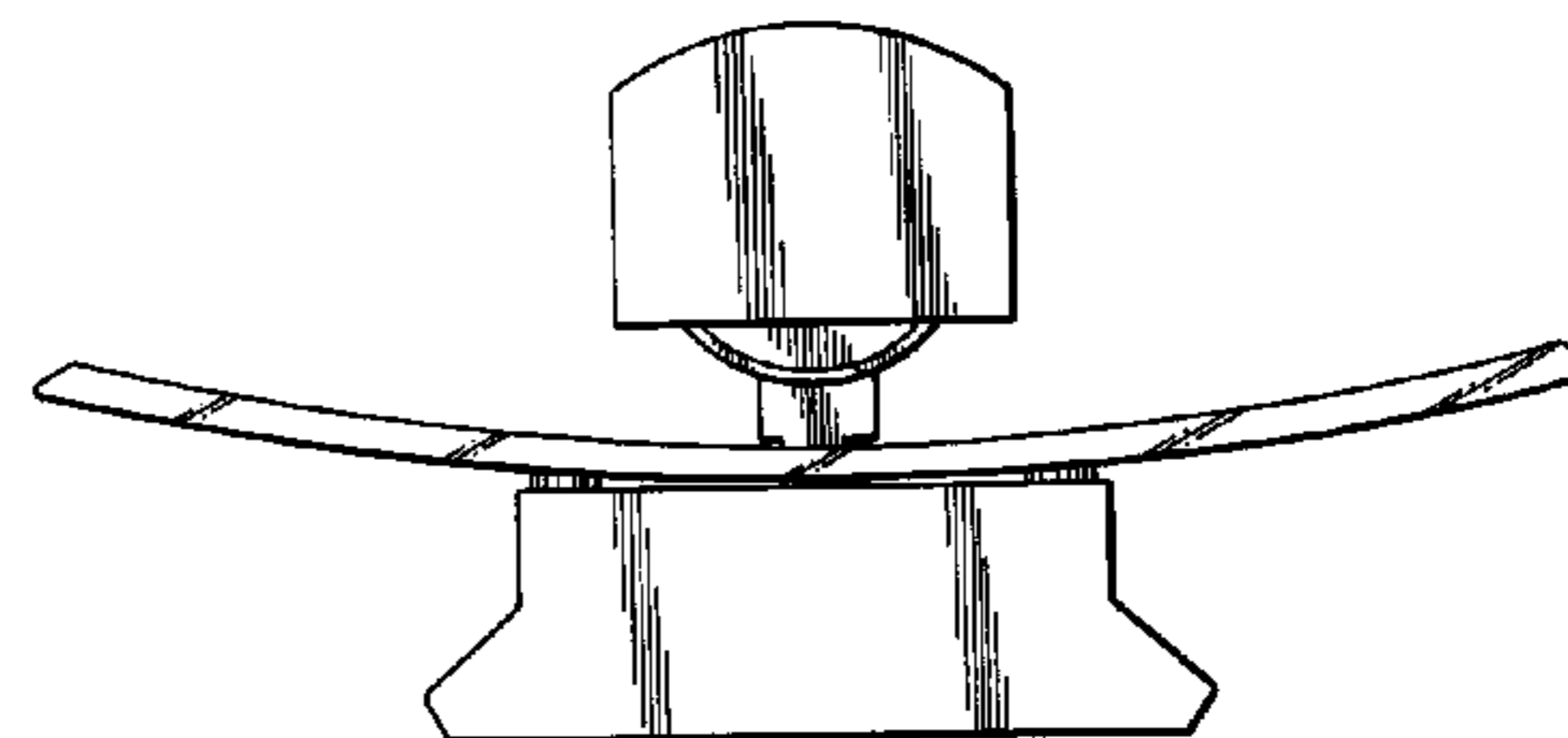
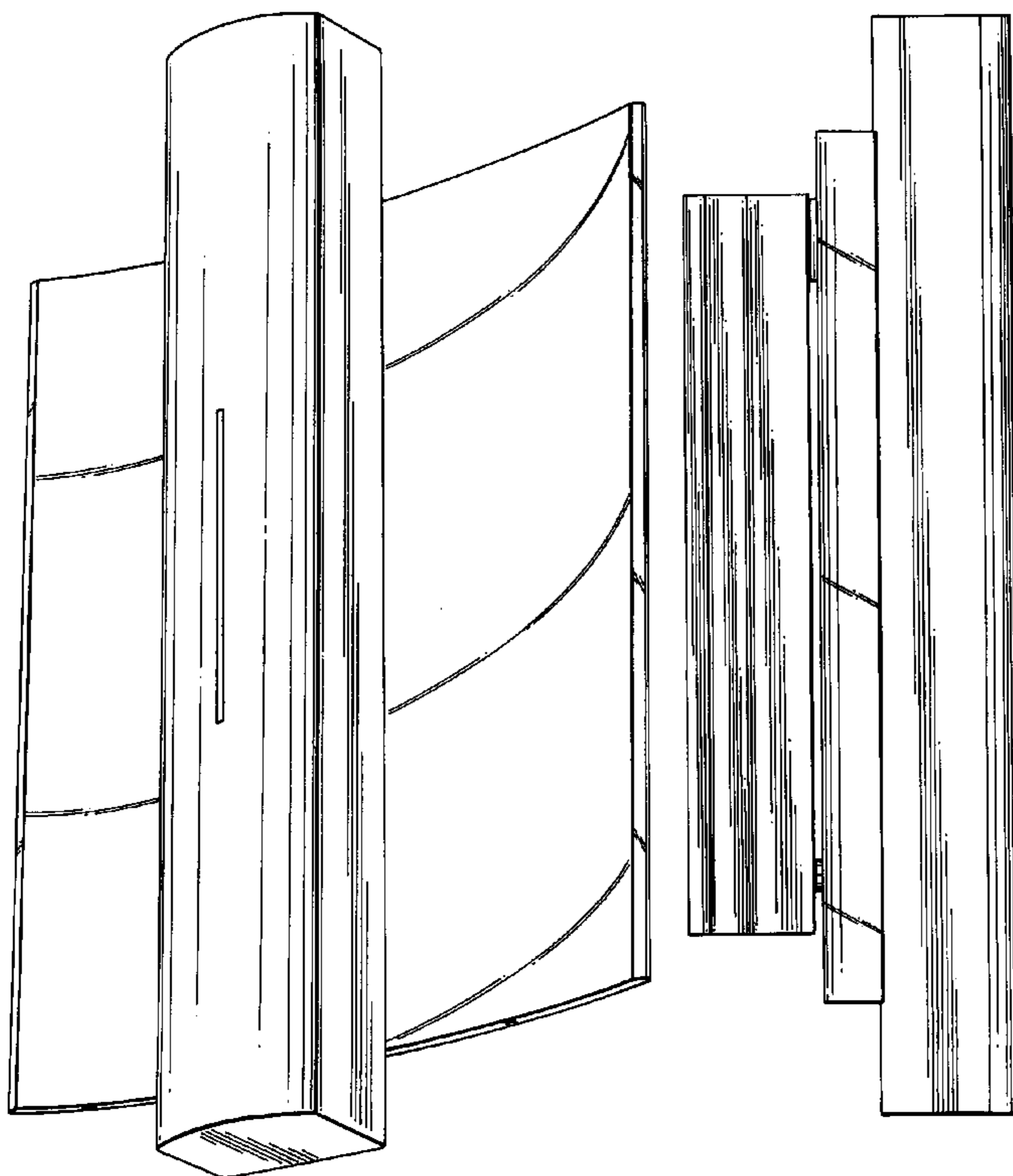
(57) **CLAIM**

The ornamental design for luminaire, as shown and described.

**DESCRIPTION**

FIG. 1 is a perspective view of the design for a luminaire.  
 FIG. 2 is a front view of the design.  
 FIG. 3 is a right side view of the design.  
 FIG. 4 is a left side view of the design.  
 FIG. 5 is a top view of the design.  
 FIG. 6 is a bottom view of the design; and,  
 FIG. 7 is a back view of the design.  
 The broken line showing of environmental structure is for illustrative purposes only and forms no part of the claimed design.

**1 Claim, 7 Drawing Sheets**



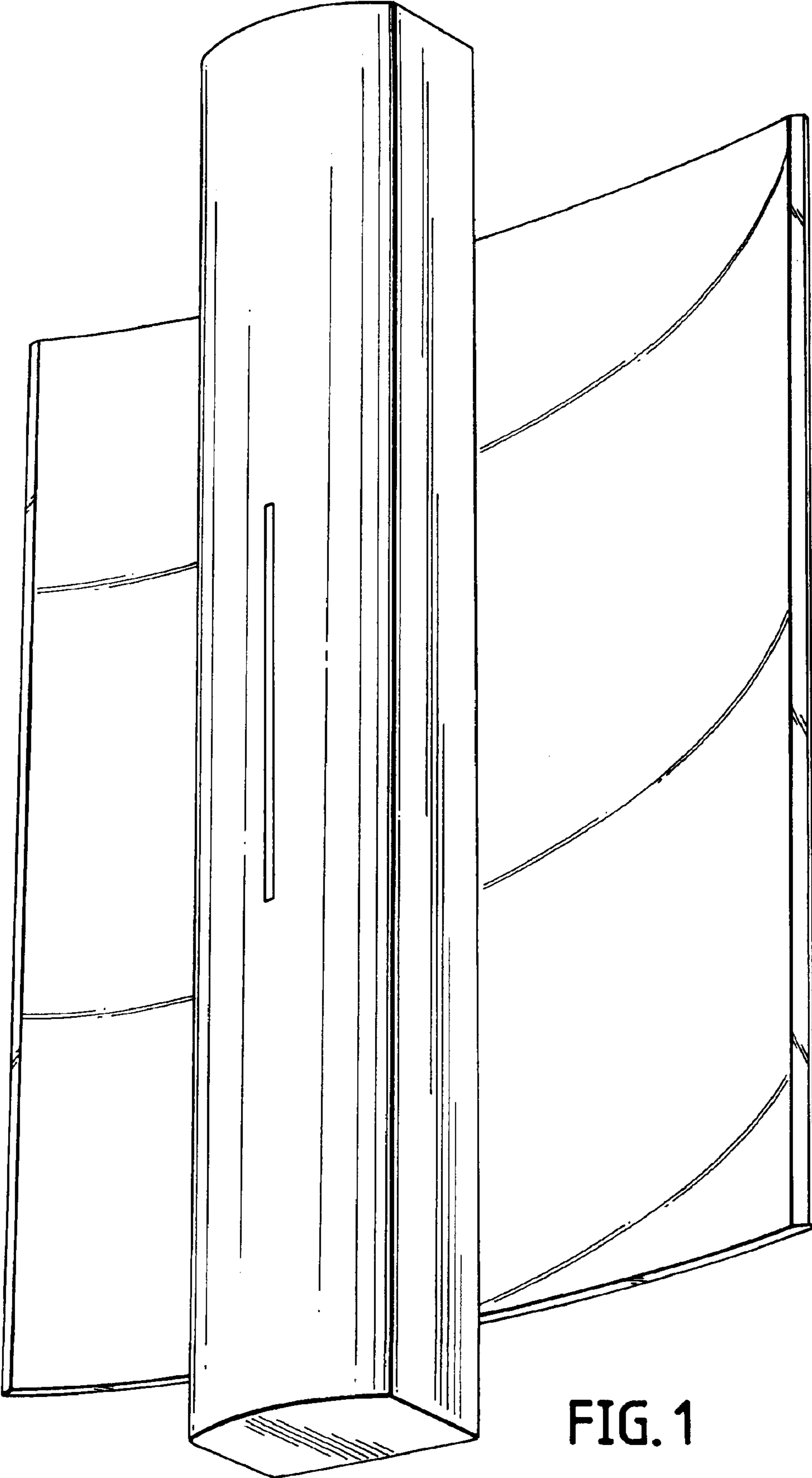


FIG. 1

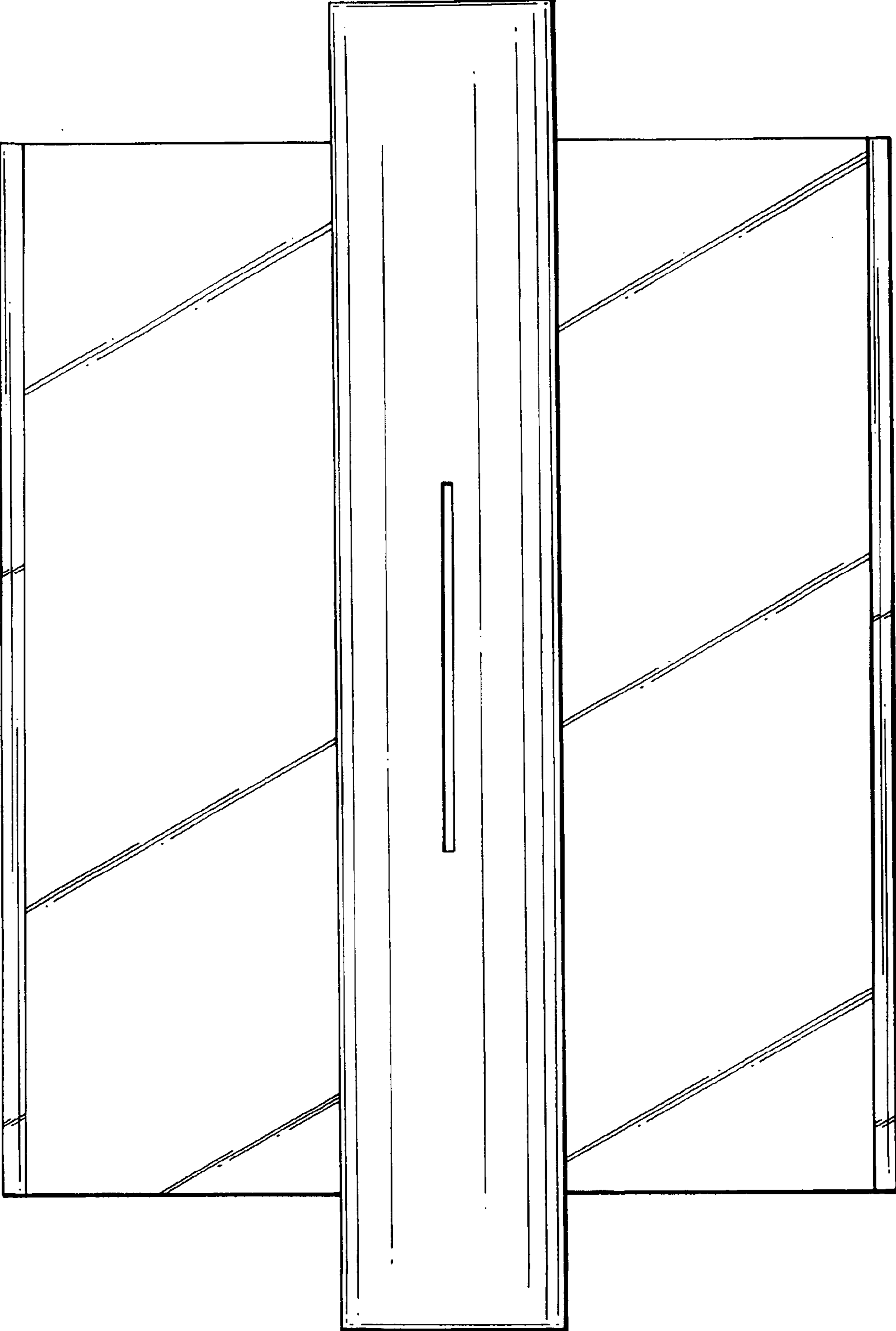


FIG. 2

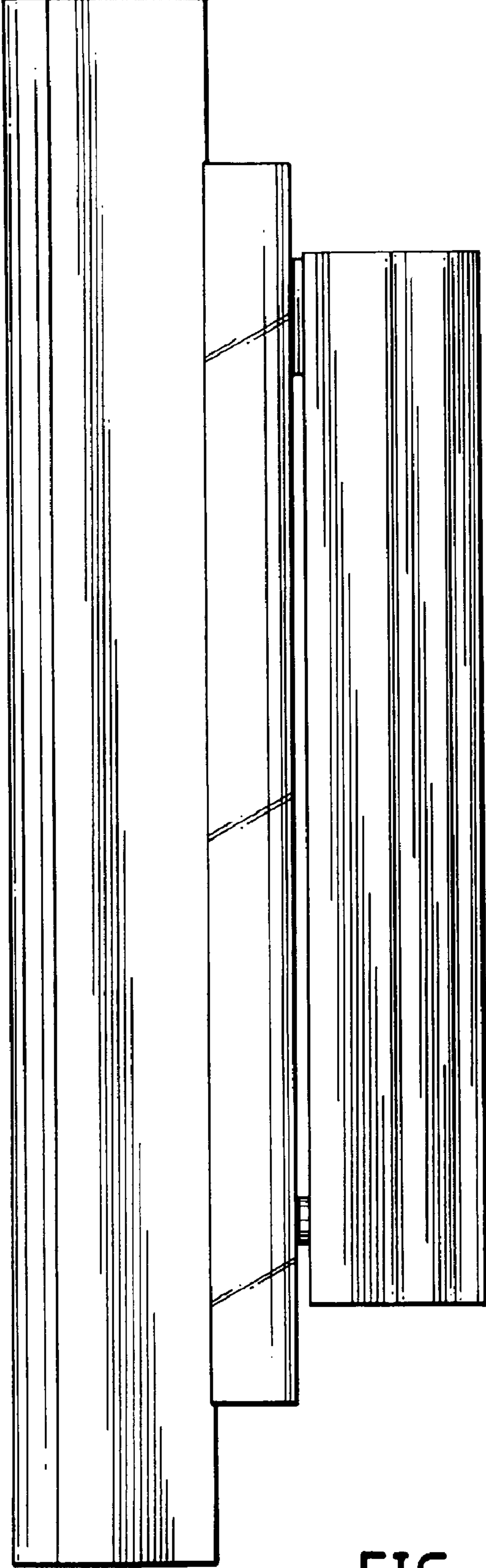


FIG. 3

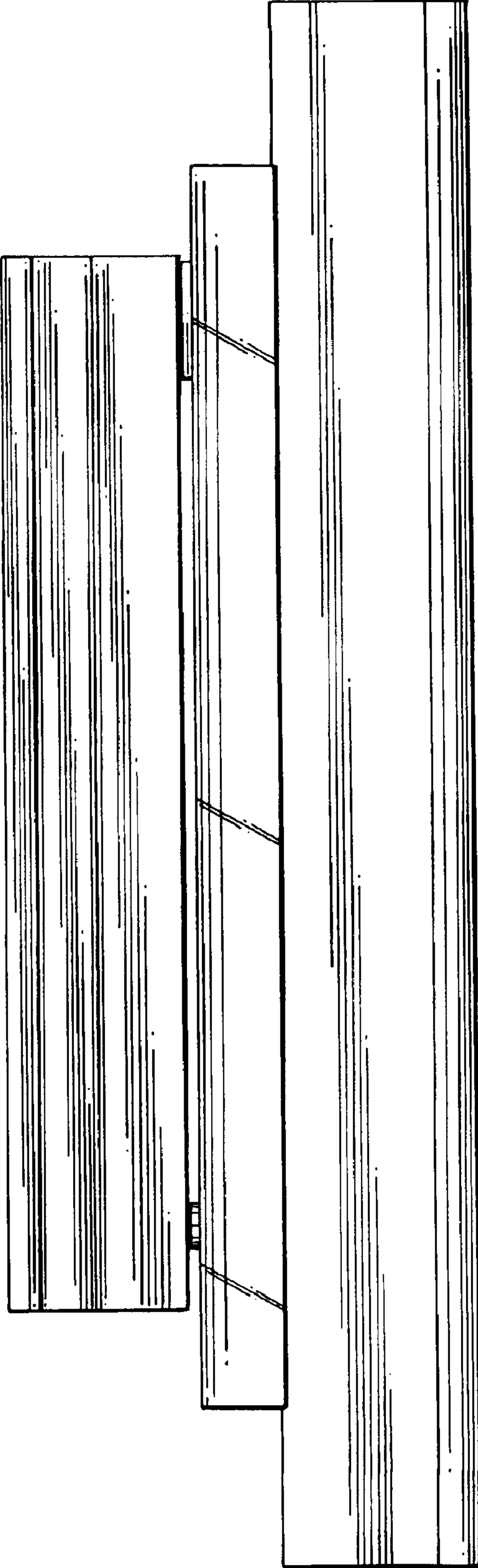


FIG. 4

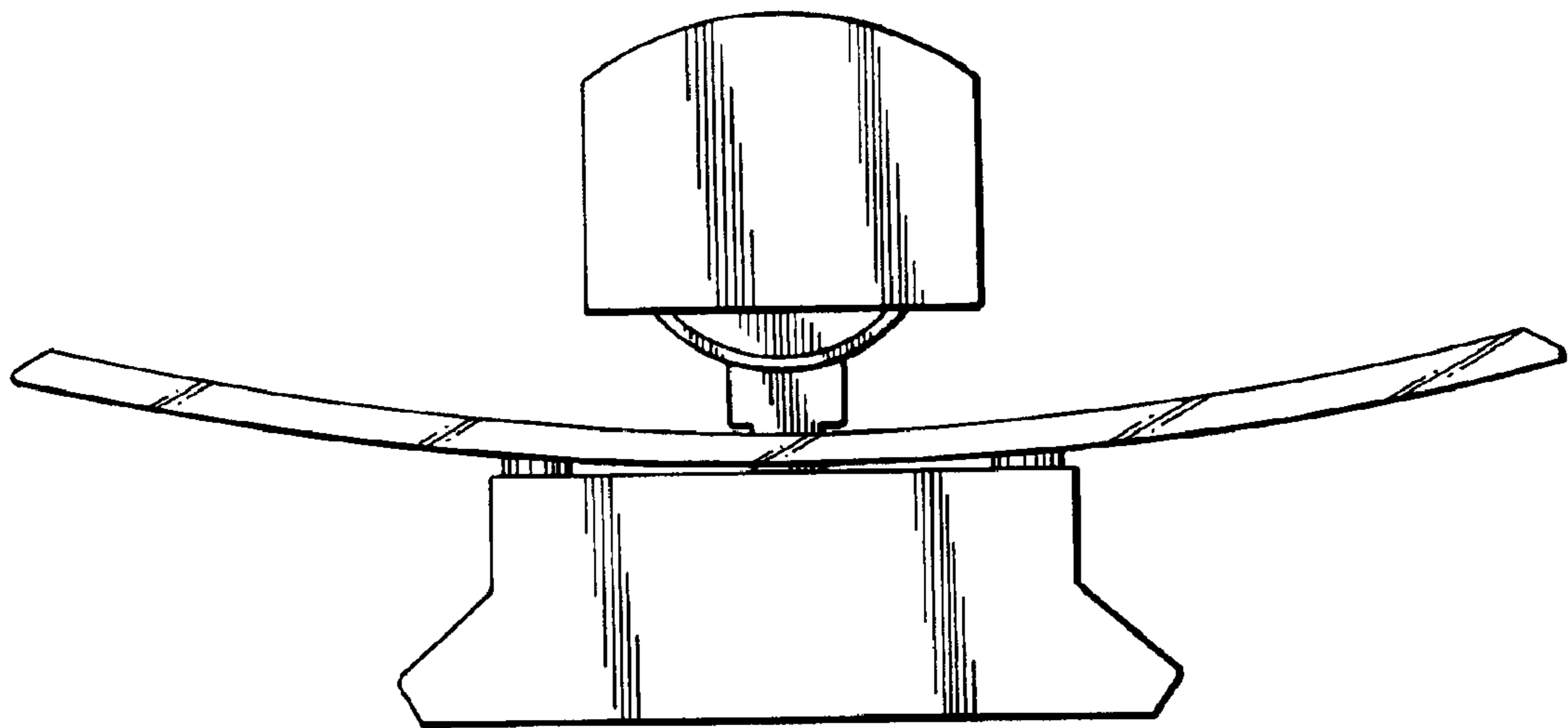


FIG. 5

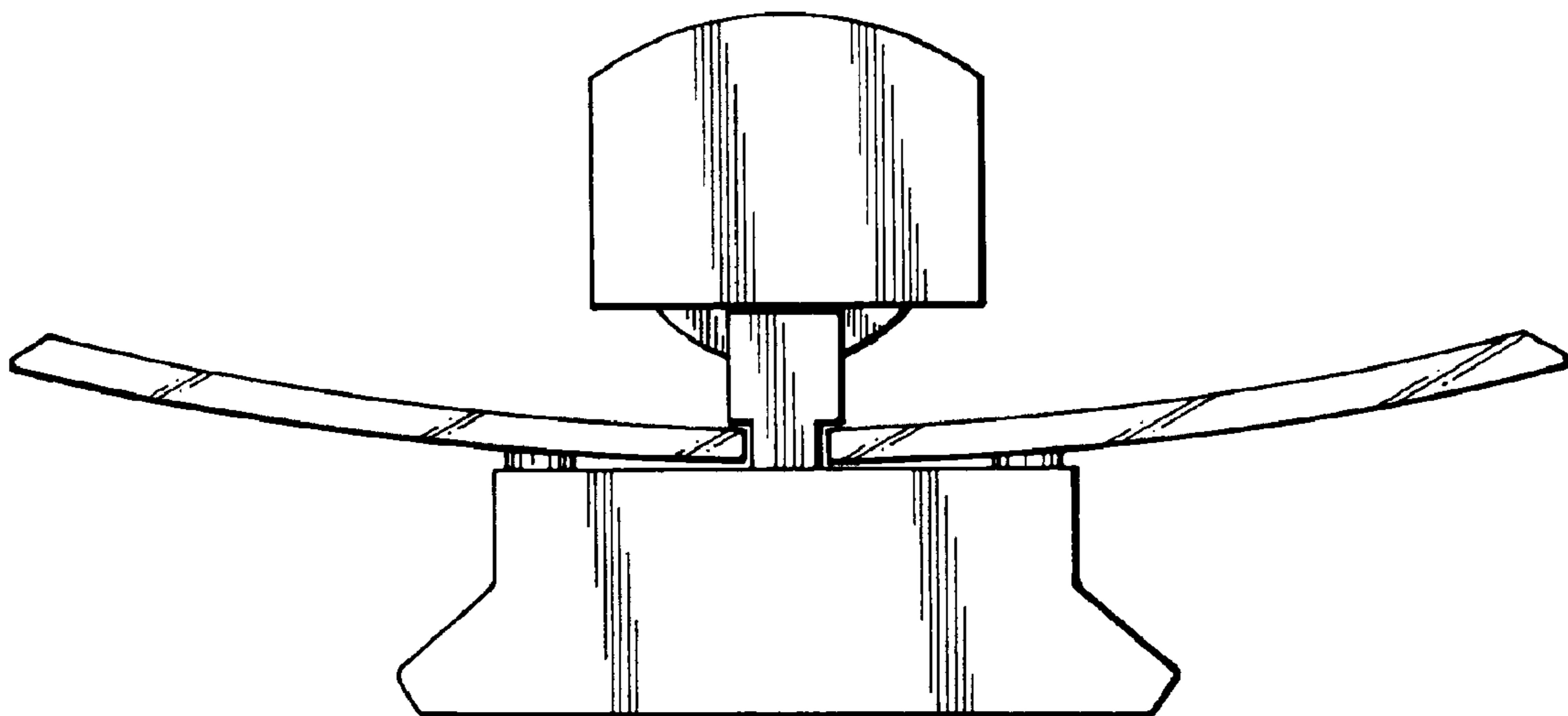


FIG. 6

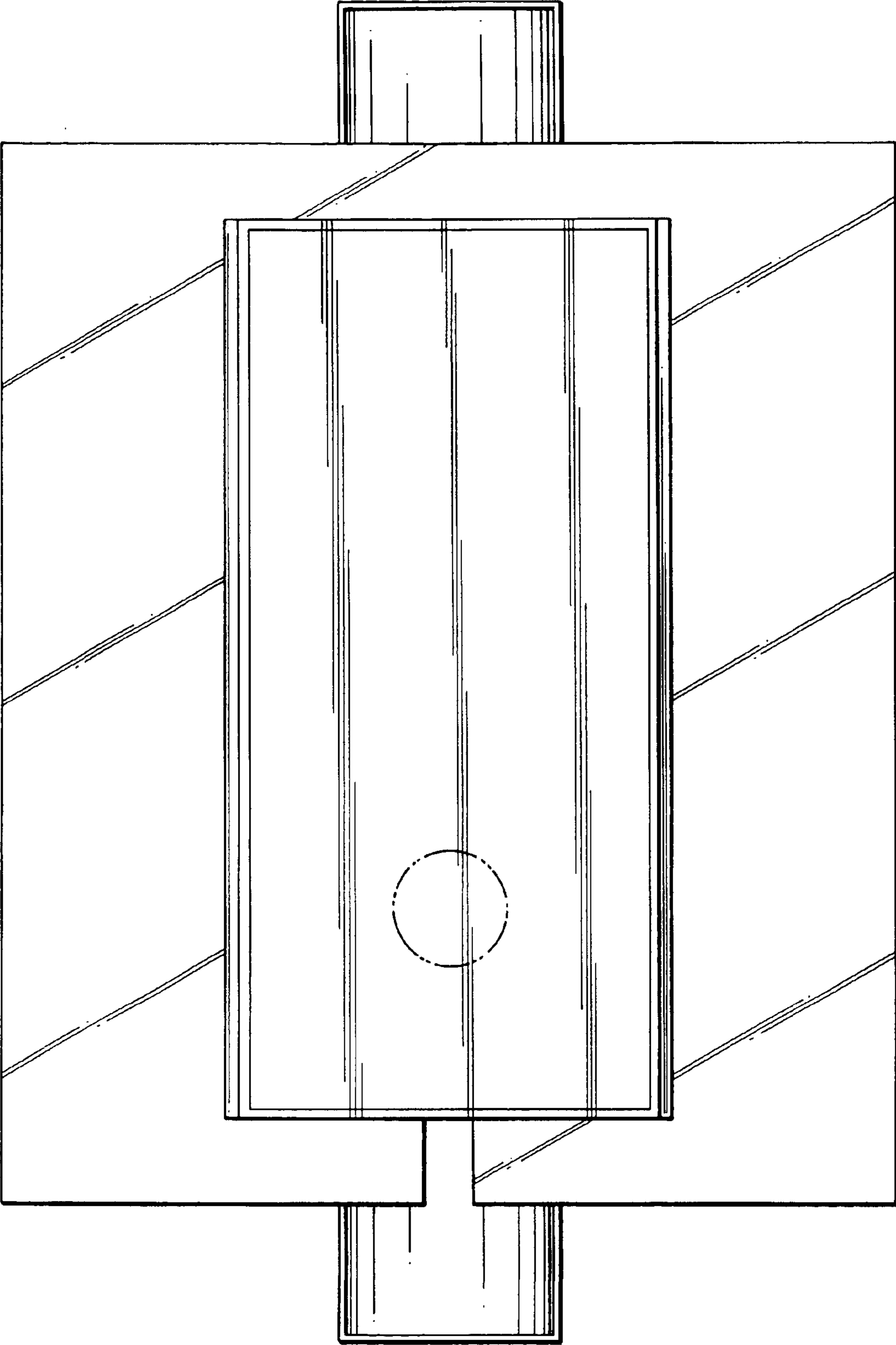


FIG. 7