



US00D513438S

(12) **United States Design Patent** (10) **Patent No.:** **US D513,438 S**  
**McNeice** (45) **Date of Patent:** **\*\* Jan. 3, 2006**

(54) **NECK TRACTION APPARATUS**

(76) Inventor: **Gregory McNeice**, 21 Prescient St., Mt. Pleasant, SC (US) 29464

(\*\*) Term: **14 Years**

(21) Appl. No.: **29/203,589**

(22) Filed: **Apr. 16, 2004**

(51) **LOC (8) Cl.** ..... **24-02**

(52) **U.S. Cl.** ..... **D24/188**

(58) **Field of Classification Search** ..... D24/188, D24/190; 602/39, 32, 36, 40, 17, 18  
See application file for complete search history.

(56) **References Cited**

**U.S. PATENT DOCUMENTS**

2,830,581	A	*	4/1958	Sanders	.....	602/32
4,616,637	A	*	10/1986	Caspari et al.	.....	602/39
D344,135	S	*	2/1994	Price	.....	D24/188
5,676,158	A	*	10/1997	Katzman et al.	.....	602/36
6,811,541	B2	*	11/2004	Lambert	.....	602/36

\* cited by examiner

*Primary Examiner*—Ian Simmons

*Assistant Examiner*—Daniel Yu

(74) *Attorney, Agent, or Firm*—J. Bennett Mullinax, LLC

(57) **CLAIM**

The ornamental design of a neck traction apparatus, as shown and described.

**DESCRIPTION**

FIG. 1 is a perspective view of the neck traction apparatus; FIG. 2 is a front elevation view of the neck traction apparatus;

FIG. 3 is a right side elevation view of the neck traction apparatus, the left elevation side being a mirror image thereof;

FIG. 4 is a rear elevation view of the neck traction apparatus;

FIG. 5 is a top plan view of the neck traction apparatus;

FIG. 6 is a bottom plan view of the neck traction apparatus;

FIG. 7 is a perspective view of a second embodiment of the neck traction apparatus;

FIG. 8 is a front elevation view of the second embodiment of the neck traction apparatus;

FIG. 9 is a right side elevation view of the second embodiment of the neck traction apparatus, the left elevation side being a mirror image thereof;

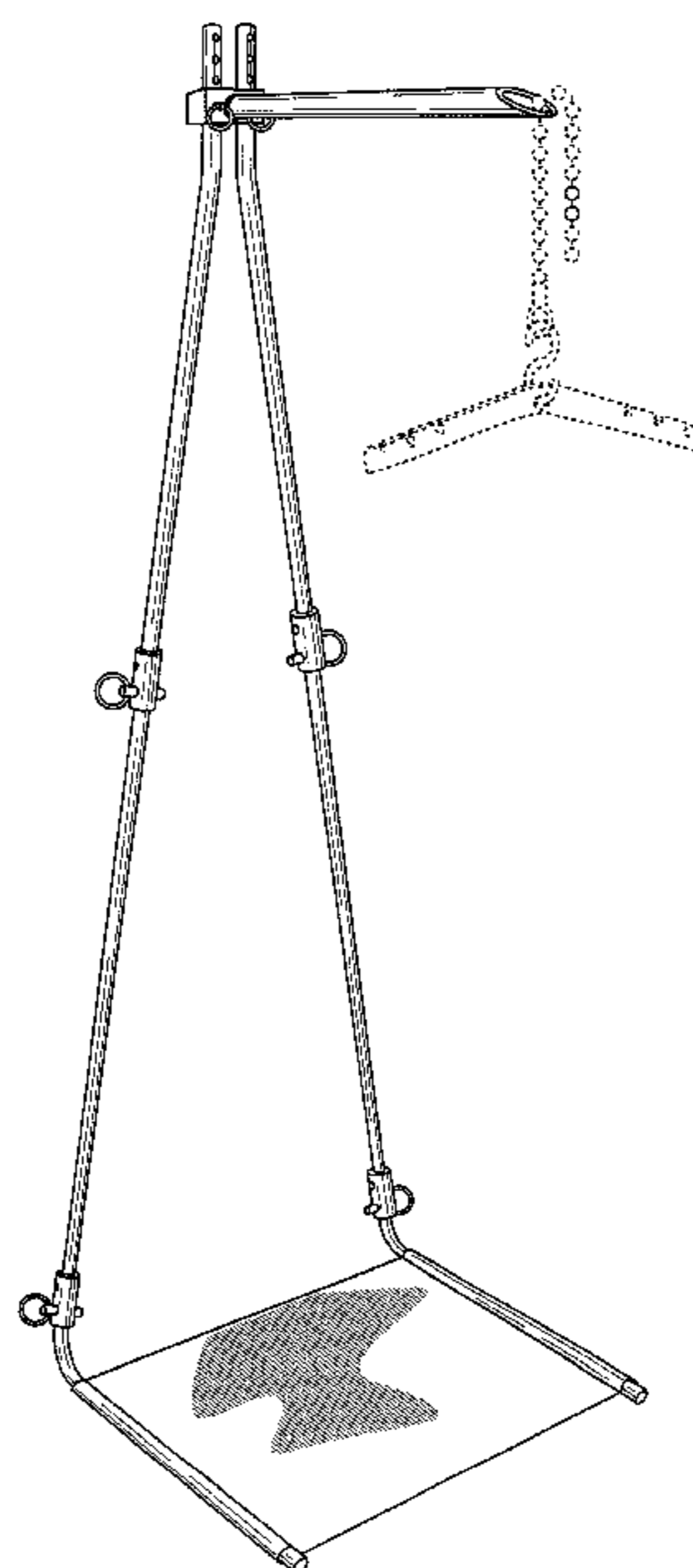
FIG. 10 is a rear elevation view of the second embodiment of the neck traction apparatus;

FIG. 11 is a top plan view of the second embodiment of the neck traction apparatus; and,

FIG. 12 is a bottom plan view of the second embodiment of the neck traction apparatus.

The broken lines in FIG. 1 setting forth a hanger and accompanying chain and the broken lines showing the connecting rings and post as seen in FIGS. 7 through 12 are for illustrative purposes only and form no part of the claimed design.

**1 Claim, 10 Drawing Sheets**



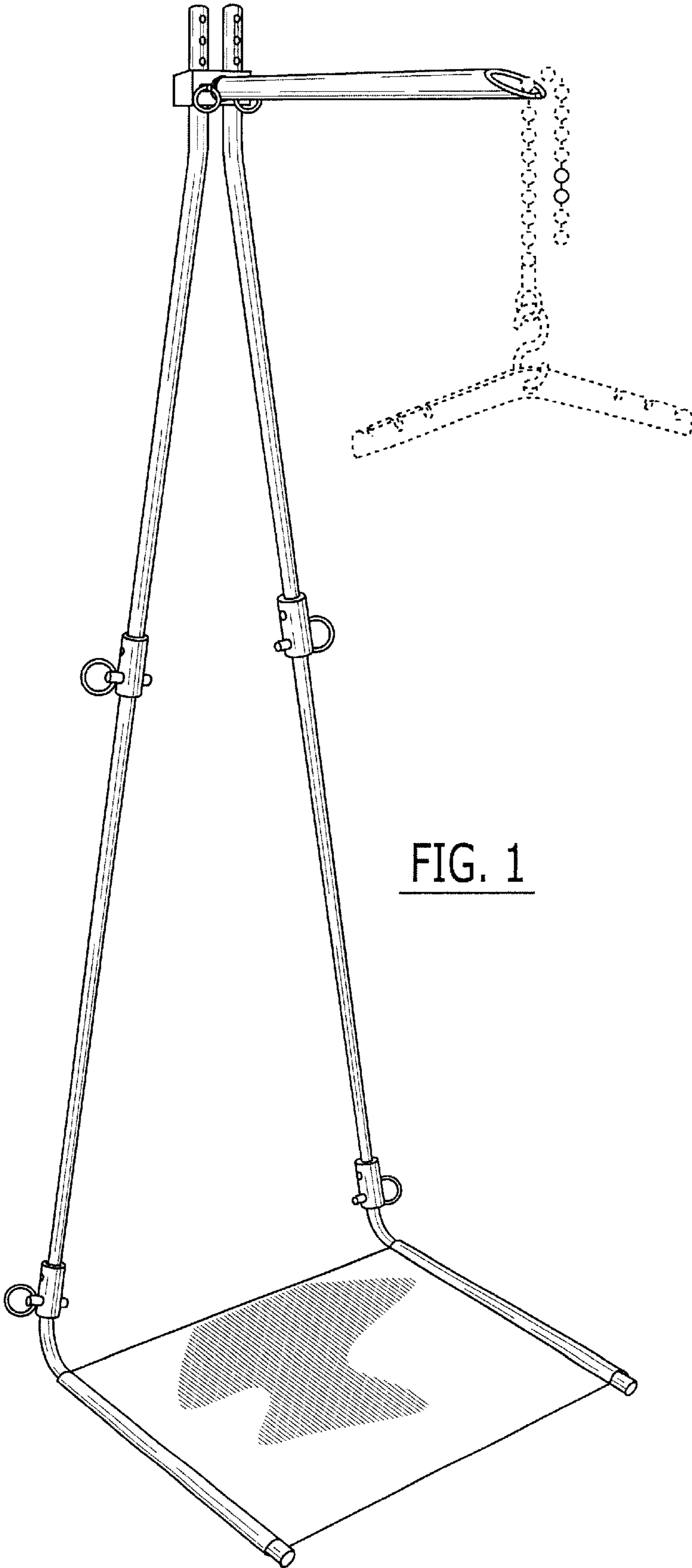


FIG. 1

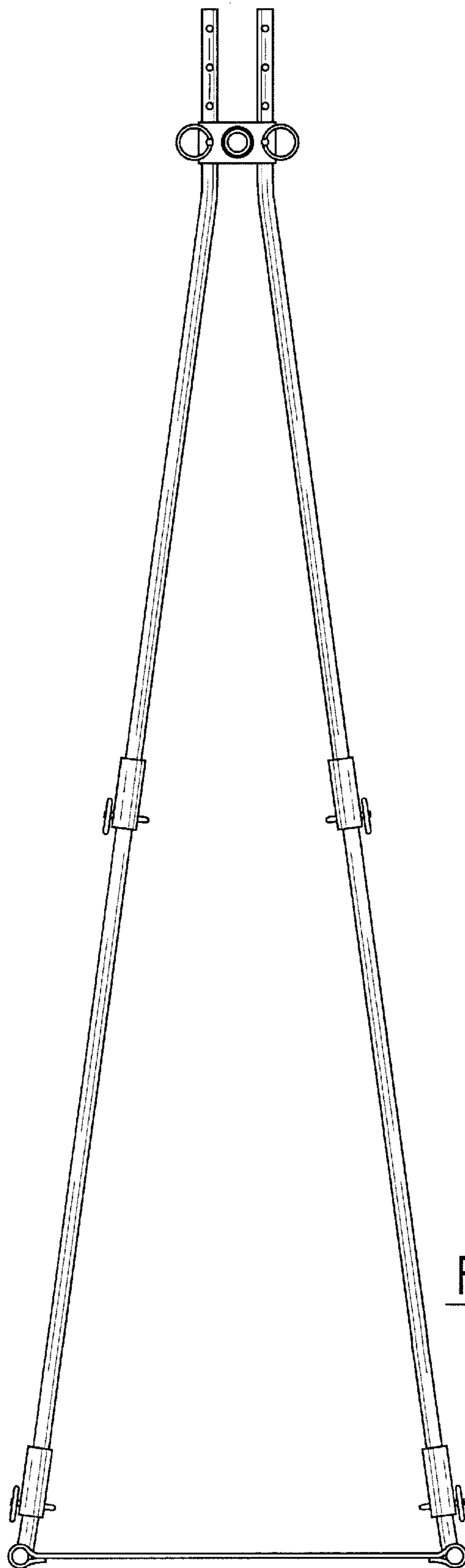


FIG. 2

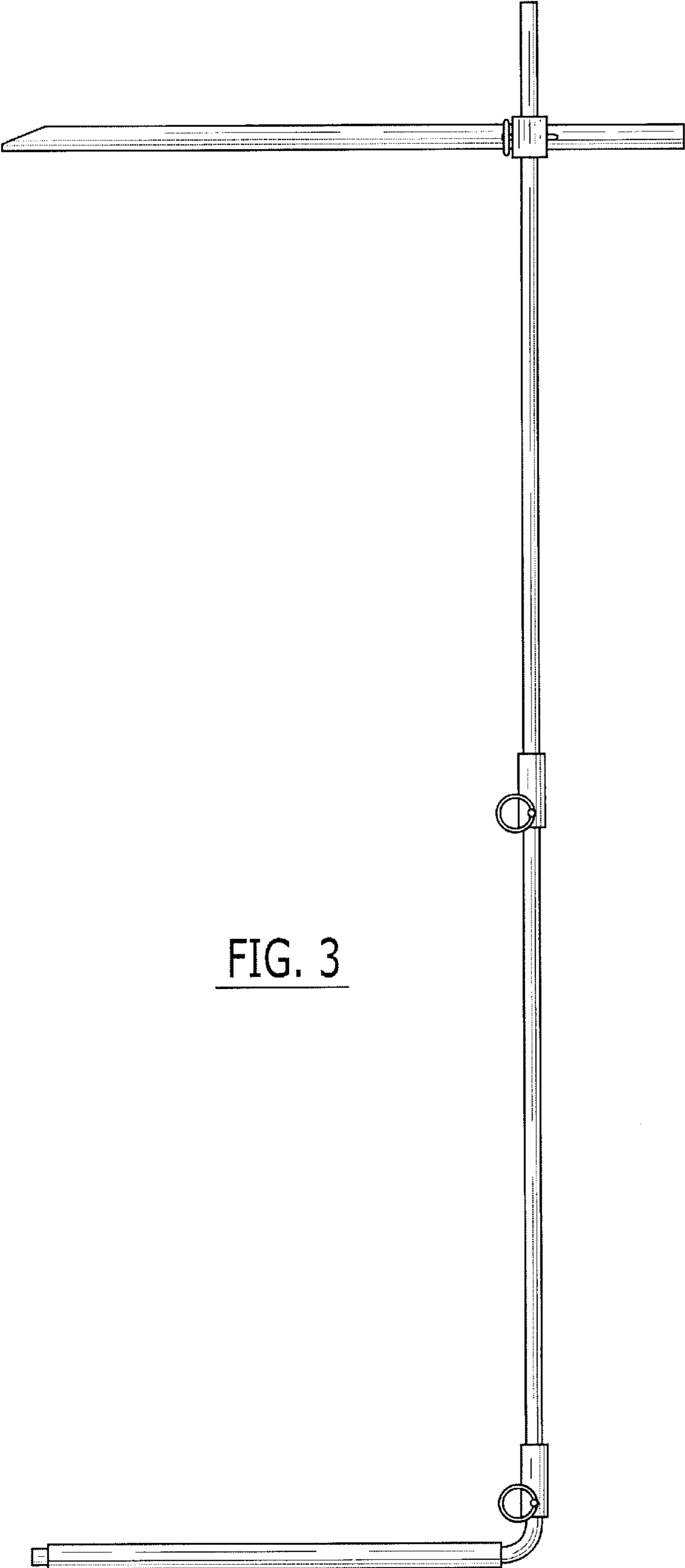


FIG. 3

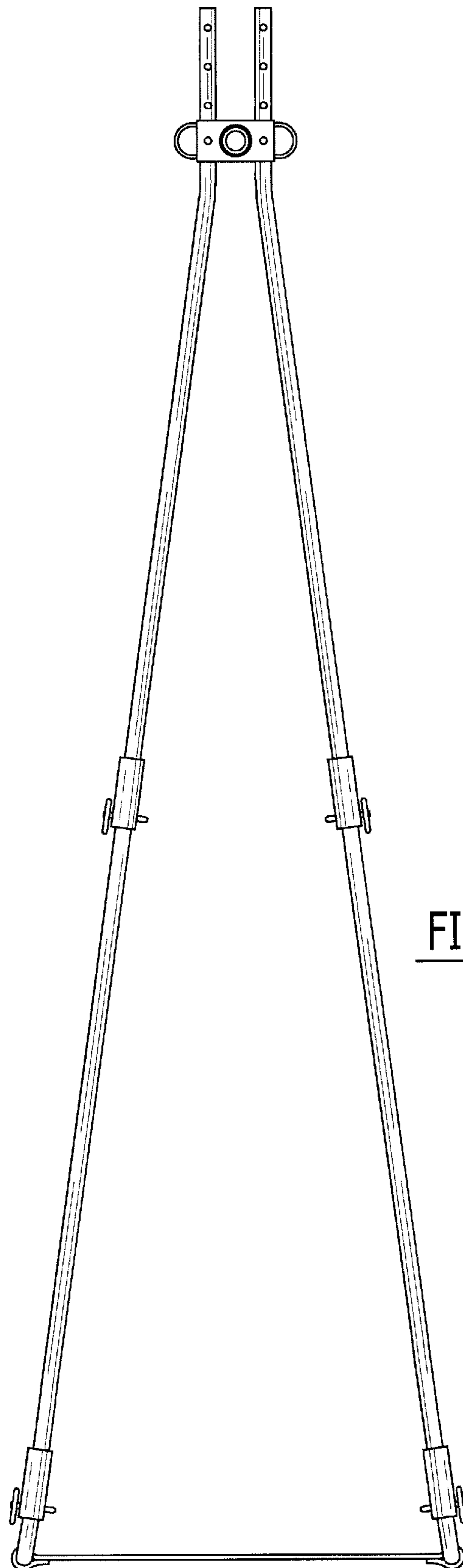


FIG. 4

FIG. 5

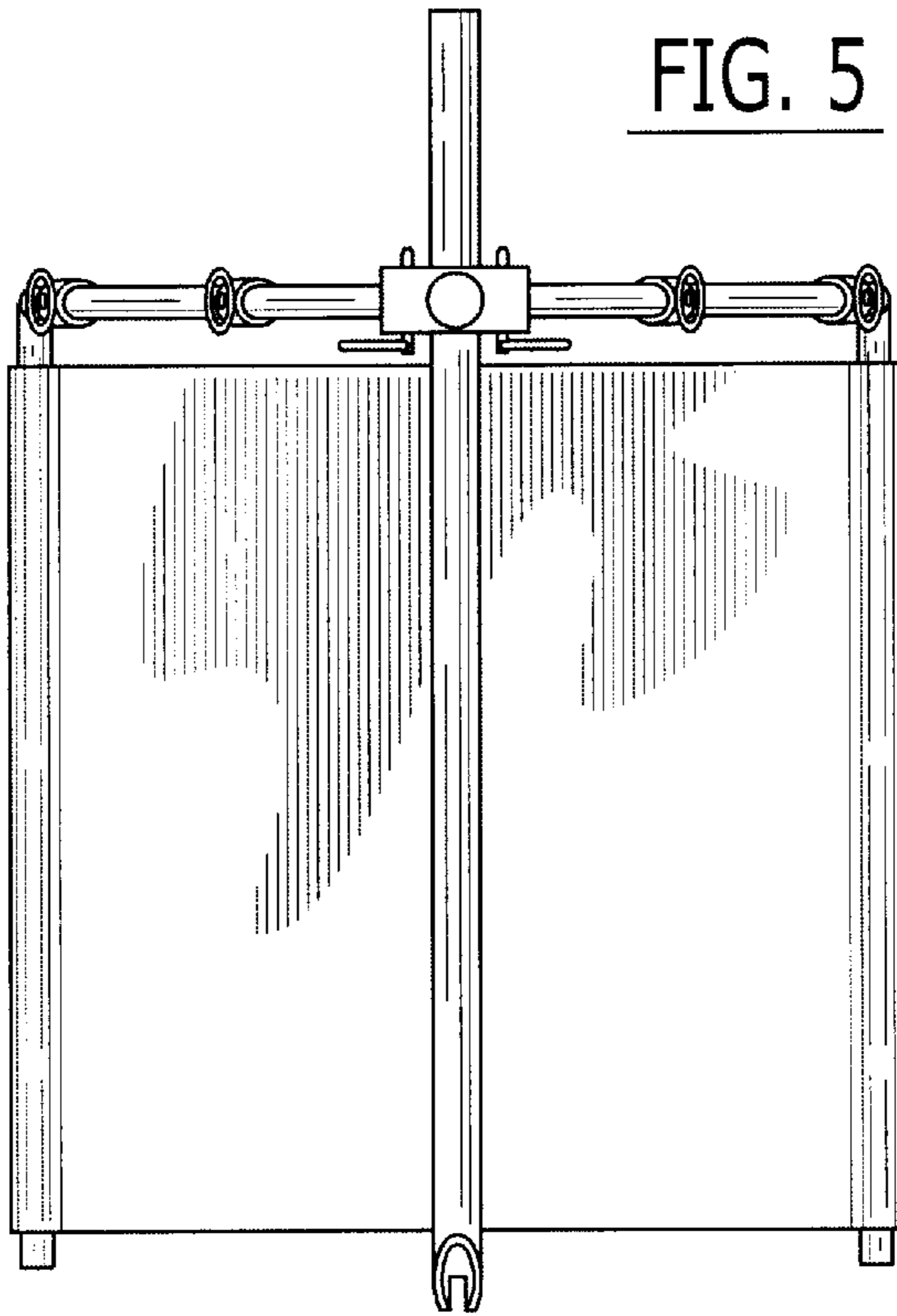
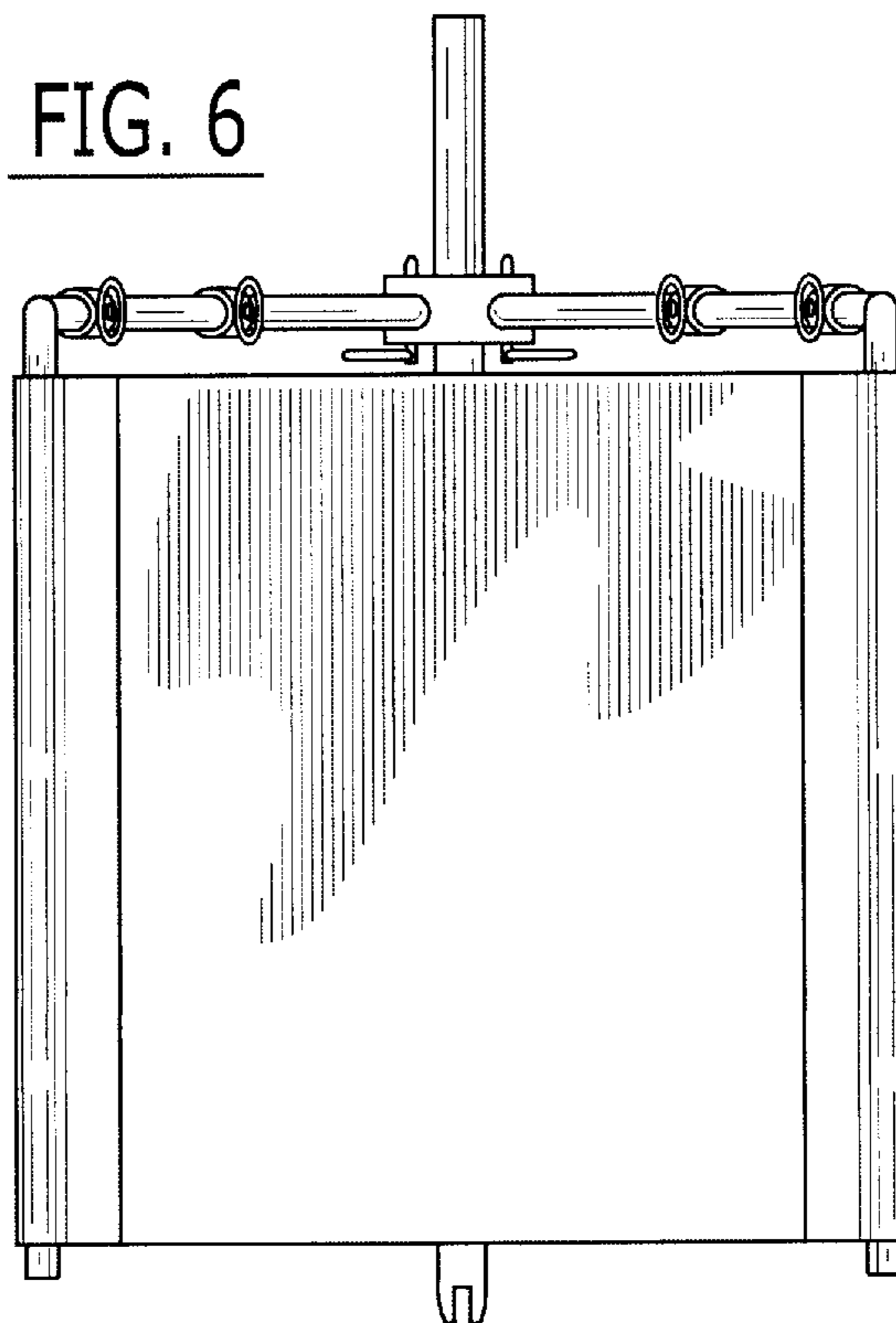


FIG. 6



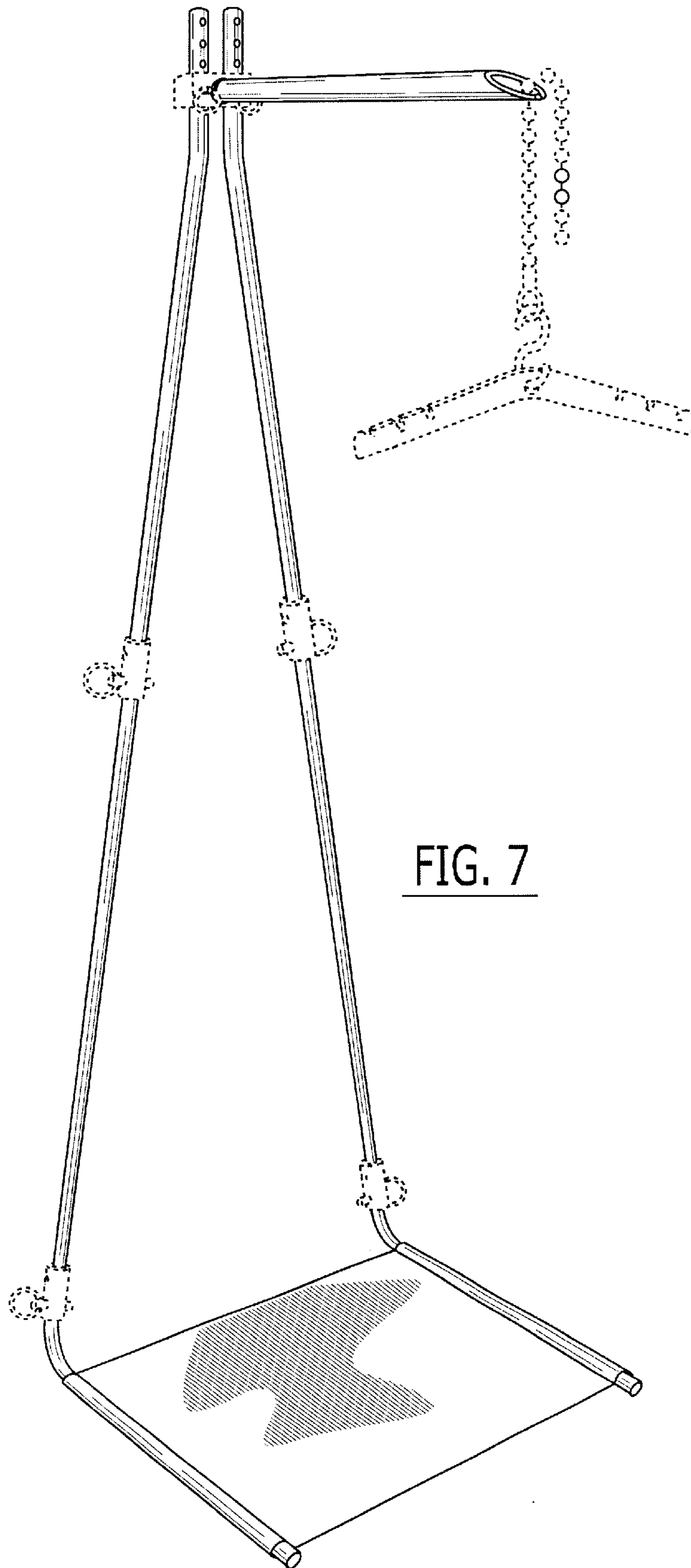


FIG. 7

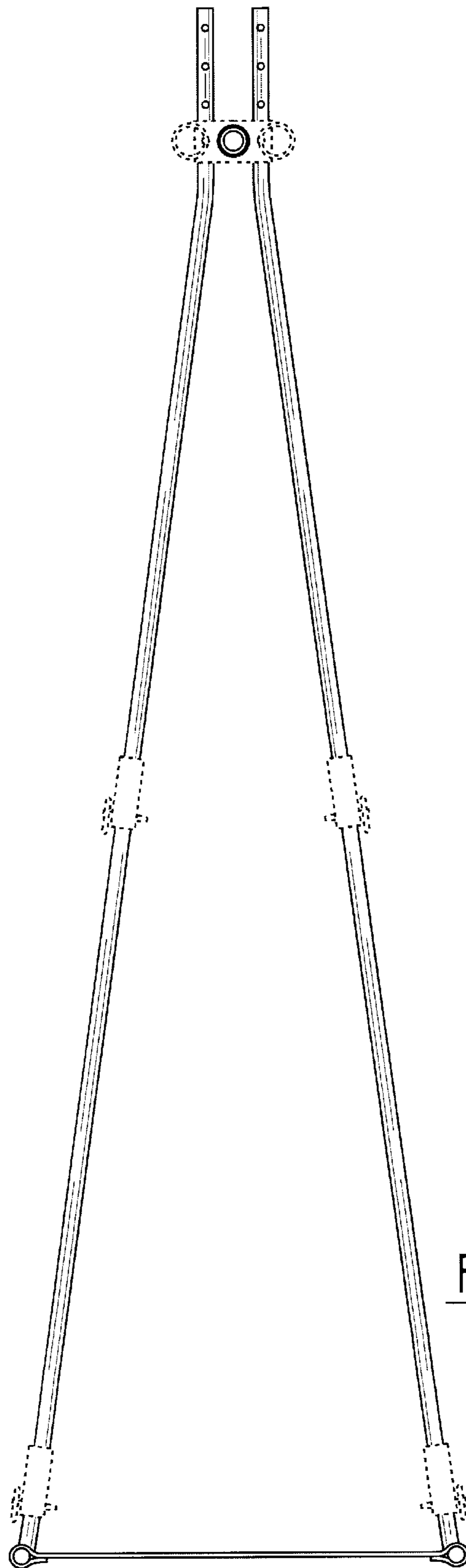


FIG. 8



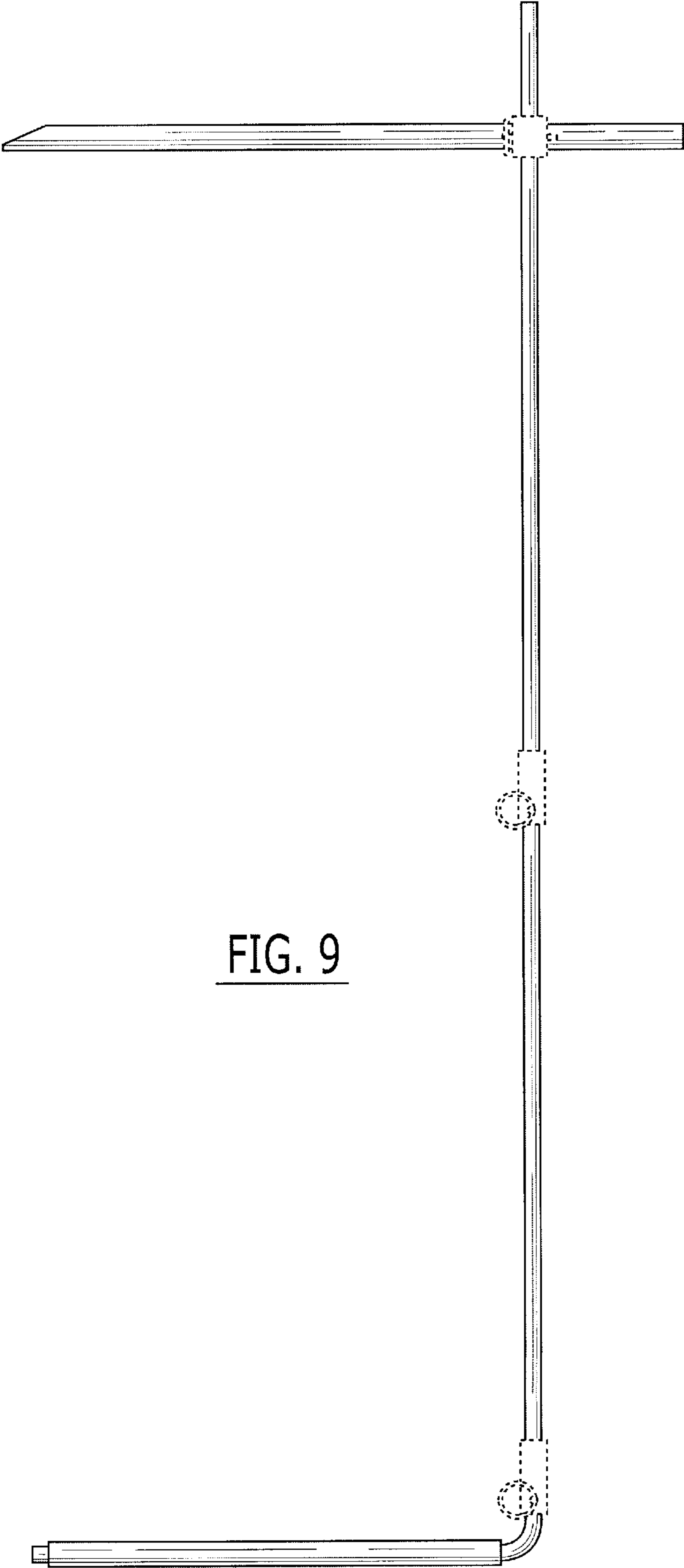


FIG. 9

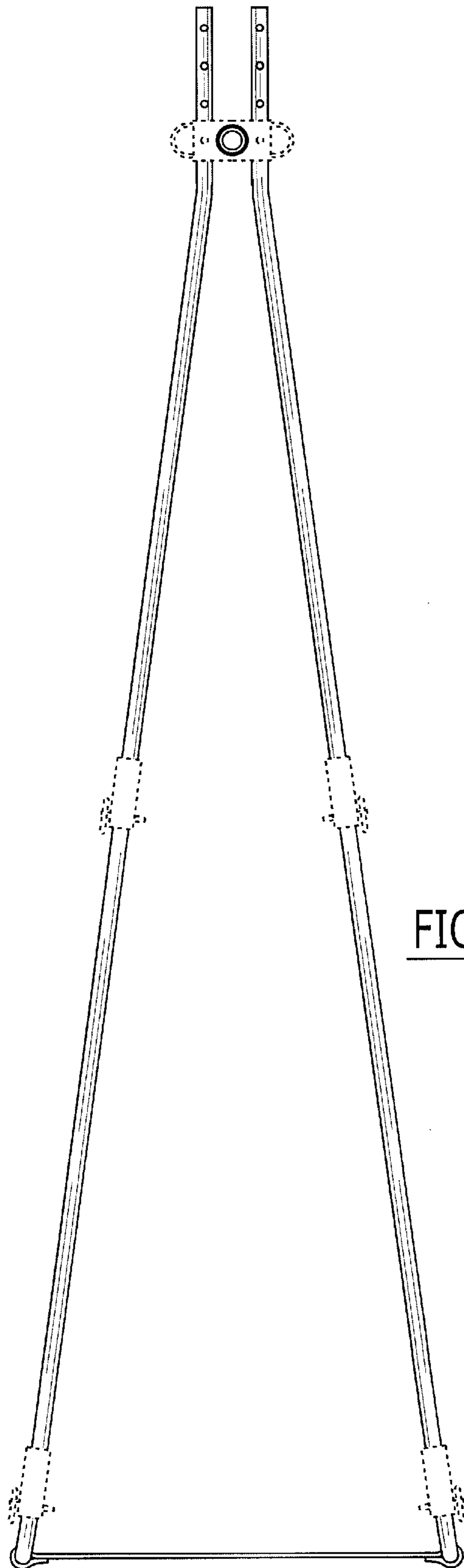


FIG. 10

FIG. 11

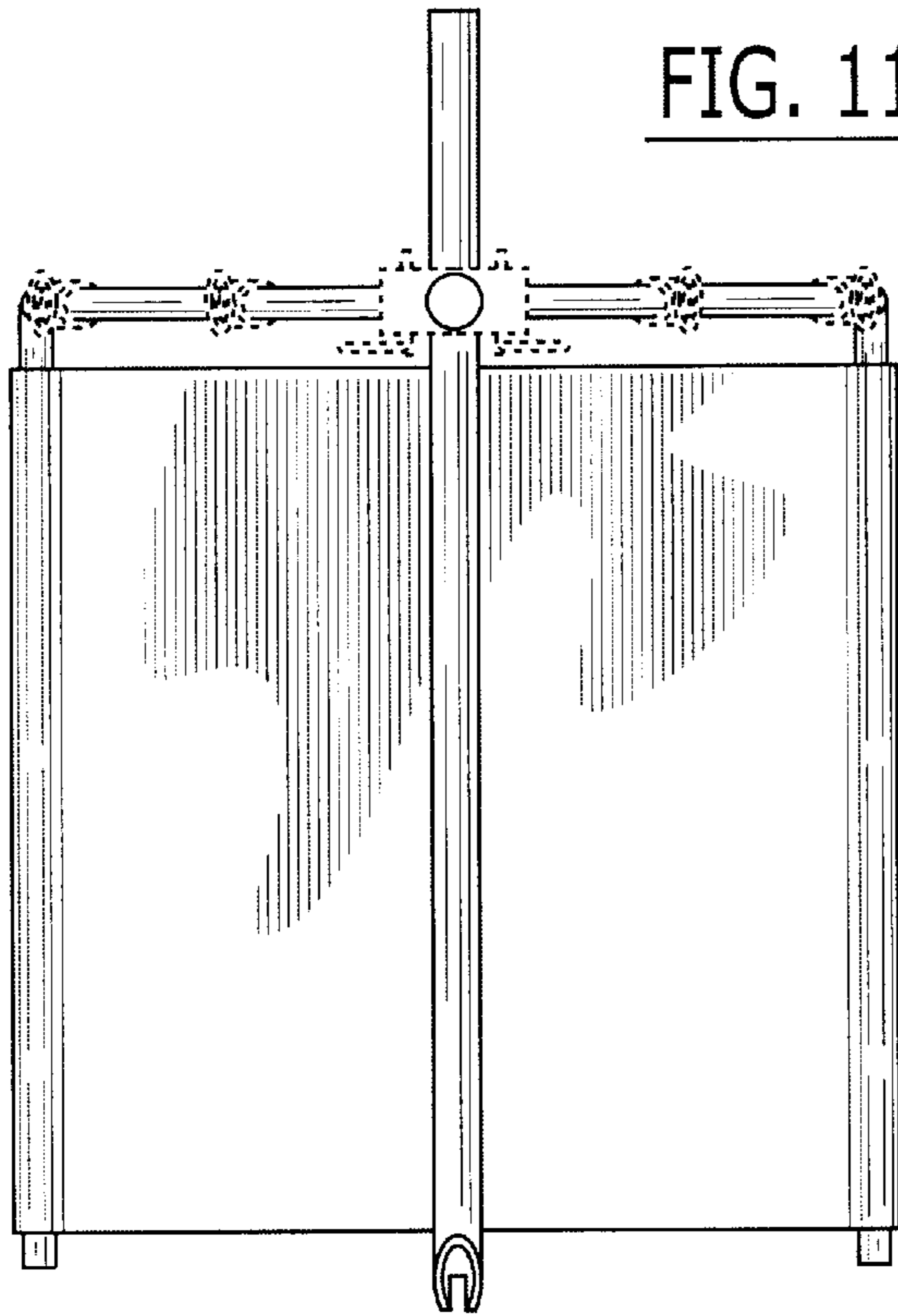


FIG. 12

