



US00D513435S

(12) **United States Design Patent**
Ediger

(10) **Patent No.:** **US D513,435 S**
(45) **Date of Patent:** **** Jan. 3, 2006**

(54) **PORTABLE FAN**

(75) Inventor: **Glen Wesley Ediger**, North Newton,
KS (US)

(73) Assignee: **Vornado Air Circulation Systems,**
Inc., Andover, KS (US)

(**) Term: **14 Years**

(21) Appl. No.: **29/212,186**

(22) Filed: **Aug. 27, 2004**

(51) **LOC (8) Cl.** **23-04**

(52) **U.S. Cl.** **D23/411**

(58) **Field of Classification Search** D23/370,
D23/379, 411, 413; 416/244 R, 247 R, 246 R,
416/63

See application file for complete search history.

(56) **References Cited**

U.S. PATENT DOCUMENTS

D104,259 S * 4/1937 Heller D23/382
6,409,475 B1 * 6/2002 Ho 416/63

* cited by examiner

Primary Examiner—Lisa Lichtenstein

(74) *Attorney, Agent, or Firm*—Stinson Morrison Hecker
LLP

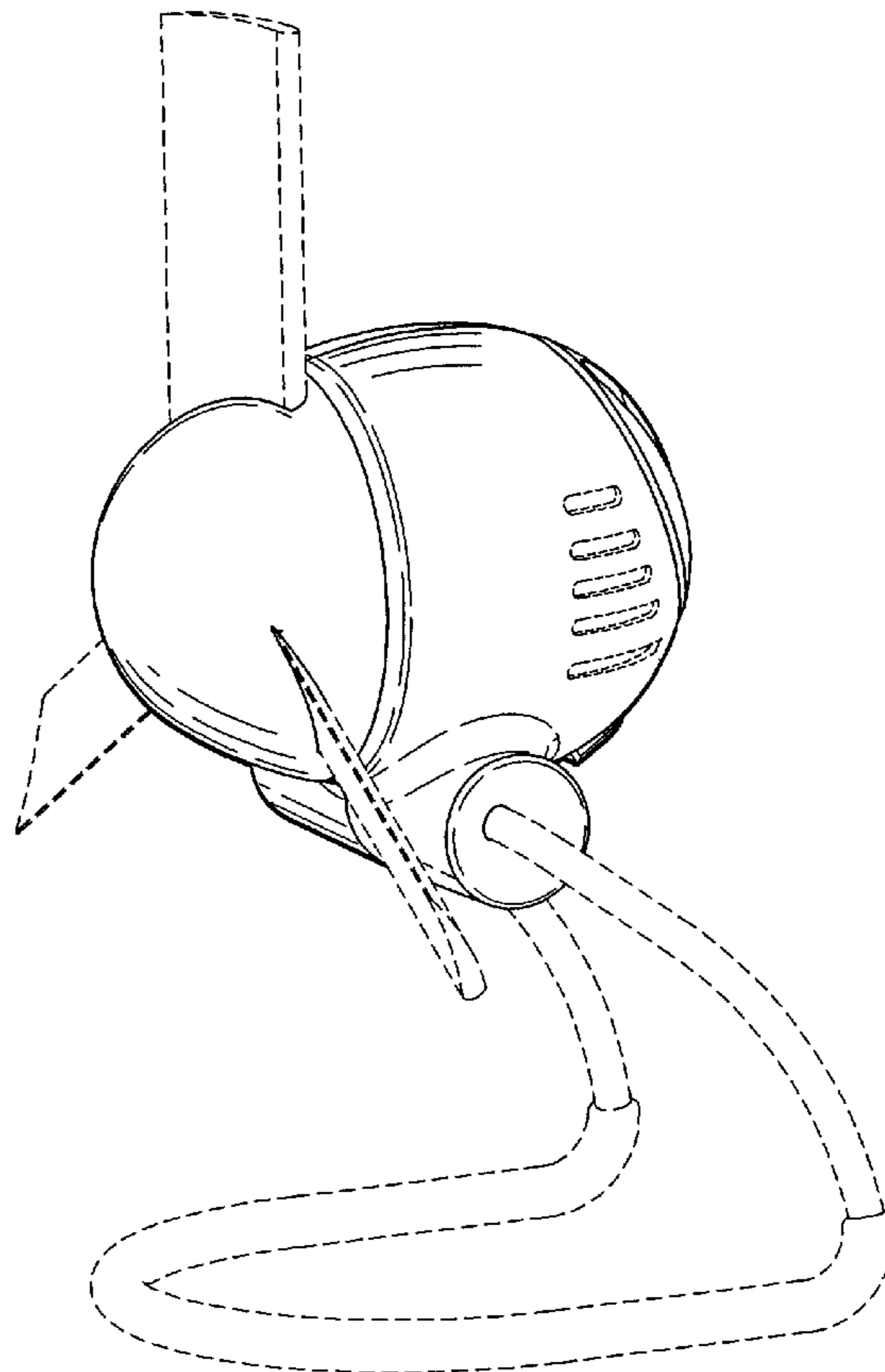
(57) **CLAIM**

The ornamental design for a portable fan, as shown and
described.

DESCRIPTION

FIG. 1 is a front left side perspective view of the portable
fan;
FIG. 2 is a front elevational view of the portable fan of FIG.
1;
FIG. 3 is a rear elevational view of the portable fan of FIG.
1;
FIG. 4 is a left side elevational view of the portable fan of
FIG. 1;
FIG. 5 is a right side elevational view of the portable fan of
FIG. 1;
FIG. 6 is a top plan view of the portable fan of FIG. 1; and,
FIG. 7 is a bottom plan view of the portable fan of FIG. 1.
The broken line showing of environmental structure is for
illustrative purposes only and forms no part of the claimed
design.

1 Claim, 6 Drawing Sheets



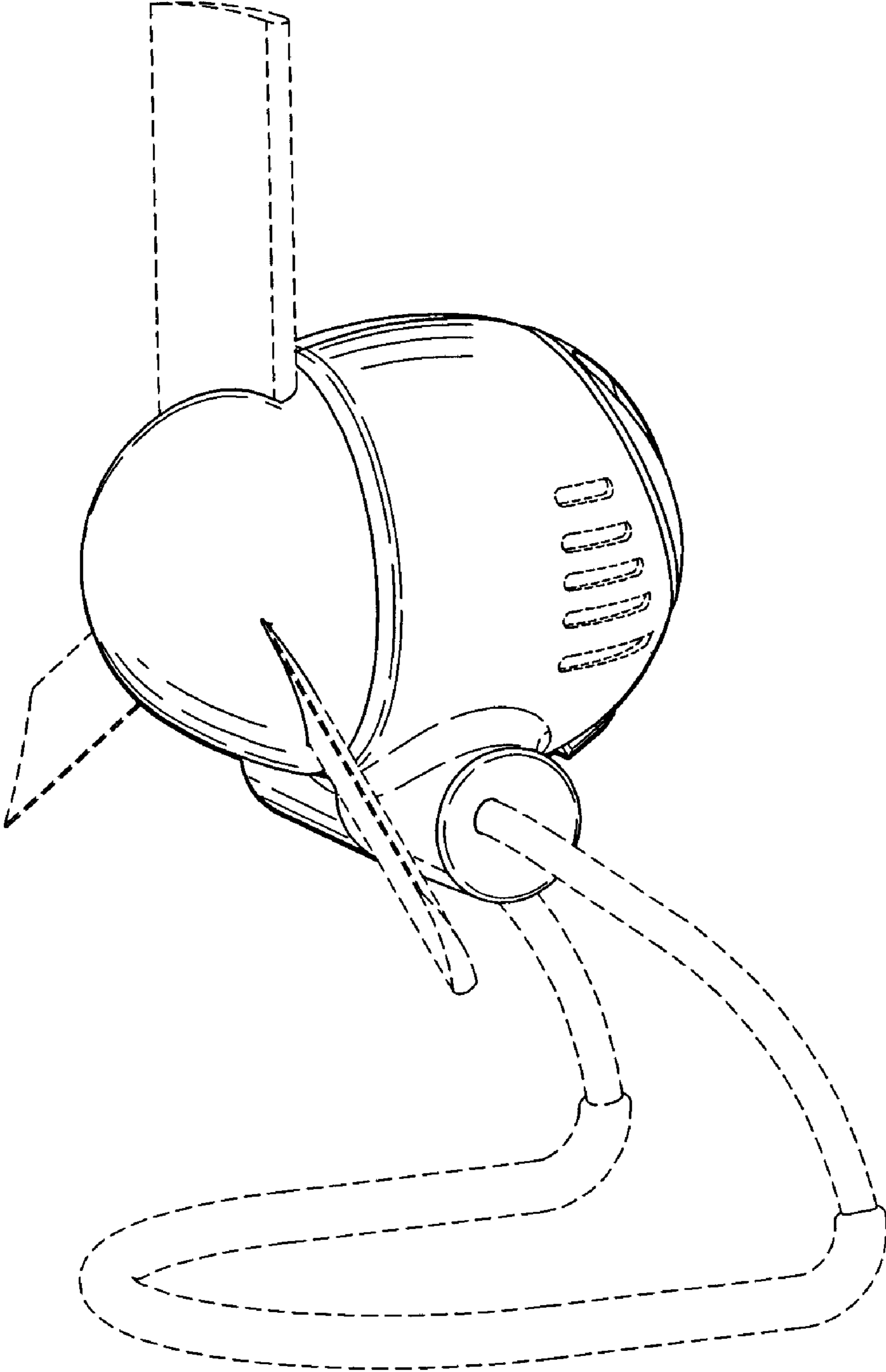


FIG. 1

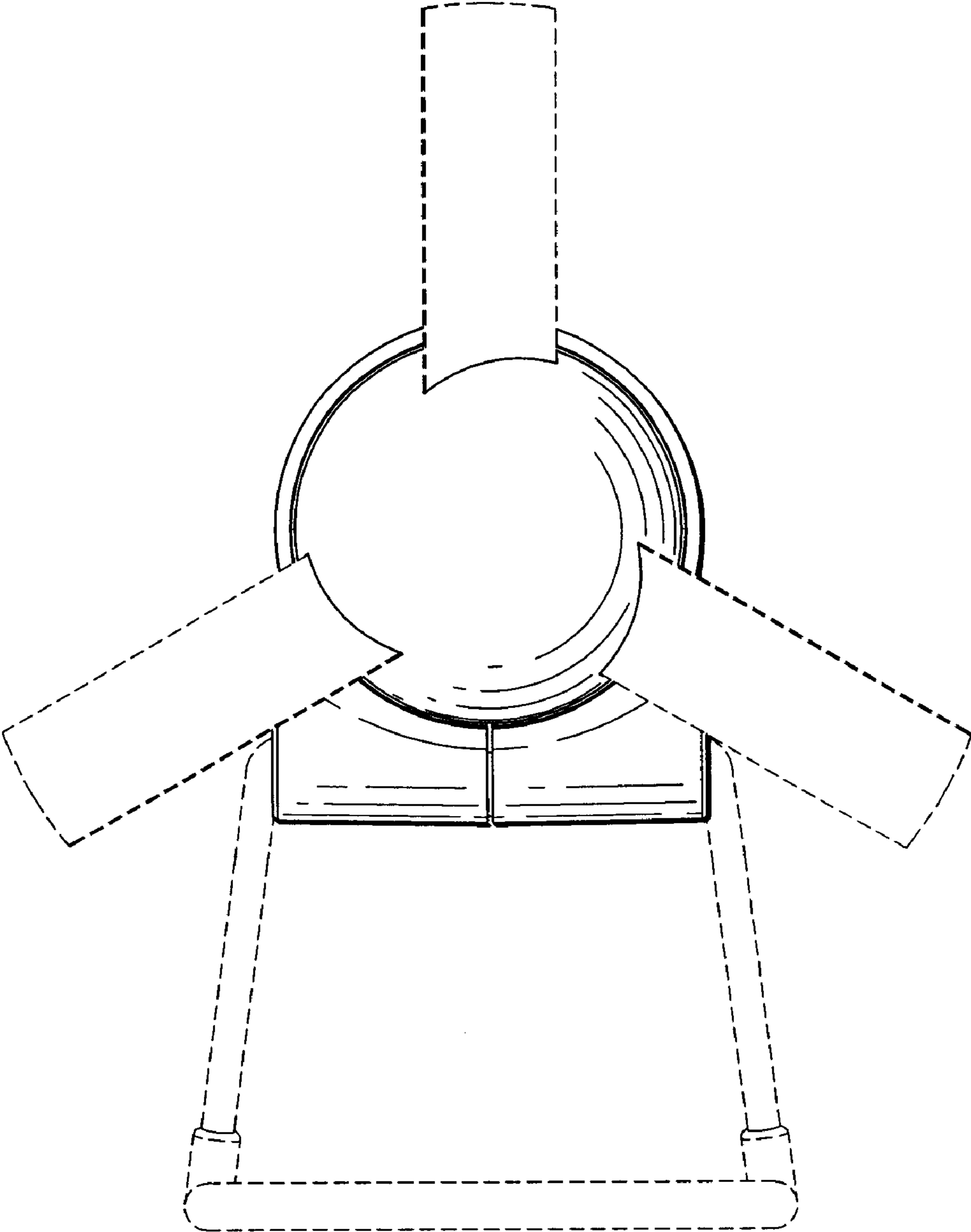


FIG. 2

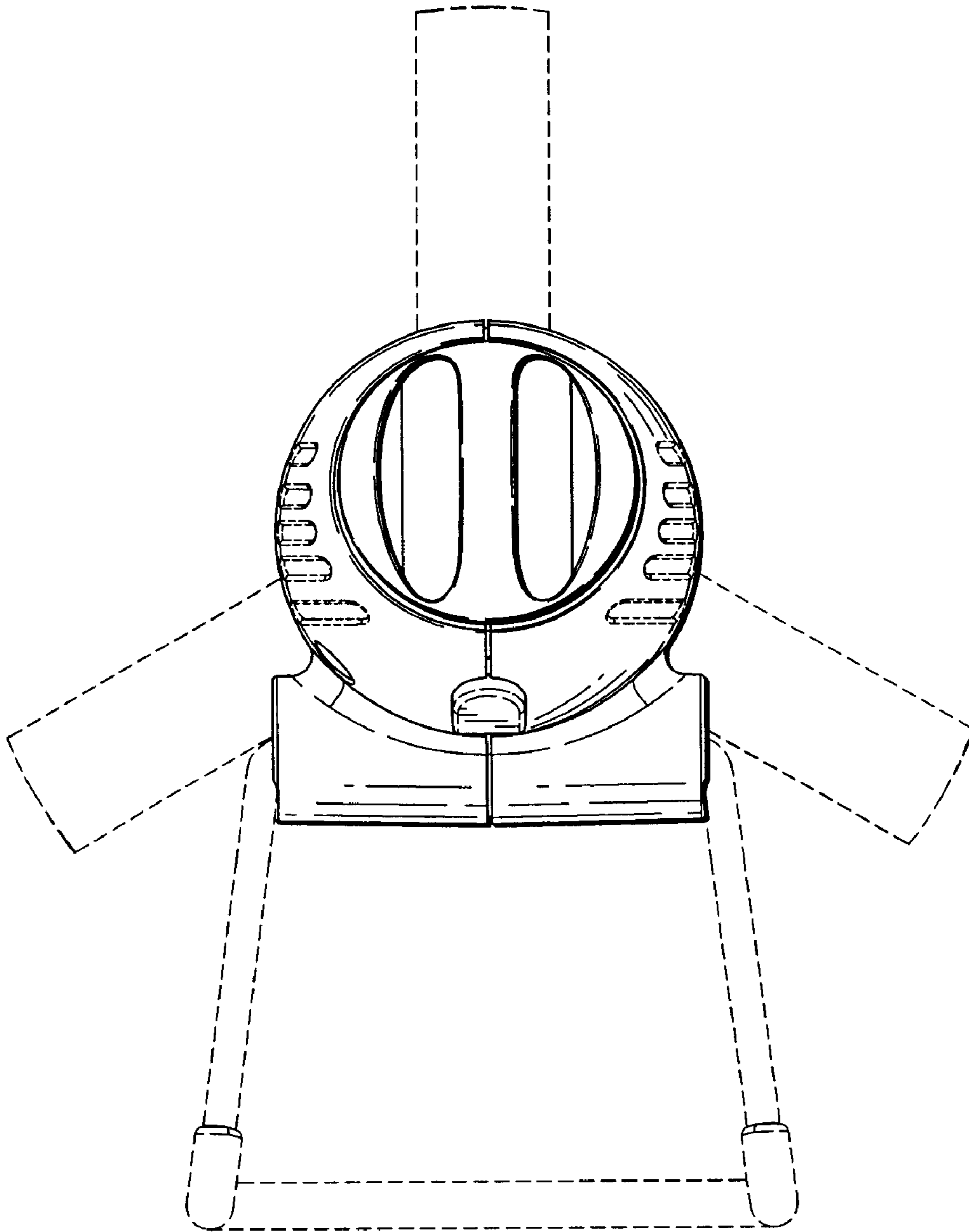


FIG. 3

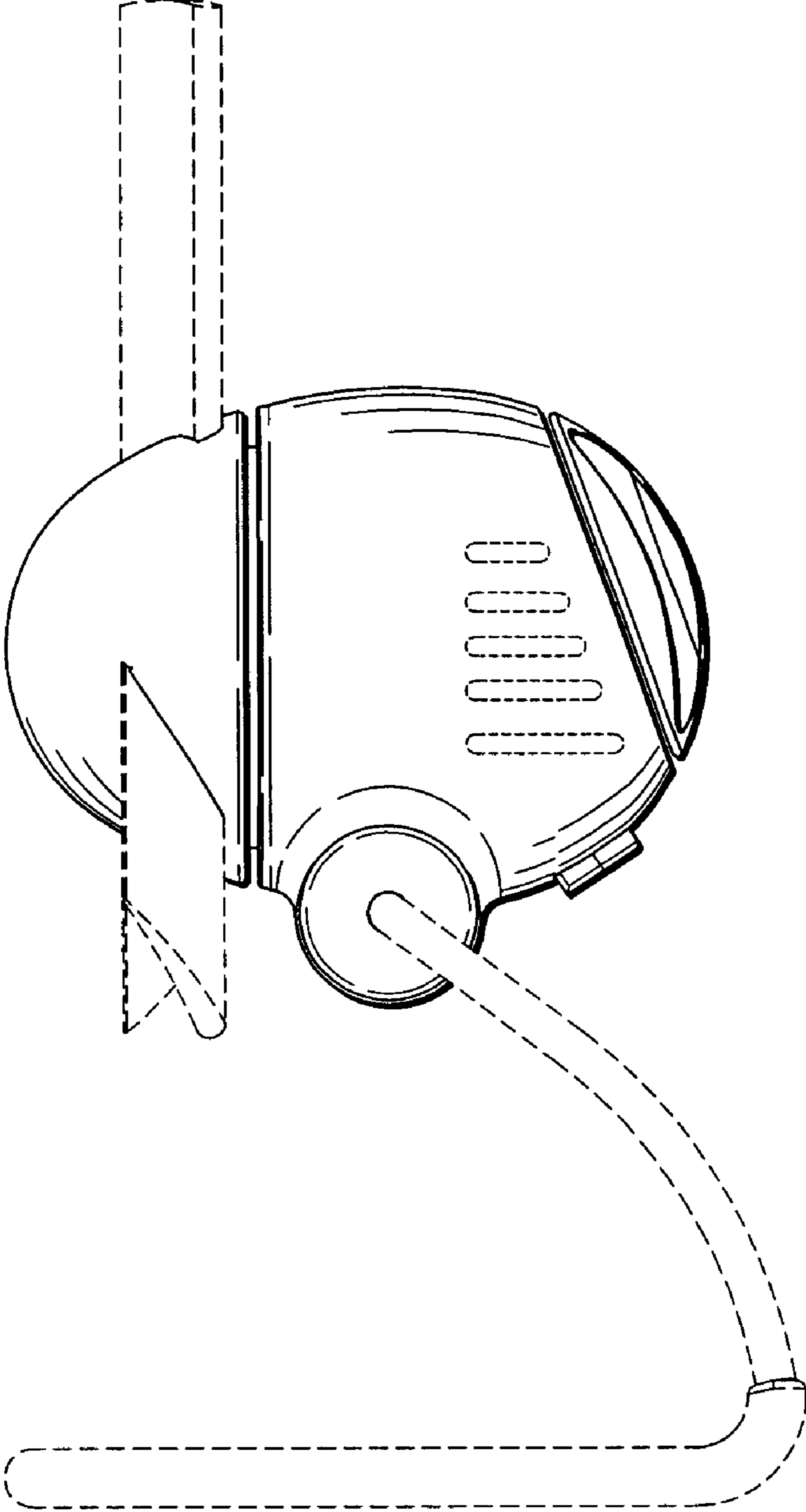


FIG. 4

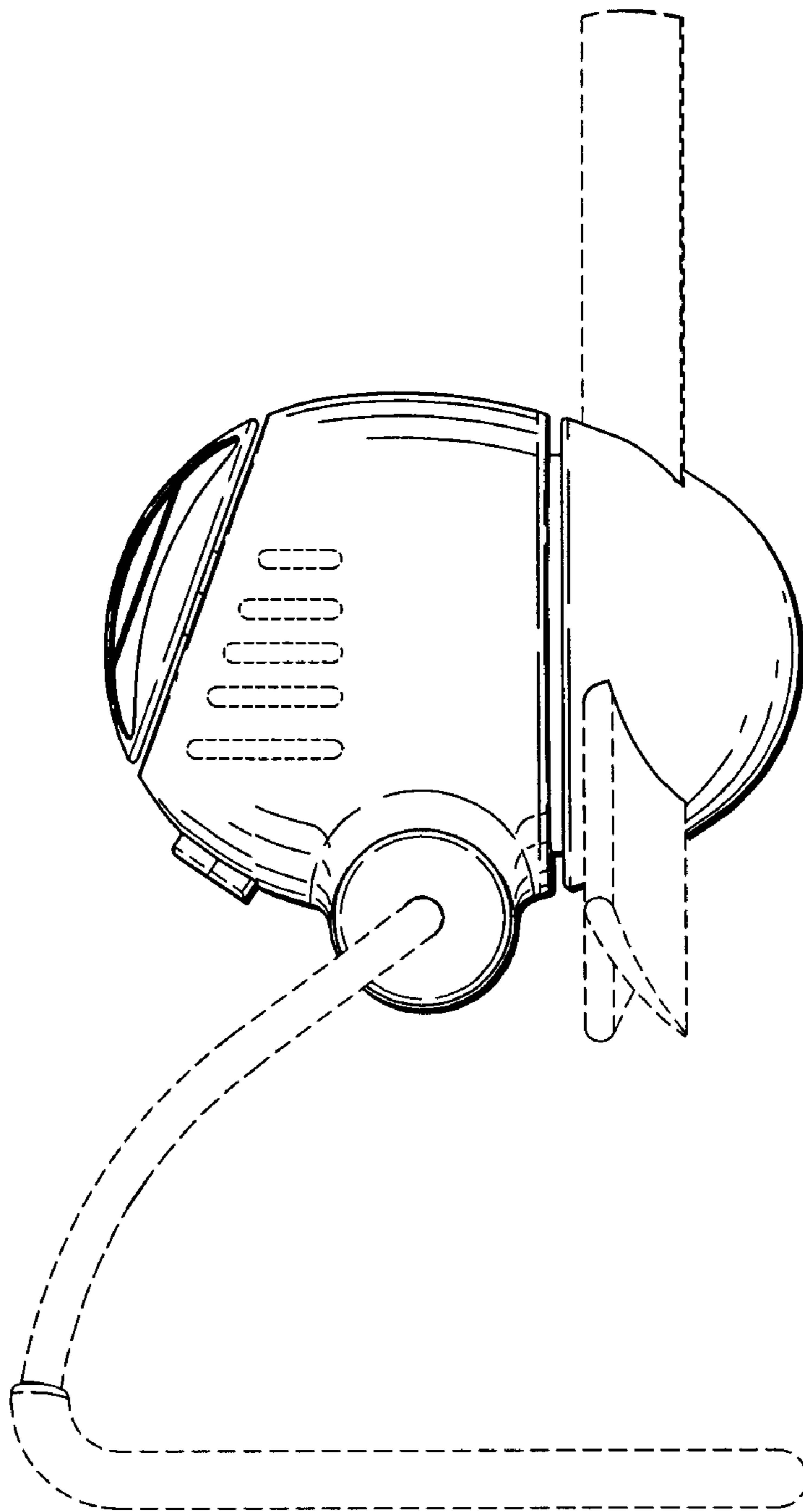


FIG. 5

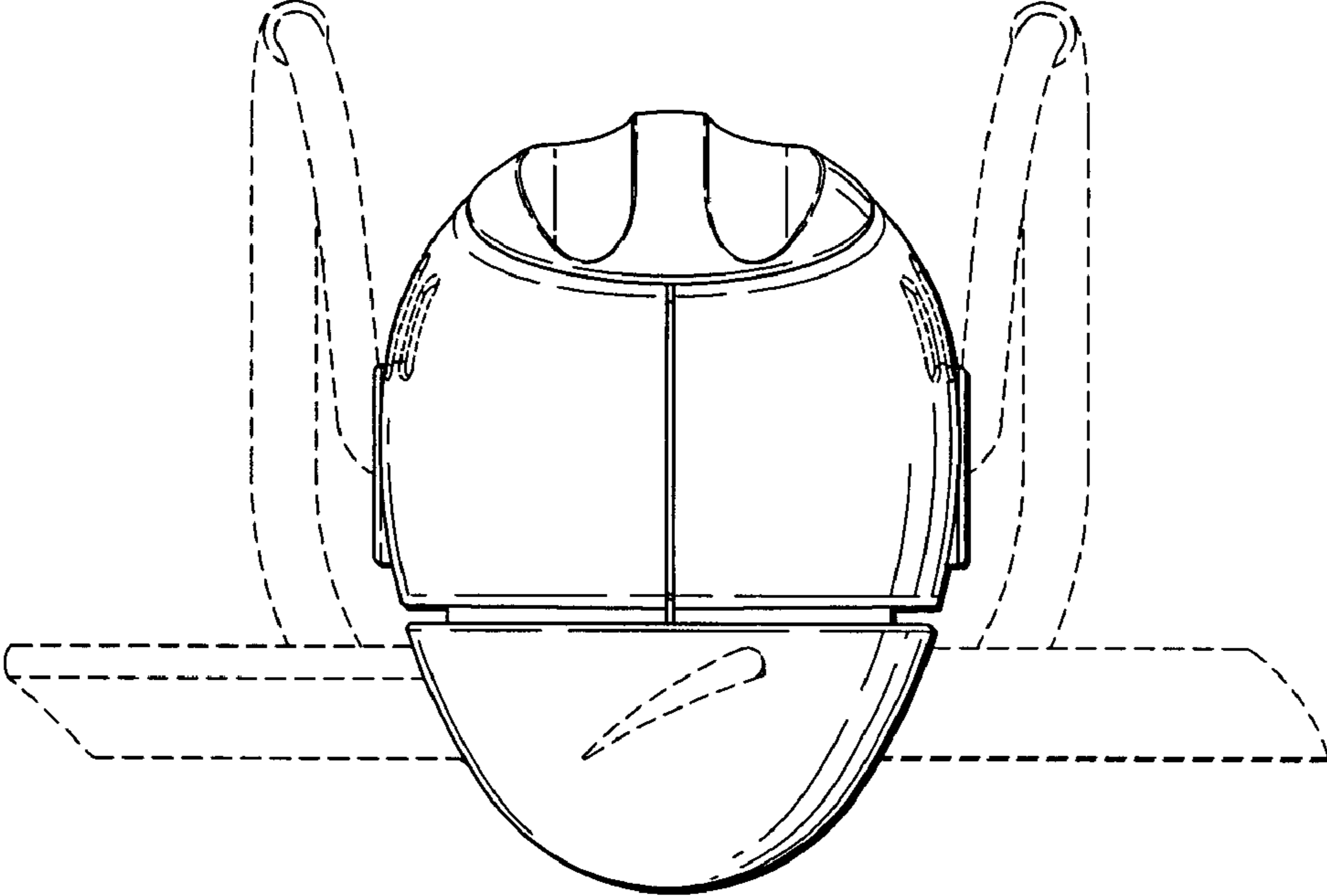


FIG. 6

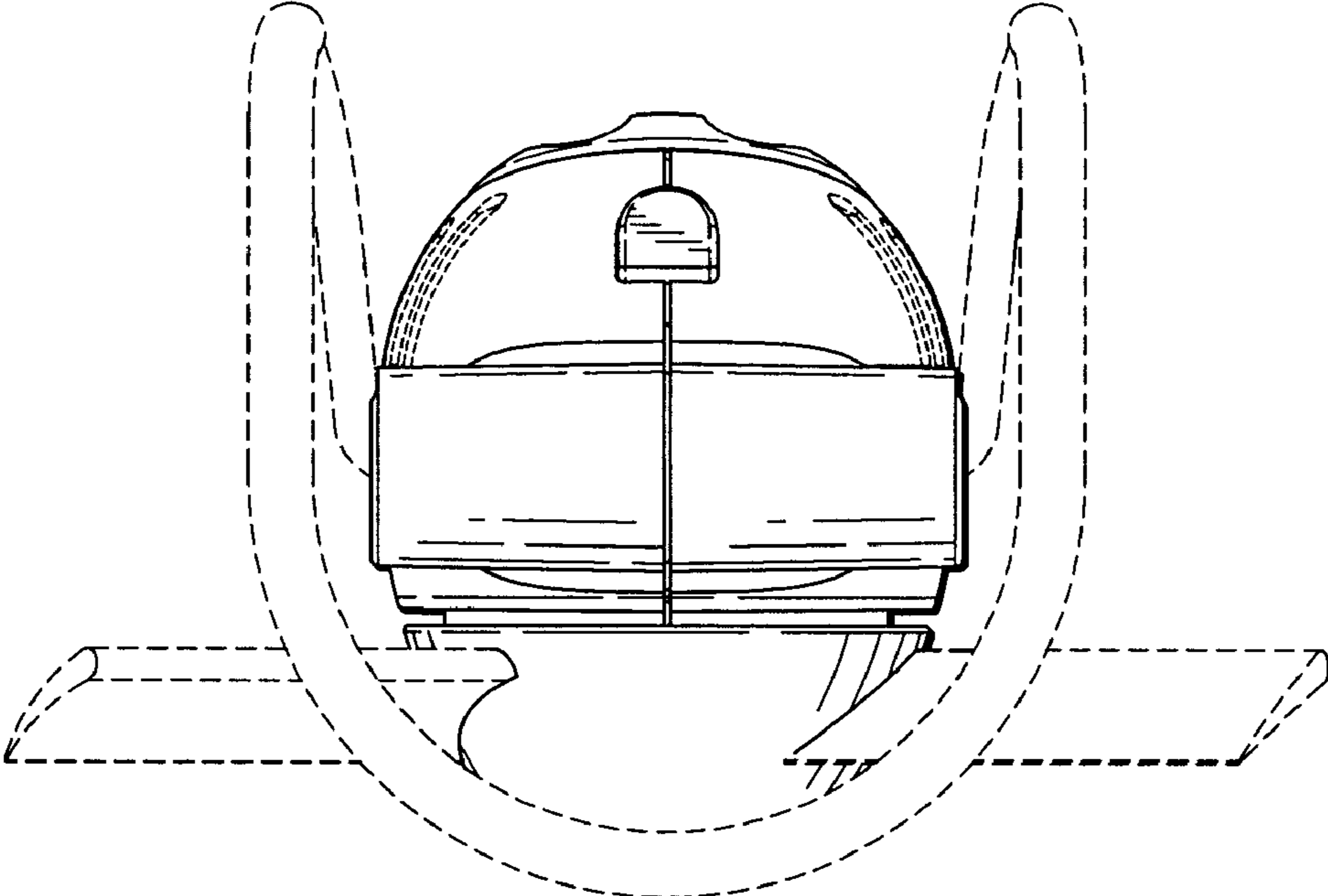


FIG. 7