



US00D513434S

(12) **United States Design Patent**
Melwani

(10) **Patent No.:** **US D513,434 S**
(45) **Date of Patent:** **** Jan. 3, 2006**

(54) **ELECTRIC FAN**

D459,460 S * 6/2002 Melwani D23/370
D485,895 S * 1/2004 Melwani D23/370

(75) Inventor: **Ravin G. Melwani**, Hong Kong (CN)

* cited by examiner

(73) Assignee: **B.K. Rekhatex (H.K.) Ltd.**, Kowloon (HK)

Primary Examiner—Lisa Lichtenstein
(74) *Attorney, Agent, or Firm*—Alix, Yale & Rista, LLP

(**) Term: **14 Years**

(57) **CLAIM**

(21) Appl. No.: **29/204,720**

The ornamental design for an electric fan, as shown and described.

(22) Filed: **May 3, 2004**

DESCRIPTION

(51) **LOC (8) Cl.** **23-04**

(52) **U.S. Cl.** **D23/379**

(58) **Field of Classification Search** D23/382,
D23/381, 379, 370; 416/247 R, 246

See application file for complete search history.

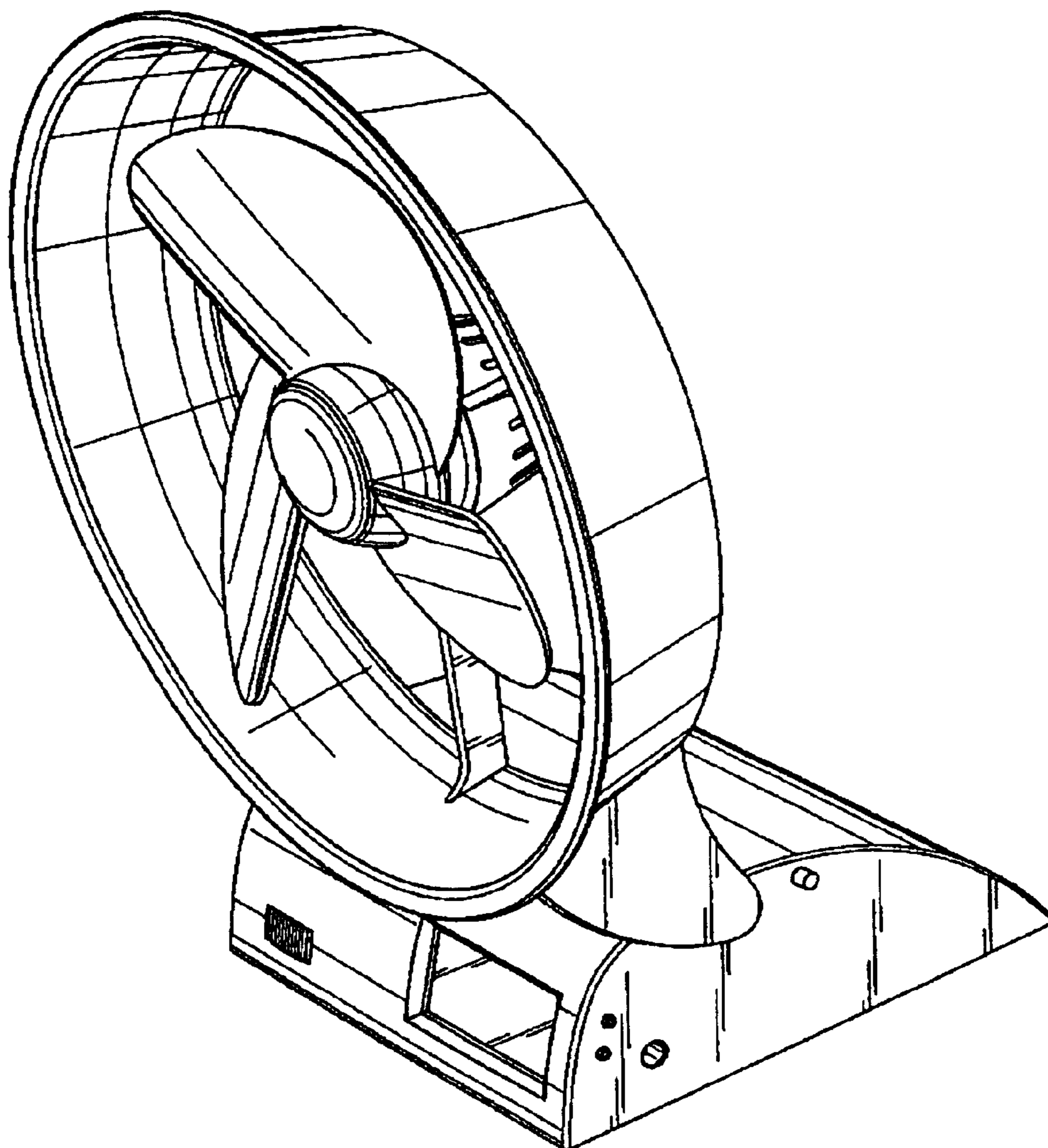
FIG. 1 is a front, right side and top perspective view of an electric fan showing my new design;
FIG. 2 is a front elevational view thereof;
FIG. 3 is a top plan view thereof;
FIG. 4 is a right side elevational view thereof;
FIG. 5 is a left side elevational view thereof;
FIG. 6 is a rear elevational view thereof; and,
FIG. 7 is a bottom plan view thereof.

(56) **References Cited**

U.S. PATENT DOCUMENTS

D458,361 S * 6/2002 Melwani D23/379

1 Claim, 4 Drawing Sheets



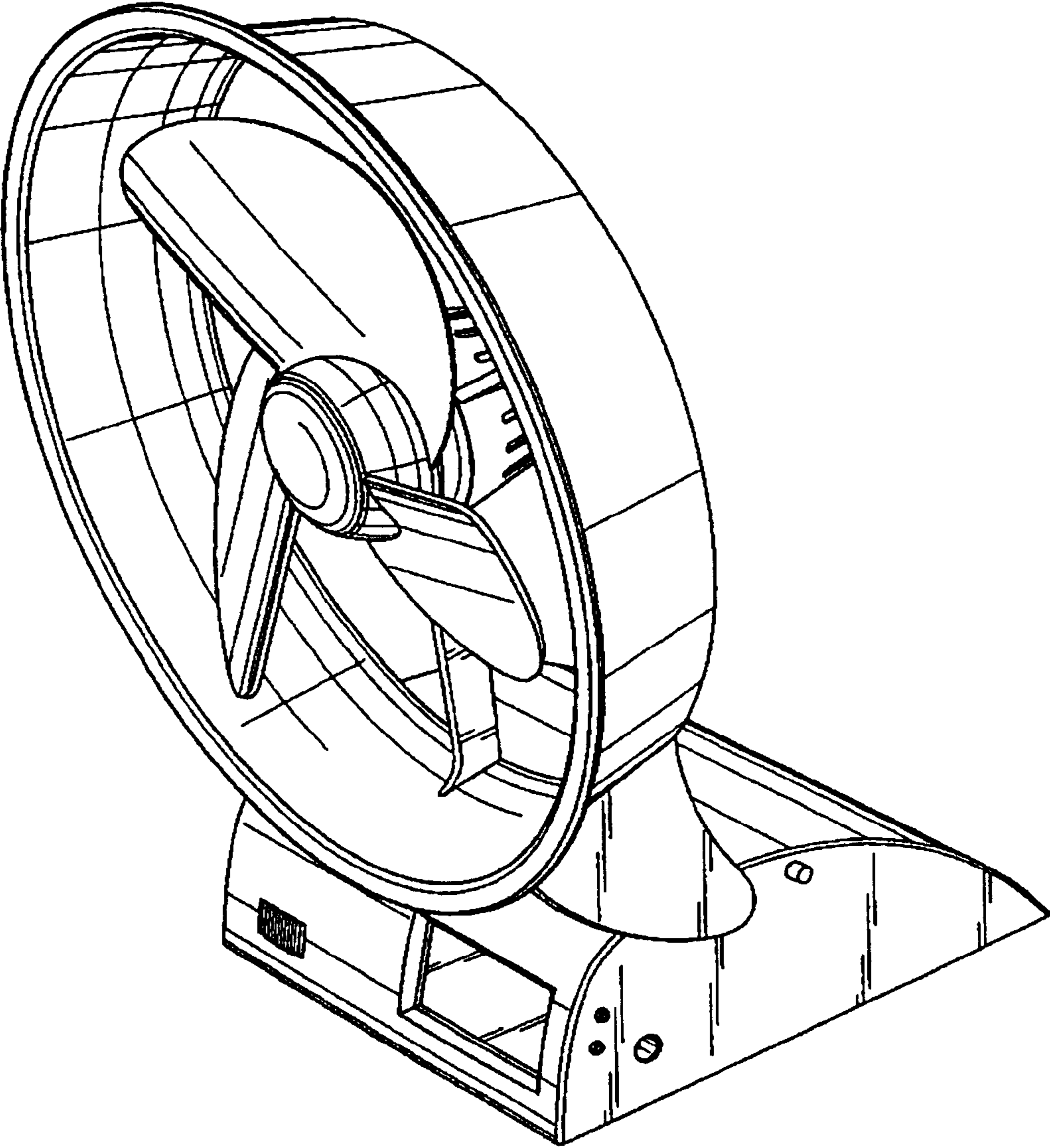


FIG. 1

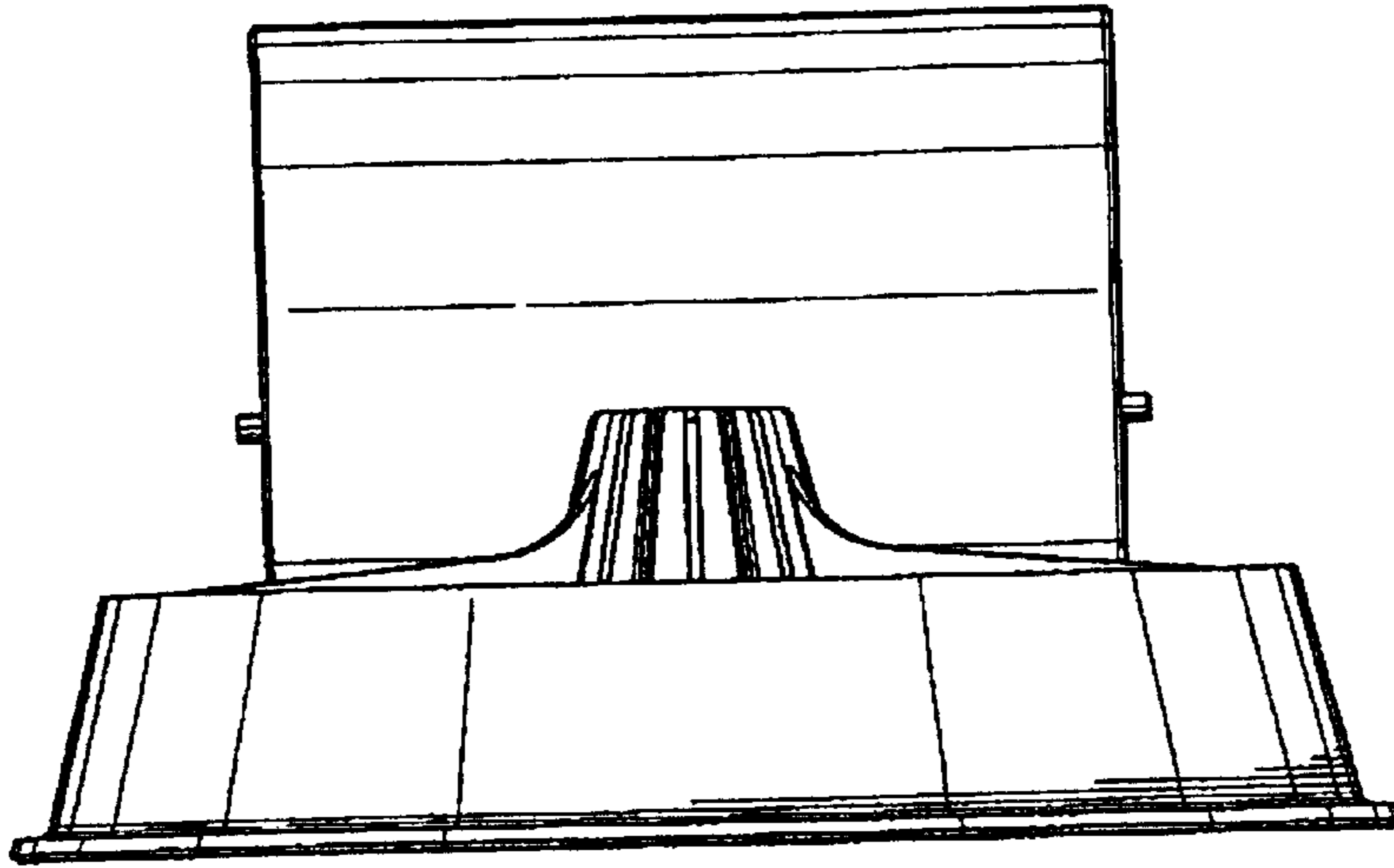


FIG. 3

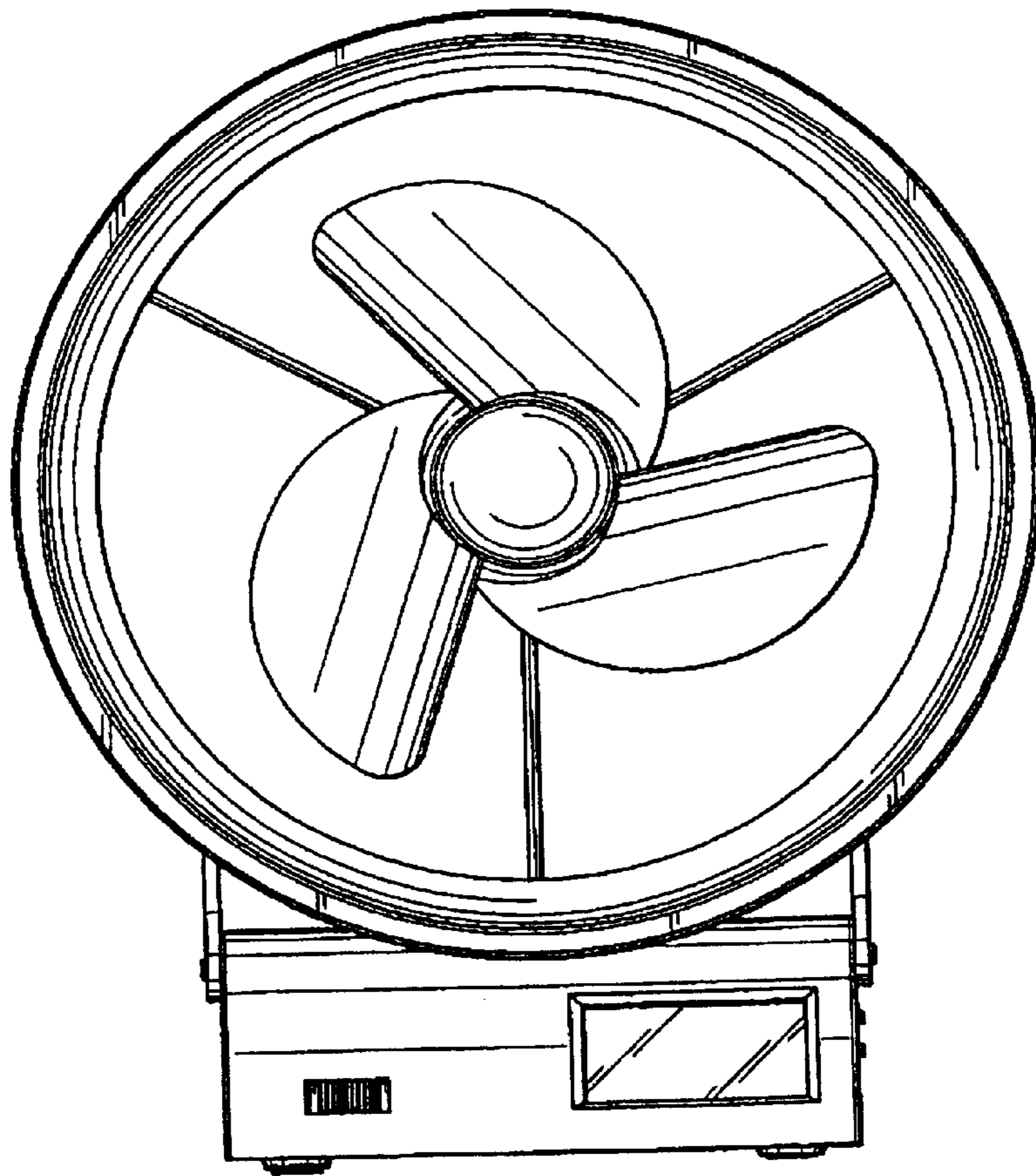


FIG. 2

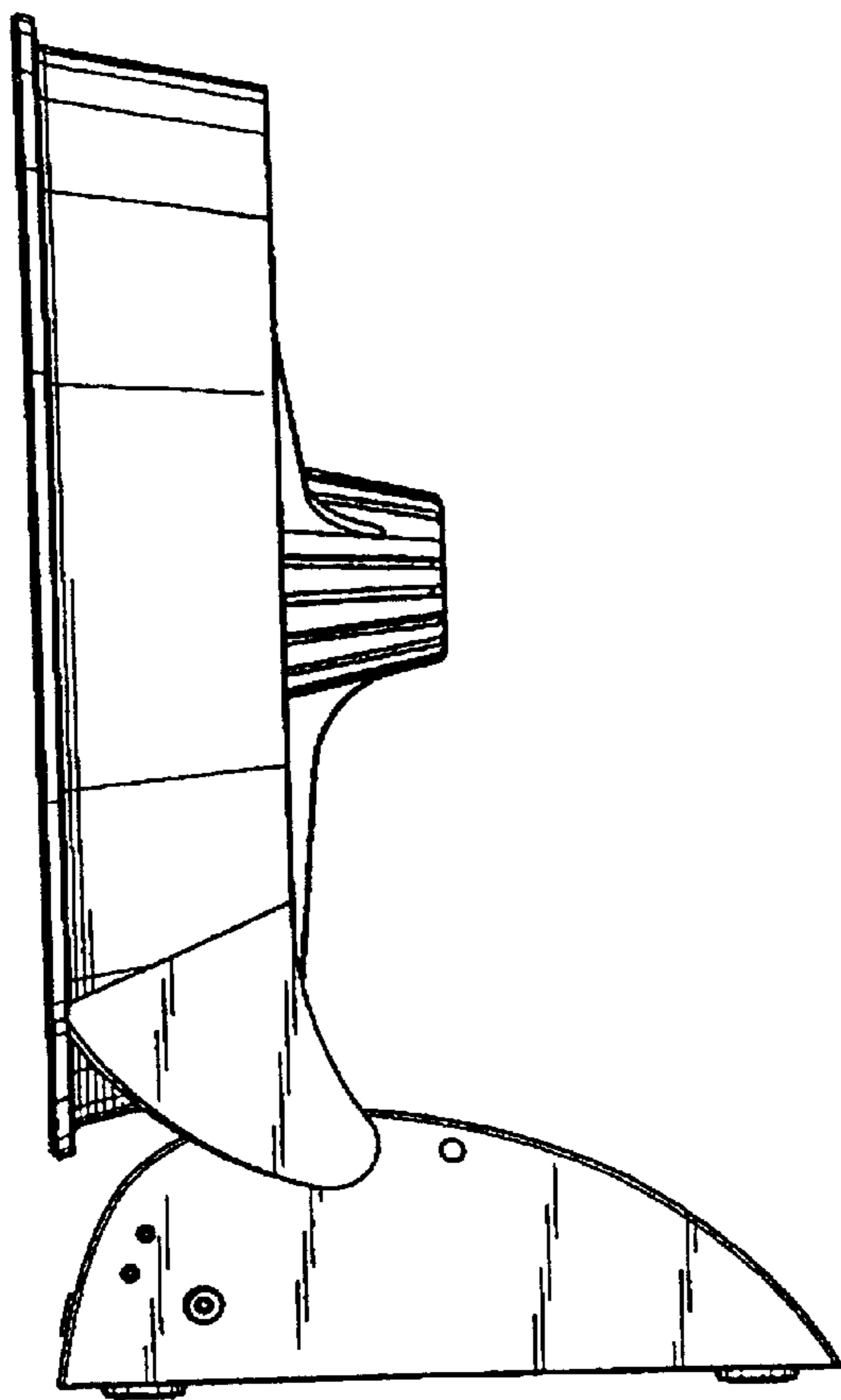


FIG. 4

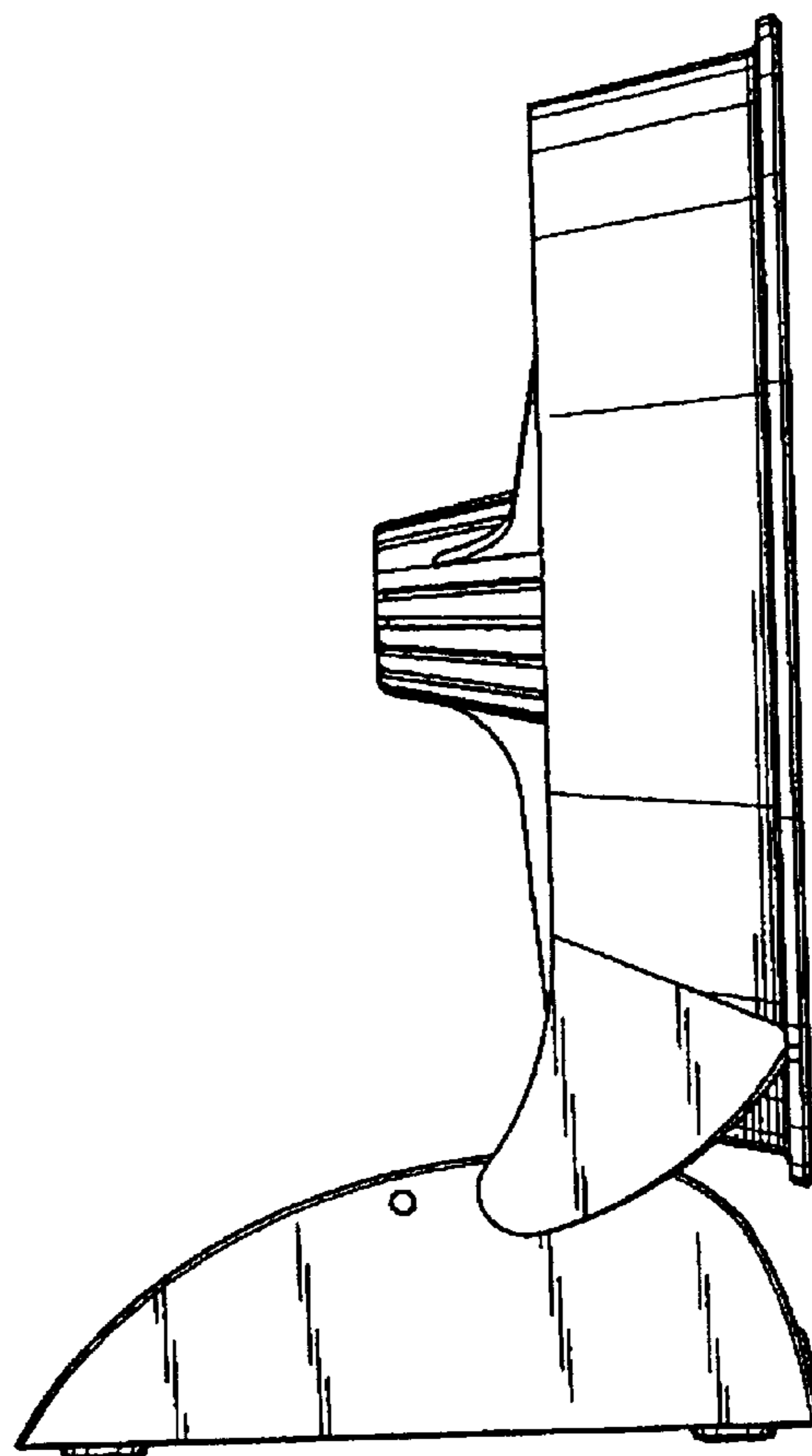


FIG. 5

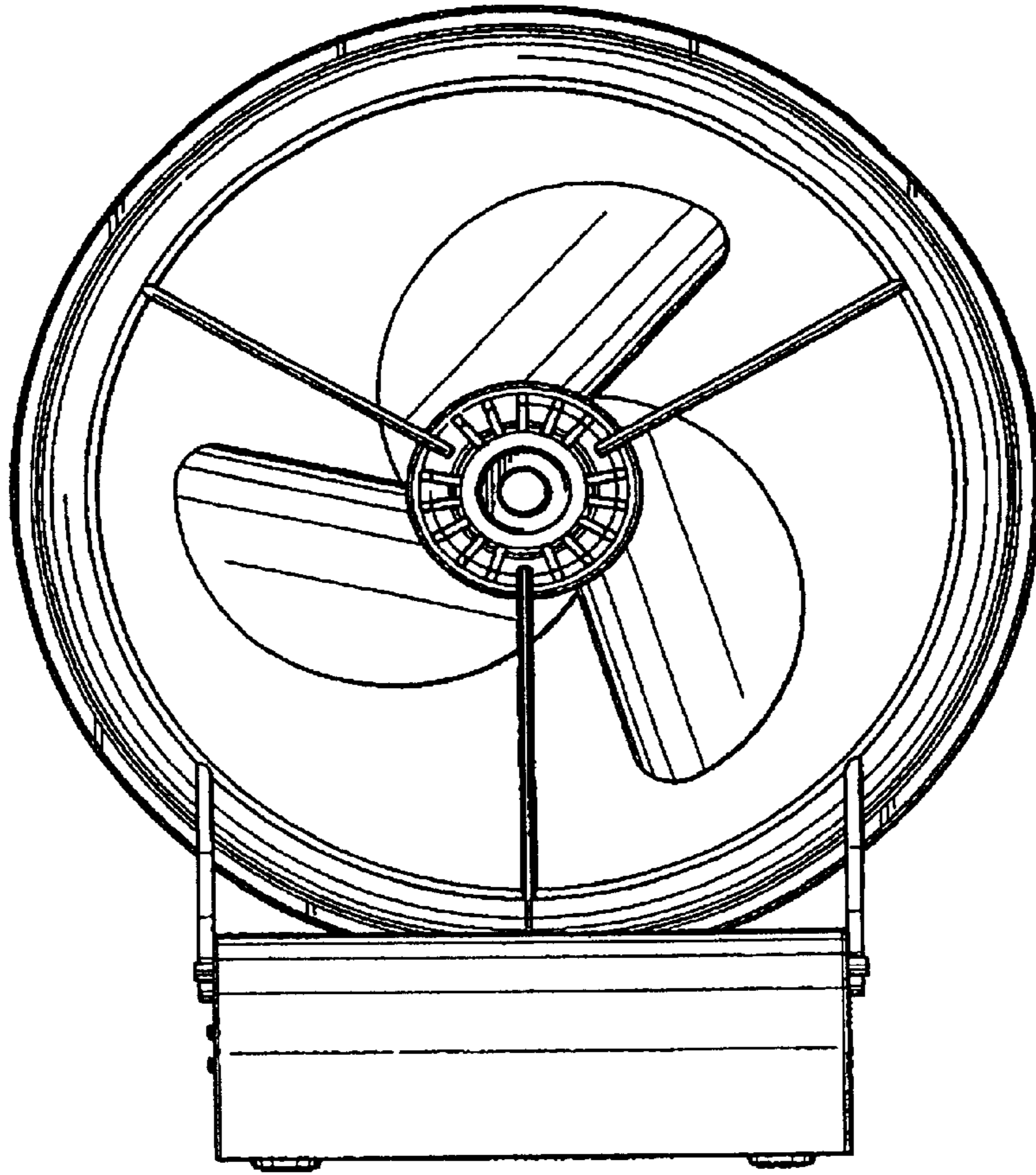


FIG. 6

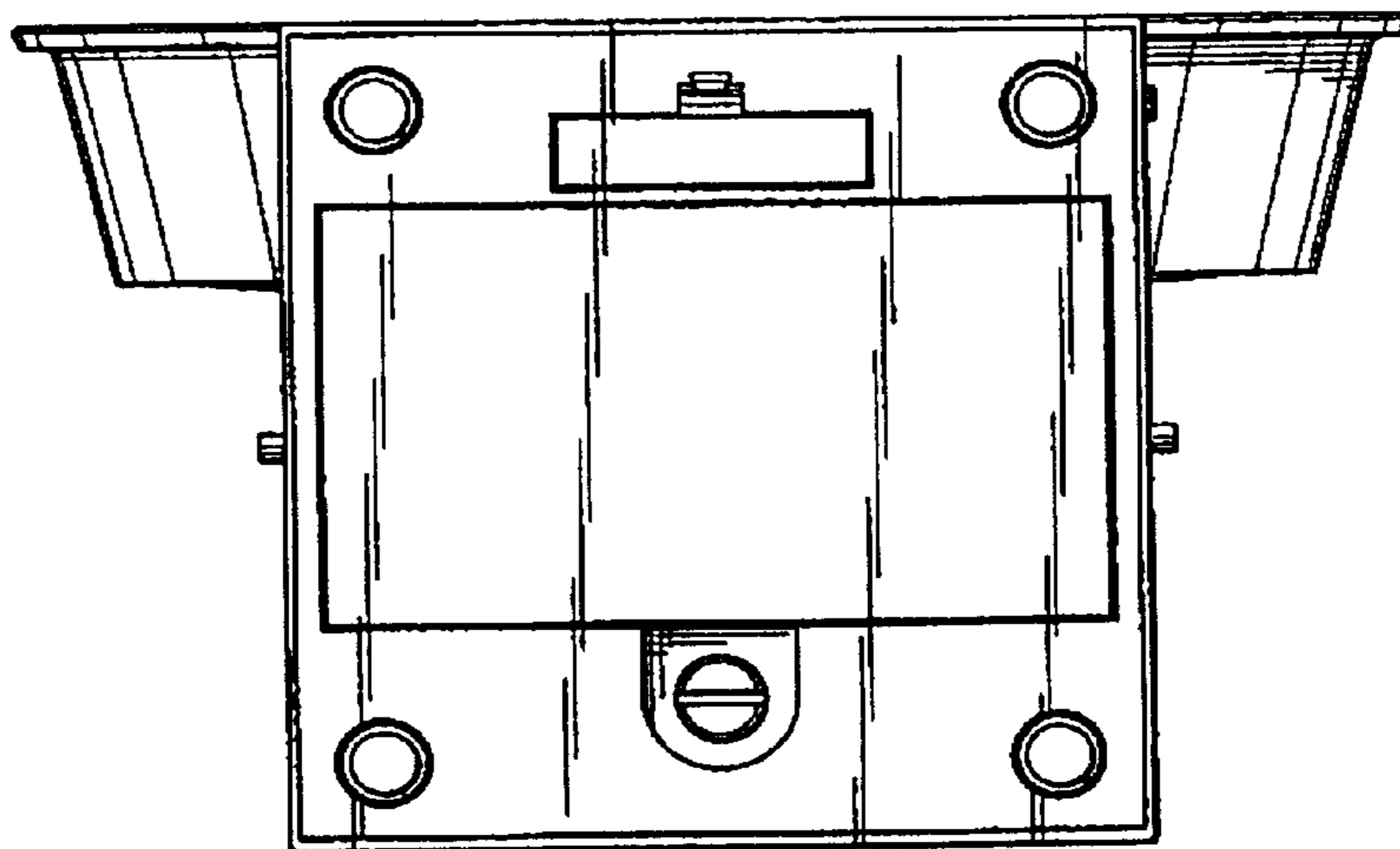


FIG. 7