



US00D513432S

(12) **United States Design Patent**
Nakamura

(10) **Patent No.:** **US D513,432 S**
(45) **Date of Patent:** **** Jan. 3, 2006**

(54) **AIR CLEANER**

D503,787 S * 4/2005 Koike D23/364

(75) **Inventor:** **Junji Nakamura, Kusatsu (JP)**

* cited by examiner

(73) **Assignee:** **Daikin Industries Ltd., Osaka (JP)**

Primary Examiner—Robin V. Taylor
(74) *Attorney, Agent, or Firm*—Manabu Kanesaka

(**) **Term:** **14 Years**

(57) **CLAIM**

(21) **Appl. No.:** **29/210,226**

The ornamental design for an air cleaner, as shown and described.

(22) **Filed:** **Jul. 29, 2004**

(51) **LOC (8) Cl.** **23-04**

(52) **U.S. Cl.** **D23/364**

(58) **Field of Classification Search** D23/355,
D23/356, 364, 365; 55/467, 471, 472, 356
See application file for complete search history.

DESCRIPTION

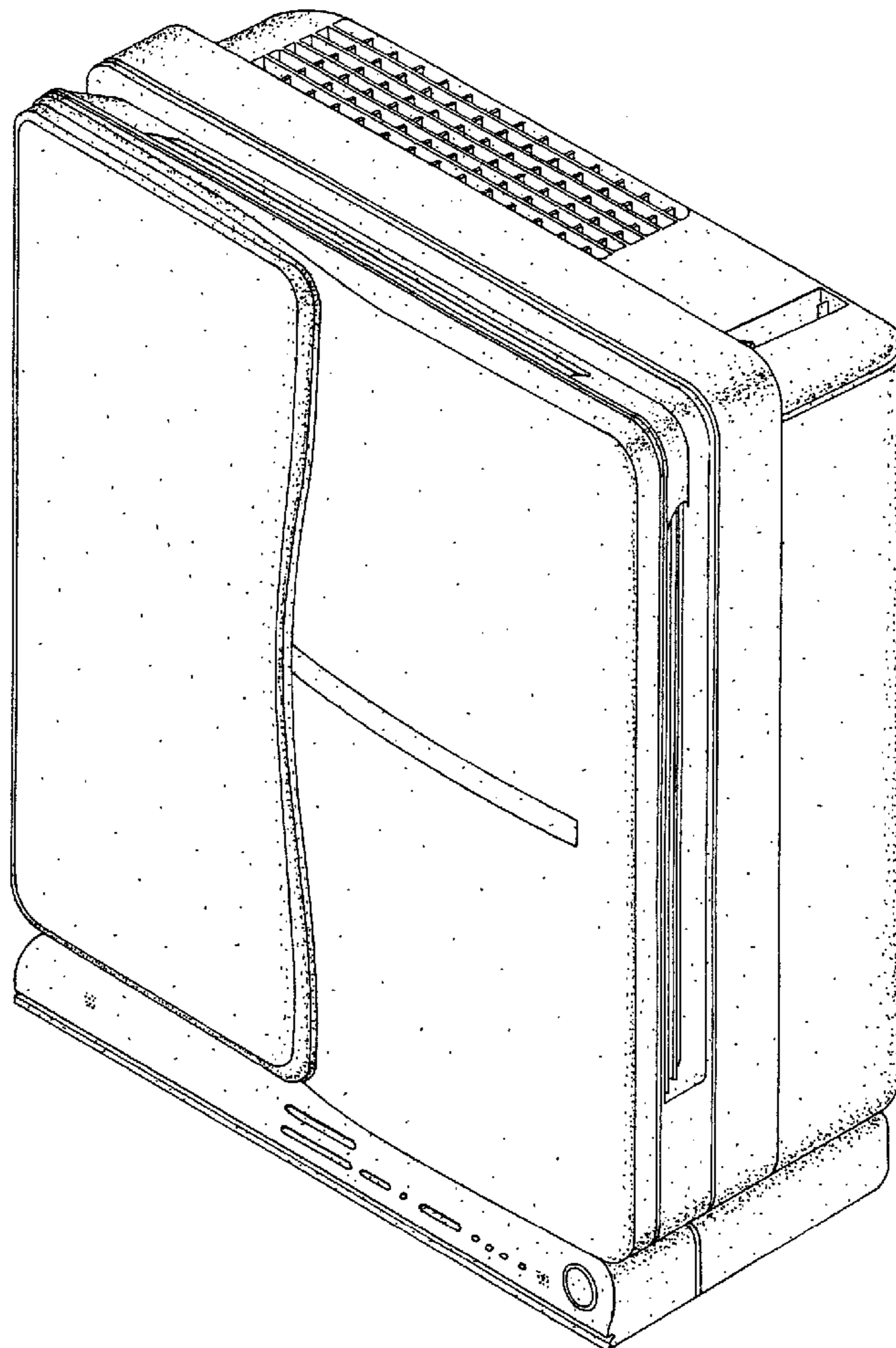
FIG. 1 is a plan view of an air cleaner showing my new design;
FIG. 2 is a front view thereof;
FIG. 3 is a bottom view thereof;
FIG. 4 is a left side view thereof;
FIG. 5 is a right side view thereof;
FIG. 6 is a rear view thereof;
FIG. 7 is a sectional view taken along line 7—7 in FIG. 2;
and,
FIG. 8 is a perspective view thereof.

(56) **References Cited**

U.S. PATENT DOCUMENTS

D450,825 S	*	11/2001	Nakamura et al.	D23/364
D472,626 S	*	4/2003	Nakamura	D23/364
D481,786 S	*	11/2003	Tokunaga	D23/364
D489,801 S	*	5/2004	Shimizu	D23/364
D498,296 S	*	11/2004	Shimizu	D23/364

1 Claim, 5 Drawing Sheets



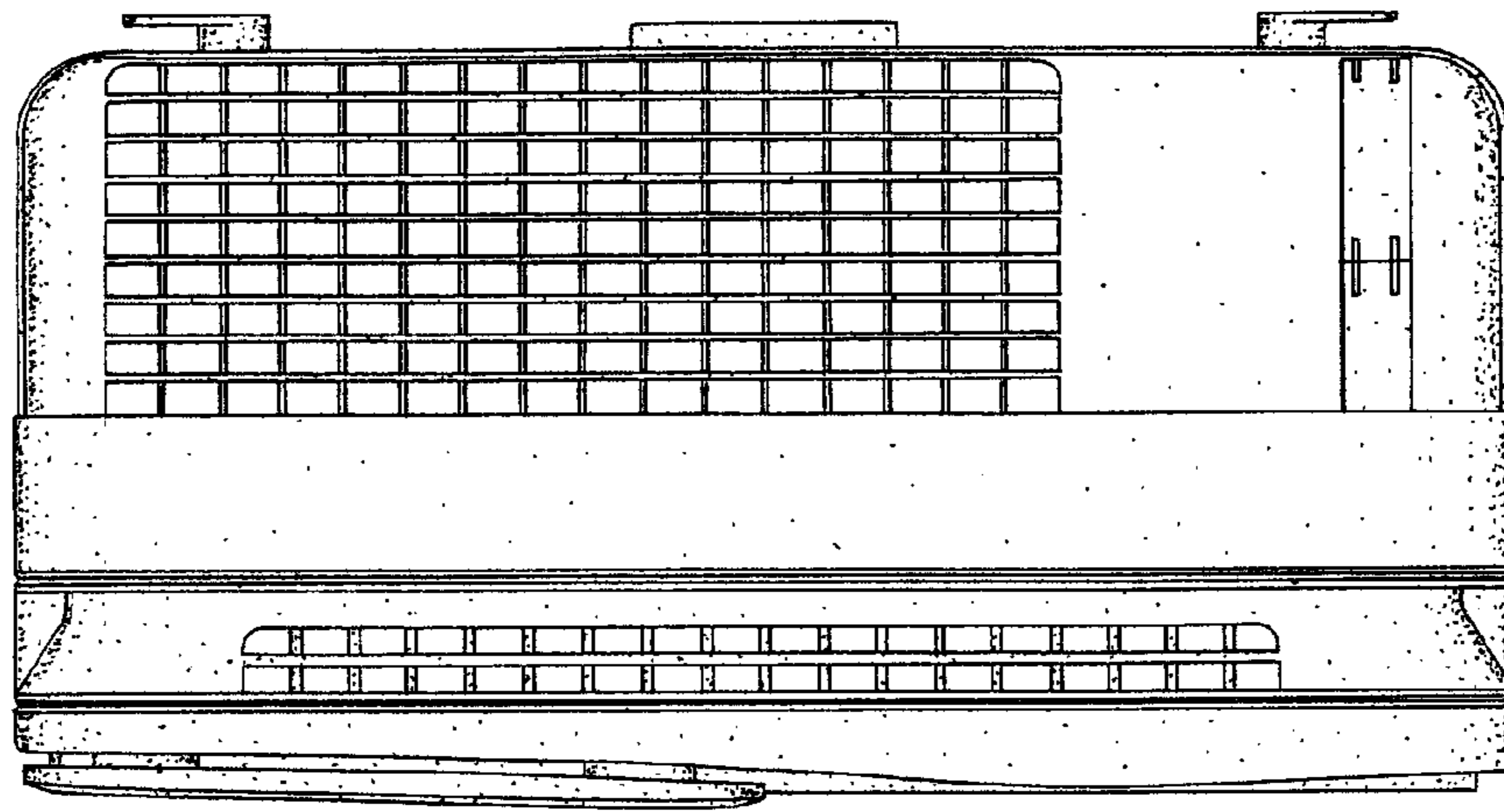


Fig. 1

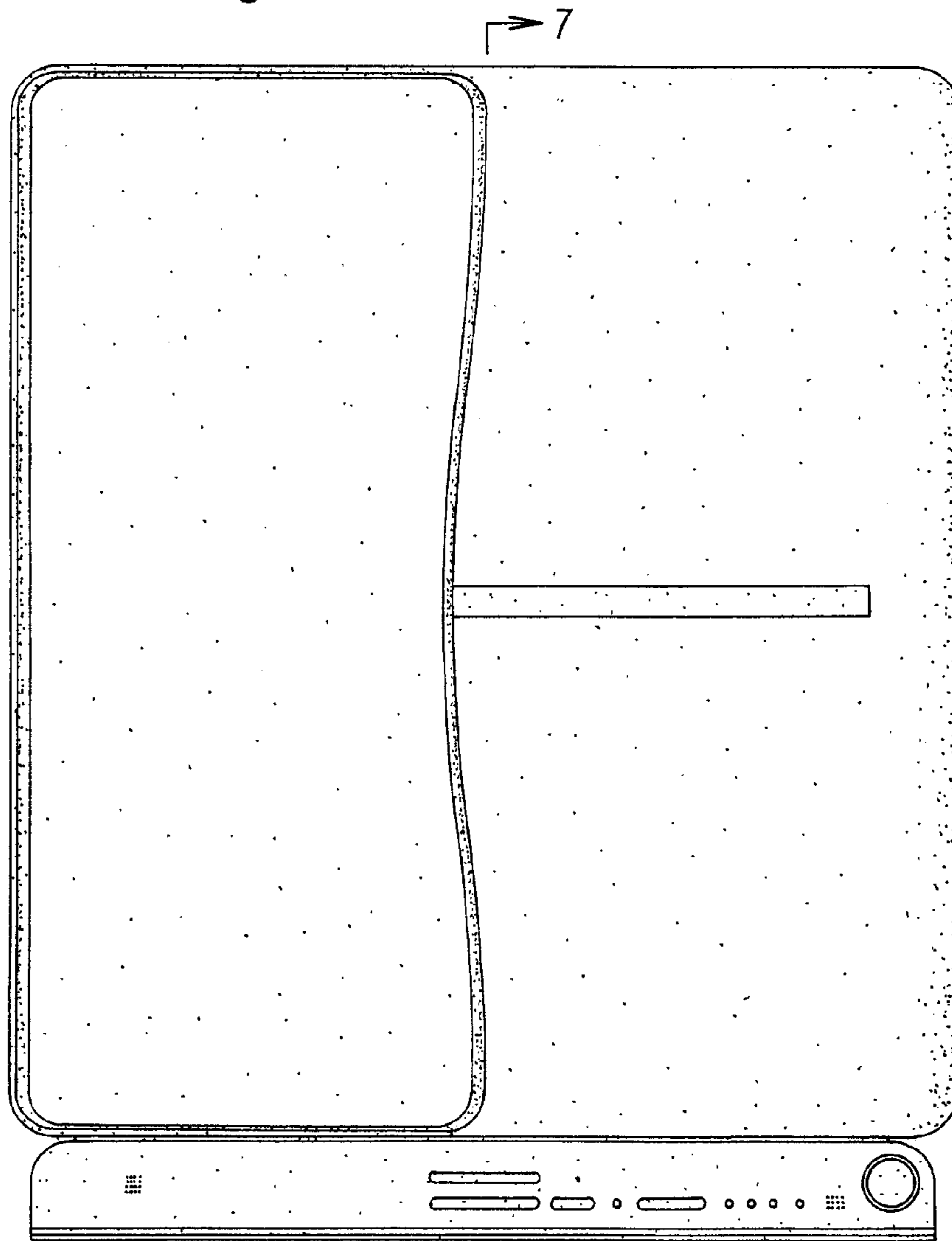


Fig. 2

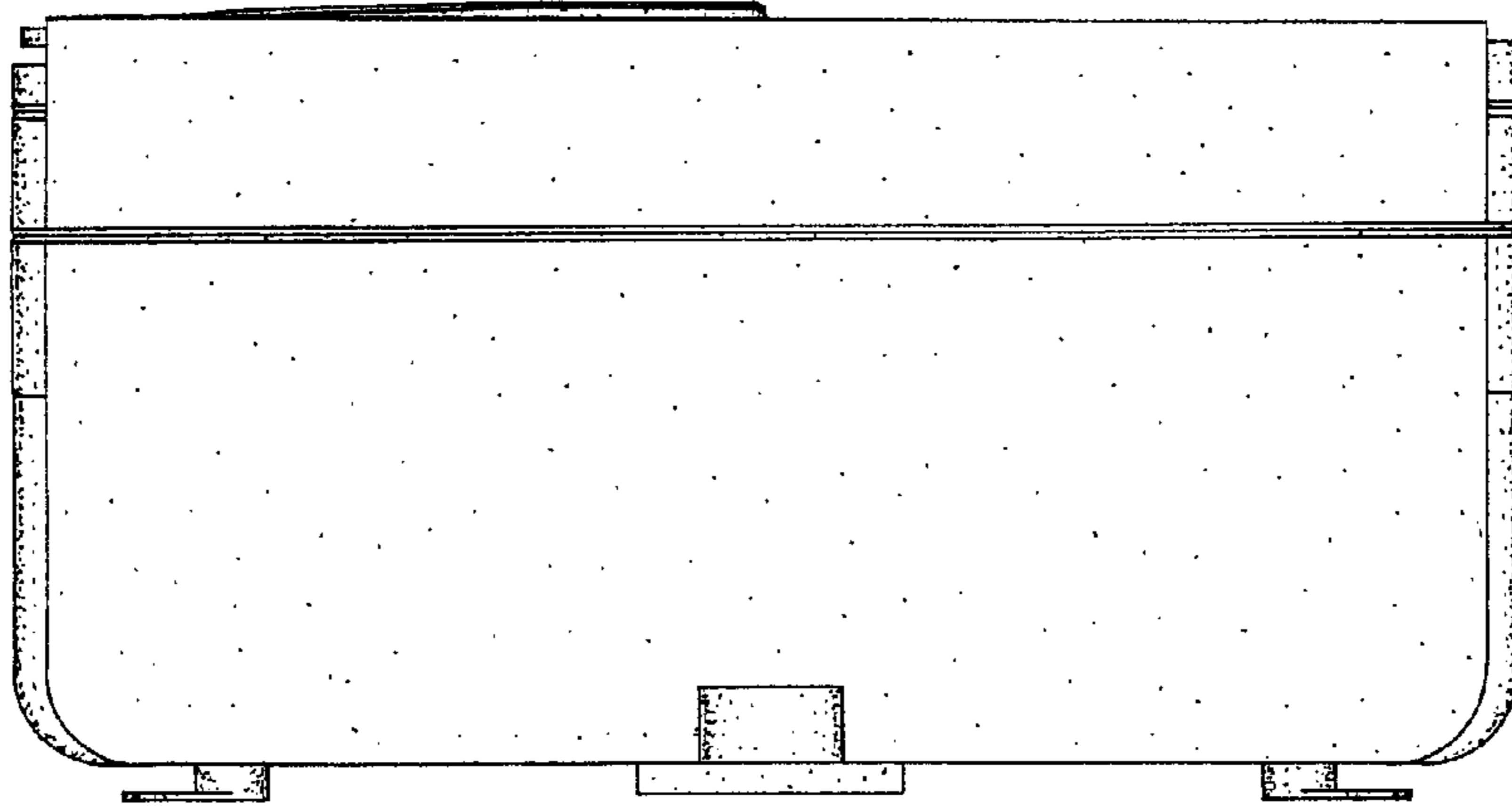


Fig. 3

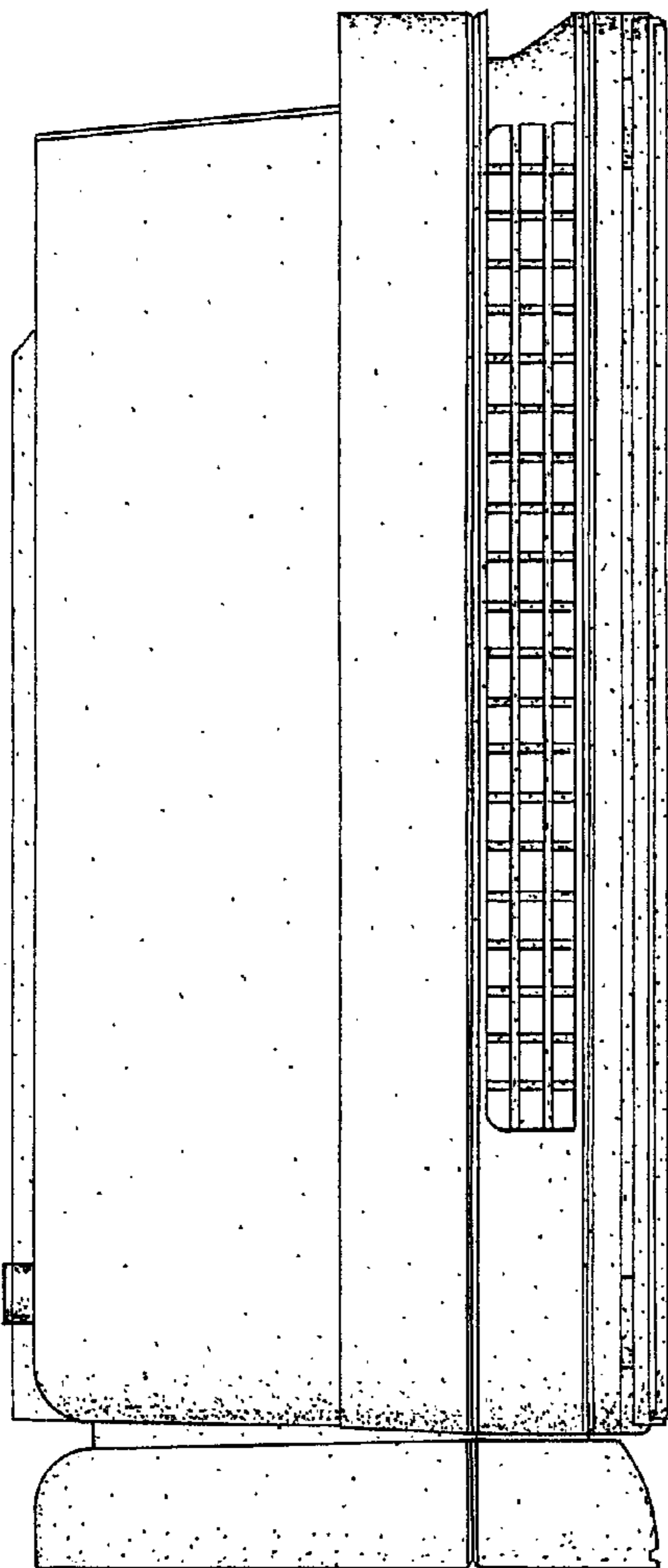


Fig. 4

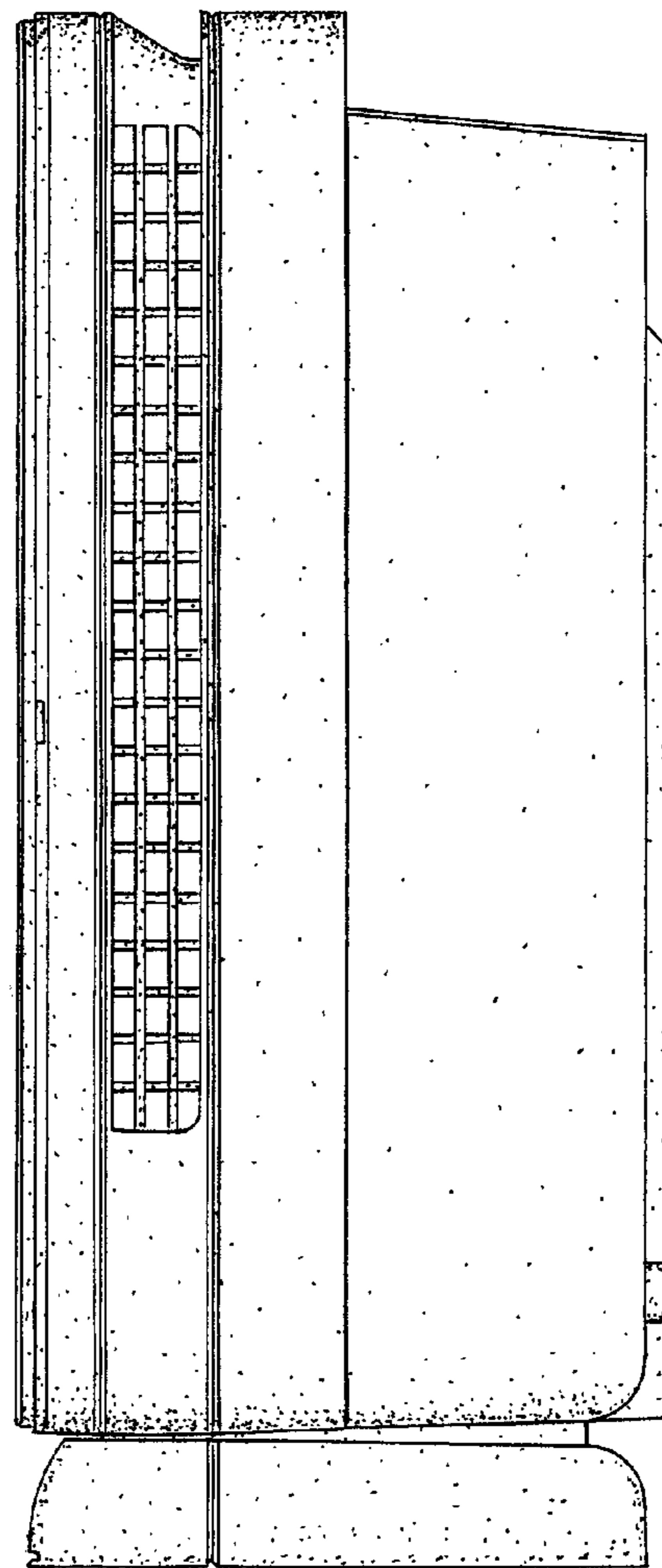


Fig. 5

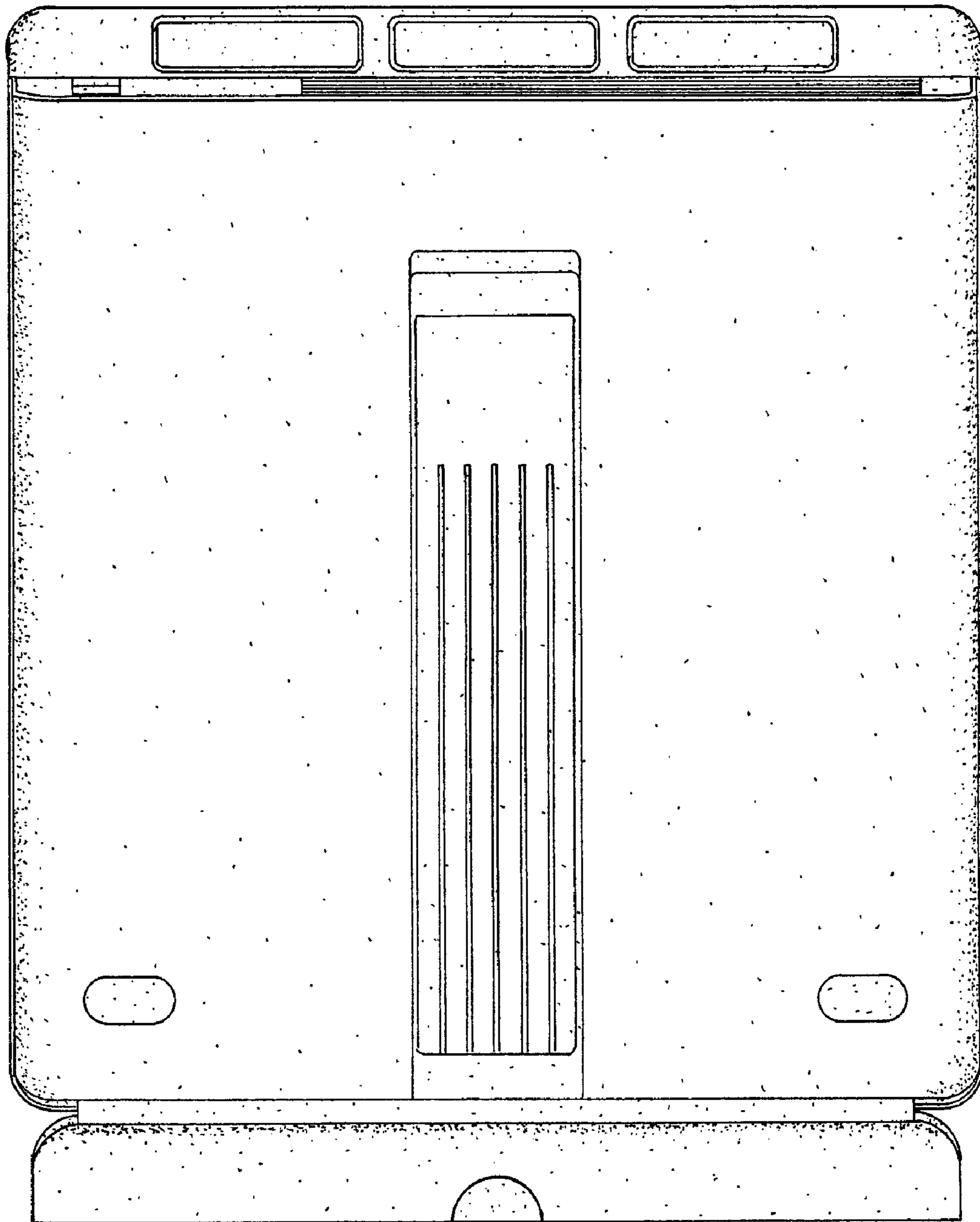


Fig. 6

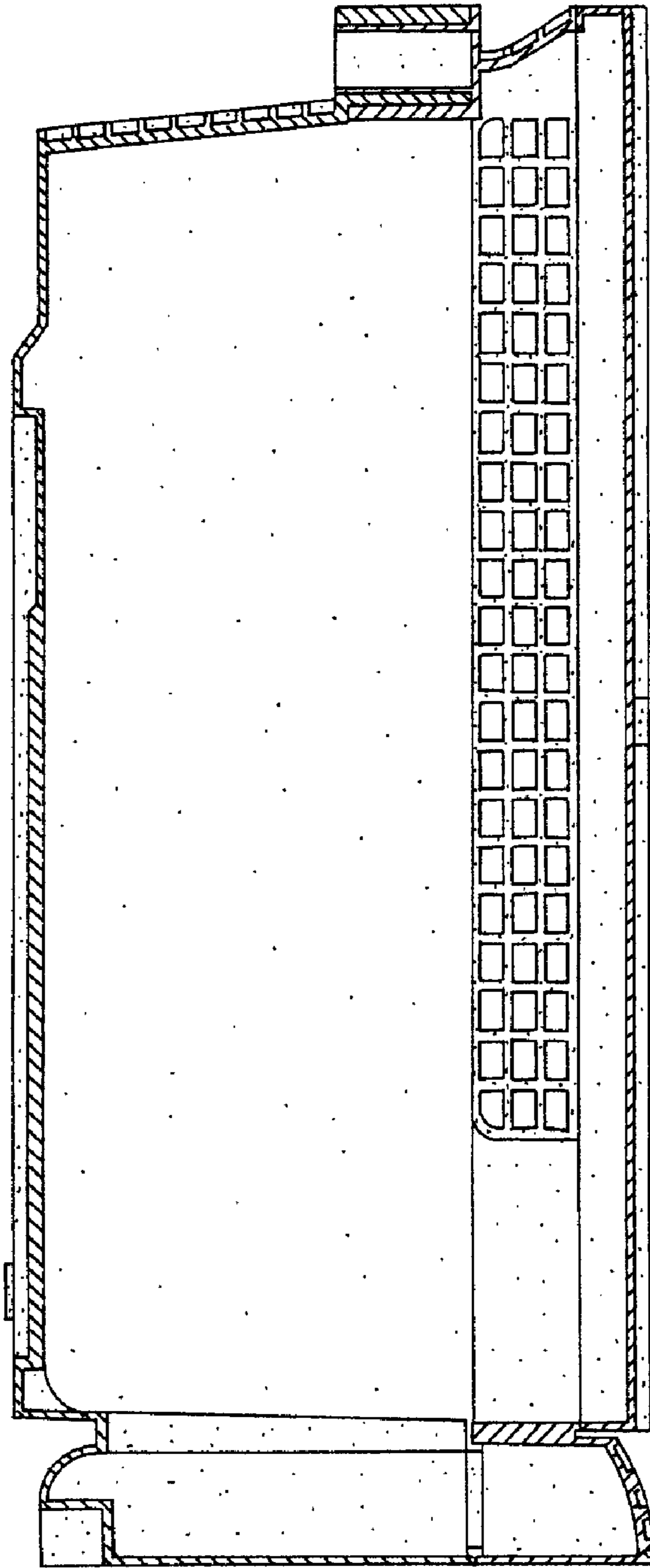


Fig. 7

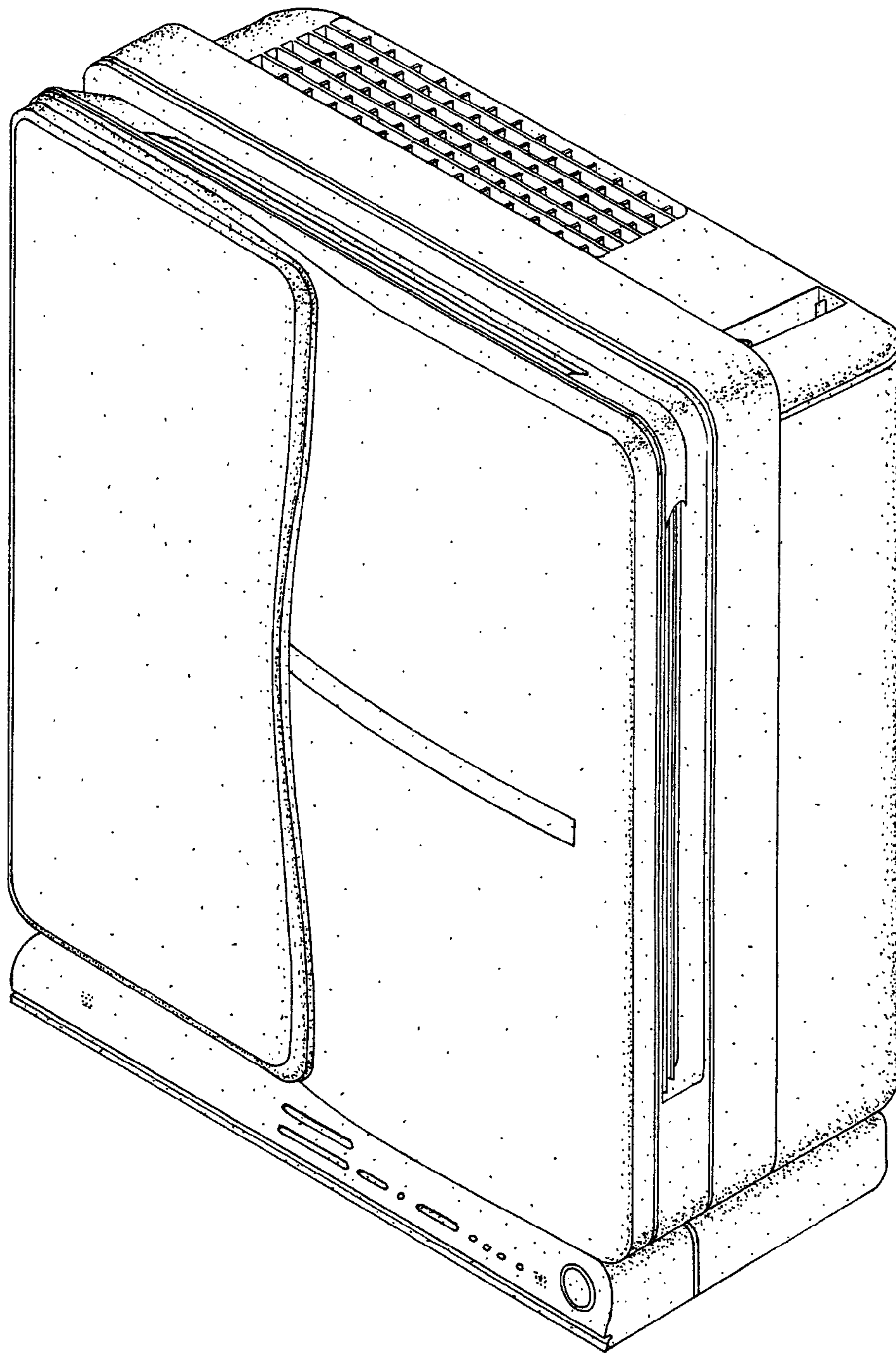


Fig. 8