



US00D513429S

(12) **United States Design Patent**
Fritz

(10) **Patent No.: US D513,429 S**

(45) **Date of Patent: ** *Jan. 3, 2006**

(54) **FLUSH TOILET**

(75) **Inventor: Michael B. Fritz, Dexter, MI (US)**

(73) **Assignee: Thetford Corporation, Ann Arbor, MI (US)**

(*) **Notice:** This patent is subject to a terminal disclaimer.

(**) **Term: 14 Years**

(21) **Appl. No.: 29/194,600**

(22) **Filed: Nov. 26, 2003**

(51) **LOC (8) Cl. 23-02**

(52) **U.S. Cl. D23/299**

(58) **Field of Classification Search** D23/270–271,
D23/273–274, 295, 299, 301, 303, 309; 4/663–664,
4/300, 329, 420, 449, DIG. 15, 443–446,
4/440, 332, 438

See application file for complete search history.

(56) **References Cited**

U.S. PATENT DOCUMENTS

3,883,903 A * 5/1975 Vanden Broek et al. 4/440

3,932,901 A * 1/1976 Inui et al. 4/332

D256,722 S * 9/1980 Sargent et al. D23/295

4,710,988 A * 12/1987 Stewart 4/438

D347,496 S * 5/1994 Wei D23/301

D438,941 S * 3/2001 Selina et al. D23/299

D485,334 S * 1/2004 Fritz D23/309

D485,604 S * 1/2004 Good et al. D23/295

* cited by examiner

Primary Examiner—Robert A. Delehanty

(74) *Attorney, Agent, or Firm*—Harness, Dickey & Pierce, P.L.C.

(57) **CLAIM**

The ornamental design for a flush toilet, as shown and described.

DESCRIPTION

FIG. 1 is a perspective view of a flush toilet showing our new design.

FIG. 2 is a front side view thereof.

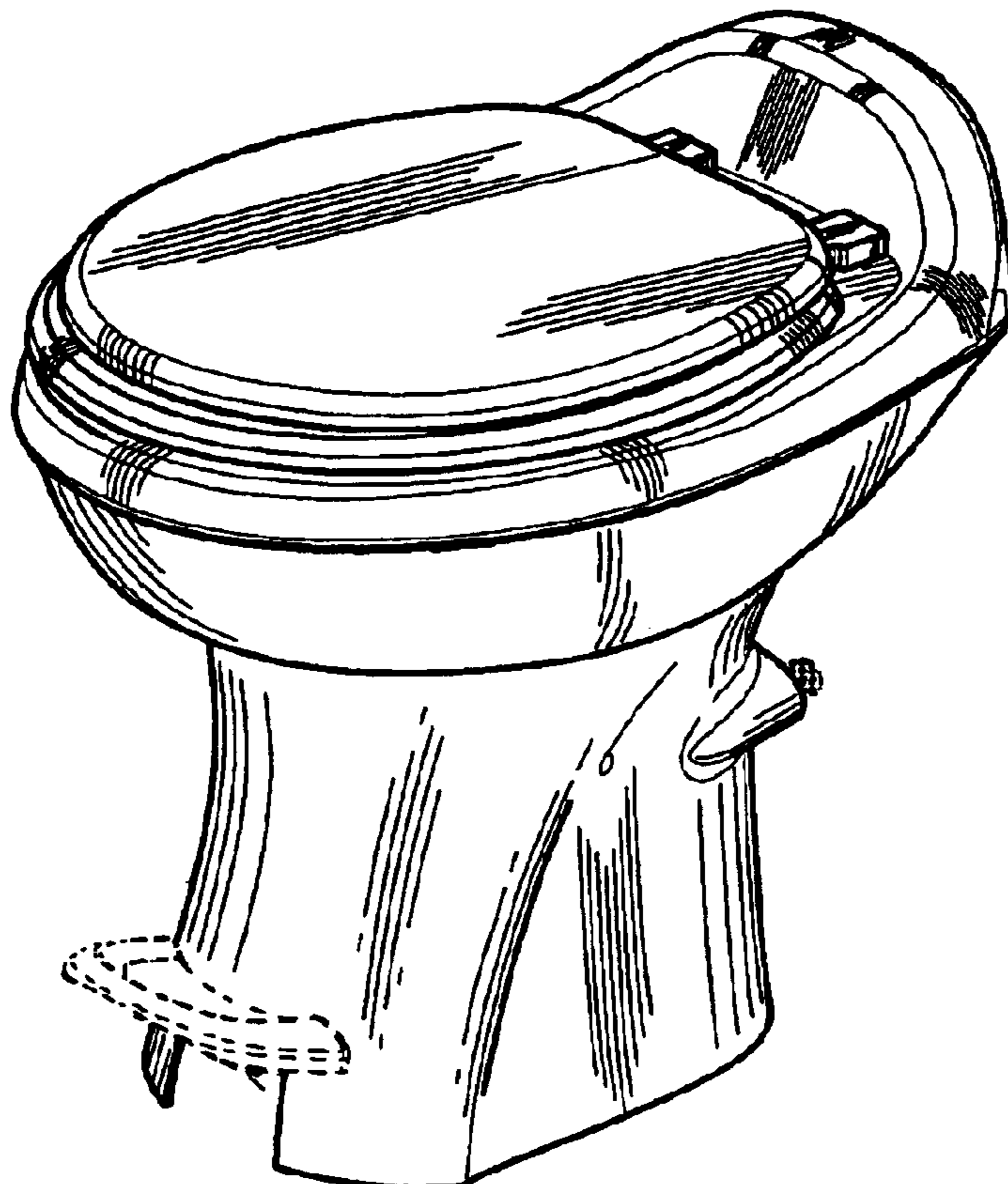
FIG. 3 is a left side view thereof.

FIG. 4 is a right side view thereof; and,

FIG. 5 is a top view thereof.

It will be understood that the broken line showing of the flush toilets throughout the drawings is for illustrative purposes only and forms no part of the subject invention.

1 Claim, 3 Drawing Sheets



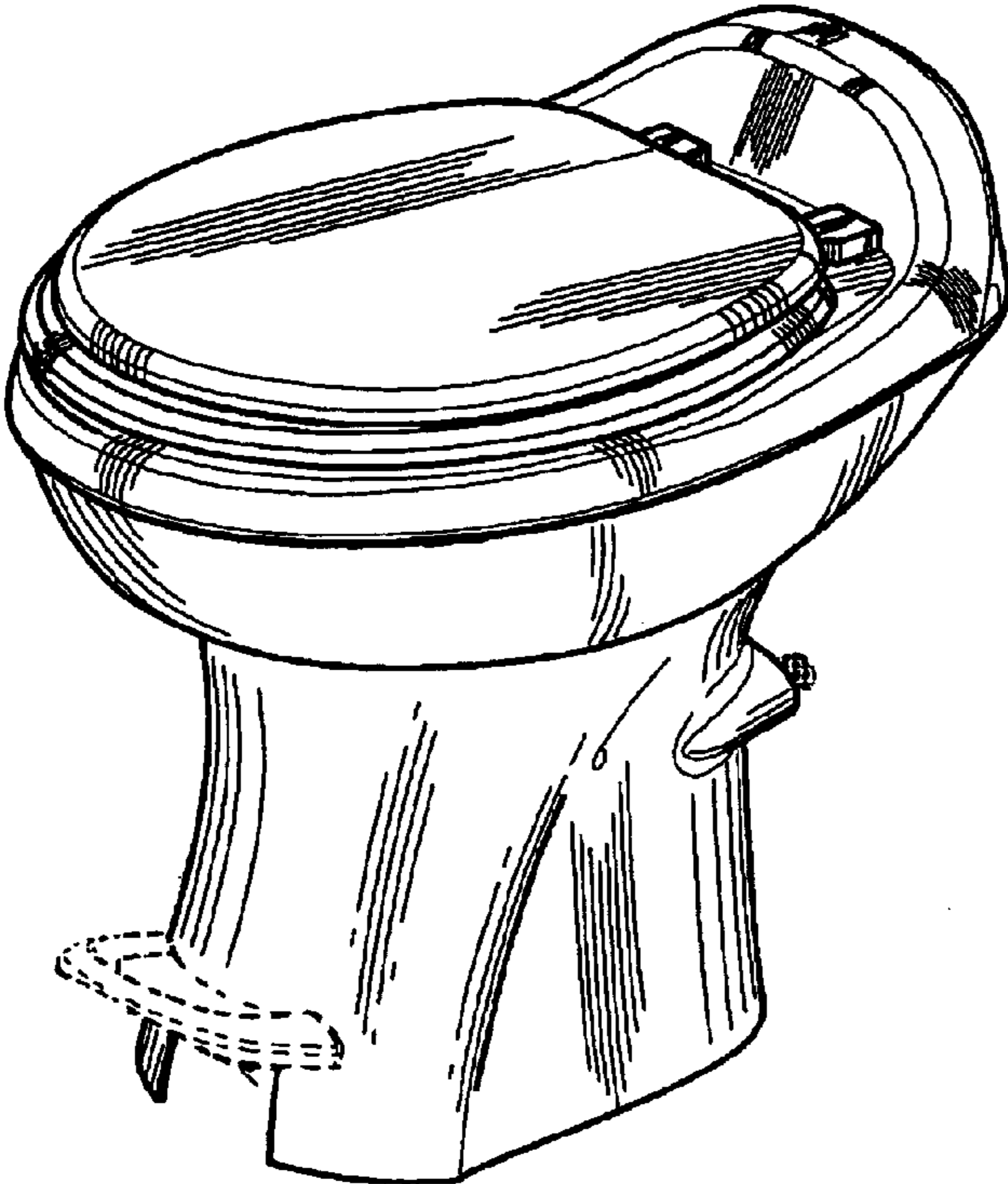


FIG - 1

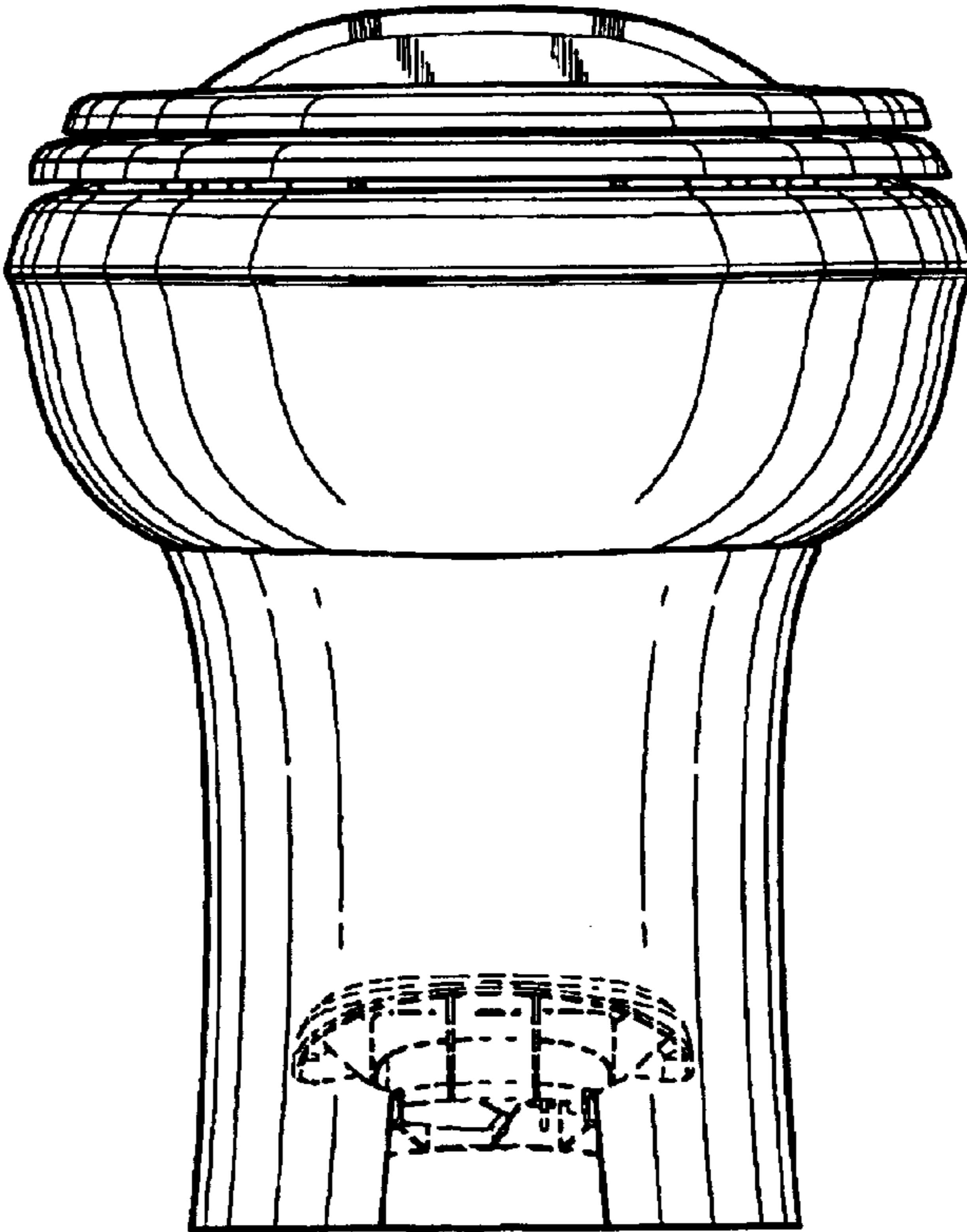


FIG - 2

FIG - 3

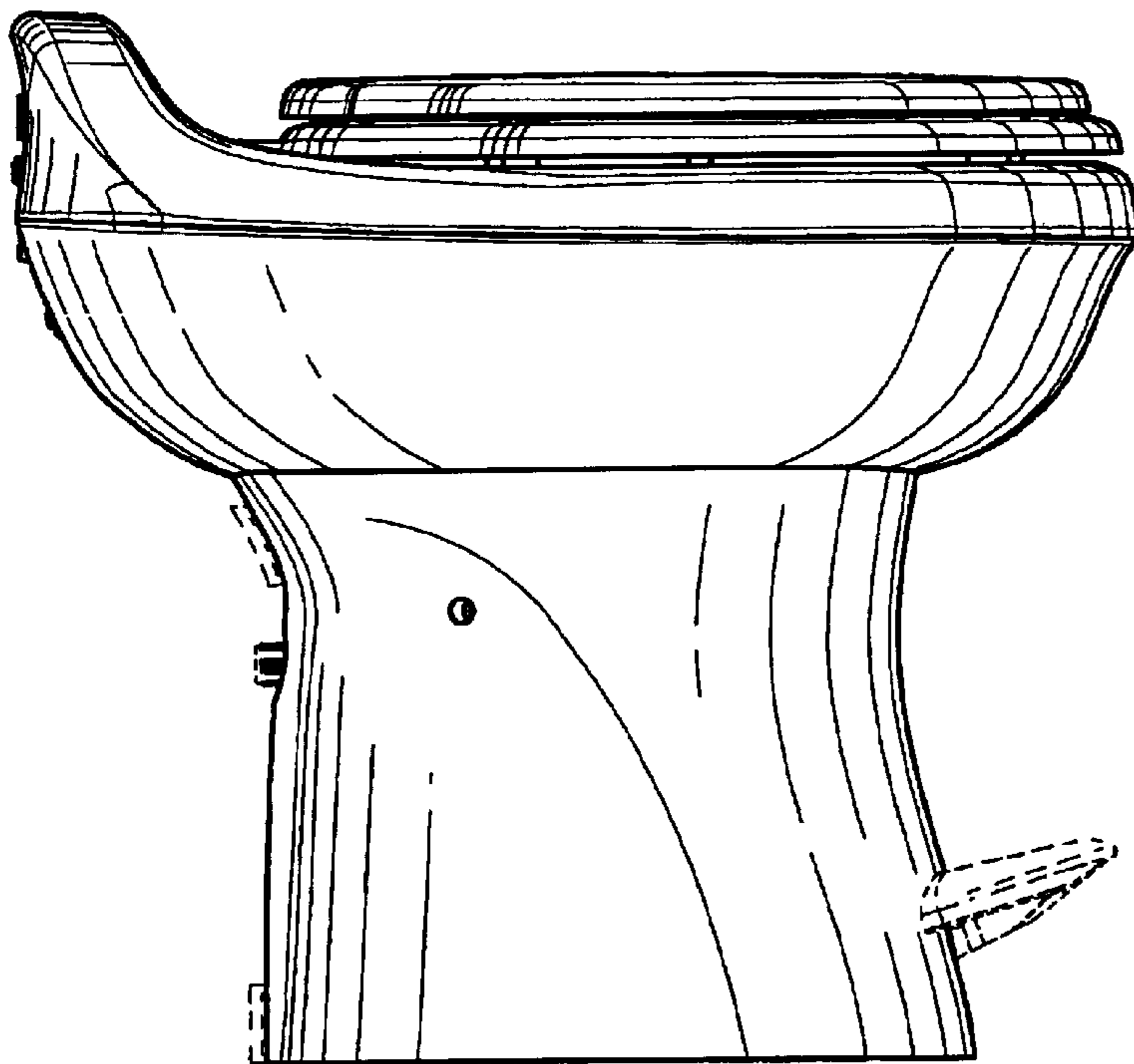
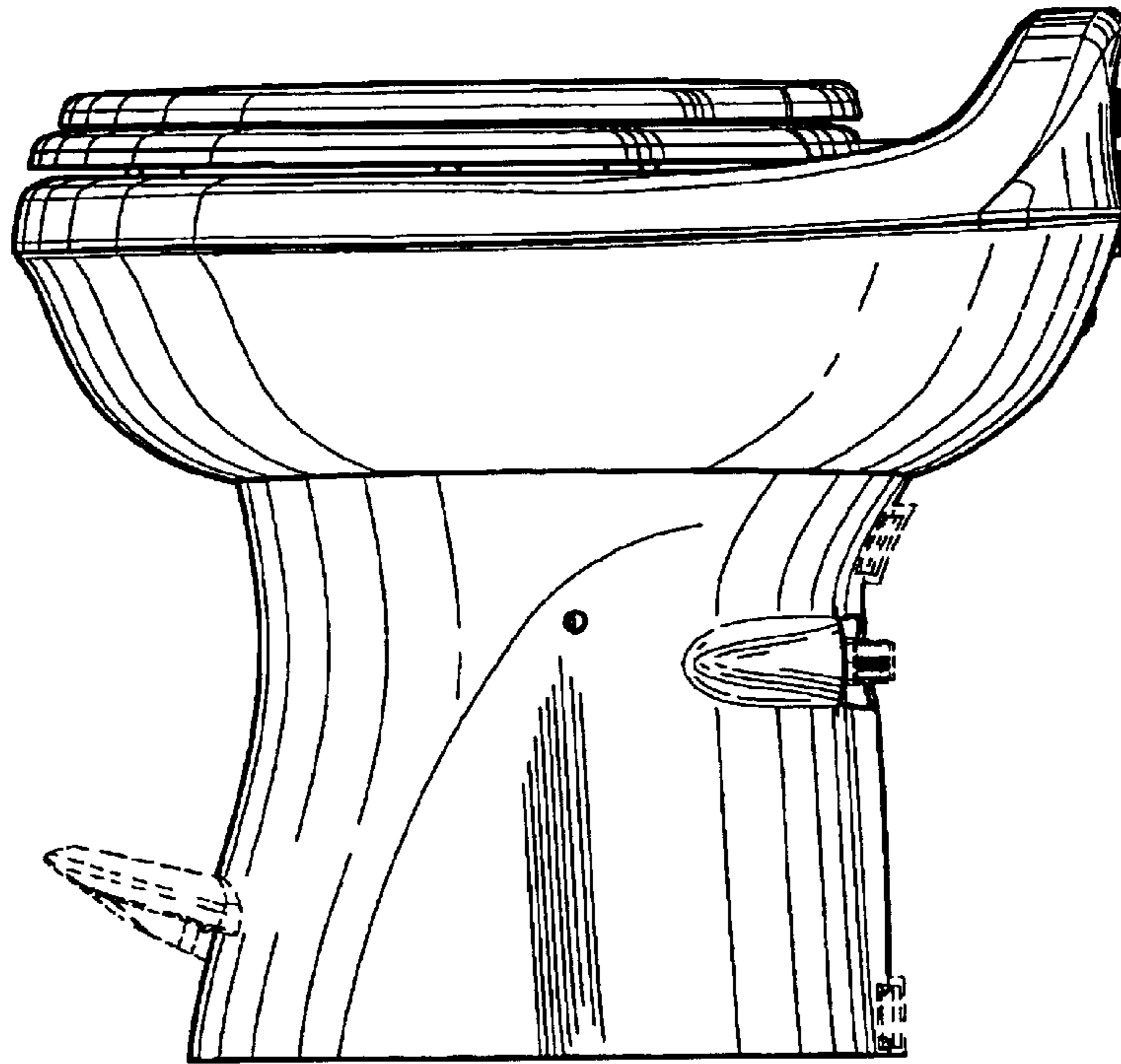


FIG - 4

FIG - 5

